

Polyethylene Pipe Sleeve

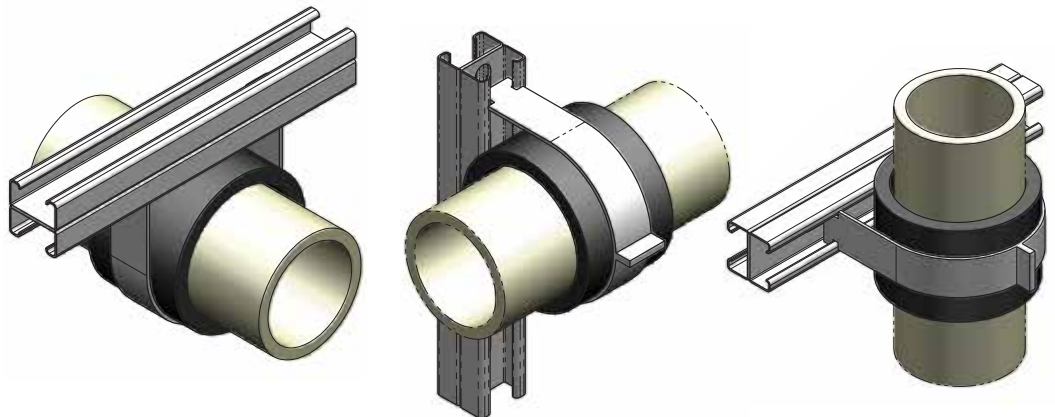
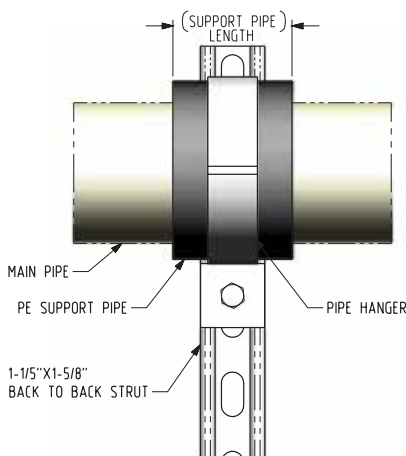


General

The GF pipe sleeves secures pipes without scratching during expansion and/or contraction and allow for free movement. They are offered in two lengths and multiple diameters and can be used with a variety of clamps. Available for IPS and metric pipe sizes for use with many materials, including PVC, PVDF, PP, and our Contain-It™ double containment system.

Features

- Available in 4" and 12" lengths.
- Easy installation
- Can be mounted in horizontal or vertical runs



HDPE Pipe Sleeve

For use with Contain-It							
Size	Inside pipe O.D. mm	Sleeve O.D. mm	Sleeve I.D. mm	Length mm (inch)	Part #	Length mm (inch)	Part #
3"	90.2	110.0	94.0	100 (4)	153484003	300 (12)	153484023
4"	107.2	125.0	110.8	100 (4)	153484004	300 (12)	153484024
6"	159.5	200.0	163.6	100 (4)	153484005	300 (12)	153484023
For use with PVC							
Size	Inside pipe O.D. mm	Sleeve O.D. mm	Sleeve I.D. mm	Length mm (inch)	Part #	Length mm (inch)	Part #
2"	60.5	75.0	63.6	100 (4)	150484001	300 (12)	150484021
2½"	73.2	88.9	76.4	100 (4)	150484002	300 (12)	150484022
3"	89.0	110.0	92.3	100 (4)	150484003	300 (12)	150484023
4"	114.3	140.0	117.7	100 (4)	150484004	300 (12)	150484024
6"	168.2	200.0	173.2	100 (4)	150484005	300 (12)	150484025
8"	219.0	273.0	224.0	100 (4)	150484006	300 (12)	150484026
10"	273.0	315.0	278.0	100 (4)	150484007	300 (12)	150484027
12"	324.0	400.0	328.8	100 (4)	150484008	300 (12)	150484028
For use with PP or PVDF with no insulation							
Size	Inside pipe O.D. mm	Sleeve O.D. mm	Sleeve I.D. mm	Length mm (inch)	Part #	Length mm (inch)	Part #
20	20	25.0	23.4	100 (4)	157484001	300 (12)	157484021
25	25	32.0	28.4	100 (4)	157484002	300 (12)	157484022
32	32	40.0	35.4	100 (4)	157484003	300 (12)	157484023
40	40	50.0	43.4	100 (4)	157484004	300 (12)	157484024
50	50	63.0	53.3	100 (4)	157484005	300 (12)	157484025
63	63	75.0	66.4	100 (4)	157484006	300 (12)	157484026
90	90	110.0	93.4	100 (4)	157484007	300 (12)	157484027
110	110	125.0	113.4	100 (4)	157484008	300 (12)	157484028
160	160	200.0	164.5	100 (4)	157484009	300 (12)	157484029
200	200	225.0	204.8	100 (4)	157484010	300 (12)	157484030
225	225	273.1	230.1	100 (4)	157484011	300 (12)	157484031
250	250	273.1	255.3	100 (4)	157484012	300 (12)	157484032
315	315	356.6	317.5	100 (4)	157484013	300 (12)	157484033
For use with PP or PVDF with insulation							
Size	Inside pipe O.D. mm	Sleeve O.D. mm	Sleeve I.D. mm	Length mm (inch)	Part #	Length mm (inch)	Part #
20	20	60.3	48.8	100 (4)	157484041	300 (12)	157484061
25	25	60.3	53.7	100 (4)	157484042	300 (12)	157484062
32	32	75.0	60.7	100 (4)	157484043	300 (12)	157484063
40	40	75.0	68.8	100 (4)	157484044	300 (12)	157484064
50	50	88.9	78.9	100 (4)	157484045	300 (12)	157484065
63	63	110.0	91.8	100 (4)	157484046	300 (12)	157484066
90	90	140.0	118.8	100 (4)	157484047	300 (12)	157484067
110	110	168.3	138.8	100 (4)	157484048	300 (12)	157484068
160	160	225.0	189.9	100 (4)	157484049	300 (12)	157484069
200	200	250.0	230.2	100 (4)	157484050	300 (12)	157484070
225	225	273.1	255.5	100 (4)	157484051	300 (12)	157484071
250	250	323.9	280.7	100 (4)	157484052	300 (12)	157484072
315	315	406.4	345.9	100 (4)	157484053	300 (12)	157484073

GF Piping Systems

Tel. (714) 731-8800, Toll Free (800) 854-4090, Fax (714) 731-6201

us.ps@georgfischer.com, www.gfpiping.com

