

Product Range

SYGEF PVDF



System range

More than a system

With a constant focus on maximum reliability and safety the SYGEF system assures a sustained high level of product quality and outstanding performance for high-end applications.

SYGEF system range

Products	SDR	DN	d																			
			16	20	25	32	40	50	63	75	90	110	125	140	160	200	225	250	280	315	355	400
Pipes	21	16	SYGEF Plus																			
	33	10	SYGEF Select																			
Socket fusion fittings		16	SYGEF Standard																			
Butt fusion fittings (IR and BCF compatible)	21	16	SYGEF Plus																			
	33	10	SYGEF Select																			
Ball valves		16	SYGEF Standard																			
		10	SYGEF Select																			
Diaphragm valves		16	upon request																			
		10	SYGEF Select																			
Butterfly valves		10	SYGEF Plus																			
Check valves		16	SYGEF Standard																			
		10	SYGEF Select																			
Pressure regulating valves		10	SYGEF Plus																			
Ventilating- and bleed valves		16	SYGEF Standard																			
Automation			SYGEF Plus																			
Flanges			SYGEF Standard																			
Flange seal			SYGEF Plus																			
Pipe clips			SYGEF Standard																			
IR fusion machine			SYGEF Plus																			
BCF fusion machine			SYGEF Standard																			
			**																			
Butt fusion machine*			SYGEF Standard																			
Socket fusion machine			SYGEF Standard																			

SYGEF Standard
 SYGEF Select
 SYGEF Plus

* Technically possible but not recommended for SYGEF PVDF
 ** Technically possible, special training required

System specifications



	SYGEF Standard	SYGEF Plus
Material	PVDF	virgin High Purity PVDF (PVDF-HP)
Color	opaque	opaque
Density	~1.78 g/cm ³ (EN ISO 1183)	~1.78 g/cm ³ (EN ISO 1183)
Thermal expansion coefficient	0.12–0.18 mm / m K (DIN 53752)	0.12–0.18 mm / m K (DIN 53752)
Thermal conductivity at 23 °C	0.19 W / m K (EN 12664)	0.19 W / m K (EN 12664)
Yield stress at 23 °C	≥ 48 N / mm ² (EN ISO 527)	≥ 48 N / mm ² (EN ISO 527)
Tensile e-modulus at 23 °C	≥ 1 800 N / mm ² (EN ISO 527/ASTM D790)	≥ 1 800 N / mm ² (ISO 527/ASTM D790)
Charpy notched impact strength at 23 °C	≥ 8 kJ / m ² (EN ISO 179)	≥ 8 kJ / m ² (EN ISO 179)
Dimensions	d16–d315 in accordance to ISO 10931	d20–d400 in accordance to ISO 10931
Temperature rating	from -20 °C to 140 °C (-4 °F to 284 °F)	
Production	<ul style="list-style-type: none"> - Pipes: extruded - Fittings: injection moulded / machined - Valves: injection moulded (additional oil free treated and paint compatible / silicon free) 	<ul style="list-style-type: none"> - Pipes: extruded - Fittings / Valves: injection moulded / machined - Produced under clean room class 5 (100) conditions. Subsequent assembling, quality inspection and cleaning by using 18MΩ pure water under clean room conditions class 5 (100).
Surface finish Compliant to Semi F57	Inner surface Ra < 0.5 µm (20µin) for injection moulded and extruded components	Inner surface (PN10/ SDR33): d ≤ 225 Ra ≤ 0.2 µm (8µin) d = 250 Ra ≤ 0.3 µm (12µin) d280–315 Ra ≤ 0.4 µm (16µin) d355–400 Ra ≤ 0.65 µm (26µin) for injection moulded and extruded components
Internal stress	Pipes: ≤ 2.5 N / mm ² ; stress relieved by thermal annealing during manufacturing	
Material and product approvals	DIBt FM-4910 listed cleanroom material FDA CFR 21 177.2510; EU 10/2011 USP 25 class VI (physiological non-toxic) ASME BPE	SEMI F57 FM-4910 listed cleanroom material DIBt FDA CFR 21 177.2510; EU 10/2011 USP 25 class VI (physiological non-toxic) ASME BPE
Packing	Pipes capped and multiple components single bagged in a specified bag	Pipes capped and each component double bagged in a specific inner and outer bag under clean room class 5 (100) conditions
Marking and labeling	All components are embossed with a permanent identification during the production process to ensure full traceability:	
	<ul style="list-style-type: none"> - Brand name - Material - Dimensions - Pressure rating 	<ul style="list-style-type: none"> - Lot No. - Product description - Article number - Standard and approvals



Exceeding your standards of quality

Technical specifications with focus on pressure, temperature and high purity attributes

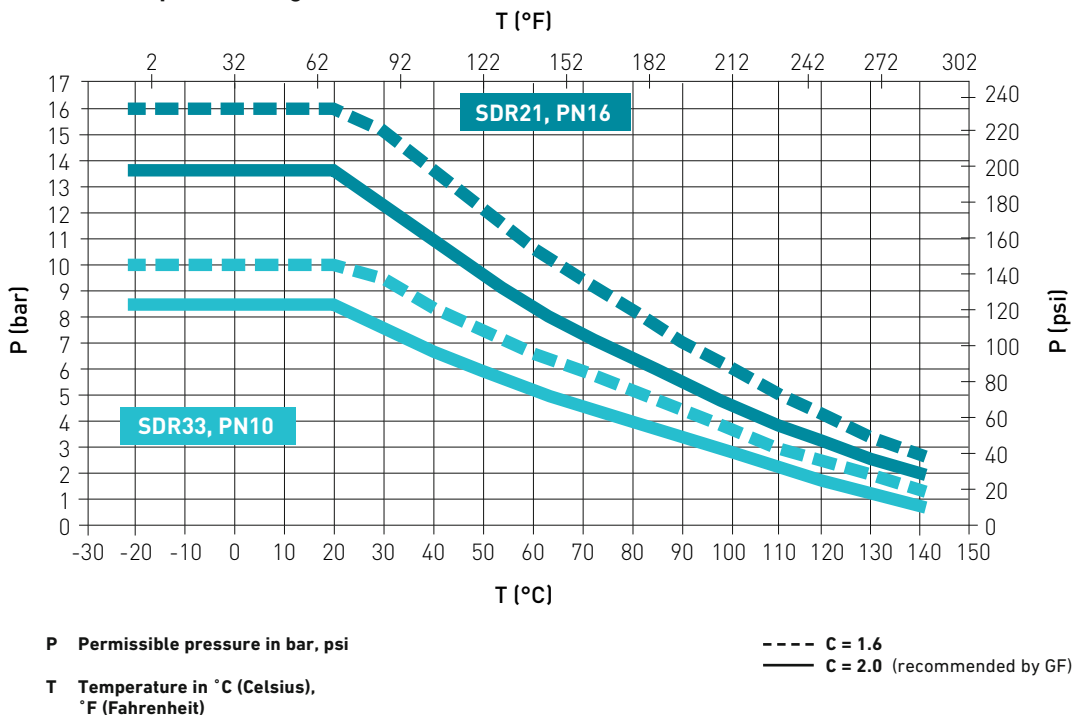
Excellent pressure/temperature performance

SYGEF PVDF is a thermoplastic fluoropolymer with a melting point above 175 °C and a wide service temperature range from -20 °C to 140 °C. SYGEF systems are ideal for use in aggressive chemical or ultrapure water systems since they are generally considered inert, have high strength and stiffness, and are readily weldable into system components.

Sterilization / sanitization / cleaning

Due to its outstanding material properties, our SYGEF systems are suitable for a broad range of sterilization or cleaning methods using steam, hot water, ozone and chemicals.

Pressure-temperature diagram



The pressure/ temperature curve based on medium water, operating temperature of 20°C, valid life time of 25 years and the design factor of C = 2.0 or C = 1.6 respectively

More information regarding technical specifications can be found online in our planning fundamentals: www.gfps.com

High tech factory Ettenheim / Germany

SYGEF cleanroom production

All SYGEF components are manufactured in the world's largest cleanroom factory for fluoropolymer products in Ettenheim.

GF Piping Systems played a major role in establishing the relevant standards SEMI F40, F48 and F57 for polymer component testing. Due to long experience and continuous improvements SYGEF Plus pipes, fittings and valves are exceeding these requirements to increase our customers' yield. SYGEF Plus products are strictly fulfilling the strong requirements of the IRDS roadmap* in order to be prepared for upcoming, even more demanding processes in the future.



Fully controlled environment

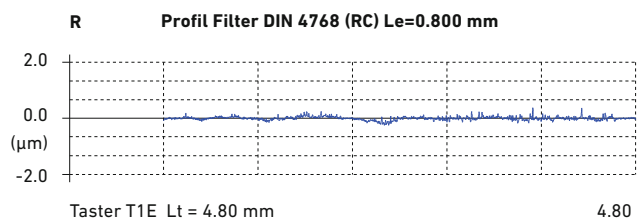
The SYGEF production area includes 5600m² cleanroom: 4000m² class 7 (10000), 1000m² class 6 (1000) and 600m² class 5 (100) in operation. All cleanrooms are continuously monitored and audited internally and by external companies. The microbiological and specified particle measurements are fully documented with a unique quality assurance (QA) system.

Ultrapure water plant

Cleaning and rinsing of components with water of impeccable quality assures a constantly high level of cleanliness. SYGEF Plus products are subject to regular leach-out controls. Elementary system impurities like metals, anions and TOC** are constantly monitored to exceed SEMI F57 requirements to warrant the highest possible system performance in use.

Surface quality

Smooth surfaces are achieved due to special equipment design, proper tooling material's selection, mirror finish surface of inner cores and preventive maintenance schedule. Thereby for all SYGEF Plus products the inner surface roughness according SEMI F57 is surpassed.



Inner surface roughness measured at a SYGEF Plus T90° equal d250 SDR33 / PN10



Process expertise

Operating staff has in-depth process knowledge and over 45 years of experience in manufacturing products under strictly controlled cleanroom conditions. With regular internal trainings we ensure that our production team keeps always the highest performance and has the latest insights. All the injection molding machines and extrusion lines are developed by using the latest innovations and technologies.

Quality Assurance

The safe delivery to jobsite and traceability of the finished product back to the raw material batch are ensured through completely controlled processes. All relevant data are archived in an internal QA database and electronically available for statistical researches.

Safe and reliable system

Quality control is an integral part in every step of the high purity chain. Therefore each SYGEF Plus component is 100% visually inspected, including overall cleanliness, surface appearance and imperfections in accordance to internal specifications.

All mechanical testing takes place in matchless Swiss federally accredited lab facility and external certificated labs. Together with unsurpassed installation equipment GF Piping Systems is superior regarding ovality, internal stress level and warpage. These key factors are able to influence the weld strength which leads to a longer system lifetime and a higher safety.



* IRDS: International Roadmap for Devices and Systems

** TOC: Total Organic Carbon

Chemical resistance

For your operational safety

Polyvinylidene fluoride (PVDF) – a high quality material



Professional material technology

Chemical resistance at 20 °C (Applications can be very dependent on the concentration)		Partially crystalline thermoplastics			Amorphous thermoplastics		Stainless steel	
		PVDF	PE	PP	PVC-U	PVC-C	1.4401 316	1.4301 304
Media	Chemicals							
Oxidizing acids (HNO ₃ , H ₂ CrO ₄ , H ₂ SO ₄ , etc.)	HNO ₃ ≤ 25 %	+	0	0	+	+	0	0
	25 % ≤ HNO ₃ ≤ 65 %	+	0	-	0	+	0	0
	H ₂ CrO ₄ aqueous solution	+	0	0	0	0	0	0
	H ₂ SO ₄ ≤ 70 %	+	+	+	+	+	-	-
Non oxidizing acids (HCl, HF, etc.)	70 % ≤ H ₂ SO ₄ ≤ 96 %	+	-	-	+	+	-	-
	HCl ≤ 30 %	+	+	+	+	+	0	-
	HF ≤ 40 %	+	+	+	+	-	0	-
Organic (formic acid, acetic acid, citric acid, etc.)	40 % ≤ HF ≤ 75 %	+	+	+	-	-	-	-
	HCOOH ≤ 25 %	+	+	+	+	+	0	-
	25 % ≤ HCOOH ≤ tech. pure	+	+	+	+	-	0	-
	CH ₃ COOH ≤ 50 %	+	+	+	+	+	0	-
Bases	50 % ≤ CH ₃ COOH ≤ tech. pure	+	+	+	0	-	0	-
	C ₃ H ₄ OH (COOH) ₃	+	+	+	+	+	0	-
	Inorganic (NaOH, KOH, etc.)	-	+	+	+	0	+	+
Salts	Organic (amine, imidazole, etc.)	-	+	+	0	-	0	0
	NaCl, FeCl ₂ , FeCl ₃ , CaCl ₂ , etc.	+	+	+	+	+	0	0
Halogens	Chlorine, bromine, iodine, (no fluorine)	0	-	-	0	0	0	-
	Aliphatic hydrocarbons	+	0	0	+	0	+	+
Fuels / oils	Aromatic hydrocarbons	+	-	-	-	-	+	+
	Chlorinated hydrocarbons	0	-	-	-	-	0	0
	Ketones	0	+	+	-	-	+	+
	Alcohols	+	+	+	0	-	+	+
Solvents	Esters	0	0	0	-	-	+	+
	Aldehydes	-	+	+	-	-	+	+
	Phenols	+	+	+	-	-	+	-

+ resistant 0 conditionally resistant, please consult us - not resistant

Please note: The above list is only intended as a guideline and does not replace an indepth review of material suitability for the particular application. The information is based on our experience and is state of the art. These data are general indicators only. In practice, however, other factors such as concentration, pressure and jointing technology must also be taken into consideration. The technical data are not binding and are not expressly warranted characteristics of the goods.

Please contact us for help in selecting the right materials.

Table of contents

SYGEF Standard Pipes	12
SYGEF Standard Fittings	14
SYGEF Standard Valves	48
SYGEF Plus Pipes	280
SYGEF Plus Fittings	282
SYGEF Plus Valves	323
Accessories	356
Fusion machines and tools	361

SYGEF Standard



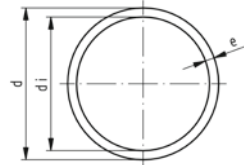
SYGEF Standard – System specification

Material	Polyvinylidene fluoride (PVDF)
Colour	opaque
Density	~1.78 g/cm ³ (ISO 1183 / ASTM D 792)
Surface tension	30–35 mJ/m ²
Thermal expansion coefficient	0.12–0.18 mm/mK (DIN 53752)
E-modulus	≥1800 N/mm ² (EN ISO 527 / ASTM D 790)
Thermal conductivity	0.19 W/mK (EN12664)
Surface resistivity	5 x 10 ⁻¹⁴ Ωcm (IEC 60093)
Dimension	d16 (3/8")–d315 (12") in accordance to ISO 10931
Pressure rating	Pipes/fittings: PN16 (d16–d 315), PN10 (d90–d315) Valves: separate specification
Temperature rating	From –20 °C to +140 °C (-4 °F to +284 °F)
Production	Fittings/valves: injection moulded Pipes: extruded Valves: injection moulded (additional available oil free treated and paint compatible / silicon free)
Surface finish	Inner surface Ra ≤ 0.5 µm (20 µin) for injection moulded and extruded components
Marking	All components are embossed with a permanent identification during the production process to ensure full traceability. Lot No Material Dimension Pressure Rating
Testing and inspection (ISO 10931)	Inclusions Visual inspection Surface finish Dimension tolerance Pressure testing
Approvals/conformance	DIBt ASME BPE FDA CFR 21 177.2510 USP 25 class VI (physiological non-toxic) FM-4910 listing
Welding technology	BCF Plus, bead and crevice free fusion, size d20 (1/2")–d110 (4") IR Plus, infrared fusion (DVS 2207-6), size d20 (1/2")–d315 (12") Butt fusion (DVS 2207-15), size d20 (1/2")–d315 (12") Socket fusion (DVS 2207-15), size d16 (3/8")–d63 (2")
Documentation*	Certificate of Conformance with FDA, USP EN 10204 2.2 EN 10204 3.1
Packing**	Multiple components single bagged in specified bag
Labeling	Brand Name Product Description Code Number Material Dimension
Main applications	Uses include delivery of pharmaceutical grade purified water (PW) and DI water, using hot water, steam chemical or ozone sanitisation. Due to its excellent chemical resistance it is widely used in chemical distribution systems.

* On request

** Not for socket fusion products

SYGEF Standard Pipes



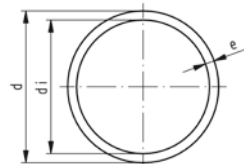
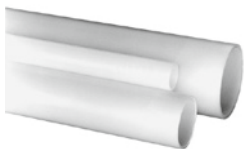
SYGEF Standard pipe SDR33/PN10

Model:

- Material: PVDF
- Length: 5 m units

Inflation surcharges for pipes are possible, they follow the current purchase of materials price.

d (mm)	DN (mm)	PN (bar)	FM	Code	Weight (kg/m)	e (mm)	di (mm)
90	80	10	BCF, IR	175 480 665	1.480	2.8	84.4
110	100	10	BCF, IR	175 480 666	2.200	3.4	103.2
125	100	10	IR	175 480 667	2.840	3.9	117.2
140	125	10	IR	175 480 673	3.520	4.3	131.4
160	150	10	IR	175 480 668	4.540	4.9	150.2
200	200	10	IR	175 480 669	7.190	6.2	187.6
225	200	10	IR	175 480 670	8.950	6.9	211.2
250	250	10	IR	175 480 671	11.100	7.7	234.6
280	250	10	IR	175 480 656	13.900	8.6	262.8
315	300	10	IR	175 480 674	17.600	9.7	295.6



SYGEF Standard pipe SDR21/PN16

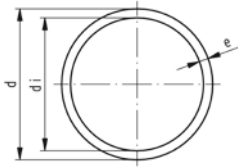
Model:

- Material: PVDF
- Length: 5 m units

Inflation surcharges for pipes are possible, they follow the current purchase of materials price.

* SYGEF Plus (PVDF-HP)

d (mm)	DN (mm)	PN (bar)	FM	Code	Weight (kg/m)	e (mm)	di (mm)
16	10	16	SF	175 480 202	0.171	1.9	12.2
20	15	16	BCF, IR	175 480 203	0.210	1.9	16.2
25	20	16	BCF, IR	175 480 204	0.269	1.9	21.2
32	25	16	BCF, IR	175 480 205	0.435	2.4	27.2
40	32	16	BCF, IR	175 480 206	0.563	2.4	35.2
50	40	16	BCF, IR	175 480 207	0.850	3.0	44.0
63	50	16	BCF, IR	175 480 208	1.090	3.0	57.0
75	65	16	BCF, IR	175 480 209	1.550	3.6	67.8
90	80	16	BCF, IR	175 480 210	2.230	4.3	81.4
110	100	16	BCF, IR	175 480 211	3.330	5.3	99.4
140	125	16	IR	175 480 213	5.312	6.7	126.6
160	150	16	IR	175 480 214	6.961	7.7	144.6
200	200	16	IR	175 480 216	10.862	9.6	180.8
225	200	16	IR	175 480 217	13.700	10.8	203.4
*	250	250	IR	175 481 218	17.150	11.9	226.2
*	280	250	IR	175 481 219	21.660	13.4	253.2
*	315	300	IR	175 481 220	27.220	15.0	285.0



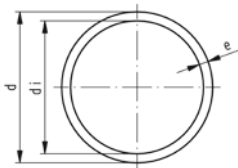
SYGEF Select pipe SDR33/PN10

Model:

- Material: PVDF
- Length: 5 m units

Inflation surcharges for pipes are possible, they follow the current purchase of materials price.

d (mm)	DN (mm)	PN (bar)	FM	Select S Code	Weight (kg/m)	Select E Code	e (mm)	di (mm)
90	80	10	BCF, IR	175483213S	1.480	175483213E	2.8	84.4
110	100	10	BCF, IR	175483214S	2.200	175483214E	3.4	103.2
125	100	10	IR	175483215S	2.840	175483215E	3.9	117.2
140	125	10	IR	175483216S	3.520	175483216E	4.3	131.4
160	150	10	IR	175483217S	4.540	175483217E	4.9	150.2
200	200	10	IR	175483218S	7.190	175483218E	6.2	187.6
225	200	10	IR	175483219S	8.950	175483219E	6.9	211.2
250	250	10	IR	175483220S	11.100	175483220E	7.7	234.6
280	250	10	IR	175483221S	13.900	175483221E	8.6	262.8
315	300	10	IR	175483222S	17.600	175483222E	9.7	295.6



SYGEF Select pipe SDR21/PN16

Model:

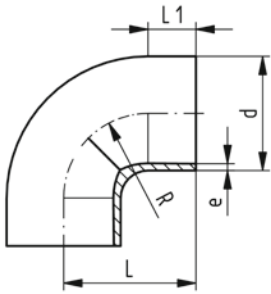
- Material: PVDF
- Length: 5 m units
- * Available only on request

Inflation surcharges for pipes are possible, they follow the current purchase of materials price.

d (mm)	DN (mm)	PN (bar)	FM	Select S Code	Weight (kg/m)	Select E Code	e (mm)	di (mm)	
16	10	16	SF	175483905S	0.171	175483905E	1.9	12.2	
20	15	16	BCF, IR	175483906S	0.210	175483906E	1.9	16.2	
25	20	16	BCF, IR	175483907S	0.269	175483907E	1.9	21.2	
32	25	16	BCF, IR	175483908S	0.435	175483908E	2.4	27.2	
40	32	16	BCF, IR	175483909S	0.563	175483909E	2.4	35.2	
50	40	16	BCF, IR	175483910S	0.850	175483910E	3.0	44.0	
63	50	16	BCF, IR	175483911S	1.090	175483911E	3.0	57.0	
75	65	16	BCF, IR	175483912S	1.550	175483912E	3.6	67.8	
90	80	16	BCF, IR	175483913S	2.230	175483913E	4.3	81.4	
110	100	16	BCF, IR	175483914S	3.330	175483914E	5.3	99.4	
140	125	16	IR	175483916S	5.312	175483916E	6.7	126.6	
160	150	16	IR	175483917S	6.961	175483917E	7.7	144.6	
200	200	16	IR	175483918S	10.862	175483918E	9.6	180.8	
225	200	16	IR	175483919S	13.700	175483919E	10.8	203.4	
*	250	250	16	IR	175483920S	17.150	175483920E	11.9	226.2
*	280	250	16	IR	175483921S	21.660	175483921E	13.4	253.2
*	315	300	16	IR	175483922S	27.220	175483922E	15.0	285.0

SYGEF Standard Fittings

Butt fusion fittings

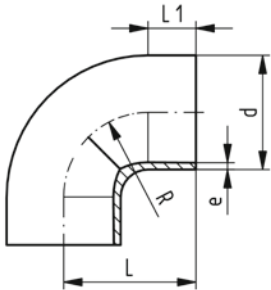


SYGEF Standard bend 90° SDR33/PN10

Model:

- Material: PVDF
- * SYGEF Plus (PVDF-HP)

d (mm)	PN (bar)	FM	Code	Weight (kg)	L (mm)	L1 (mm)	R (mm)	e (mm)
90	10	BCF, IR	735 018 513	0.332	90	23	77	2.8
110	10	BCF, IR	735 018 514	0.575	110	23	98	3.4
125	10	IR	735 018 515	0.773	125	28	112	3.9
140	10	IR	735 018 516	1.109	140	33	121	4.3
160	10	IR	735 018 517	1.540	160	33	141	4.9
200	10	IR	735 018 519	2.018	200	33	181	6.2
225	10	IR	735 018 520	3.952	220	33	200	6.9
*	250	IR	735 018 546	4.304	254	48	232	7.7
*	280	IR	735 018 547	6.370	283	48	262	8.6
*	315	IR	735 018 548	9.032	321	48	297	9.7



SYGEF Standard bend 90° SDR21/PN16

Model:

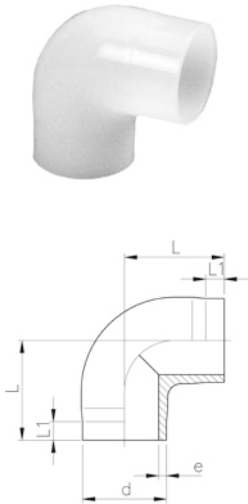
- Material: PVDF

Note:

d250, d280 and d315 are only available in SYGEF Plus (PVDF-HP) under the following code numbers (735018746, 735018747, 735018748).

d (mm)	PN (bar)	FM	Code	Weight (kg)	L (mm)	L1 (mm)	R (mm)	e (mm)
20	16	BCF, IR	735 018 706	0.016	38	23	15	1.9
25	16	BCF, IR	735 018 707	0.022	42	23	19	1.9
32	16	BCF, IR	735 018 708	0.038	46	22	24	2.4
40	16	BCF, IR	735 018 709	0.055	51	21	30	2.4
50	16	BCF, IR	735 018 710	0.095	58	21	37	3.0
63	16	BCF, IR	735 018 711	0.138	66	21	45	3.0
75	16	BCF, IR	735 018 712	0.243	75	23	62	3.6
90	16	BCF, IR	735 018 713	0.423	90	23	77	4.3
110	16	BCF, IR	735 018 714	0.705	110	23	98	5.3
140	16	IR	735 018 716	1.423	140	33	121	6.7
160	16	IR	735 018 717	2.258	160	33	141	7.7
200	16	IR	735 018 719	3.798	200	33	181	9.6
225	16	IR	735 018 720	5.726	220	33	200	10.8

**SYGEF Standard elbow 90°
SDR21/PN16**

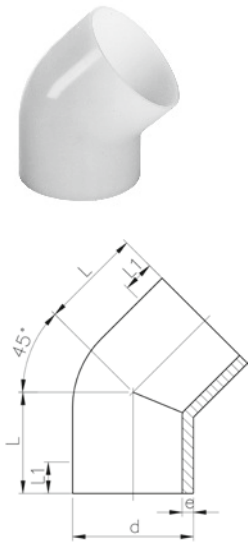


Model:

- Material: PVDF

d (mm)	PN (bar)	FM	Code	Weight (kg)	L (mm)	L1 (mm)	e (mm)
20	16	BCF, IR	735 108 606	0.017	38	25	1.9
25	16	BCF, IR	735 108 607	0.026	42	26	1.9
32	16	BCF, IR	735 108 608	0.043	46	26	2.4
40	16	BCF, IR	735 108 609	0.062	51	28	2.4
50	16	BCF, IR	735 108 610	0.107	58	28	3.0
63	16	BCF, IR	735 108 611	0.188	66	28	3.0

**SYGEF Standard elbow 45°
SDR33/PN10**

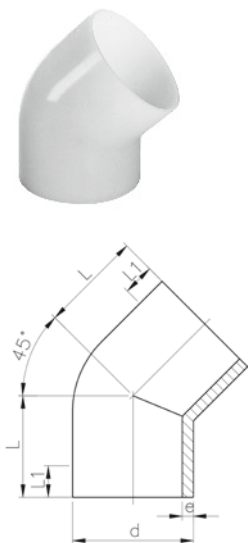


Model:

- Material: PVDF
- * SYGEF Plus (PVDF-HP)

d (mm)	PN (bar)	FM	Code	Weight (kg)	L (mm)	L1 (mm)	e (mm)
90	10	BCF, IR	735 158 513	0.200	57	37	2.8
110	10	BCF, IR	735 158 514	0.348	70	46	3.4
125	10	IR	735 158 515	0.490	79	51	3.9
140	10	IR	735 158 516	0.712	88	57	4.3
160	10	IR	735 158 517	0.986	100	62	4.9
200	10	IR	735 158 519	1.928	124	77	6.2
225	10	IR	735 158 520	2.732	140	88	6.9
*	250	IR	735 158 546	2.402	120	47	7.7
*	280	IR	735 158 547	3.518	133	47	8.6
*	315	IR	735 158 548	4.923	147	47	9.7

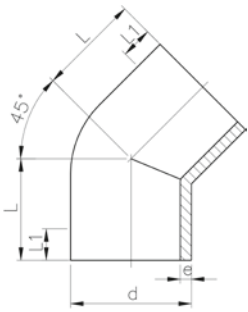
**SYGEF Standard elbow 45°
SDR21/PN16**



Model:

- Material: PVDF
- * SYGEF Plus (PVDF-HP)

d (mm)	PN (bar)	FM	Code	Weight (kg)	L (mm)	L1 (mm)	e (mm)
20	16	BCF, IR	735 158 606	0.014	32	25	1.9
25	16	BCF, IR	735 158 607	0.019	34	26	1.9
32	16	BCF, IR	735 158 608	0.033	36	26	2.4
40	16	BCF, IR	735 158 609	0.042	39	28	2.4
50	16	BCF, IR	735 158 610	0.084	42	30	3.0
63	16	BCF, IR	735 158 611	0.121	47	31	3.0
75	16	BCF, IR	735 158 612	0.160	49	32	3.6
90	16	BCF, IR	735 158 613	0.271	57	37	4.3
110	16	BCF, IR	735 158 614	0.499	70	46	5.3
140	16	IR	735 158 616	1.000	88	57	6.7
160	16	IR	735 158 617	1.470	100	62	7.7
200	16	IR	735 158 619	2.800	124	77	9.6



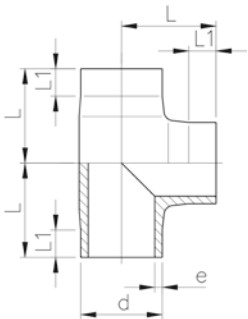
	d (mm)	PN (bar)	FM	Code	Weight (kg)	L (mm)	L1 (mm)	e (mm)
	225	16	IR	735 158 620	4.000	140	88	10.8
*	250	16	IR	735 158 646	3.669	120	47	11.9
*	280	16	IR	735 158 647	5.099	133	47	13.4
*	315	16	IR	735 158 648	7.162	147	47	15.0



SYGEF Standard T 90° equal SDR33/PN10

Model:

- Material: PVDF
- * SYGEF Plus (PVDF-HP)



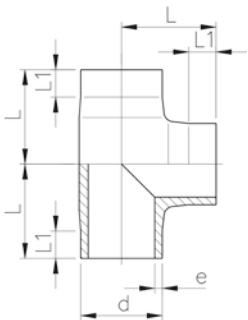
	d (mm)	PN (bar)	FM	Code	Weight (kg)	L (mm)	L1 (mm)	e (mm)
	90	10	BCF, IR	735 208 513	0.433	90	39	2.8
	110	10	BCF, IR	735 208 514	0.766	110	48	3.4
	125	10	IR	735 208 515	1.280	125	56	3.9
	140	10	IR	735 208 516	1.554	140	62	4.3
	160	10	IR	735 208 517	2.293	160	71	4.9
	200	10	IR	735 208 519	4.297	200	80	6.2
	225	10	IR	735 208 520	6.900	220	86	6.9
*	250	10	IR	735 208 546	6.939	223	70	7.7
*	280	10	IR	735 208 547	10.475	256	74	8.6
*	315	10	IR	735 208 548	13.882	274	74	9.7



SYGEF Standard T 90° equal SDR21/PN16

Model:

- Material: PVDF
- * SYGEF Plus (PVDF-HP)



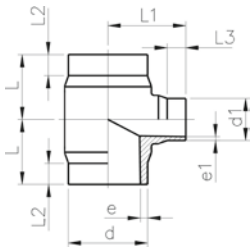
	d (mm)	PN (bar)	FM	Code	Weight (kg)	L (mm)	L1 (mm)	e (mm)
	20	16	BCF, IR	735 208 606	0.025	38	25	1.9
	25	16	BCF, IR	735 208 607	0.033	42	27	1.9
	32	16	BCF, IR	735 208 608	0.058	46	27	2.4
	40	16	BCF, IR	735 208 609	0.083	51	28	2.4
	50	16	BCF, IR	735 208 610	0.146	58	28	3.0
	63	16	BCF, IR	735 208 611	0.254	66	28	3.0
	75	16	BCF, IR	735 208 612	0.346	75	32	3.6
	90	16	BCF, IR	735 208 613	0.600	90	39	4.3
	110	16	BCF, IR	735 208 614	1.067	110	48	5.3
	140	16	IR	735 208 616	2.600	140	62	6.7
	160	16	IR	735 208 617	3.500	160	71	7.7
	200	16	IR	735 208 619	6.725	200	80	9.6
	225	16	IR	735 208 620	8.986	220	86	10.8
*	250	16	IR	735 208 646	10.823	223	70	11.9
*	280	16	IR	735 208 647	16.061	256	74	13.4
*	315	16	IR	735 208 648	21.422	274	74	15.0



SYGEF Standard T 90° reduced SDR33/PN10

Model:

- Material: PVDF



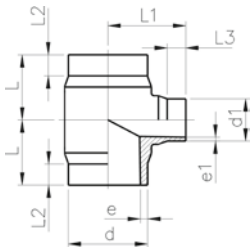
d (mm)	d1 (mm)	SDR	PN (bar)	FM	Code	Weight (kg)	L (mm)	L1 (mm)	L2 (mm)	L3 (mm)	e (mm)	e1 (mm)
160	90	33-21	10	IR	735 208 562	2.300	155	130	60	25	4.9	4.3
160	110	33-21	10	IR	735 208 561	2.300	155	130	60	25	4.9	5.3
225	90	33-21	10	IR	735 208 570	4.400	155	160	60	25	6.9	4.3
225	110	33-21	10	IR	735 208 569	4.286	155	160	60	25	6.9	5.3
225	160	33-33	10	IR	735 208 568	4.239	155	170	60	35	6.9	4.9



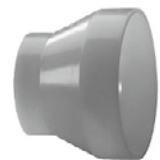
SYGEF Standard T 90° reduced SDR21/PN16

Model:

- Material: PVDF



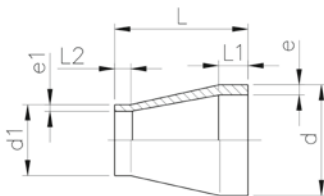
d (mm)	d1 (mm)	PN (bar)	FM	Code	Weight (kg)	L1 (mm)	L2 (mm)	L (mm)	L3 (mm)	e (mm)	e1 (mm)
160	90	16	IR	735 208 662	3.200	130	60	155	25	7.7	4.3
160	110	16	IR	735 208 661	3.300	130	60	155	25	7.7	5.3
225	90	16	IR	735 208 670	6.000	160	60	155	25	10.8	4.3
225	110	16	IR	735 208 669	6.100	160	60	155	25	10.8	5.3



SYGEF Standard reducer SDR33/PN10

Model:

- Material: PVDF



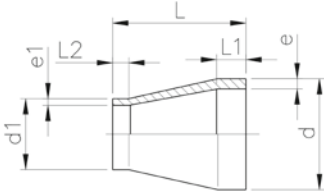
d (mm)	d1 (mm)	PN (bar)	FM	Code	Weight (kg)	L (mm)	L1 (mm)	L2 (mm)	e (mm)	e1 (mm)
90	63	10	BCF, IR	735 908 551	0.124	75	25	30	2.8	3.0
110	63	10	BCF, IR	735 908 553	0.196	90	30	30	3.4	3.0
110	90	10	BCF, IR	735 908 555	0.179	90	30	35	3.4	2.8
125	110	10	IR	735 908 580	0.270	100	35	40	3.9	5.3
140	110	10	IR	735 908 585	0.385	110	40	40	4.3	5.3
140	125	10	IR	735 908 584	0.340	110	40	40	4.3	3.9
160	110	10	IR	735 908 561	0.480	120	40	40	4.9	3.4
160	110	10	IR	735 908 590	0.573	120	40	40	4.9	5.3
160	140	10	IR	735 908 588	0.568	120	40	40	4.9	4.3
200	160	10	IR	735 908 592	0.830	145	50	40	6.2	4.9
225	110	10	IR	735 908 566	1.120	160	55	35	6.9	3.4
225	110	10	IR	735 908 595	0.940	160	55	35	6.9	5.3
225	160	10	IR	735 908 596	1.140	160	55	40	6.9	4.9
225	200	10	IR	735 908 597	1.200	160	55	50	6.9	6.2



SYGEF Standard reducer SDR21/PN16

Model:

- Material: PVDF



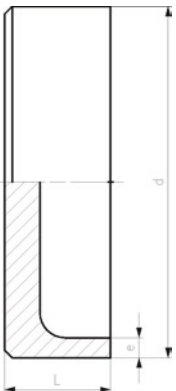
d (mm)	d1 (mm)	PN (bar)	FM	Code	Weight (kg)	L (mm)	L1 (mm)	L2 (mm)	e (mm)	e1 (mm)
25	20	16	BCF, IR	735 908 637	0.013	50	22	22	1.9	1.9
32	20	16	BCF, IR	735 908 642	0.019	50	22	22	2.4	1.9
32	25	16	BCF, IR	735 908 641	0.019	50	22	22	2.4	1.9
40	20	16	BCF, IR	735 908 648	0.025	58	22	24	2.4	1.9
40	25	16	BCF, IR	735 908 647	0.025	55	22	24	2.4	1.9
40	32	16	BCF, IR	735 908 646	0.028	55	22	24	2.4	2.4
50	25	16	BCF, IR	735 908 654	0.040	60	22	25	3.0	1.9
50	32	16	BCF, IR	735 908 653	0.043	60	22	25	3.0	2.4
50	40	16	BCF, IR	735 908 652	0.046	60	22	25	3.0	2.4
63	32	16	BCF, IR	735 908 660	0.059	65	22	25	3.0	2.4
63	40	16	BCF, IR	735 908 659	0.062	65	22	25	3.0	2.4
63	50	16	BCF, IR	735 908 658	0.070	65	22	25	3.0	3.0
75	40	16	BCF, IR	735 908 666	0.086	68	24	25	3.6	2.4
75	50	16	BCF, IR	735 908 665	0.091	65	24	25	3.6	3.0
75	63	16	BCF, IR	735 908 664	0.095	65	24	25	3.6	3.0
90	63	16	BCF, IR	735 908 671	0.138	75	25	30	4.3	3.0
90	75	16	BCF, IR	735 908 670	0.153	75	25	35	4.3	3.6
110	63	16	BCF, IR	735 908 678	0.257	90	30	30	5.3	3.0
110	75	16	BCF, IR	735 908 677	0.213	90	30	35	5.3	3.6
110	90	16	BCF, IR	735 908 676	0.265	90	30	35	5.3	4.3
140	110	16	IR	735 908 685	0.450	110	40	40	6.7	5.3
160	110	16	IR	735 908 690	0.650	120	40	40	7.7	5.3
160	140	16	IR	735 908 688	0.450	120	40	40	7.7	6.7
200	160	16	IR	735 908 692	1.340	120	40	35	9.6	7.7
225	110	16	IR	735 908 695	1.540	160	50	40	10.8	5.3
225	160	16	IR	735 908 696	1.730	160	50	40	10.8	7.7
225	200	16	IR	735 908 697	1.980	160	55	50	10.8	9.6



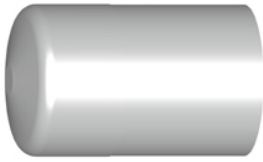
SYGEF Standard end cap SDR33/PN10

Model:

- Material: PVDF
- Machined version, incl. facing mark (must not be exceeded)



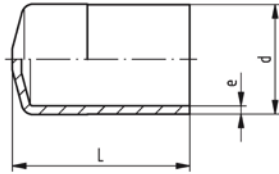
d (mm)	PN (bar)	FM	Code	L (mm)	e (mm)
90	10	IR	735 968 213	30	2.8
110	10	IR	735 968 214	45	3.4
125	10	IR	735 968 215	45	3.9
140	10	IR	735 968 216	45	4.3
160	10	IR	735 968 217	46	4.9
200	10	IR	735 968 219	54	6.2
225	10	IR	735 968 220	57	6.9



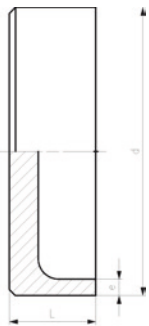
SYGEF Standard end cap SDR21/PN16

Model:

- Material: PVDF
- Type A: injection molded
- Type B: machined, incl. facing mark (must not be exceeded)



Type A



Type B

d (mm)	PN (bar)	FM	Type	Code	L (mm)	e (mm)
20	16	BCF, IR	A	735 968 006	47	1.9
25	16	BCF, IR	A	735 968 007	47	1.9
32	16	BCF, IR	A	735 968 008	52	2.4
40	16	IR	B	735 968 309	30	2.4
50	16	IR	B	735 968 310	30	3.0
63	16	IR	B	735 968 311	30	3.0
75	16	IR	B	735 968 312	30	3.6
90	16	IR	B	735 968 313	30	4.3
110	16	IR	B	735 968 314	45	5.3
140	16	IR	B	735 968 316	45	6.7
160	16	IR	B	735 968 317	46	7.7
200	16	IR	B	735 968 319	54	9.6
225	16	IR	B	735 968 320	57	10.8

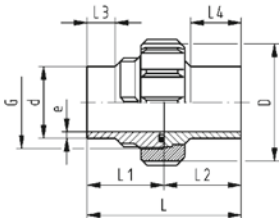
Butt fusion unions and o-rings



SYGEF Standard union FKM black SDR21/PN16

Model:

- Material: PVDF
- d75, d90 and d110 with buttress shaped thread



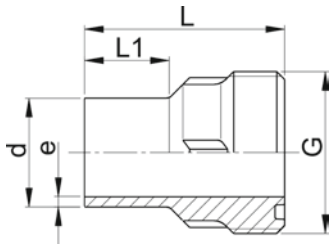
d (mm)	PN (bar)	Code	Weight (kg)	D (mm)	e (mm)	L (mm)	L1 (mm)	L2 (mm)	L3 (mm)	L4 (mm)	G (inch)
20	16	735 528 606	0.068	43	1.9	106	53	53	25	37	1
25	16	735 528 607	0.104	53	1.9	112	56	56	25	38	1 1/4
32	16	735 528 608	0.147	60	2.4	118	59	59	25	40	1 1/2
40	16	735 528 609	0.223	74	2.4	124	62	62	25	41	2
50	16	735 528 610	0.294	82	3.0	130	65	65	25	43	2 1/4
63	16	735 528 611	0.449	100	3.0	136	68	68	25	44	2 3/4
75	16	735 528 612	0.740	133	3.6	132	66	66	24	34	S107.5x3.6
90	16	735 528 613	0.773	133	4.3	130	65	65	24	48	S107.5x3.6
110	16	735 528 614	1.054	155	5.3	130	65	65	25	45	S127.5x3.6



SYGEF Standard union bush SDR21/PN16

Model:

- Material: PVDF
- Suitable for SYGEF Standard Union Butt Fusion
- d75, d90 and d100 with buttress shaped thread



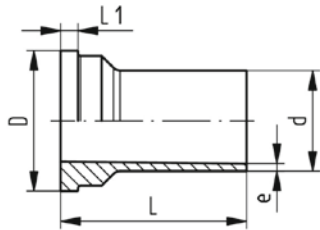
d (mm)	PN (bar)	FM	Code	Weight (kg)	L (mm)	L1 (mm)	G (inch)	e (mm)
20	16	BCF, IR	735 648 606	0.024	53	25	1	1.9
25	16	BCF, IR	735 648 607	0.038	56	25	1 1/4	1.9
32	16	BCF, IR	735 648 608	0.056	59	25	1 1/2	2.4
40	16	BCF, IR	735 648 609	0.082	62	25	2	2.4
50	16	BCF, IR	735 648 610	0.113	65	25	2 1/4	3.0
63	16	BCF, IR	735 648 611	0.168	68	25	2 3/4	3.0
75	16	BCF, IR	735 648 612	0.277	66	24	S 107.5 x 3.6	3.6
90	16	BCF, IR	735 648 613	0.275	65	24	S 107.5 x 3.6	4.3
110	16	BCF, IR	735 648 614	0.343	65	25	S 127.5 x 3.6	5.3



SYGEF Standard Union end SDR21/PN16

Model:

- Material: PVDF



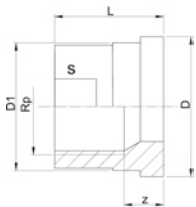
d (mm)	FM	PVDF Code	D (mm)	L (mm)	L1 (mm)	e (mm)
20	BCF, IR	735 608 606	30	53	5	1.9
25	BCF, IR	735 608 607	39	56	5	1.9
32	BCF, IR	735 608 608	45	59	6	2.4
40	BCF, IR	735 608 609	57	62	6	2.4
50	BCF, IR	735 608 610	63	65	7	3.0
63	BCF, IR	735 608 611	78	68	8	3.0
75	BCF, IR	735 608 612	101	66	9	3.6
90	BCF, IR	735 608 613	101	65	9	4.3
110	BCF, IR	735 608 614	121	65	10	5.3



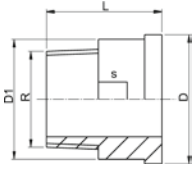
Union end stainless steel Rp

Model:

- Material: stainless steel 1.4404 (316L)
- Parallel female thread Rp



d (mm)	Thread Type	Size (inch)	PN (bar)	Code	Weight (kg)	z (mm)	D (mm)	D1 (mm)	L (mm)	s (mm)
16	Rp	3/8	16	724 600 655	0.030	9	24	22	19	19
20	Rp	1/2	16	724 600 656	0.060	11	30	28	24	24
25	Rp	3/4	16	724 600 657	0.092	11	39	36	26	29
32	Rp	1	16	724 600 658	0.137	12	45	42	29	36
40	Rp	1 1/4	16	724 600 659	0.226	14	57	53	33	45
50	Rp	1 1/2	16	724 600 660	0.314	15	63	59	34	54
63	Rp	2	16	724 600 661	0.438	15	78	74	39	63



Union end stainless steel R

Model:

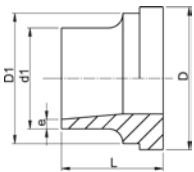
- Material: stainless steel 1.4404 (316L)
- Taper male thread R

d (mm)	Thread Type	Size (inch)	PN (bar)	Code	Weight (kg)	D (mm)	D1 (mm)	L (mm)	s (mm)
16	R	3/8	16	724 600 705	0.052	24	22	30	19
20	R	1/2	16	724 600 706	0.083	30	28	34	24
25	R	3/4	16	724 600 707	0.125	39	36	36	32
32	R	1	16	724 600 708	0.189	45	42	40	37
40	R	1 1/4	16	724 600 709	0.356	57	53	46	48
50	R	1 1/2	16	724 600 710	0.407	63	59	48	54
63	R	2	16	724 600 711	0.668	78	74	55	69

Union end stainless steel welding end

Model:

- Material: stainless steel 1.4404 (316L)



d (mm)	PN (bar)	d1 (mm)	Code	Weight (kg)	D (mm)	D1 (mm)	L (mm)	e (mm)
16	16	17	724 605 505	0.029	24	22	18	1.6
20	16	21	724 605 506	0.046	30	28	22	2.0
25	16	27	724 605 507	0.080	39	36	23	2.0
32	16	34	724 605 508	0.112	45	42	26	2.0
40	16	42	724 605 509	0.188	57	53	26	2.0
50	16	48	724 605 510	0.222	63	59	28	2.0
63	16	60	724 605 511	0.361	78	74	32	2.6

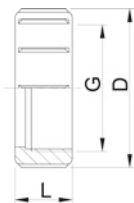
SYGEF Union nut

Model:

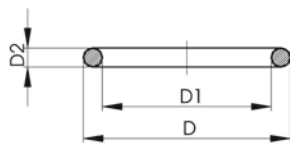
- Material: PVDF
- d75, d90 and d100 with buttress shaped thread
- *just for variable area flow meter

Note:

For the dimensions d75-110 please see instructions for the installation



d (mm)	FM	PN (bar)	Code	Weight (kg)	L (mm)	D (mm)	G (inch)
16	SF/BF	16	735 690 405	0.011	21	35	3/4
20	SF/BF	16	735 690 406	0.024	22	43	1
25	SF/BF	16	735 690 407	0.036	24	53	1 1/4
32	SF/BF	16	735 690 408	0.048	26	60	1 1/2
40	SF/BF	16	735 690 409	0.074	29	74	2
50	SF/BF	16	735 690 410	0.106	33	82	2 1/4
63	SF/BF	16	735 690 411	0.001	35	100	2 3/4
75 - 90	BF	16	735 690 422	0.289	40	133	
110	BF	16	735 690 423	0.403	42	155	



O-Ring Gaskets

Model:

- For unions and adaptor unions
- Hardness approx. 75° shore
- FFKM minimum temperature -20°C

d (mm)	DN (mm)	FFKM Code	Weight (kg)	D (mm)	D1 (mm)	D2 (mm)
20	15	700 245 481	0.002	27	20	3.53
25	20	700 245 482	0.002	35	28	3.53
32	25	700 245 483	0.002	40	33	3.53
40	32	700 245 484	0.006	51	41	5.33
50	40	700 245 485	0.007	58	47	5.33
63	50	700 245 486	0.010	70	60	5.33



O-ring

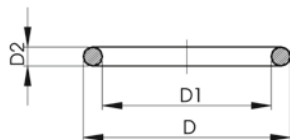
d (mm)	Size (inch)	DN (mm)	EPDM Code
20	½	15	748 410 006
25	¾	20	748 410 007
32	1	25	748 410 008
40	1 ¼	32	748 410 009
50	1 ½	40	748 410 010
63	2	50	748 410 011



O-ring black d75 - d110

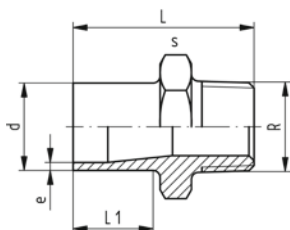
Model:

- Hardness approx. 65° Shore
- FKM minimum temperature -15°C



d-d (mm)	DN (mm)	Code	SP	GP	Weight (kg)	D (mm)	D1 (mm)	D2 (mm)	closest inch (inch)
75	50	749 410 013	100	600	0.011	80	69	5.34	2
75 - 90	65	749 410 014	100	600	0.012	93	82	5.34	2 ½
90 - 110	80	749 410 015	100	600	0.015	112	101	5.34	3

Butt fusion transition fittings

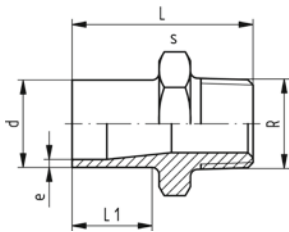


SYGEF Standard adaptor nipple male thread R SDR21/PN16

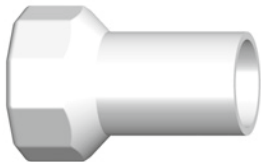
Model:

- Avoid stresses when installing and large changes in temperature
- Material: PVDF
- With butt fusion spigot and BSP tapered male thread
- Connection to plastic thread only
- Do not use thread sealing pastes that are harmful to PVDF

d (mm)	Size (inch)	PN (bar)	FM	Thread Type	Code	Weight (kg)	L (mm)	L1 (mm)	s (mm)	e (mm)
20	¾	16	BCF, IR	R	735 910 555	0.024	50	26	32	1.9
20	½	16	BCF, IR	R	735 910 556	0.025	53	26	32	1.9
25	¾	16	BCF, IR	R	735 910 557	0.035	55	26	36	1.9



d (mm)	Size (inch)	PN (bar)	FM	Thread Type	Code	Weight (kg)	L (mm)	L1 (mm)	s (mm)	e (mm)
32	1	16	BCF, IR	R	735 910 558	0.054	57	26	46	2.4
40	1 ¼	16	BCF, IR	R	735 910 559	0.076	60	26	55	2.4
50	1 ½	16	BCF, IR	R	735 910 560	0.123	63	26	65	3.0
63	2	16	BCF, IR	R	735 910 561	0.166	69	27	75	3.0



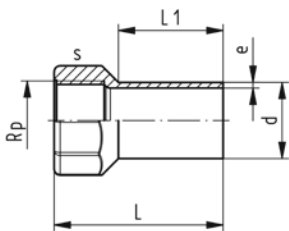
SYGEF Standard adaptor socket female Rp SDR21/PN16

Model:

- Material: PVDF
- With butt fusion spigot and parallel female thread Rp
- Avoid stresses when installing and large changes in temperature
- Connection to plastic thread only
- Do not use thread sealing pastes that are harmful to PVDF

Note:

* Please keep strictly to the GF internal installation preferences



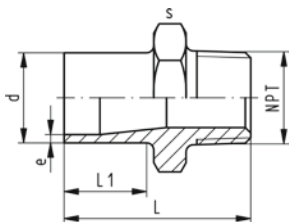
d (mm)	Size (inch)	PN (bar)	FM	Thread Type	Code	SP Weight (kg)	L (mm)	L1 (mm)	s (mm)	e (mm)		
20	¾	16	BCF, IR	Rp	735 910 585	1	0.030	54	30	32	1.9	
20	½	16	BCF, IR	Rp	735 910 586	1	0.026	54	30	32	1.9	
25	¾	16	BCF, IR	Rp	735 910 587	1	0.032	58	30	38	1.9	
32	1	16	BCF, IR	Rp	735 910 588	1	0.065	63	30	48	2.4	
40	1 ¼	16	BCF, IR	Rp	735 910 589	1	0.092	67	30	58	2.4	
50	1 ½	16	BCF, IR	Rp	735 910 590	1	0.108	67	30	65	3.0	
*	63	2	16	BCF, IR	Rp	735 910 591	1	0.195	73	30	80	3.0



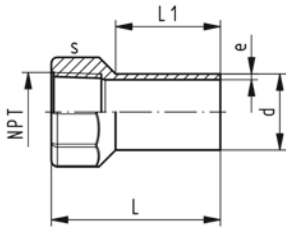
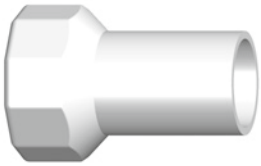
SYGEF Standard adaptor nipple male thread NPT SDR21/PN16

Model:

- Material: PVDF
- With butt fusion spigot and tapered male thread
- Avoid stresses when installing and large changes in temperature
- Connection to plastic thread only
- Do not use thread sealing pastes that are harmful to PVDF



d (mm)	Size (inch)	PN (bar)	FM	Thread Type	Code	Weight (kg)	L (mm)	L1 (mm)	s (mm)	e (mm)
20	¾	16	BCF, IR	NPT	735 914 555	0.024	50	26	32	1.9
20	½	16	BCF, IR	NPT	735 914 556	0.025	53	26	32	1.9
25	¾	16	BCF, IR	NPT	735 914 557	0.035	55	26	36	1.9
32	1	16	BCF, IR	NPT	735 914 558	0.053	57	26	46	2.4
40	1 ¼	16	BCF, IR	NPT	735 914 559	0.075	60	26	55	2.4
50	1 ½	16	BCF, IR	NPT	735 914 560	0.122	63	26	65	3.0
63	2	16	BCF, IR	NPT	735 914 561	0.176	69	27	75	3.0



SYGEF Standard adaptor socket female NPT SDR21/PN16

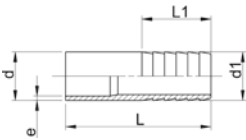
Model:

- Material: PVDF
- With butt fusion spigot and taper female thread NPT
- Avoid stresses when installing and large changes in temperature
- Connection to plastic thread only
- Do not use thread sealing pastes that are harmful to PVDF

Note:

* Please keep strictly to the GF internal installation preferences

	d	Size	PN	FM	Thread Type	Code	Weight	L	L1	s	e
	(mm)	(inch)	(bar)				(kg)	(mm)	(mm)	(mm)	(mm)
	20	¾	16	BCF, IR	NPT	735 914 585	0.029	54	30	32	1.9
	20	½	16	BCF, IR	NPT	735 914 586	0.027	54	30	32	1.9
	25	¾	16	BCF, IR	NPT	735 914 587	0.033	58	30	38	1.9
	32	1	16	BCF, IR	NPT	735 914 588	0.066	63	30	48	2.4
	40	1 ¼	16	BCF, IR	NPT	735 914 589	0.085	67	30	58	2.4
	50	1 ½	16	BCF, IR	NPT	735 914 590	0.108	67	30	65	3.0
*	63	2	16	BCF, IR	NPT	735 914 591	0.190	73	30	80	3.0



SYGEF Standard hose adaptor SDR21/PN16

Model:

- Material: PVDF

	d	d1	PN	FM	Code	Weight	L	L1	e
	(mm)	(mm)	(bar)			(kg)	(mm)	(mm)	(mm)
	20	20	16	BCF, IR	735 968 606	0.015	64	27	1.9
	25	25	16	BCF, IR	735 968 607	0.027	75	36	1.9
	32	32	16	BCF, IR	735 968 608	0.042	82	36	2.4
	40	40	16	BCF, IR	735 968 609	0.063	84	42	2.4
	50	50	16	BCF, IR	735 968 610	0.084	90	48	3.0
	63	60	16	BCF, IR	735 968 611	0.118	100	50	3.0

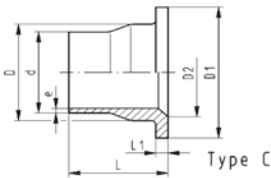
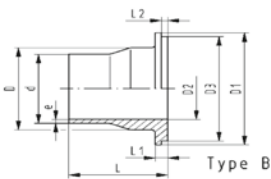
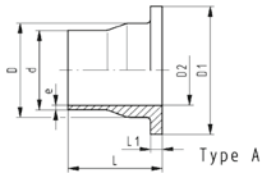
Butt fusion flange adaptors, flanges and gaskets



SYGEF Standard flange adaptor Metric Jointing face serrated SDR33/PN10

Model:

- Material: PVDF
- * SYGEF Plus (PVDF-HP)



d (mm)	DN (mm)	PN (bar)	FM	Type	Code	Weight (kg)
90	80	10	BCF, IR	B	735 798 863	0.370
110	100	10	BCF, IR	A	735 798 864	0.493
125	100	10	IR	A	735 798 565	0.453
140	125	10	IR	A	735 798 866	0.739
160	150	10	IR	C	735 798 867	0.927
200	200	10	IR	C	735 798 869	1.797
225	200	10	IR	A	735 798 870	1.687
*	250	250	IR	C	735 798 596	2.730
*	280	250	IR	A	735 798 597	2.715
*	315	300	IR	C	735 798 598	3.657

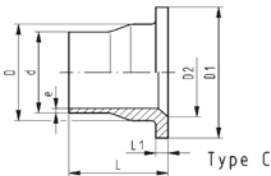
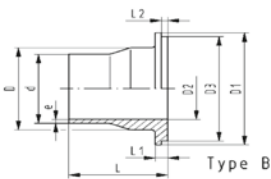
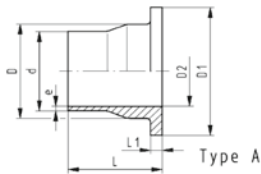
d (mm)	L (mm)	L1 (mm)	L2 (mm)	D (mm)	D1 (mm)	D2 (mm)	D3 (mm)	e (mm)
90	81	12	4	105	138	78	133	2.8
110	81	13		125	158	100		3.4
125	82	14		132	158	114		3.9
140	90	16		155	188	127		4.3
160	93	17		175	212	151		4.9
200	102	22		232	268	207		6.2
225	102	22		235	268	207		6.9
*	250	120	22	285	320	249		7.7
*	280	120	22	291	320	249		8.6
*	315	120	22	335	370	300		9.7



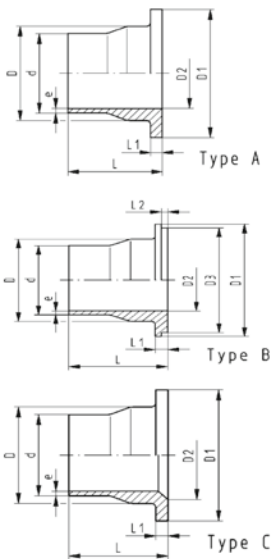
SYGEF Standard flange adaptor Metric Jointing face serrated SDR21/PN16

Model:

- Material: PVDF
- * SYGEF Plus (PVDF-HP)



d (mm)	DN (mm)	PN (bar)	FM	Type	Code	Weight (kg)
20	15	16	BCF, IR	A	735 798 806	0.029
25	20	16	BCF, IR	B	735 798 807	0.046
32	25	16	BCF, IR	B	735 798 808	0.070
40	32	16	BCF, IR	B	735 798 809	0.096
50	40	16	BCF, IR	B	735 798 810	0.136
63	50	16	BCF, IR	A	735 798 811	0.198
75	65	16	BCF, IR	A	735 798 812	0.311
90	80	16	BCF, IR	B	735 798 813	0.394
110	100	16	BCF, IR	C	735 798 814	0.561
140	125	16	IR	C	735 798 816	0.861
160	150	16	IR	C	735 798 817	1.200
200	200	16	IR	C	735 798 819	1.900
225	200	16	IR	C	735 798 820	2.000
*	250	250	IR	C	735 798 846	3.658
*	280	250	IR	C	735 798 847	3.586
*	315	300	IR	C	735 798 848	5.028



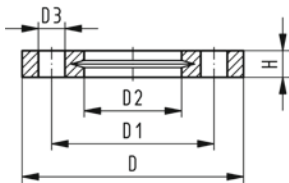
d	L	L1	L2	D	D1	D2	D3	e
(mm)	(mm)	(mm)	(mm)	(mm)	(mm)	(mm)	(mm)	(mm)
20	54	6		26	45	15		1.9
25	56	7	4	32	58	20	54	1.9
32	58	7	4	40	68	26	63	2.4
40	68	8	4	49	78	34	73	2.4
50	69	8	4	60	88	43	82	3.0
63	72	9		75	102	56		3.0
75	80	10		89	122	66		3.6
90	81	12	4	105	138	78	133	4.3
110	81	13		125	158	100		5.3
140	90	16		155	188	127		6.7
160	93	17		175	212	151		7.7
200	102	22		232	268	207		9.6
225	102	22		235	268	207		10.8
*	250	122	25	285	320	249		11.9
*	280	122	25	291	320	249		13.4
*	315	124	28	335	370	300		15.0

Flanges PP-V (full plastic)

Model:

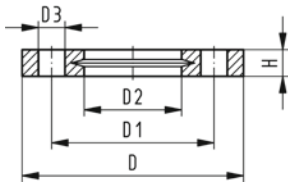
- Full-plastic flange PP-GF (30 % glass-fibre reinforced)
- Metric: ISO 7005, EN 1092, ISO 9624
- ASME: ANSI/ASME B 16.5 class 150, ASTM D2024, BS 1560, BS EN 1759
- Special flange adapter ANSI for d25 - d50 and d90 required

AL: number of holes



d	DN	d	PN	Standard	Bolt / circle	Design	Code	Weight
(mm)	(mm)	(inch)	(bar)					(kg)
20	15		16	Metric	PN10	Butt/Socket	727 700 406	0.093
25	20		16	Metric	PN10	Butt/Socket	727 700 407	0.120
32	25		16	Metric	PN10	Butt/Socket	727 700 408	0.151
40	32		16	Metric	PN10	Butt/Socket	727 700 409	0.244
50	40		16	Metric	PN10	Butt/Socket	727 700 410	0.297
63	50		16	Metric	PN10	Butt/Socket	727 700 411	0.362
75	65		16	Metric	PN10	Butt/Socket	727 700 412	0.487
90	80		16	Metric	PN10	Butt	727 700 513	0.544
110	100		16	Metric	PN10	Butt	727 700 514	0.643
125	100		16	Metric	PN10	Butt	727 700 515	0.635
140	125		16	Metric	PN10	Butt	727 700 516	0.842
160	150	6	16	Metric/ASME	PN10/ class 150	Butt	727 700 517	1.200
180	150		16	Metric/ASME	PN10/ Class 150	Butt	727 700 518	1.200
200	200	8	16	Metric/ASME	PN10/ class 150	Butt	727 700 519	1.400
225	200	8	16	Metric/ASME	PN10/ class 150	Butt	727 700 520	1.400
250	250		10	Metric	PN10	Butt	727 700 521	2.052
280	250		10	Metric	PN10	Butt	727 700 522	1.700
315	300		10	Metric	PN10	Butt	727 700 523	2.400

d	D	D1	D2	D3	H max.	AL	SC
(mm)	(mm)	(mm)	(mm)	(mm)	(mm)		
20	95	65	28	14	16	4	M12
25	105	75	34	14	17	4	M12
32	115	85	42	14	18	4	M12
40	140	100	51	18	20	4	M16
50	150	110	62	18	22	4	M16
63	165	125	78	18	24	4	M16
75	185	145	92	18	26	4	M16
90	200	160	108	18	27	8	M16



d (mm)	D (mm)	D1 (mm)	D2 (mm)	D3 (mm)	H max. (mm)	AL	SC
110	220	180	128	18	28	8	M16
125	220	180	135	18	28	8	M16
140	250	210	158	18	30	8	M16
160	285	240	178	22	32	8	M20
180	285	240	188	22	32	8	M20
200	340	297	235	22	34	8	M20
225	340	297	238	22	34	8	M20
250	395	350	288	22	38	12	M20
280	395	350	294	22	38	12	M20
315	445	400	338	22	42	12	M20



Flanges PP-Steel

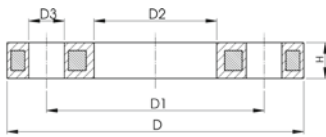
Model:

- Material: PP (30% glass-fibre reinforced) with steel ring
- Metric: ISO 7005, EN 1092, ISO 9624
- ASME: ANSI/ASME B 16.5 class 150, ASTM D4024, BS 1560, BS EN 1759
- Special flange adapter ANSI for d25 - d50 and d90 required

AL: number of holes

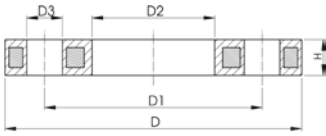
* FM 1613 approved - 15 bar

** Profiled loose flange



d (mm)	Size (inch)	DN (mm)	D (mm)	PN (bar)	Standard	Bolt / circle	Design	Code	Weight (kg)	
20		15	95	16	Metric	PN10	Butt/Socket	727 700 206	0.216	
25		20	105	16	Metric	PN10	Butt/Socket	727 700 207	0.279	
32		25	115	16	Metric	PN10	Butt/Socket	727 700 208	0.429	
40		32	140	16	Metric	PN10	Butt/Socket	727 700 209	0.621	
50		40	150	16	Metric	PN10	Butt/Socket	727 700 210	0.722	
63	2	50	165	16	Metric	PN10	Butt/Socket	727 700 211	0.900	
75		65	185	16	Metric	PN10	Butt/Socket	727 700 212	1.110	
*	90	80	200	16	Metric	PN10	Butt	724 700 313	1.390	
	90	80	200	16	Metric	PN10	Butt	727 700 313	1.390	
*	110	100	223	16	Metric	PN10	Butt	724 700 314	1.407	
	110	100	220	16	Metric	PN10	Butt	727 700 314	1.407	
*	125	100	223	16	Metric	PN10	Butt	724 700 315	1.408	
	125	100	220	16	Metric	PN10	Butt	727 700 315	1.408	
*	140	125	250	16	Metric	PN10	Butt	724 700 316	2.318	
	140	125	250	16	Metric	PN10	Butt	727 700 716	2.318	
*	160	6	150	285	16	Metric	PN10	Butt	724 700 317	3.491
	160	6	150	285	16	Metric/ASME	PN10/ class 150	Butt	727 700 717	3.491
*	180		150	285	16	Metric	PN10	Butt	724 700 318	3.108
	180	150	285	16	Metric/ASME	PN10/ Class 150	Butt	727 700 718	3.108	
*,**	200		200	344	16	Metric	PN16	Butt	724 700 319	3.549
	200	8	200	340	16	Metric/ASME	PN10/ class 150	Butt	727 700 719	5.600
*,**	225		200	344	16	Metric	PN16	Butt	724 700 320	3.380
	225	8	200	340	16	Metric/ASME	PN10/ class 150	Butt	727 700 720	5.533
*,**	250		250	410	16	Metric	PN16	Butt	724 700 321	6.390
	250		250	395	16	Metric	PN10	Butt	727 700 721	6.632
*,**	280		250	410	16	Metric	PN16	Butt	724 700 322	6.310
	280		250	395	16	Metric	PN10	Butt	727 700 722	6.573
*,**	315		300	455	16	Metric	PN16	Butt	724 700 323	9.740
	315		300	445	16	Metric	PN10	Butt	727 700 723	7.903

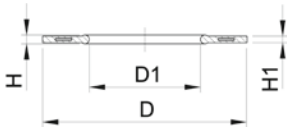
d (mm)	D1 (mm)	D2 (mm)	D3 (mm)	H max. (mm)	AL	SC
20	65	28	14	12	4	M12
25	75	34	14	12	4	M12
32	85	42	14	16	4	M12



	d (mm)	D1 (mm)	D2 (mm)	D3 (mm)	H max. (mm)	AL	SC
	40	100	51	18	16	4	M16
	50	110	62	18	20	4	M16
	63	125	78	18	20	4	M16
	75	145	92	18	20	4	M16
*	90	160	108	18	20	8	M16
	90	160	108	18	20	8	M16
*	110	180	128	18	20	8	M16
	110	180	128	18	20	8	M16
*	125	180	135	18	20	8	M16
	125	180	135	18	20	8	M16
*	140	210	158	18	24	8	M16
	140	210	158	18	24	8	M16
*	160	240	178	22	28	8	M20
	160	240	178	22	24	8	M20
*	180	240	188	22	28	8	M20
	180	240	188	22	24	8	M20
*, **	200	295	235	22	31	12	M20
	200	295	235	22	27	8	M20
*, **	225	295	238	22	31	12	M20
	225	297	238	22	27	8	M20
*, **	250	355	288	26	35	12	M24
	250	350	288	22	30	12	M20
*, **	280	355	294	26	36	12	M24
	280	350	294	22	30	12	M20
*, **	315	410	338	26	43	12	M24
	315	400	338	22	34	12	M20



Design d710 - d1000



Profile Flange Gasket EPDM/FKM metric

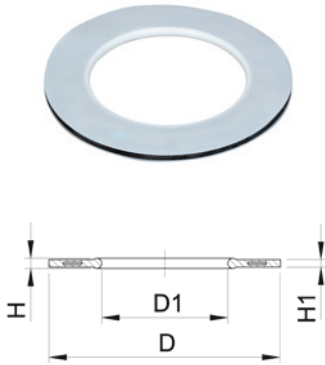
Model:

- For all metric GF Flange Adaptors
- Hardness: 70° Shore EPDM, 75° Shore FKM
- EPDM: approved acc. to DVGW Water W 270, KTW recommendation
- Centering on the inner diameter of the screw crown
- material steel insert: carbon steel
- Rubber-steel body combined with rubber profile cord ring up to d630
- Rubber-steel body ideal for big dimensions (d710 - d1000)

di FA are the suitable inner diameters of flanges adaptors

d (mm)	DN (mm)	PN (bar)	EPDM Code	FKM Code	Weight (kg)	D (mm)	D1 (mm)	di FA (mm)	H (mm)	H1 (mm)
16	10	16	748 440 705	749 440 705	0.012	46	16	6 - 16	4	3
25	20	10	748 440 707	749 440 707	0.014	61	22	12 - 22	4	3
32	25	16	748 440 708	749 440 708	0.019	71	28	18 - 28	4	3
50	40	16	748 440 710	749 440 710	0.039	92	46	36 - 46	4	3
63	50	16	748 440 711	749 440 711	0.050	107	58	48 - 58	5	4
75	65	16	748 440 712	749 440 712	0.082	127	69	59 - 69	5	4
90	80	16	748 440 713	749 440 713	0.083	142	84	73 - 84	5	4
110	100	16	748 440 714	749 440 714	0.127	162	104	94 - 104	6	5
125	100	16	748 440 715	749 440 715	0.105	162	123	113 - 123	6	5
140	125	16	748 440 716	749 440 716	0.173	192	137	127 - 137	6	5
160	150	16	748 440 717	749 440 717	0.207	218	160	150 - 160	8	6
200	200	16	748 440 719	749 440 719	0.263	273	203	192 - 203	8	6
225	200	16	748 440 720	749 440 720	0.255	273	220	207 - 220	8	6
250	250	16	748 440 721	749 440 721	0.462	328	252	238 - 252	8	6
280	250	16	748 440 722	749 440 722	0.323	328	274	264 - 274	8	6
315	300	16	748 440 723	749 440 723	0.549	378	306	296 - 306	8	6

**Profile Flange Gasket, metric
MPTFE envelope / EPDM inside**

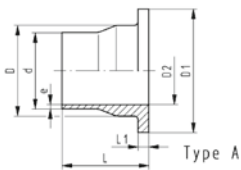


Model:

- For all metric GF Flange Adaptors
- Centering on the inner diameter of the bolt circle
- Envelope made of modified PTFE with diffusion barrier
- Ideal for aggressive media, High-Purity and silicone-free / paint compatible (acc. VDMA test)
- EPDM Profile Flange Gasket inside
- Individually bagged
- Suitable for contact with food stuff (conform to FDA 21 § 177.1550)

d (mm)	DN (mm)	PN (bar)	MPTFE/ EPDM Code	D (mm)	D1 (mm)	di FA (mm)	H (mm)	H1 (mm)
20	15	16	747 440 706	51	20	10 - 20	4	3
25	20	16	747 440 707	61	22	12 - 22	4	3
32	25	16	747 440 708	71	28	18 - 28	4	3
40	32	16	747 440 709	82	40	30 - 40	4	3
52	40	16	747 440 710	92	46	36 - 46	4	3
63	50	16	747 440 711	107	58	48 - 58	5	4
75	65	16	747 440 712	127	69	59 - 69	5	4
90	80	16	747 440 713	142	84	73 - 84	5	4
110	100	16	747 440 714	162	104	94 - 104	6	5
125	100	16	747 440 715	162	123	113 - 123	6	5
140	125	16	747 440 716	192	137	127 - 137	6	5
160	150	16	747 440 717	218	160	150 - 160	8	6
200	200	16	747 440 719	273	203	192 - 203	8	6
225	200	16	747 440 720	273	220	207 - 220	8	6
250	250	16	747 440 721	328	252	238 - 252	8	6
280	250	16	747 440 722	328	274	264 - 274	8	6
315	300	16	747 440 723	378	306	296 - 306	8	6

**SYGEF Standard flange adaptor ANSI
Joining face serrated SDR21/PN16**

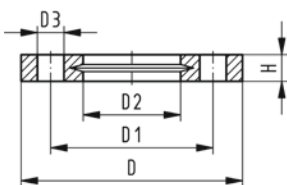


Model:

- Material: PVDF
- Other dimensions identical with metric version

d (inch)	d (mm)	PN (bar)	FM Type	Code	Weight (kg)	L (mm)	L1 (mm)	D (mm)	D1 (mm)	D2 (mm)	e (mm)
¾	25	16	BCF, IR A	735 798 857	0.044	56	7	32	54	20	1.9
1	32	16	BCF, IR A	735 798 858	0.063	58	7	40	63	26	2.4
1 ¼	40	16	BCF, IR A	735 798 859	0.089	68	8	49	73	34	2.4
1 ½	50	16	BCF, IR A	735 798 860	0.140	69	8	60	82	43	3.0
3	90	16	BCF, IR A	735 798 861	0.374	81	12	105	133	78	4.3

Flanges PP-V (full plastic)

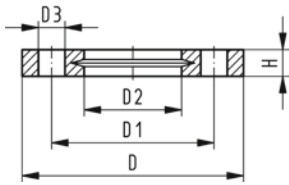


Model:

- Full-plastic flange PP-GF (30 % glass-fibre reinforced)
- Metric: ISO 7005, EN 1092, ISO 9624
- ASME: ANSI/ASME B 16.5 class 150, ASTM D2024, BS 1560, BS EN 1759
- Special flange adapter ANSI for d25 - d50 and d90 required

AL: number of holes

d (mm)	DN (mm)	d (inch)	PN (bar)	Standard	Bolt / circle	Design	Code	Weight (kg)
20	15	¾	16	ASME	class 150	Butt/Socket	727 701 406	0.091
25	20	¾	16	ASME	class 150	Butt/Socket	727 701 407	0.120
32	25	1	16	ASME	class 150	Butt/Socket	727 701 408	0.147
40	32	1 ¼	16	ASME	class 150	Butt/Socket	727 701 409	0.246
50	40	1 ½	16	ASME	class 150	Butt/Socket	727 701 410	0.299



d	DN	d	PN	Standard	Bolt / circle	Design	Code	Weight
(mm)	(mm)	(inch)	(bar)					(kg)
63	50	2	16	ASME	class 150	Butt/Socket	727 701 411	0.361
75	65	2 ½	16	ASME	class 150	Butt/Socket	727 701 412	0.492
90	80	3	16	ASME	class 150	Butt	727 701 513	0.607
110	100	4	16	ASME	class 150	Butt	727 701 514	0.736
160	150	6	16	Metric/ASME	PN10/ class 150	Butt	727 700 517	1.200
200	200	8	16	Metric/ASME	PN10/ class 150	Butt	727 700 519	1.400
225	200	8	16	Metric/ASME	PN10/ class 150	Butt	727 700 520	1.400
250	250	10	10	ASME	class 150	Butt	727 701 521	2.241
280	250	10	10	ASME	class 150	Butt	727 701 522	2.173
315	300	12	10	ASME	class 150	Butt	727 701 523	3.627

d	D	D1	D2	D3	H max.	AL	SC
(mm)	(mm)	(mm)	(mm)	(mm)	(mm)		
20	95	60	28	16	16	4	M12
25	105	70	34	16	17	4	M12
32	115	79	42	16	18	4	M12
40	140	89	51	16	20	4	M16
50	150	98	62	16	22	4	M16
63	165	121	78	19	24	4	M16
75	185	140	92	19	26	4	M16
90	200	152	108	19	27	4	M16
110	229	190	128	19	28	8	M16
160	285	240	178	22	32	8	M20
200	340	297	235	22	34	8	M20
225	340	297	238	22	34	8	M20
250	406	362	288	26	38	12	M20
280	406	362	294	26	38	12	M20
315	483	432	338	26	42	12	M20



Flanges PP-Steel

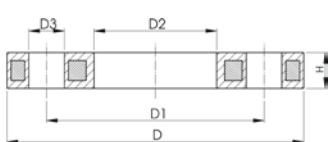
Model:

- Material: PP (30% glass-fibre reinforced) with steel ring
- Metric: ISO 7005, EN 1092, ISO 9624
- ASME: ANSI/ASME B 16.5 class 150, ASTM D4024, BS 1560, BS EN 1759
- Special flange adapter ANSI for d25 - d50 and d90 required

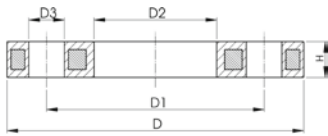
AL: number of holes

* FM 1613 approved - 15 bar

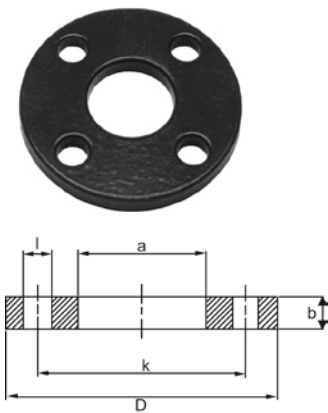
** Profiled loose flange



d	Size	DN	D	PN	Standard	Bolt / circle	Design	Code	Weight
(mm)	(inch)	(mm)	(mm)	(bar)					(kg)
20	½	15	95	16	ASME	class 150	Butt/Socket	727 701 206	0.213
25	¾	20	105	16	ASME	class 150	Butt/Socket	727 701 207	0.260
32	1	25	115	16	ASME	class 150	Butt/Socket	727 701 208	0.416
40	1 ¼	32	140	16	ASME	class 150	Butt/Socket	727 701 209	0.730
50	1 ½	40	150	16	ASME	class 150	Butt/Socket	727 701 210	0.809
63		50	165	16	ASME	class 150	Butt/Socket	727 701 211	0.866
75	2 ½	65	185	16	ASME	class 150	Butt/Socket	727 701 212	1.117
90	3	80	200	16	ASME	class 150	Butt	727 701 313	1.499
110	4	100	229	16	ASME	class 150	Butt	727 701 314	1.739
160	6	150	285	16	Metric/ASME	PN10/ class 150	Butt	727 700 717	3.491
200	8	200	340	16	Metric/ASME	PN10/ class 150	Butt	727 700 719	5.600
225	8	200	340	16	Metric/ASME	PN10/ class 150	Butt	727 700 720	5.533
250	10	250	406	10	ASME	class 150	Butt	727 701 321	6.000
315	12	300	483	10	ASME	class 150	Butt	727 701 322	11.800
355	14	350	540	10	ASME	class 150	Butt	727 701 323	17.900
400	16	400	597	10	ASME	class 150	Butt	727 701 324	24.500



d	D1	D2	D3	H max.	AL	SC
(mm)	(mm)	(mm)	(mm)	(mm)		
20	60	28	16	12	4	M12
25	70	34	16	12	4	M12
32	79	42	16	16	4	M12
40	89	51	16	16	4	M16
50	98	62	16	18	4	M16
63	121	78	19	18	4	M16
75	140	92	19	18	4	M16
90	152	108	19	20	4	M16
110	190	128	19	20	8	M16
160	240	178	22	24	8	M20
200	295	235	22	27	8	M20
225	297	238	22	27	8	M20
250	362	293	25	30	12	M24
315	432	338	25	34	12	M24
355	476	376	29	42	12	M27
400	539	429	29	44	16	M27



PVDF Coated Steel for Butt Fusion Systems Inch/ANSI Flange Ring blue coated steel

Material: PVDF blue coated steel

Bolt holes drilled in accordance with ANSI B16.5, Class 150 pattern

d	Size	Code	D	a	k	b	l	Bolt Holes
(mm)	(inch)		(inch)	(inch)	(inch)	(inch)	(inch)	
20	¾	155 701 806	3.50	1.10	2.36	0.28	0.63	4
25	¾	155 701 807	3.86	1.34	2.76	0.28	0.63	4
32	1	155 701 808	4.25	1.65	3.11	0.28	0.63	4
40	1 ¼	155 701 809	4.61	2.01	3.50	0.32	0.63	4
50	1 ½	155 701 810	5.00	2.44	3.86	0.32	0.63	4
63	2	155 701 811	5.98	3.07	4.76	0.39	0.75	4
75	2 ½	155 701 812	7.01	3.62	5.51	0.39	0.75	4
90	3	155 701 813	7.48	4.33	5.98	0.39	0.75	4
110	4	155 703 814	9.02	5.24	7.48	0.39	0.75	8
160	6	155 701 917	10.98	7.05	9.48	0.50	0.88	8
200	8	155 701 919	13.50	9.30	11.73	0.63	0.88	8
225	9	155 701 920	13.50	9.42	11.73	0.63	0.88	8
250	10	155 701 921	16.00	11.35	14.25	0.88	0.88	12
315	12	155 701 923	19.00	13.31	17.00	1.00	1.00	12

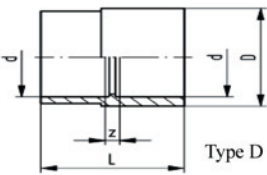
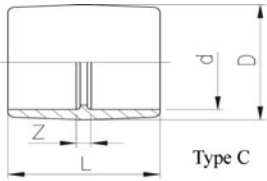
Socket fusion fittings



SYGEF Standard socket equal PN16

Model:

- Material: PVDF
- d40 - d50: combination type reducing bush/ socket equal



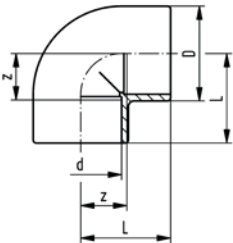
d (mm)	D (mm)	PN (bar)	Type	Code	Weight (kg)	L (mm)	z (mm)
16	26	16	C	735 910 105	0.020	33	7
20	27	16	C	735 910 106	0.016	35	7
25	32	16	C	735 910 107	0.024	39	7
32	40	16	C	735 910 108	0.037	43	7
40	50	16	D	735 910 109	0.062	48	8
50	63	16	D	735 910 110	0.106	54	8
63	75	16	C	735 910 111	0.153	62	8



SYGEF Standard elbow 90° PN16

Model:

- Material: PVDF



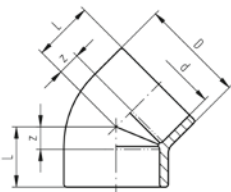
d (mm)	D (mm)	PN (bar)	Code	Weight (kg)	L (mm)	z (mm)
16	26	16	735 100 105	0.030	25	12
20	27	16	735 100 106	0.026	28	14
25	32	16	735 100 107	0.039	32	16
32	40	16	735 100 108	0.066	38	20
40	49	16	735 100 109	0.105	44	24
50	60	16	735 100 110	0.160	51	28
63	75	16	735 100 111	0.281	62	35



SYGEF Standard elbow 45° PN16

Model:

- Material: PVDF



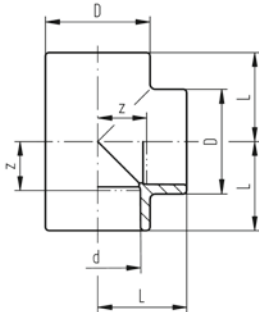
d (mm)	D (mm)	PN (bar)	Code	Weight (kg)	L (mm)	z (mm)
16	23	16	735 150 105	0.017	20	7
20	27	16	735 150 106	0.020	21	7
25	32	16	735 150 107	0.031	24	8
32	40	16	735 150 108	0.051	28	10
40	49	16	735 150 109	0.082	33	13
50	60	16	735 150 110	0.119	36	13
63	75	16	735 150 111	0.212	43	16



SYGEF Standard T 90° equal PN16

Model:

- Material: PVDF



d (mm)	D (mm)	PN (bar)	Code	Weight (kg)	L (mm)	z (mm)
16	26	16	735 200 105	0.039	25	12
20	27	16	735 200 106	0.034	28	14
25	32	16	735 200 107	0.052	32	16
32	40	16	735 200 108	0.090	38	20
40	49	16	735 200 109	0.136	44	24
50	60	16	735 200 110	0.211	51	28
63	75	16	735 200 111	0.370	62	35



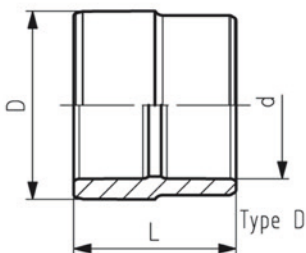
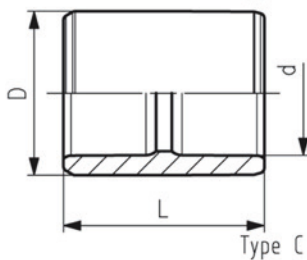
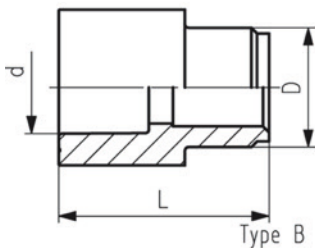
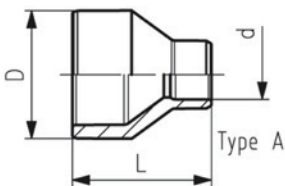
SYGEF Standard reducing bush PN16

Model:

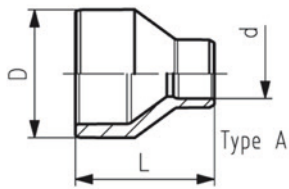
- Material: PVDF

Attention:

- to determine the z-measure please consider the overview of functionality

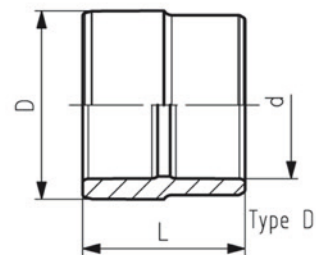
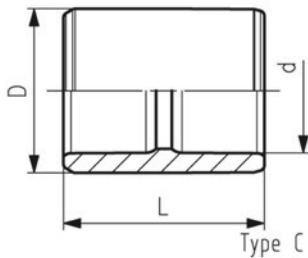
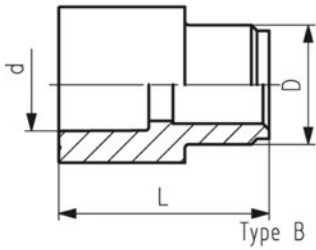


d (mm)	D (mm)	PN (bar)	Type	Code	Weight (kg)	L (mm)
16	20	16	B	735 910 334	0.017	35
20	25	16	A	735 910 337	0.017	37
20	32	16	A	735 910 342	0.024	43
25	32	16	C	735 910 107	0.024	39
20	40	16	A	735 910 348	0.034	48
25	40	16	A	735 910 347	0.037	48
32	40	16	C	735 910 108	0.037	43
20	50	16	A	735 910 355	0.056	54
25	50	16	A	735 910 354	0.058	54
32	50	16	A	735 910 353	0.063	54
40	50	16	D	735 910 109	0.062	48
20	63	16	A	735 910 362	0.102	64



d (mm)	D (mm)	PN (bar)	Type	Code	Weight (kg)	L (mm)
25	63	16	A	735 910 361	0.106	64
32	63	16	A	735 910 360	0.109	64
40	63	16	A	735 910 359	0.118	64
50	63	16	D	735 910 110	0.106	54

overview about functionality



main function							additional functions											
reduction spigot - socket							reduction socket - socket				reduction spigot - spigot				reduction socket - spigot			
Code	PN	L	spigot D	- socket d	L	Z	socket D	- socket d	L	Z	spigot D	- spigot d	L	Z	socket D	- spigot d	L	Z
735 910 334	16	35	20	- 16	35	22												
735 910 337	16	37	25	- 20	37	23												
735 910 342	16	43	32	- 20	43	29	25	- 20	43	13								
735 910 107	16	39	32	- 25	39	23												
735 910 348	16	48	40	- 20	48	34	32	- 20	48	16								
735 910 347	16	48	40	- 25	48	32	32	- 25	48	14	40	- 32	48	48				
735 910 108	16	43	40	- 32	43	25												
735 910 355	16	54	50	- 20	54	40	40	- 20	54	20								
735 910 354	16	54	50	- 25	54	38	40	- 25	54	18	50	- 32	54	54	40	- 32	54	34
735 910 353	16	54	50	- 32	54	36	40	- 32	54	16	50	- 40	54	54				
735 910 109	16	48	50	- 40	48	28												
735 910 362	16	64	63	- 20	64	50	50	- 20	64	27								
735 910 361	16	64	63	- 25	64	48	50	- 25	64	25	63	- 32	64	64	50	- 32	64	41
735 910 360	16	64	63	- 32	64	46	50	- 32	64	23	63	- 40	64	64	50	- 40	64	41
735 910 359	16	64	63	- 40	64	44	50	- 40	64	21	63	- 50	64	64				
735 910 110	16	54	63	- 50	54	31												

please note: illustration of the functions not inevitably conform to respective type!



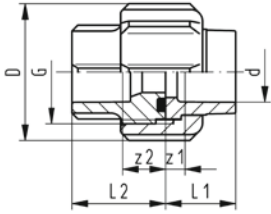
SYGEF Standard end cap PN16

Model:

- Material: PVDF

d (mm)	D (mm)	PN (bar)	Code	Weight (kg)	L (mm)
16	25	16	735 960 105	0.013	24
20	27	16	735 960 106	0.010	23
25	32	16	735 960 107	0.016	26
32	40	16	735 960 108	0.026	30
40	49	16	735 960 109	0.046	34
50	60	16	735 960 110	0.072	39
63	75	16	735 960 111	0.127	46

Socket fusion unions and o-rings

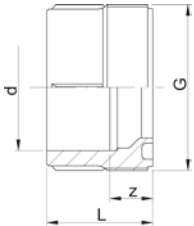


SYGEF Standard union socket fusion (FKM black) PN16

Model:

- Material: PVDF
- With fusion socket metric
- Jointing face: With O-ring groove
- **Supplied with:** O-Ring No. 49 41 00 FKM
- Please see installation instruction

d (mm)	PN (bar)	Code	Weight (kg)	D (mm)	G (inch)	L1 (mm)	L2 (mm)	z1 (mm)	z (mm)
16	16	735 510 105	0.025	35	3/4	18	24	5	11
20	16	735 510 106	0.057	43	1	19	26	5	12
25	16	735 510 107	0.090	53	1 1/4	21	28	5	12
32	16	735 510 108	0.118	60	1 1/2	23	30	5	12
40	16	735 510 109	0.195	74	2	25	34	5	14
50	16	735 510 110	0.244	82	2 1/4	28	39	5	16
63	16	735 510 111	0.403	100	2 3/4	32	47	5	20

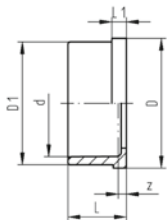


SYGEF Standard union bush socket fusion PN16

Model:

- Material: PVDF
- Suitable for SYGEF Standard Union Socket Fusion

d (mm)	PN (bar)	Code	Weight (kg)	G (inch)	L (mm)	z (mm)
16	16	735 640 105	0.011	3/4	24	11
20	16	735 640 106	0.019	1	26	12
25	16	735 640 107	0.027	1 1/4	28	12
32	16	735 640 108	0.042	1 1/2	30	12
40	16	735 640 109	0.069	2	34	14
50	16	735 640 110	0.091	2 1/4	39	16
63	16	735 640 111	0.159	2 3/4	47	20



SYGEF Standard union end socket fusion PN16

Model:

- Material: PVDF
- Suitable for SYGEF Standard Union Socket Fusion

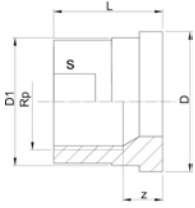
d (mm)	PN (bar)	Code	D (mm)	D1 (mm)	L (mm)	L1 (mm)	z (mm)
16	16	735 600 105	24	22	18	4	5
20	16	735 600 106	30	28	19	5	5
25	16	735 600 107	39	36	21	5	5
32	16	735 600 108	45	42	23	6	5
40	16	735 600 109	57	53	25	6	5
50	16	735 600 110	63	59	28	7	5
63	16	735 600 111	78	74	32	7	5



Union end stainless steel Rp

Model:

- Material: stainless steel 1.4404 (316L)
- Parallel female thread Rp

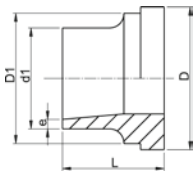


d (mm)	Thread Type	Size (inch)	PN (bar)	Code	Weight (kg)	z (mm)	D (mm)	D1 (mm)	L (mm)	s (mm)
16	Rp	3/8	16	724 600 655	0.030	9	24	22	19	19
20	Rp	1/2	16	724 600 656	0.060	11	30	28	24	24
25	Rp	3/4	16	724 600 657	0.092	11	39	36	26	29
32	Rp	1	16	724 600 658	0.137	12	45	42	29	36
40	Rp	1 1/4	16	724 600 659	0.226	14	57	53	33	45
50	Rp	1 1/2	16	724 600 660	0.314	15	63	59	34	54
63	Rp	2	16	724 600 661	0.438	15	78	74	39	63

Union end stainless steel welding end

Model:

- Material: stainless steel 1.4404 (316L)

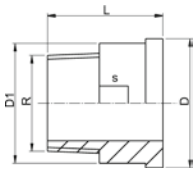


d (mm)	PN (bar)	d1 (mm)	Code	Weight (kg)	D (mm)	D1 (mm)	L (mm)	e (mm)
16	16	17	724 605 505	0.029	24	22	18	1.6
20	16	21	724 605 506	0.046	30	28	22	2.0
25	16	27	724 605 507	0.080	39	36	23	2.0
32	16	34	724 605 508	0.112	45	42	26	2.0
40	16	42	724 605 509	0.188	57	53	26	2.0
50	16	48	724 605 510	0.222	63	59	28	2.0
63	16	60	724 605 511	0.361	78	74	32	2.6

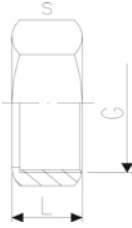
Union end stainless steel R

Model:

- Material: stainless steel 1.4404 (316L)
- Taper male thread R



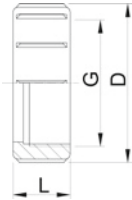
d (mm)	Thread Type	Size (inch)	PN (bar)	Code	Weight (kg)	D (mm)	D1 (mm)	L (mm)	s (mm)
16	R	3/8	16	724 600 705	0.052	24	22	30	19
20	R	1/2	16	724 600 706	0.083	30	28	34	24
25	R	3/4	16	724 600 707	0.125	39	36	36	32
32	R	1	16	724 600 708	0.189	45	42	40	37
40	R	1 1/4	16	724 600 709	0.356	57	53	46	48
50	R	1 1/2	16	724 600 710	0.407	63	59	48	54
63	R	2	16	724 600 711	0.668	78	74	55	69



Union nut stainless steel 1.4404 (316L)

* Octagon union nut

d (mm)	PN (bar)	Code	SP	Weight (kg)	G (inch)	closest inch (inch)	L (mm)	s (mm)
16	16	724 690 105	10	0.060	¾	¾	19	32
20	16	724 690 106	10	0.105	1	½	21	41
25	16	724 690 107	10	0.091	1 ¼	¾	23	46
32	16	724 690 108	10	0.170	1 ½	1	24	55
*	40	724 690 109	10	0.218	2	1 ¼	27	68
*	50	724 690 110	10	0.316	2 ¼	1 ½	31	74
*	63	724 690 111	10	0.364	2 ¾	2	35	88



SYGEF Union nut

Model:

- Material: PVDF
- d75, d90 and d100 with buttress shaped thread
- *just for variable area flow meter

Note:

For the dimensions d75-110 please see instructions for the installation

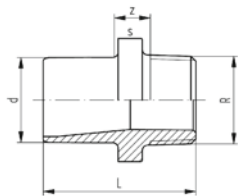
d (mm)	FM	PN (bar)	Code	Weight (kg)	L (mm)	D (mm)	G (inch)
16	SF/BF	16	735 690 405	0.011	21	35	¾
20	SF/BF	16	735 690 406	0.024	22	43	1
25	SF/BF	16	735 690 407	0.036	24	53	1 ¼
32	SF/BF	16	735 690 408	0.048	26	60	1 ½
40	SF/BF	16	735 690 409	0.074	29	74	2
50	SF/BF	16	735 690 410	0.106	33	82	2 ¼
75			198 806 422	0.337			
75 - 90	BF	16	735 690 422	0.289	40	133	
110	BF	16	735 690 423	0.403	42	155	



O-ring

d (mm)	Size (inch)	DN (mm)	EPDM Code
20	¾	15	748 410 006
25	1	20	748 410 007
32	1 ¼	25	748 410 008
40	1 ½	32	748 410 009
50	2	40	748 410 010
63	2 ½	50	748 410 011

Socket fusion transition fittings

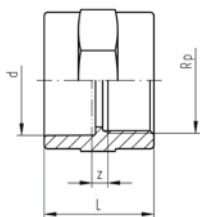


SYGEF Standard adaptor nipple male thread metric R PN16

Model:

- Material: PVDF
- With socket fusion spigot metric and BSP tapered male thread
- Connection to plastic thread only
- Do not use thread sealing pastes that are harmful to PVDF
- Avoid stresses when installing and large changes in temperature

d (mm)	Thread Type	Size (inch)	PN (bar)	Code	Weight (kg)	L (mm)	z (mm)	s (mm)
16	R	3/8	16	735 910 505	0.014	35	12	27
20	R	1/2	16	735 910 506	0.025	53	25	32
25	R	3/4	16	735 910 507	0.033	55	24	36
32	R	1	16	735 910 508	0.053	57	22	46
40	R	1 1/4	16	735 910 509	0.076	60	21	55
50	R	1 1/2	16	735 910 510	0.113	63	19	65
63	R	2	16	735 910 511	0.161	69	18	75

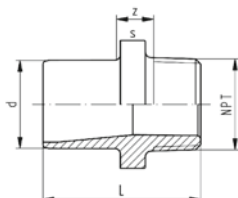


SYGEF Standard adaptor socket female thread Rp PN16

Model:

- Material: PVDF
- With socket fusion end and parallel female thread
- Connection to plastic thread only
- Do not use thread sealing pastes that are harmful to PVDF
- Avoid stresses when installing and large changes in temperature

d (mm)	Thread Type	Size (inch)	PN (bar)	Code	Weight (kg)	L (mm)	s (mm)	z (mm)
20	Rp	1/2	16	735 910 206	0.030	34	32	5
25	Rp	3/4	16	735 910 207	0.036	38	36	6
32	Rp	1	16	735 910 208	0.067	43	46	7
40	Rp	1 1/4	16	735 910 209	0.100	47	55	7
50	Rp	1 1/2	16	735 910 210	0.135	54	65	9
63	Rp	2	16	735 910 211	0.217	62	80	9

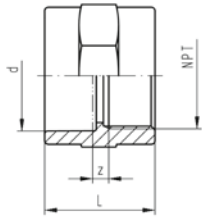


SYGEF Standard adaptor nipple male thread NPT PN 16

Model:

- Material: PVDF
- With socket fusion spigot and taper male thread
- Connection to plastic thread only
- Do not use thread sealing pastes that are harmful to PVDF
- Avoid stresses when installing and large changes in temperature

d (mm)	Thread Type	Size (inch)	PN (bar)	Code	Weight (kg)	L (mm)	s (mm)	z (mm)
16	NPT	3/8	16	735 914 505	0.014	35	27	12
20	NPT	1/2	16	735 914 506	0.027	53	32	25
25	NPT	3/4	16	735 914 507	0.034	55	36	24
32	NPT	1	16	735 914 508	0.053	57	46	22
40	NPT	1 1/4	16	735 914 509	0.080	60	55	21
50	NPT	1 1/2	16	735 914 510	0.113	63	65	19
63	NPT	2	16	735 914 511	0.163	69	75	18

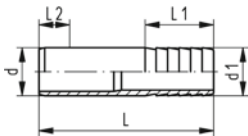


SYGEF Standard adaptor socket female thread metric NPT PN16

Model:

- Material: PVDF
- With socket fusion end and taper female thread
- Connection to plastic thread only
- Do not use thread sealing pastes that are harmful to PVDF
- Avoid stresses when installing and large changes in temperature

d (mm)	Thread Type	Size (inch)	PN (bar)	Code	Weight (kg)	L (mm)	s (mm)	z (mm)
16	NPT	¾	16	735 914 205	0.016	29	27	3
20	NPT	½	16	735 914 206	0.030	34	32	5
25	NPT	¾	16	735 914 207	0.036	38	36	6
32	NPT	1	16	735 914 208	0.067	43	46	7
40	NPT	1 ¼	16	735 914 209	0.100	47	55	7
50	NPT	1 ½	16	735 914 210	0.140	54	65	9
63	NPT	2	16	735 914 211	0.220	62	80	9



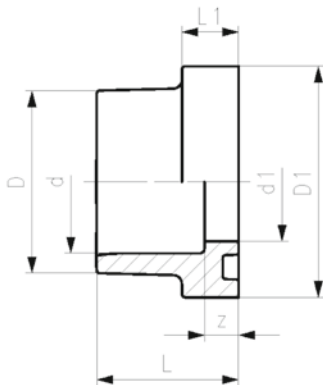
SYGEF Standard hose adaptor PN16

Model:

- Material: PVDF
- With socket fusion spigot metric and parallel hose connection

d - d1 (mm)	PN (bar)	Code	Weight (kg)	L (mm)	L1 (mm)	L2 (mm)
16 - 16	16	735 960 405	0.008	50	27	13
20 - 20	16	735 960 406	0.018	78	27	14
25 - 25	16	735 960 407	0.028	91	36	16
32 - 32	16	735 960 408	0.050	100	36	18
40 - 40	16	735 960 409	0.078	104	42	20
50 - 50	16	735 960 410	0.089	90	48	23
63 - 60	16	735 960 411	0.126	100	50	27

Socket fusion flange adaptors, flanges and gaskets



SYGEF Standard flange adaptor with groove PN16

Model:

- Material: PVDF
- Counterpart: flange adaptor metric or ANSI
- Counterpart: flange adaptor with jointing face serrated
- Gasket: O-ring EPDM No. 48 41 01, FKM No. 49 41 01

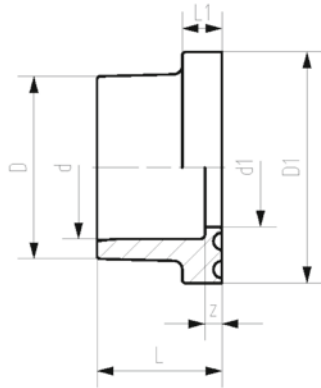
d (mm)	DN (mm)	PN (bar)	Code	Weight (kg)	L (mm)	L1 (mm)	D (mm)	D1 (mm)	d1 (mm)	z (mm)
20	15	16	735 810 106	0.015	22	9	27	34	16	8
25	20	16	735 810 107	0.022	24	10	33	41	21	8
32	25	16	735 810 108	0.035	26	10	41	50	28	8
40	32	16	735 810 109	0.055	30	13	50	61	36	10
50	40	16	735 810 110	0.080	33	13	61	73	45	10
63	50	16	735 810 111	0.134	37	14	76	90	57	10



SYGEF Standard flange adaptor Metric Jointing face serrated PN16

Model:

- Material: PVDF
- Suitable for flange adaptor with groove
- Gasket: profile flange gaskets **FKM** or **EPDM**



d (mm)	DN (mm)	PN (bar)	Code	Weight (kg)	L (mm)	L1 (mm)	D (mm)	D1 (mm)	d1 (mm)	z
20	15	16	735 790 206	0.019	19	6	27	45	16	3
25	20	16	735 790 207	0.037	21	7	33	58	21	3
32	25	16	735 790 208	0.047	23	7	41	68	28	3
40	32	16	735 790 209	0.073	25	8	50	78	36	3
50	40	16	735 790 210	0.096	28	8	61	88	45	3
63	50	16	735 790 211	0.141	32	9	76	102	57	3

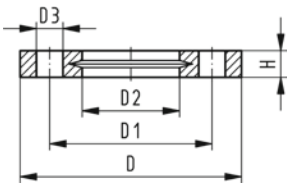


Flanges PP-V (full plastic)

Model:

- Full-plastic flange PP-GF (30 % glass-fibre reinforced)
- Metric: ISO 7005, EN 1092, ISO 9624
- ASME: ANSI/ASME B 16.5 class 150, ASTM D2024, BS 1560, BS EN 1759
- Special flange adapter ANSI for d25 - d50 and d90 required

AL: number of holes



d (mm)	DN (mm)	d (inch)	PN (bar)	Standard	Bolt / circle	Design	Code	Weight (kg)
20	15		16	Metric	PN10	Butt/Socket	727 700 406	0.093
25	20		16	Metric	PN10	Butt/Socket	727 700 407	0.120
32	25		16	Metric	PN10	Butt/Socket	727 700 408	0.151
40	32		16	Metric	PN10	Butt/Socket	727 700 409	0.244
50	40		16	Metric	PN10	Butt/Socket	727 700 410	0.297
63	50		16	Metric	PN10	Butt/Socket	727 700 411	0.362

d (mm)	D (mm)	D1 (mm)	D2 (mm)	D3 (mm)	H max. (mm)	AL	SC
20	95	65	28	14	16	4	M12
25	105	75	34	14	17	4	M12
32	115	85	42	14	18	4	M12
40	140	100	51	18	20	4	M16
50	150	110	62	18	22	4	M16
63	165	125	78	18	24	4	M16



Flanges PP-Steel

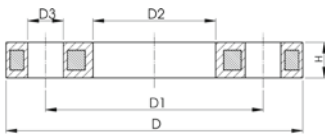
Model:

- Material: PP (30% glass-fibre reinforced) with steel ring
- Metric: ISO 7005, EN 1092, ISO 9624
- ASME: ANSI/ASME B 16.5 class 150, ASTM D4024, BS 1560, BS EN 1759
- Special flange adapter ANSI for d25 - d50 and d90 required

AL: number of holes

* FM 1613 approved - 15 bar

** Profiled loose flange



d	Size	DN	D	PN	Standard	Bolt / circle	Design	Code	Weight
(mm)	(inch)	(mm)	(mm)	(bar)					(kg)
20		15	95	16	Metric	PN10	Butt/Socket	727 700 206	0.216
25		20	105	16	Metric	PN10	Butt/Socket	727 700 207	0.279
32		25	115	16	Metric	PN10	Butt/Socket	727 700 208	0.429
40		32	140	16	Metric	PN10	Butt/Socket	727 700 209	0.621
50		40	150	16	Metric	PN10	Butt/Socket	727 700 210	0.722
63	2	50	165	16	Metric	PN10	Butt/Socket	727 700 211	0.900

d	D1	D2	D3	H max.	AL	SC
(mm)	(mm)	(mm)	(mm)	(mm)		
20	65	28	14	12	4	M12
25	75	34	14	12	4	M12
32	85	42	14	16	4	M12
40	100	51	18	16	4	M16
50	110	62	18	20	4	M16
63	125	78	18	20	4	M16

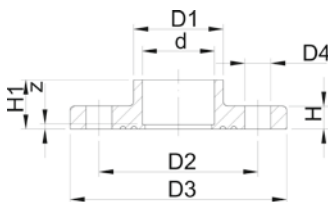


SYGEF Standard fixed flange For socket fusion metric Combined jointing face: flat and serrated

Model:

- Material: PVDF
- Connecting dimension: ISO 7005 PN10, EN 1092 PN10, DIN 2501 PN10

AL: number of holes



d	DN	PN	Inch	Code	Weight	D1	D2	D3	D4	H	H1	AL	z
(mm)	(mm)	(bar)	(inch)		(kg)	(mm)	(mm)	(mm)	(mm)	(mm)	(mm)		(mm)
20	15	16	1/2	735 740 106	0.121	27	65	93	14	12	19	4	5
25	20	16	3/4	735 740 107	0.162	33	75	103	14	13	21	4	4
32	25	16	1	735 740 108	0.229	40	85	115	14	14	23	4	4
40	32	16	1 1/4	735 740 109	0.340	50	100	137	18	15	25	4	4
50	40	16	1 1/2	735 740 110	0.409	61	110	147	18	16	27	4	4
63	50	16	2	735 740 111	0.551	76	125	162	18	18	31	4	4



Profile Flange Gasket EPDM/FKM metric

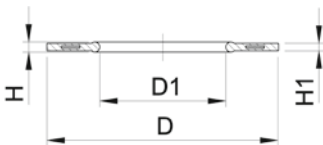
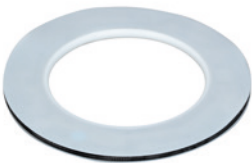
Model:

- For all metric GF Flange Adaptors
- Hardness: 70° Shore EPDM, 75° Shore FKM
- EPDM: approved acc. to DVGW Water W 270, KTW recommendation
- Centering on the inner diameter of the screw crown
- material steel insert: carbon steel
- Rubber-steel body combined with rubber profile cord ring up to d630
- Rubber-steel body ideal for big dimensions (d710 - d1000)

di FA are the suitable inner diameters of flanges adaptors

d (mm)	DN (mm)	PN (bar)	EPDM Code	FKM Code	Weight (kg)	D (mm)	D1 (mm)	di FA (mm)	H (mm)	H1 (mm)
16	10	16	748 440 705	749 440 705	0.012	46	16	6 - 16	4	3
25	20	10	748 440 707	749 440 707	0.014	61	22	12 - 22	4	3
32	25	16	748 440 708	749 440 708	0.019	71	28	18 - 28	4	3
50	40	16	748 440 710	749 440 710	0.039	92	46	36 - 46	4	3
63	50	16	748 440 711	749 440 711	0.050	107	58	48 - 58	5	4

Profile Flange Gasket, metric MPTFE envelope / EPDM inside

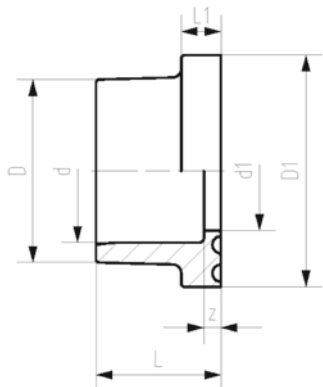


Model:

- For all metric GF Flange Adaptors
- Centering on the inner diameter of the bolt circle
- Envelope made of modified PTFE with diffusion barrier
- Ideal for aggressive media, High-Purity and silicone-free / paint compatible (acc. VDMA test)
- EPDM Profile Flange Gasket inside
- Individually bagged
- Suitable for contact with food stuff (conform to FDA 21 § 177.1550)

d (mm)	DN (mm)	PN (bar)	MPTFE/ EPDM Code	D (mm)	D1 (mm)	di FA (mm)	H (mm)	H1 (mm)
20	15	16	747 440 706	51	20	10 - 20	4	3
25	20	16	747 440 707	61	22	12 - 22	4	3
32	25	16	747 440 708	71	28	18 - 28	4	3
40	32	16	747 440 709	82	40	30 - 40	4	3
52	40	16	747 440 710	92	46	36 - 46	4	3

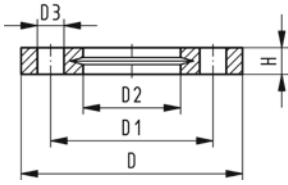
SYGEF Standard flange adaptor ANSI Joining face serrated PN16



Model:

- Material: PVDF
- Counterpart: flange adaptor with joining face serrated
- Face dimension ANSI
- Gasket: flat gasket **FKM** or **EPDM**
- Gasket: profile flange gaskets **FKM** or **EPDM**
- Dimensions d20 and d63 are identical to metric version

d (mm)	d (inch)	DN (mm)	PN (bar)	Code	Weight (kg)	L (mm)	L1 (mm)	D (mm)	D1 (mm)	d1 (mm)	z (mm)
25	¾	20	16	735 790 257	0.037	21	7	33	54	21	3
32	1	25	16	735 790 258	0.051	23	7	41	63	28	3
40	1 ¼	32	16	735 790 259	0.073	25	8	50	73	36	3
50	1 ½	40	16	735 790 260	0.095	28	8	61	82	45	3



Flanges PP-V (full plastic)

Model:

- Full-plastic flange PP-GF (30 % glass-fibre reinforced)
- Metric: ISO 7005, EN 1092, ISO 9624
- ASME: ANSI/ASME B 16.5 class 150, ASTM D2024, BS 1560, BS EN 1759
- Special flange adapter ANSI for d25 - d50 and d90 required

AL: number of holes

d (mm)	DN (mm)	d (inch)	PN (bar)	Standard	Bolt / circle	Design	Code	Weight (kg)
20	15	½	16	ASME	class 150	Butt/Socket	727 701 406	0.091
25	20	¾	16	ASME	class 150	Butt/Socket	727 701 407	0.120
32	25	1	16	ASME	class 150	Butt/Socket	727 701 408	0.147
40	32	1 ¼	16	ASME	class 150	Butt/Socket	727 701 409	0.246
50	40	1 ½	16	ASME	class 150	Butt/Socket	727 701 410	0.299
63	50	2	16	ASME	class 150	Butt/Socket	727 701 411	0.361

d (mm)	D (mm)	D1 (mm)	D2 (mm)	D3 (mm)	H max. (mm)	AL	SC
20	95	60	28	16	16	4	M12
25	105	70	34	16	17	4	M12
32	115	79	42	16	18	4	M12
40	140	89	51	16	20	4	M16
50	150	98	62	16	22	4	M16
63	165	121	78	19	24	4	M16



Flanges PP-Steel

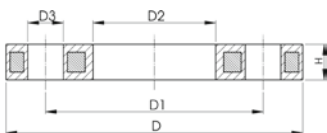
Model:

- Material: PP (30% glass-fibre reinforced) with steel ring
- Metric: ISO 7005, EN 1092, ISO 9624
- ASME: ANSI/ASME B 16.5 class 150, ASTM D4024, BS 1560, BS EN 1759
- Special flange adapter ANSI for d25 - d50 and d90 required

AL: number of holes

* FM 1613 approved - 15 bar

** Profiled loose flange



d (mm)	Size (inch)	DN (mm)	D (mm)	PN (bar)	Standard	Bolt / circle	Design	Code	Weight (kg)
20	½	15	95	16	ASME	class 150	Butt/Socket	727 701 206	0.213
25	¾	20	105	16	ASME	class 150	Butt/Socket	727 701 207	0.260
32	1	25	115	16	ASME	class 150	Butt/Socket	727 701 208	0.416
40	1 ¼	32	140	16	ASME	class 150	Butt/Socket	727 701 209	0.730
50	1 ½	40	150	16	ASME	class 150	Butt/Socket	727 701 210	0.809
63		50	165	16	ASME	class 150	Butt/Socket	727 701 211	0.866

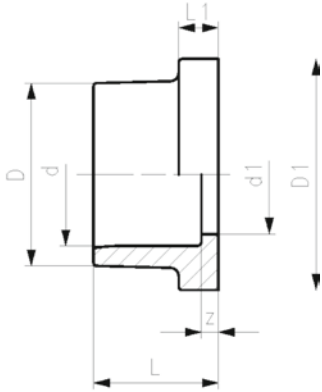
d (mm)	D1 (mm)	D2 (mm)	D3 (mm)	H max. (mm)	AL	SC
20	60	28	16	12	4	M12
25	70	34	16	12	4	M12
32	79	42	16	16	4	M12
40	89	51	16	16	4	M16
50	98	62	16	18	4	M16
63	121	78	19	18	4	M16



SYGEF Standard flange adaptor JIS Jointing face flat PN16

Model:

- Material: PVDF



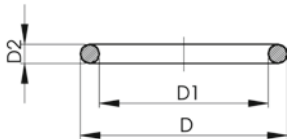
d (mm)	DN (mm)	PN (bar)	Code	Weight (kg)	L (mm)	L1 (mm)	D (mm)	D1 (mm)	d1 (mm)	z (mm)
20	15	16	735 800 106	0.013	19	6	27	34	16	3
25	20	16	735 800 107	0.020	21	7	33	41	21	3
32	25	16	735 800 108	0.030	23	7	41	50	28	3
40	32	16	735 800 109	0.047	25	8	50	60	36	3
50	40	16	735 800 110	0.070	28	8	61	72	45	3
63	50	16	735 800 111	0.115	32	9	75	89	57	3



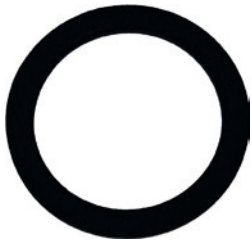
O-Ring gasket

Model:

- For flange adaptors
- Hardness approx. 65° Shore



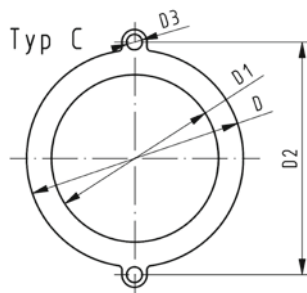
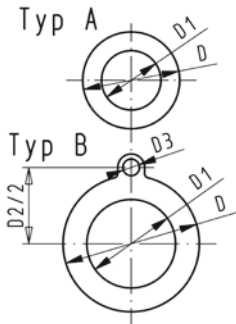
d (mm)	DN (mm)	EPDM Code	Weight (kg)	FKM Code	Weight (kg)	D (mm)	D1 (mm)	D2 (mm)	closest inch (inch)
16	10	748 410 000	0.002	749 410 000	0.005	25.70	18.64	3.53	3/8
25	15	748 410 001	0.002	749 410 001	0.002	30.46	23.40	3.53	1/2
25	20	748 410 007	0.002	749 410 007	0.002	35.23	28.17	3.53	3/4
40	32	748 410 002	0.003	749 410 002	0.003	43.16	36.10	3.53	1
40	32	748 410 003	0.004	749 410 003	0.002	54.50	43.82	5.34	1 1/4
63	50	748 410 012	0.004	749 410 012	0.008	64.02	53.34	5.34	1 1/2
75	65	748 410 013	0.006	749 410 013	0.011	79.90	69.22	5.34	2



Flat gasket EPDM

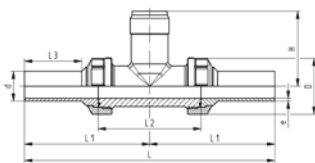
Model:

- For all metric GF Flange Adaptors
 - Hardness approx. 65° Shore
 - Integrated fixation aids from d110
 - Centering on the inner diameter of the screw crown
- di FA are the suitable inner diameters of flanges adaptors



d (mm)	DN (mm)	PN (bar)	Type	EPDM Code	Weight (kg)	D (mm)	D1 (mm)	D2 (mm)	D3 (mm)	H (mm)	di FA (mm)
16	10	10	A	748 400 305	0.004	46	16			2	6 - 26
20	15	10	A	748 400 306	0.012	51	20			2	10 - 30
25	20	10	A	748 400 307	0.004	61	25			2	15 - 35
32	25	10	A	748 400 308	0.008	71	32			2	22 - 42
40	32	10	A	748 400 309	0.013	82	40			3	30 - 50
50	40	10	A	748 400 310	0.016	92	50			3	40 - 60
63	50	10	A	748 400 311	0.018	107	63			3	53 - 73

Installation fittings



SYGEF Standard installation fitting type 318 For Infrared Fusion (IR); Bead and crevice free (BCF); Butt Fusion PN 16

Model:

- Material: PVDF
- Threaded outlet 1 ¼" NPSM
- Union end with butt fusion spigot PVDF

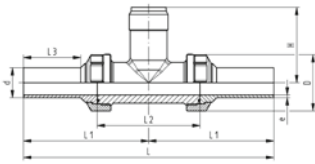
Range of use:

- Compatible Signet flow sensors: type 2551, 2537, 515, 8510, 2536, 8512
- Compatible Signet pH/ORP sensors: type 2724, 2725, 2726, 2734, 2736, 2735

Attention:

- sensor length depends on installation fitting
- supplied with sealing

d (mm)	DN (mm)	PN (bar)	FM	Code	Weight (kg)
20	15	16	BCF, IR	735 318 036	0.240
25	20	16	BCF, IR	735 318 037	0.318
32	25	16	BCF, IR	735 318 038	0.427
40	32	16	BCF, IR	735 318 039	0.588
50	40	16	BCF, IR	735 318 040	0.719
63	50	16	BCF, IR	735 318 041	1.088



d	L3	L2	e	Sensor Type	H	L	L1	D
(mm)	(mm)	(mm)	(mm)		(mm)	(mm)	(mm)	(mm)
20	37	90	2	flow X0, pH XX	76	196	98	45
25	37	100	2	flow X0, pH XX	78	212	106	55
32	40	110	2	flow X0, pH XX	81	228	114	62
40	40	110	2	flow X0, pH XX	85	234	117	75
50	43	120	3	flow X0, pH XX	89	250	125	84
63	43	130	3	flow X0, pH XX	95	266	133	101



SYGEF Standard installation fitting type 310 For socket fusion systems PN 16

Range of use:

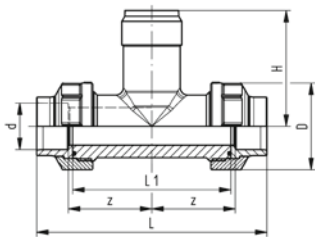
- Compatible Signet pH/ORP sensors: type 2724, 2725, 2726, 2734, 2736, 2735
- Compatible Signet flow sensors: type 2551, 2537, 515, 8510, 2536, 8512

Model:

- Union end with fusion socket PVDF
- Material: PVDF
- Threaded outlet 1 1/4" NPSM
- supplied with sealing

Attention:

- sensor length depends on installation fitting



d	PN	Code	Weight	L1	D	H	L	z	Sensor Type
(mm)	(bar)		(kg)	(mm)	(mm)	(mm)	(mm)	(mm)	
20	16	735 310 036	0.250	90	45	76	128	50	flow X0, pH XX
25	16	735 310 037	0.355	100	55	78	142	55	flow X0, pH XX
32	16	735 310 038	0.427	110	62	81	156	60	flow X0, pH XX
40	16	735 310 039	0.540	110	75	85	160	60	flow X0, pH XX
50	16	735 310 040	0.850	120	84	89	176	65	flow X0, pH XX
63	16	735 310 041	0.987	130	101	95	194	70	flow X0, pH XX



SYGEF Standard installation fitting type 311 Suitable for backing flanges metric and inch

Range of use:

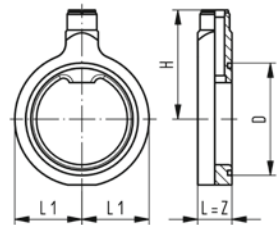
- Compatible Signet flow sensors: type 2551, 2537, 515, 8510, 2536, 8512

Attention:

- sensor length depends on installation fitting

Model:

- Material: PVDF
- Threaded outlet 1 1/4" NPSM
- Suitable for backing flanges metric and inch
- Delivered with profile O-ring



d	d DN	PN	Code	Weight	Sensor Type	D	H	L	L1	
(inch)	(mm)	(mm)	(bar)	(kg)		(mm)	(mm)	(mm)	(mm)	
2 1/2	75	65	16	735 311 042	0.845	flow X1	88	135	48	61
3	90	80	16	735 311 043	1.020	flow X1	102	141	48	69
4	110	100	16	735 311 044	1.192	flow X1	132	152	48	79
	125	100	16	735 311 045	0.990	flow X1	132	147	48	79
5	140	125	16	735 311 046	1.473	flow X1	157	153	48	94
6	160	150	16	735 311 047	1.742	flow X1	182	161	48	106
8	200	200	16	735 311 049	2.643	flow X1	236	175	48	134
8	225	200	16	735 311 050	2.074	flow X1	236	185	48	134

SYGEF Standard installation fitting type 314



Attention:

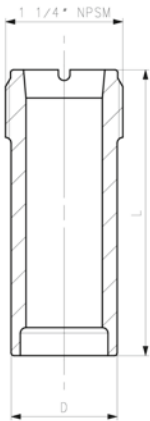
- pressure rate depends on quality of hot gas back welding
- please consult the instruction manual
- Installation by trained and certified welders only
- only for pressureless or low pressure application
- pH sensors can also be used for dimensions above d180/DN150 and below d75/DN65 with 735 314 000 The length might have to be adjusted (sensor has to touch the medium)

Range of use:

- Compatible Signet pH/ORP sensors: type 2724, 2725, 2726, 2734, 2736, 2735
- Compatible Signet flow sensors: type 2551, 2537, 515, 8510, 2536, 8512

Model:

- For conventional hot gas back welding according to DVS 2207 part 3
- Threaded outlet 1 1/4" NPSM
- Material: PVDF



d (mm)	DN	PN* (bar)	Code	Weight (kg)	Sensor Type	D (mm)	L (mm)
75 - 180	65 - 150	-	735 314 000	0.069	flow X0, pH XX	38	68
200 - 355	200 - 350	-	735 314 001	0.100	flow X1	38	102
400 - 630	350 - 600	-	735 314 002	0.173	flow X2	38	178

SYGEF Standard Valves

Hand operated valves

Ball valves



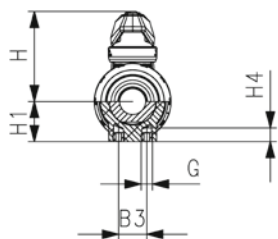
SYGEF Standard Ball Valve type 546 Pro
With butt fusion spigots PVDF ISO IR-PLUS

Model:

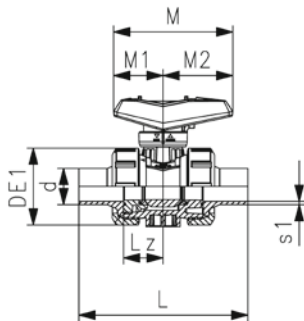
- Lockable lever as standard
- Ball seat PTFE
- Integrated stainless steel mounting inserts
- Z-dimension, valve end and union nut **are compatible** with type 546 (1st Generation)

Option:

- Interface module for position feedback sensor with LED (PNP, NPN and NAMUR)
- Manual spring return lever ("Dead man") (DN10-25)
- Pneumatic or electric actuators from GF
- Individual configuration of the valve possible



d (mm)	DN (mm)	Size (inch)	PN (bar)	kv-value ($\Delta p=1$ bar) (l/min)	FKM Code	SP	Weight (kg)
20	15	½	16	185	175 546 272	1	0.201
25	20	¾	16	350	175 546 273	1	0.301
32	25	1	16	700	175 546 274	1	0.438
40	32	1 ¼	16	1000	175 546 275	1	0.780
50	40	1 ½	16	1600	175 546 276	1	1.110
63	50	2	16	3100	175 546 277	1	1.958
75	65	2 ½	16	5000	175 546 278	1	7.600
90	80	3	16	7000	175 546 279	1	7.457
110	100	4	16	11000	175 546 280	1	17.400



d (mm)	DN (mm)	B3 (mm)	DE1 (mm)	G (mm)	H (mm)	H1 (mm)	H4 (mm)	L (mm)	Lz (mm)	M (mm)	M1 (mm)	M2 (mm)	s1 (mm)
20	15	25	50	M6	60.5	27	12	130	28	82	35	47	1.9
25	20	25	58	M6	74.0	30	12	143	33	106	44	62	2.3
32	25	25	68	M6	80.0	36	12	150	36	106	44	62	3.0
40	32	45	84	M8	95.0	44	15	171	43	131	57	74	3.7
50	40	45	97	M8	101.5	51	15	191	45	131	57	74	4.6
63	50	45	124	M8	116.5	64	15	220	51	152	66	86	5.8
75	65	70	166	M8	169.0	85	15	266	68	270	64	205	8.2
90	80	70	200	M8	180.0	105	15	264	71	270	64	205	10.0
110	100	120	238	M12	194.0	123	22	301	82	326	71	255	12.0



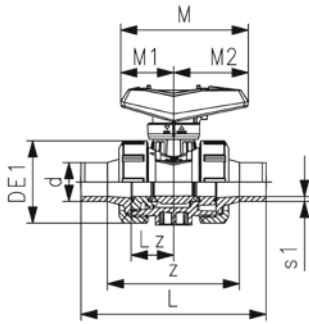
SYGEF Standard Ball Valve type 546 Pro
With sockets fusion spigots PVDF ISO

Model:

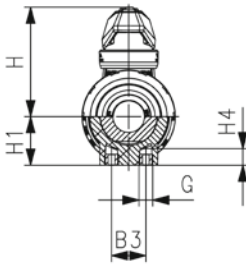
- Lockable lever as standard
- Ball seat PTFE
- Integrated stainless steel mounting inserts
- z-dimension, valve end and union nut are compatible with type 546 (1st Generation)

Option:

- Interface module for position feedback sensor with LED (PNP, NPN and NAMUR)
- Manual spring return lever "Dead man" (DN10-25)
- Pneumatic or electric actuators from GF
- Individual configuration of valves possible



d (mm)	DN (mm)	Size (inch)	PN (bar)	kv-value ($\Delta p=1$ bar) (l/min)	FKM Code	SP	Weight (kg)
16	10	3/8	16	70	175 546 051	1	0.200
20	15	1/2	16	185	175 546 052	1	0.205
25	20	3/4	16	350	175 546 053	1	0.310
32	25	1	16	700	175 546 054	1	0.460
40	32	1 1/4	16	1000	175 546 055	1	0.780
50	40	1 1/2	16	1600	175 546 056	1	1.110
63	50	2	16	3100	175 546 057	1	2.150



d (mm)	B3 (mm)	DE1 (mm)	G (inch)	H (mm)	H1 (mm)	H4 (mm)	L (mm)	Lz (mm)	s1 (mm)	M (mm)	M1 (mm)	M2 (mm)	z (mm)
16	25	50	M6	60.5	27	12	110	28	3.0	82	35	47	84
20	25	50	M6	60.5	27	12	120	28	3.0	82	35	47	92
25	25	58	M6	74.0	30	12	139	33	3.0	106	44	62	107
32	25	68	M6	80.0	36	12	150	36	4.0	106	44	62	114
40	45	84	M8	95.0	44	15	170	43	4.5	131	57	74	130
50	45	97	M8	101.5	51	15	190	45	5.5	131	57	74	144
63	45	124	M8	116.5	64	15	220	51	7.0	152	66	86	166



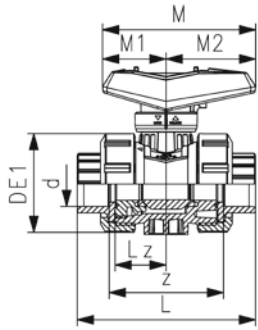
SYGEF Standard Ball Valve type 546 Pro
With fusion sockets PVDF ISO

Model:

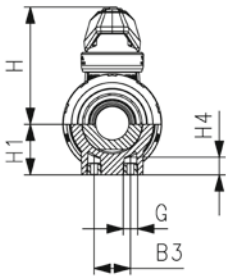
- Lockable lever as standard
- Ball seat PTFE
- Integrated stainless steel mounting inserts
- Z-dimension, valve end and union nut **are compatible** with type 546 (1st Generation)

Option:

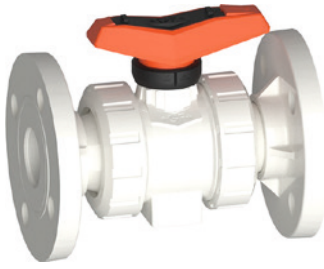
- Interface module for position feedback sensor with LED (PNP, NPN and NAMUR)
- Manual spring return lever ("Dead man") (DN10-25)
- Pneumatic or electric actuators from GF
- Individual configuration of the valve possible



d (mm)	DN (mm)	Size (inch)	PN (bar)	kv-value ($\Delta p=1$ bar) (l/min)	FKM Code	SP Weight (kg)	FFKM (Kalrez) Code	SP Weight (kg)		
16	10	3/8	16	71	175 546 411	1	0.195	175 546 721	1	0.195
20	15	1/2	16	185	175 546 412	1	0.197	175 546 722	1	0.200
25	20	3/4	16	350	175 546 413	1	0.302	175 546 723	1	0.300
32	25	1	16	700	175 546 414	1	0.431	175 546 724	1	0.440
40	32	1 1/4	16	1000	175 546 415	1	0.760	175 546 725	1	0.760
50	40	1 1/2	16	1600	175 546 416	1	1.011	175 546 726	1	1.060
63	50	2	16	3100	175 546 417	1	1.856	175 546 727	1	2.055
75	65	2 1/2	16	5000	175 546 418	1	6.300			
90	80	3	16	7000	175 546 419	1	9.500			
110	100	3	16	11000	175 546 420	1	15.000			



d (mm)	DN (mm)	B3 (mm)	DE1 (mm)	G (mm)	H (mm)	H1 (mm)	H4 (mm)	L (mm)	Lz (mm)	M (mm)	M1 (mm)	M2 (mm)	z (mm)
16	10	25	50	M6	60.5	27	12	93	28	82	35	47	67
20	15	25	50	M6	60.5	27	12	95	28	82	35	47	66
25	20	25	58	M6	74.0	30	12	109	33	106	44	62	77
32	25	25	68	M6	80.0	36	12	119	36	106	44	62	83
40	32	45	84	M8	95.0	44	15	135	43	131	57	74	99
50	40	45	97	M8	101.5	51	15	147	45	131	57	74	105
63	50	45	124	M8	116.5	64	15	168	51	152	66	86	117
75	65	70	166	M8	169.0	85	15	233	68	270	64	205	167
90	80	70	200	M8	180.0	105	15	254	71	270	64	205	180
110	100	120	238	M12	194.0	123	22	301	82	326	71	255	215



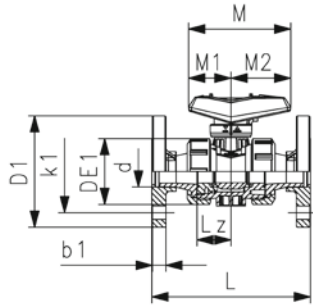
SYGEF Standard Ball valve type 546 Pro
With fixed flange PVDF ISO

Model:

- Lockable lever as standard
- Ball seat PTFE
- Integrated stainless steel mounting inserts
- z-dimension, valve end and union nut are compatible with type 546 (1st Generation)

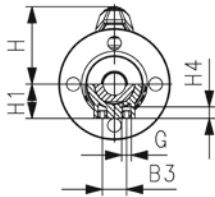
Option:

- Interface module for position feedback sensor with LED (PNP, NPN and NAMUR)
- Manual spring return lever "Dead man" (DN10-25)
- Pneumatic or electric actuators from GF
- Individual configuration of valves possible



d	DN	Size	PN	kv-value	FKM	SP	Weight
(mm)	(mm)	(inch)	(bar)	($\Delta p=1$ bar)	Code		(kg)
				(l/min)			
20	15	½	16	185	175 546 192	1	0.470
25	20	¾	16	350	175 546 193	1	0.650
32	25	1	16	700	175 546 194	1	0.940
40	32	1 ¼	16	1000	175 546 195	1	1.489
50	40	1 ½	16	1600	175 546 196	1	1.889
63	50	2	16	3100	175 546 197	1	3.097

d	b1	B3	DE1	D1	G	H	H1	H4	L	Lz	k1	M	M1	M2
(mm)	(mm)	(mm)	(mm)	(mm)	(inch)	(mm)	(mm)	(mm)	(mm)	(mm)	(mm)	(mm)	(mm)	(mm)
20	12	25	50	95	M6	60.5	27	12	130	28	56	82	35	47
25	12	25	58	105	M6	74.0	27	12	150	28	75	82	35	47
32	14	25	68	115	M6	80.0	30	12	160	33	85	106	44	62
40	16	25	84	140	M8	95.0	36	12	180	36	100	106	44	62
50	16	45	97	150	M8	101.5	44	15	200	43	110	131	57	74
63	18	45	127	165	M8	116.5	51	15	230	45	125	131	57	74





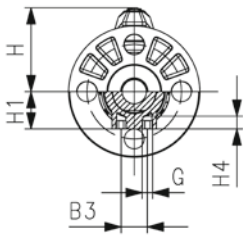
SYGEF Standard Ball Valve type 546 Pro
With backing flanges PP-St ISO with PVDF

Model:

- Lockable lever as standard
- Ball seat PTFE
- Integrated stainless steel mounting inserts
- Z-dimension, valve end and union nut **are compatible** with type 546 (1st Generation)

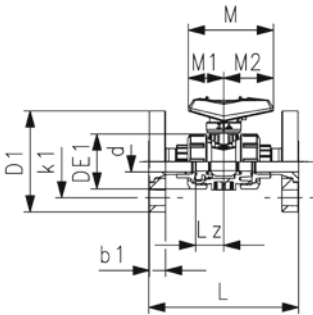
Option:

- Interface module for position feedback sensor with LED (PNP, NPN and NAMUR)
- Manual spring return lever "Dead man" (DN10-25)
- Pneumatic or electric actuators from GF
- Individual configuration of valves possible



d (mm)	DN (mm)	Size (inch)	PN (bar)	kv-value ($\Delta p=1$ bar) (l/min)	FKM Code	SP	Weight (kg)
75	65	2 ½	16	5000	175 546 808	1	11.700
90	80	3	16	7000	175 546 809	1	16.000
110	100	4	16	11000	175 546 810	1	23.900

d (mm)	b1 (mm)	B3 (mm)	D1 (mm)	DE1 (mm)	G (mm)	H (mm)	H1 (mm)	H4 (mm)	k1 (mm)	L (mm)	Lz (mm)	M (mm)	M1 (mm)	M2 (mm)
75	20	70	238	166	M8	169	85	15	145	290	68	270	64	205
90	18	70	166	200	M8	180	105	15	160	310	71	270	64	205
110	20	120	200	238	M12	194	123	22	180	350	82	326	71	255





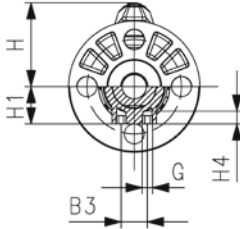
SYGEF Standard Ball Valve type 546 Pro
With backing flanges PP-St ANSI with PVDF

Model:

- Lockable lever as standard
- Ball seat PTFE
- Integrated stainless steel mounting inserts
- Z-dimension, valve end and union nut **are compatible** with type 546 (1st Generation)

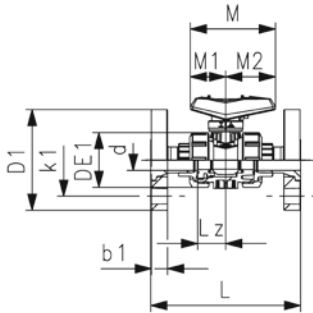
Option:

- Interface module for position feedback sensor with LED (PNP, NPN and NAMUR)
- Manual spring return lever "Dead man" (DN10-25)
- Pneumatic or electric actuators from GF
- Individual configuration of valves possible



d (mm)	DN (mm)	Size (inch)	PN (bar)	kv-value ($\Delta p=1$ bar) (l/min)	FKM Code	SP	Weight (kg)
75	65	2 ½	16	5000	175 546 818	1	11.700
90	80	3	16	7000	175 546 819	1	16.000
110	100	4	16	11000	175 546 820	1	23.900

d (mm)	b1 (mm)	B3 (mm)	DE1 (mm)	G (mm)	H (mm)	H1 (mm)	H4 (mm)	k1 (mm)	L (mm)	Lz (mm)	M (mm)	M1 (mm)	M2 (mm)
75	18	70	166	M8	169	85	15	140	290	68	270	64	205
90	20	70	200	M8	180	105	15	152	310	71	270	64	205
110	20	120	238	M12	194	123	22	190	350	82	326	71	255





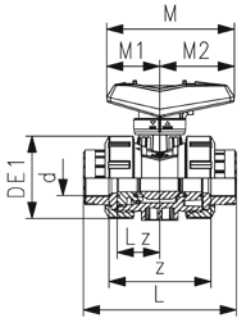
SYGEF Standard Ball Valve type 546 Pro
With threaded sockets PVDF ASTM NPT

Model:

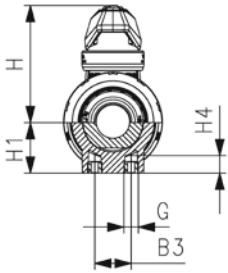
- Lockable lever as standard
- Ball seat PTFE
- Integrated stainless steel mounting inserts
- z-dimension, valve end and union nut are compatible with type 546 (1st Generation)

Option:

- Interface module for position feedback sensor with LED (PNP, NPN and NAMUR)
- Manual spring return lever "Dead man" (DN10-25)
- Pneumatic or electric actuators from GF
- Individual configuration of valves possible



d	DN	Size	PN	kv-value	FKM	Weight
(mm)	(mm)	(inch)	(bar)	($\Delta p=1$ bar)	Code	(kg)
				(l/min)		
16	10	3/8	10	70	175 546 331	0.205
20	15	1/2	10	185	175 546 332	0.205
25	20	3/4	10	350	175 546 333	0.325
32	25	1	10	700	175 546 334	0.490
40	32	1 1/4	10	1000	175 546 335	0.820
50	40	1 1/2	10	1600	175 546 336	1.135
63	50	2	10	3100	175 546 337	2.150



d	B3	DE1	G	H	H1	H4	L	Lz	M	M1	M2	z
(mm)	(mm)	(mm)	(mm)	(mm)	(mm)	(mm)	(mm)	(mm)	(mm)	(mm)	(mm)	(mm)
16	25	50	M6	60.5	27	12	95	28	82	35	47	69
20	25	50	M6	60.5	27	12	100	28	82	35	47	67
25	25	58	M6	74.0	30	12	114	33	106	44	62	78
32	25	68	M6	80.0	36	12	127	36	106	44	62	85
40	45	84	M8	95.0	44	15	146	43	131	57	74	100
50	45	97	M8	101.5	51	15	152	45	131	57	74	106
63	45	124	M8	116.5	64	15	177	51	152	66	86	121



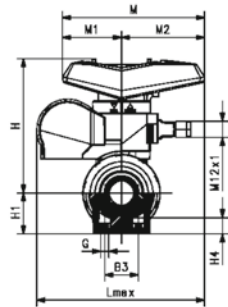
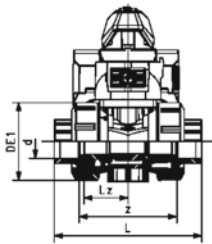
SYGEF Standard Ball valve TYPE 546 Pro
With fusion sockets PVDF ISO
With spring return unit

Model:

- Lockable lever as standard
- Ball seat PTFE
- Integrated stainless steel mounting inserts
- Z-dimension, valve end and union nut **are compatible** with type 546 (1st Generation)

Option:

- Interface module for position feedback sensor with LED (PNP, NPN and NAMUR)
- Manual spring return lever "Dead man" (DN10-25)
- Pneumatic or electric actuators from GF
- Individual configuration of valves possible



d (mm)	DN (mm)	Size (inch)	PN (bar)	kv-value (dp=1bar)	FKM Code	SP	Weight (kg)
16	10	3/8	16	71	175 546 201	1	0.195
20	15	1/2	16	185	175 546 202	1	0.197
25	20	3/4	16	350	175 546 203	1	0.302
32	25	1	16	700	175 546 204	1	0.431

d (mm)	B3 (mm)	DE1 (mm)	G (mm)	H (mm)	H1 (mm)	H4 (mm)	L (mm)	Lz (mm)	M (mm)	M1 (mm)	M2 (mm)	z (mm)
16	25	50	M6	60.5	27	12	93	28	82	35	47	67
20	25	50	M6	60.5	27	12	95	28	82	35	47	66
25	25	58	M6	74.0	30	12	109	33	106	44	62	77
32	25	68	M6	80.0	36	12	119	36	106	44	62	83



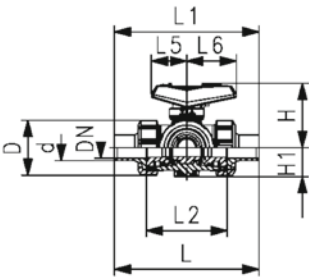
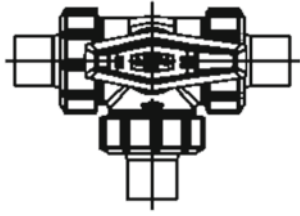
SYGEF Standard 3-Way ball valve type 543 Pro
Horizontal/L-port
With butt fusion spigots IR-Plus metric

Model:

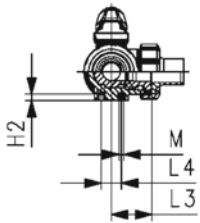
- Lockable lever as standard (DN10-DN50)
- Material: PVDF
- For easy installation and removal (valve end and union nut are compatible with type 546)
- Ball seat PTFE
- Angle of operation 360° without turn limiter
- Turn limiter 90° enclosed, in different positions usable as a clip-on ring
- Integrated stainless steel mounting inserts
- Delivery status A-C opened, see flow scheme
- Z-dimension, valve end and union nut are compatible with type 543 (1stGeneration)

Option:

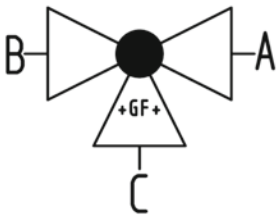
- Interface-module with position feedback sensor, incl. LED feedback (DN10-50)
- Manual spring return lever ("Dead man") (DN10-25)
- Pneumatic or electric actuators from GF
- Individual configuration of the valve possible



d	DN	Size	PN	kv-value	FKM	Weight
(mm)	(mm)	(inch)	(bar)	($\Delta p=1$ bar)	Code	(kg)
				(l/min)		
20	15		10	75	175 543 052	0.332
25	20		10	150	175 543 053	0.480
32	25		10	280	175 543 054	0.735
40	32	1 1/4	10	480	175 543 055	1.226
50	40	1 1/2	10	620	175 543 056	1.859
63	50	2	10	1230	175 543 057	3.370



d	D	H	H1	H2	L	L1	L2	L3	L4	L5	L6	M	e	closest
(mm)	(mm)	(mm)	(mm)	(mm)	(mm)	(mm)	(mm)	(mm)	(mm)	(mm)	(mm)	(mm)	(mm)	inch
														(inch)
20	50	57	28	8	146	77	72	36	25	32	45	6	1.9	1/2
25	58	67	32	8	163	97	85	43	25	39	58	6	1.9	3/4
32	68	73	36	8	178	97	98	49	25	39	58	6	2.4	1
40	84	95	45	9	204	131	118	59	45	57	74	8	2.4	1 1/4
50	97	102	51	9	237	131	135	68	45	57	74	8	3.0	1 1/2
63	124	117	65	9	296	152	176	88	45	66	86	8	3.0	2





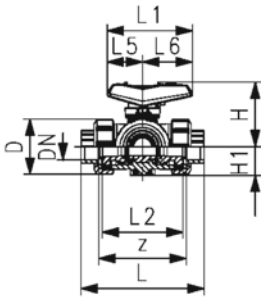
SYGEF Standard 3-Way ball valve type 543 Pro
Horizontal/L-port
With fusion sockets metric

Model:

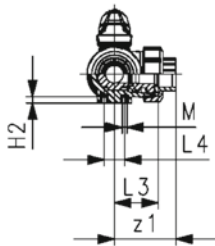
- Lockable lever as standard (DN10-DN50)
- Material: PVDF
- For easy installation and removal (valve end and union nut are compatible with type 546)
- Ball seat PTFE
- Angle of operation 360° without turn limiter
- Turn limiter 90° enclosed, in different positions usable as a clip-on ring
- Integrated stainless steel mounting inserts
- Delivery status A-C opened, see flow scheme
- Z-dimension, valve end and union nut are compatible with type 543 (1stGeneration)

Option:

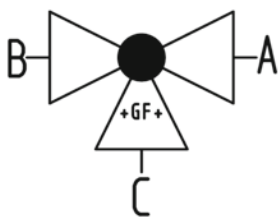
- Interface-module with position feedback sensor, incl. LED feedback (DN10-50)
- Manual spring return lever ("Dead man") (DN10-25)
- Pneumatic or electric actuators from GF
- Individual configuration of the valve possible

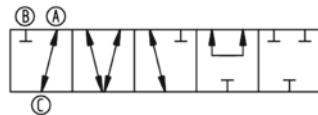
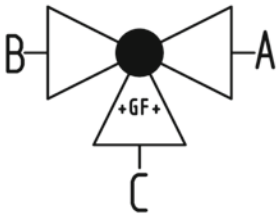
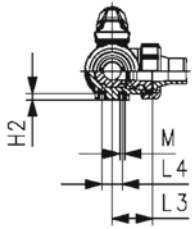
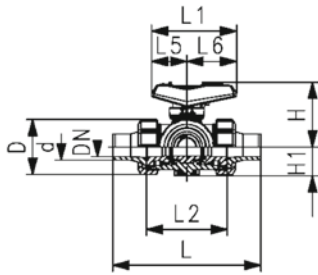
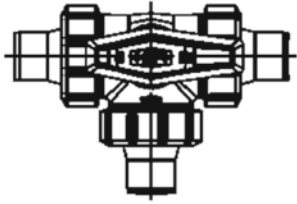


d	DN	Size	PN	kv-value	FKM	Weight
(mm)	(mm)	(inch)	(bar)	($\Delta p=1$ bar)	Code	(kg)
				(L/min)		
16	10		10	50	175 543 011	0.281
20	15		10	75	175 543 012	0.290
25	20		10	150	175 543 013	0.461
32	25		10	280	175 543 014	0.654
40	32	1 ¼	10	480	175 543 015	1.199
50	40	1 ½	10	620	175 543 016	1.647
63	50	2	10	1230	175 543 017	3.227



d	D	H	H1	H2	L	L1	L2	L3	L4	L5	L6	M	z	z1	closest inch
(mm)	(mm)	(mm)	(mm)	(mm)	(mm)	(mm)	(mm)	(mm)	(mm)	(mm)	(mm)		(mm)	(mm)	(inch)
16	50	57	28	8	110	77	72	36	25	32	45	6	82	41	¾
20	50	57	27	8	112	77	72	36	25	32	45	6	82	41	½
25	58	67	30	8	129	97	85	43	25	39	58	6	97	49	¾
32	68	73	36	8	146	97	98	49	25	39	58	6	110	55	1
40	84	95	44	9	170	131	118	59	45	57	74	8	132	66	1 ¼
50	97	102	51	9	193	131	135	68	45	57	74	8	151	76	1 ½
63	124	117	64	9	244	152	176	88	45	66	86	8	188	94	2





SYGEF Standard 3-Way ball valve type 543 Pro
Horizontal/L-port
With socket fusion spigots metric

Model:

- Lockable lever as standard (DN10-DN50)
- Material: PVDF
- For easy installation and removal (valve end and union nut are compatible with type 546)
- Ball seat PTFE
- Angle of operation 360° without turn limiter
- Turn limiter 90° enclosed, in different positions usable as a clip-on ring
- Integrated stainless steel mounting inserts
- Delivery status A-C opened, see flow scheme
- Z-dimension, valve end and union nut are compatible with type 543 (1stGeneration)

Option:

- Interface-module with position feedback sensor, incl. LED feedback (DN10-50)
- Manual spring return lever ("Dead man") (DN10-25)
- Pneumatic or electric actuators from GF
- Individual configuration of the valve possible

d (mm)	DN (mm)	Size (inch)	PN (bar)	kv-value ($\Delta p=1$ bar) (l/min)	FKM Code	Weight (kg)
16	10		10	50	175 543 031	0.320
20	15		10	75	175 543 032	0.296
25	20		10	150	175 543 033	0.480
32	25		10	280	175 543 034	0.735
40	32	1 ¼	10	480	175 543 035	1.226
50	40	1 ½	10	620	175 543 036	1.859
63	50	2	10	1230	175 543 037	3.624

d (mm)	D (mm)	H (mm)	H1 (mm)	H2 (mm)	L (mm)	L1 (mm)	L2 (mm)	L3 (mm)	L4 (mm)	L5 (mm)	L6 (mm)	L7 (mm)	M	closest inch (inch)
16	50	61	28	8	126	82	72	36	25	35	47	133	6	¾
20	50	61	28	8	136	82	72	36	25	35	47	144	6	½
25	58	74	32	8	159	106	85	43	25	44	62	170	6	¾
32	68	80	36	8	178	106	98	49	25	44	62	191	6	1
40	84	95	45	9	204	131	118	59	45	57	74	223	8	1 ¼
50	97	102	51	9	237	131	135	68	45	57	74	256	8	1 ½
63	124	117	65	9	296	152	176	88	45	66	86	319	8	2



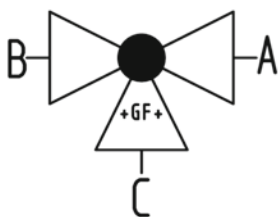
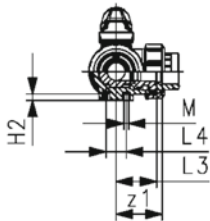
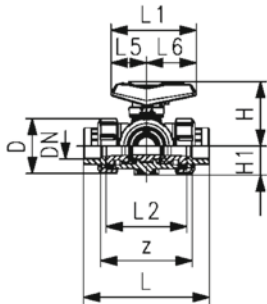
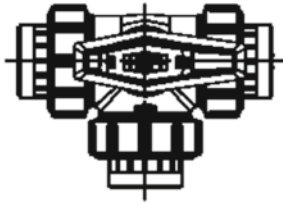
SYGEF Standard 3-Way ball valve type 543 Pro
Horizontal/L-port
With threaded sockets NPT

Model:

- Lockable lever as standard (DN10-DN50)
- Material: PVDF
- For easy installation and removal (valve end and union nut are compatible with type 546)
- Ball seat PTFE
- Angle of operation 360° without turn limiter
- Turn limiter 90° enclosed, in different positions usable as a clip-on ring
- Integrated stainless steel mounting inserts
- Delivery status A-C opened, see flow scheme
- Z-dimension, valve end and union nut are compatible with type 543 (1stGeneration)

Option:

- Interface-module with position feedback sensor, incl. LED feedback (DN10-50)
- Manual spring return lever ("Dead man") (DN10-25)
- Pneumatic or electric actuators from GF
- Individual configuration of the valve possible



d (mm)	DN (mm)	Thread Type	Size (inch)	PN (bar)	kv-value ($\Delta p=1$ bar) (L/min)	FKM Code	Weight (kg)
10		NPT	3/8	10	50	175 543 071	0.312
15		NPT	1/2	10	75	175 543 072	0.320
20		NPT	3/4	10	150	175 543 073	0.461
25		NPT	1	10	280	175 543 074	0.704
40	32	NPT	1 1/4	10	480	175 543 075	1.199
50	40	NPT	1 1/2	10	620	175 543 076	1.778
63	50	NPT	2	10	1230	175 543 077	3.462

d (mm)	D (mm)	H (mm)	H1 (mm)	H2 (mm)	L (mm)	L1 (mm)	L2 (mm)	L3 (mm)	L4 (mm)	L5 (mm)	L6 (mm)	M (mm)	z (mm)	z1 (mm)
50	61	28	8	112	82	72	36	25	35	47	6	86	43	
50	61	28	8	114	82	72	36	25	35	47	6	80	40	
58	74	32	8	131	106	85	43	25	44	62	6	95	48	
68	80	36	8	154	106	98	49	25	44	62	6	110	55	
40	84	95	45	9	180	131	118	59	45	57	74	8	132	66
50	97	102	51	9	203	131	135	68	45	57	74	8	157	79
63	124	117	65	9	258	152	176	88	45	66	86	8	210	105



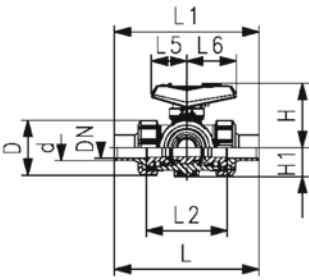
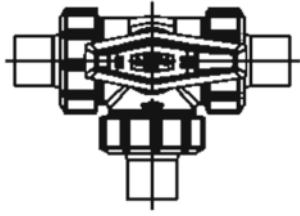
SYGFE Standard 3-Way ball valve type 543 Pro
Horizontal/T-port
With butt fusion spigots IR-Plus metric

Model:

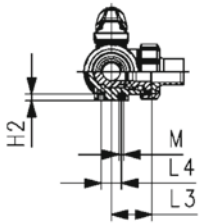
- Material: PVDF
- Lockable lever as standard (DN10-DN50)
- For easy installation and removal (valve end and union nut are compatible with type 546)
- Ball seat PTFE
- Angle of operation 360° without turn limiter
- Turn limiter 90° enclosed, in different positions usable as a clip-on ring
- Integrated stainless steel mounting inserts
- Delivery status A-B-C opened, see flow scheme
- Z-dimension, valve end and union nut are compatible with type 543 (1stGeneration)

Option:

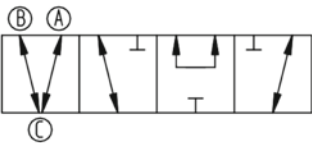
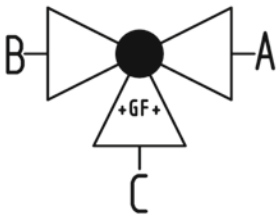
- Interface-module with position feedback sensor, incl. LED feedback (DN10-50)
- Manual spring return lever ("Dead man") (DN10-25)
- Pneumatic or electric actuators from GF
- Individual configuration of the valve possible



d (mm)	DN (mm)	Size (inch)	PN (bar)	kv-value ($\Delta p=1$ bar) (l/min)	FKM Code	Weight (kg)
20	15		10	200	175 543 152	0.321
25	20		10	470	175 543 153	0.478
32	25		10	793	175 543 154	0.655
40	32	1 ¼	10	1290	175 543 155	1.212
50	40	1 ½	10	1910	175 543 156	1.832
63	50	2	10	3100	175 543 157	3.566



d (mm)	D (mm)	H (mm)	H1 (mm)	H2 (mm)	L (mm)	L1 (mm)	L2 (mm)	L3 (mm)	L4 (mm)	L5 (mm)	L6 (mm)	M (mm)	e (mm)	closest inch (inch)
20	50	61	28	8	146	82	72	36	25	35	47	6	1.9	½
25	58	74	32	8	163	106	85	43	25	44	62	6	1.9	¾
32	68	80	36	8	178	106	98	49	25	44	62	6	2.4	1
40	84	95	45	9	204	131	118	59	45	57	74	8	2.4	1 ¼
50	97	102	51	9	237	131	135	68	45	57	74	8	3.0	1 ½
63	124	117	65	9	296	152	176	88	45	66	86	8	3.0	2





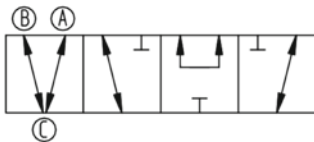
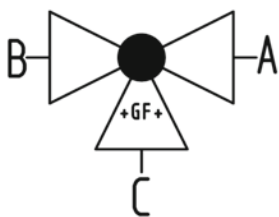
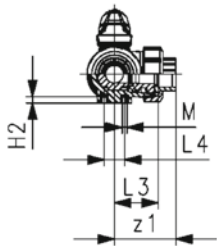
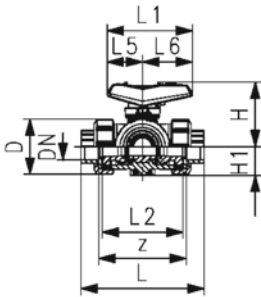
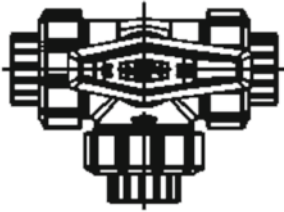
SYGEF Standard 3-Way ball valve type 543 Pro
Horizontal/T-port
With fusion sockets metric

Model:

- Lockable lever as standard (DN10-DN50)
- Material: PVDF
- For easy installation and removal (valve end and union nut are compatible with type 546)
- Ball seat PTFE
- Angle of operation 360° without turn limiter
- Turn limiter 90° enclosed, in different positions usable as a clip-on ring
- Integrated stainless steel mounting inserts
- Delivery status A-B-C opened, see flow scheme
- Z-dimension, valve end and union nut are compatible with type 543 (1stGeneration)

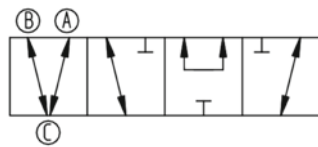
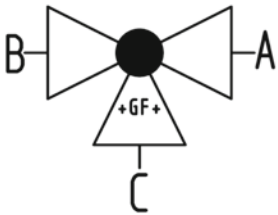
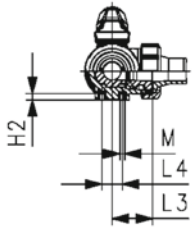
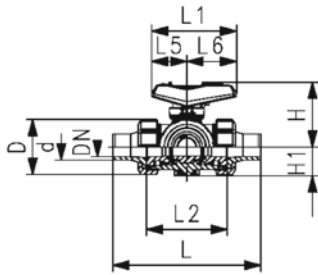
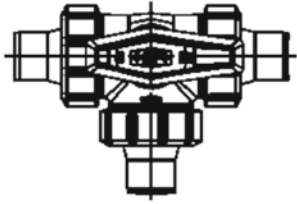
Option:

- Interface-module with position feedback sensor, incl. LED feedback (DN10-50)
- Manual spring return lever ("Dead man") (DN10-25)
- Pneumatic or electric actuators from GF
- Individual configuration of the valve possible



d	DN	Size	PN	kv-value	FKM	Weight
(mm)	(mm)	(inch)	(bar)	($\Delta p=1$ bar)	Code	(kg)
				(L/min)		
16	10		10	140	175 543 111	0.283
20	15		10	200	175 543 112	0.288
25	20		10	470	175 543 113	0.417
32	25		10	793	175 543 114	0.644
40	32	1 ¼	10	1290	175 543 115	1.185
50	40	1 ½	10	1910	175 543 116	1.613
63	50	2	10	3100	175 543 117	3.405

d	D	H	H1	H2	L	L1	L2	L3	L4	L5	L6	M	z	z1	closest
(mm)	(mm)	(mm)	(mm)	(mm)	(mm)	(mm)	(mm)	(mm)	(mm)	(mm)	(mm)		(mm)	(mm)	inch
															(inch)
16	50	61	28	8	110	82	72	36	25	35	47	6	82	41	¾
20	50	61	28	8	112	82	72	36	25	35	47	6	82	41	½
25	58	74	32	8	129	106	85	43	25	44	62	6	97	49	¾
32	68	80	36	8	146	106	98	49	25	44	62	6	110	55	1
40	84	95	45	9	170	131	118	59	45	57	74	8	132	66	1 ¼
50	97	102	51	9	193	131	135	68	45	57	74	8	151	76	1 ½
63	124	117	65	9	244	152	176	88	45	66	86	8	188	94	2



SYGFE Standard 3-Way ball valve type 543 Pro
Horizontal/T-port
With socket fusion spigots metric

Model:

- Material: PVDF
- Lockable lever as standard (DN10-DN50)
- For easy installation and removal (valve end and union nut are compatible with type 546)
- Ball seat PTFE
- Angle of operation 360° without turn limiter
- Turn limiter 90° enclosed, in different positions usable as a clip-on ring
- Integrated stainless steel mounting inserts
- Delivery status A-B-C opened, see flow scheme
- Z-dimension, valve end and union nut are compatible with type 543 (1stGeneration)

Option:

- Interface-module with position feedback sensor, incl. LED feedback (DN10-50)
- Manual spring return lever ("Dead man") (DN10-25)
- Pneumatic or electric actuators from GF
- Individual configuration of the valve possible

d (mm)	DN (mm)	Size (inch)	PN (bar)	kv-value ($\Delta p=1$ bar) (l/min)	FKM Code	Weight (kg)
16	10		10	140	175 543 131	0.287
20	15		10	200	175 543 132	0.330
25	20		10	470	175 543 133	0.478
32	25		10	793	175 543 134	0.726
40	32	1 ¼	10	1290	175 543 135	1.212
50	40	1 ½	10	1910	175 543 136	1.832
63	50	2	10	3100	175 543 137	3.566

d (mm)	D (mm)	H (mm)	H1 (mm)	H2 (mm)	L (mm)	L1 (mm)	L2 (mm)	L3 (mm)	L4 (mm)	L5 (mm)	L6 (mm)	L7 (mm)	M	closest inch (inch)
16	50	61	28	8	126	82	72	36	25	35	47	133	6	¾
20	50	61	28	8	136	82	72	36	25	35	47	144	6	½
25	58	74	32	8	159	106	85	43	25	44	62	170	6	¾
32	68	80	36	8	178	106	98	49	25	44	62	191	6	1
40	84	95	45	9	204	131	118	59	45	57	74	223	8	1 ¼
50	97	102	51	9	237	131	135	68	45	57	74	256	8	1 ½
63	124	117	65	9	296	152	176	88	45	66	86	319	8	2



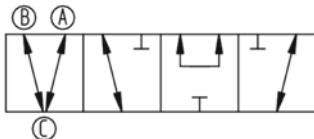
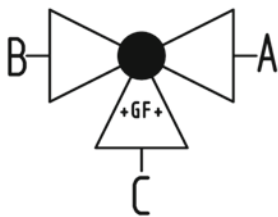
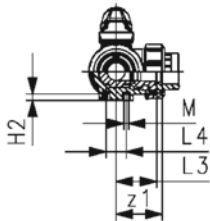
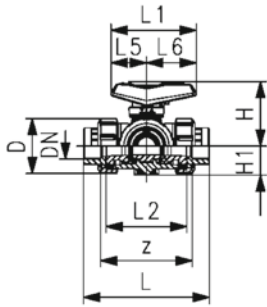
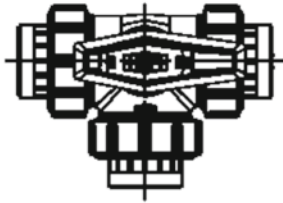
SYGEF Standard 3-Way ball valve type 543 Pro
Horizontal/T-port
With threaded sockets NPT

Model:

- Material: PVDF
- Lockable lever as standard (DN10-DN50)
- For easy installation and removal (valve end and union nut are compatible with type 546)
- Ball seat PTFE
- Angle of operation 360° without turn limiter
- Turn limiter 90° enclosed, in different positions usable as a clip-on ring
- Integrated stainless steel mounting inserts
- Delivery status A-B-C opened, see flow scheme
- Z-dimension, valve end and union nut are compatible with type 543 (1stGeneration)

Option:

- Interface-module with position feedback sensor, incl. LED feedback (DN10-50)
- Manual spring return lever ("Dead man") (DN10-25)
- Pneumatic or electric actuators from GF
- Individual configuration of the valve possible



d (mm)	DN (mm)	Thread Type	Size (inch)	PN (bar)	kv-value ($\Delta p=1$ bar) (l/min)	FKM Code	Weight (kg)
10	10	NPT	3/8	10	140	175 543 171	0.311
15	15	NPT	1/2	10	200	175 543 172	0.319
20	20	NPT	3/4	10	470	175 543 173	0.458
25	25	NPT	1	10	793	175 543 174	0.695
40	32	NPT	1 1/4	10	1290	175 543 175	1.185
50	40	NPT	1 1/2	10	1910	175 543 176	1.751
63	50	NPT	2	10	3100	175 543 177	3.405

D (mm)	H (mm)	H1 (mm)	H2 (mm)	L (mm)	L1 (mm)	L2 (mm)	L3 (mm)	L4 (mm)	L5 (mm)	L6 (mm)	M (mm)	z (mm)	z1 (mm)
50	61	28	8	112	82	72	36	25	35	47	6	86	43
50	61	28	8	114	82	72	36	25	35	47	6	80	40
58	74	32	8	131	106	85	43	25	44	62	6	95	48
68	80	36	8	154	106	98	49	25	44	62	6	110	55
84	95	45	9	180	131	118	59	45	57	74	8	132	66
97	102	51	9	203	131	135	68	45	57	74	8	157	79
124	117	65	9	258	152	176	88	45	66	86	8	210	105



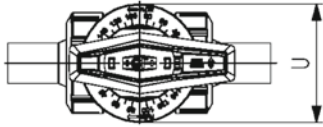
**SYGEF Standard Metering ball valve type 523 Pro
With butt fusion spigots IR-Plus metric**

Model:

- Material: PVDF
- Micro-doser
- Excellent control characteristics
- Designed for easy installation and removal
- Ball seat PTFE
- Angle of operation 180° with scale
- Integrated stainless steel mounting inserts
- Z-length, end connectors and union nuts compatible to Type 523

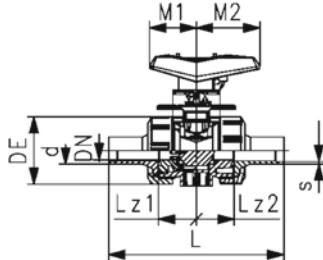
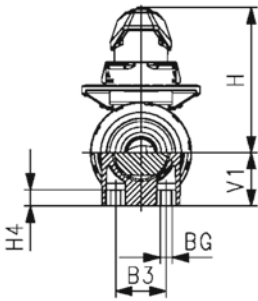
Option:

- Other materials on demand



d	DN	PN	kv-value	FKM	Weight
(mm)	(mm)	(bar)	($\Delta p=1$ bar)	Code	(kg)
20	15	10	20 (L/min)	175 523 492	0.200

d	M1	M2	Lz1	Lz2	L	V1	H	Hmax	DE	BG	B3	H4	U	s
(mm)	(mm)	(mm)	(mm)	(mm)	(mm)	(mm)	(mm)	(mm)	(mm)		(mm)	(mm)	(mm)	(mm)
20	35	47	28	28	130	27	72	99	50	M6	25	12	59	1.9





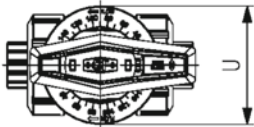
**SYGEF Standard Metering ball valve type 523 Pro
With fusion sockets metric**

Model:

- Material: PVDF
- Micro-doser
- Excellent control characteristics
- Designed for easy installation and removal
- Ball seat PTFE
- Angle of operation 180° with scale
- Integrated stainless steel mounting inserts
- Z-length, end connectors and union nuts compatible to Type 523

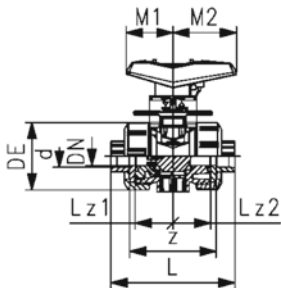
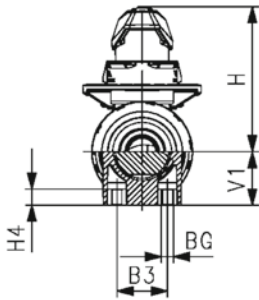
Option:

- Other materials on demand



d (mm)	DN (mm)	PN (bar)	kv-value ($\Delta p=1$ bar) (l/min)	FKM Code	Weight (kg)
16	10	10	11	175 523 411	0.200
20	15	10	20	175 523 412	0.200

d (mm)	M1 (mm)	M2 (mm)	Lz1 (mm)	Lz2 (mm)	L (mm)	V1 (mm)	H (mm)	Hmax (mm)	DE (mm)	BG (mm)	B3 (mm)	H4 (mm)	U (mm)	z (mm)
16	35	47	28	28	93	27	72	99	50	M6	25	12	59	67
20	35	47	28	28	95	27	72	99	50	M6	25	12	59	67





Laboratory Ball Valve Type 522 PVDF
With female thread-male thread

Model:

- Disconnection one end only
- Ball seal PTFE

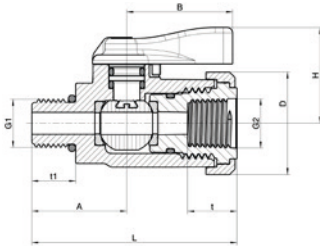
Hose Nozzle

Option:

- Blind plug
- Double nipple
- Clip tie
- Locking and metering ring

Note:

* Oilfree



	d (mm)	DN (mm)	Size (inch)	PN (bar)	FKM Code	SP	Weight (kg)
	10	6	1/8	10	175 522 070	1	0.050
	10	6		10	175 522 170	1	0.050
*	10	6		10	175 522 880	1	0.050

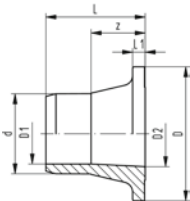
	d (mm)	G1 (mm)	G2 (mm)	A (mm)	B (mm)	D (mm)	H (mm)	L (mm)	t (mm)	t1 (mm)
	10	1/4" BSP	1/4" BSP	26.0	28.2	28	25.5	56.0	13.2	12.0
	10	1/4" NPT	1/4" NPT	28.5	28.2	28	26.0	58.5	13.2	14.5
*	10	1/4" NPT	1/4" NPT	28.5	28.2	28	26.0	58.5	13.2	14.5



SYGEF Standard
Valve end 546 Pro and 543 Pro (G51)
With socket fusion spigot metric

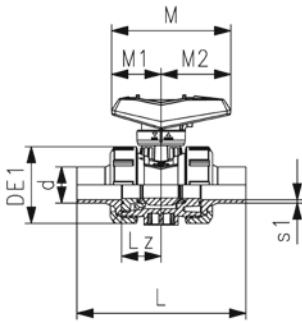
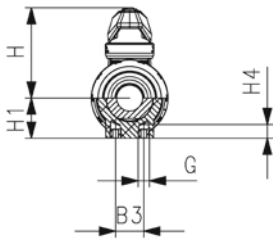
Model:

- Material: PVDF



PN (bar)	d (mm)	Code	Weight (kg)	D (mm)	D1 (mm)	D2 (mm)	L (mm)	L1 (mm)	L2 (mm)	z (mm)
16	16	175 483 036	0.014	38	10	16	27	4	13	14
16	20	175 483 037	0.018	38	14	16	32	4	14	18
16	25	175 483 038	0.025	44	19	20	37	5	16	21
16	32	175 483 039	0.047	53	24	26	40	5	18	22
16	40	175 483 040	0.065	65	31	33	43	5	20	23
16	50	175 483 041	0.112	77	39	41	51	6	23	28
16	63	175 483 042	0.210	99	49	51	60	7	27	33

SYGEF Standard Ball Valve type 546 Pro
Oil-free
With butt fusion spigots PVDF ISO IR-PLUS



Model:

- Lockable lever as standard
- Ball seat PTFE
- Integrated stainless steel mounting inserts
- Z-dimension, valve end and union nut **are compatible** with type 546 (1st Generation)

Option:

- Interface module for position feedback sensor with LED (PNP, NPN and NAMUR)
- Manual spring return lever "Dead man" (DN10-25)
- Pneumatic or electric actuators from GF
- Individual configuration of valves possible

d (mm)	DN (mm)	Size (inch)	PN (bar)	kv-value ($\Delta p=1$ bar) (L/min)	FKM Code	SP	Weight (kg)
20	15	½	16	185	175 546 492	1	0.202
25	20	¾	16	350	175 546 493	1	0.301
32	25	1	16	700	175 546 494	1	0.438
40	32	1 ¼	16	1000	175 546 495	1	0.780
50	40	1 ½	16	1600	175 546 496	1	1.057
63	50	2	16	3100	175 546 497	1	2.150
75	65	2 ½	16	5000	175 546 498	1	6.600
90	80	3	16	7000	175 546 499	1	9.700
110	100	4	16	11000	175 546 500	1	15.300

d (mm)	B3 (mm)	DE1 (mm)	G (mm)	H (mm)	H1 (mm)	H4 (mm)	L (mm)	Lz (mm)	M (mm)	M1 (mm)	M2 (mm)	s1 (mm)
20	25	50	M6	60.5	27	12	130	28	82	35	47	1.9
25	25	58	M6	74.0	30	12	143	33	106	44	62	2.3
32	25	68	M6	80.0	36	12	150	36	106	44	62	3.0
40	45	84	M8	95.0	44	15	171	43	131	57	74	3.7
50	45	97	M8	101.5	51	15	191	45	131	57	74	4.6
63	45	124	M8	116.5	64	15	220	51	152	66	86	5.8
75	70	166	M8	169.0	85	15	266	68	270	64	205	8.2
90	10	200	M8	180.0	105	15	264	71	270	64	205	10.0
110	120	238	M12	194.0	123	22	301	82	326	71	255	12.0



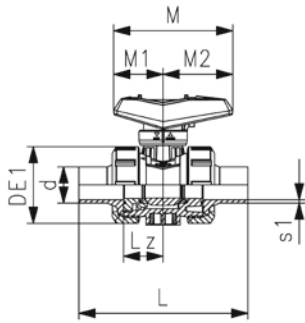
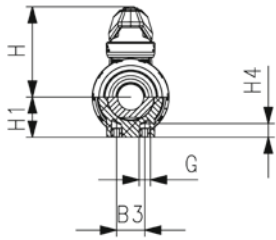
SYGEF Standard Ball Valve type 546 Pro
Silicone free
With butt fusion spigots PVDF ISO IR-PLUS

Model:

- Lockable lever as standard
- Ball seat PVDF
- Integrated stainless steel mounting inserts
- Z-dimension, valve end and union nut **are compatible** with type 546 (1st Generation)

Option:

- Interface module for position feedback sensor with LED (PNP, NPN and NAMUR)
- Manual spring return lever "Dead man" (DN10-25)
- Pneumatic or electric actuators from GF
- Individual configuration of valves possible



d (mm)	DN (mm)	Size (inch)	PN (bar)	kv-value ($\Delta p=1$ bar) (l/min)	FKM Code	SP	Weight (kg)
20	15	½	16	185	175 546 752	1	0.201
25	20	¾	16	350	175 546 753	1	0.310
32	25	1	16	700	175 546 754	1	0.460
40	32	1 ¼	16	1000	175 546 755	1	0.780
50	40	1 ½	16	1600	175 546 756	1	1.110
63	50	2	16	3100	175 546 757	1	2.150
75	65	2 ½	16	5000	175 546 758	1	6.600
90	80	3	16	7000	175 546 759	1	9.700
110	100	4	16	11000	175 546 760	1	15.300

d (mm)	B3 (mm)	DE1 (mm)	G (mm)	H (mm)	H1 (mm)	H4 (mm)	L (mm)	Lz (mm)	M (mm)	M1 (mm)	M2 (mm)	s1 (mm)
20	25	50	M6	60.5	27	12	130	28	82	35	47	1.9
25	25	58	M6	74.0	30	12	143	33	106	44	62	2.3
32	25	68	M6	80.0	36	12	150	36	106	44	62	3.0
40	45	84	M8	95.0	44	15	171	43	131	57	74	3.7
50	45	97	M8	101.5	51	15	191	45	131	57	74	4.6
63	45	124	M8	116.5	64	15	220	51	152	66	86	5.8
75	70	166	M8	169.0	85	15	266	68	270	64	205	8.2
90	70	200	M8	180.0	105	15	264	71	270	64	205	10.0
110	120	238	M12	194.0	123	22	301	82	326	71	255	12.0



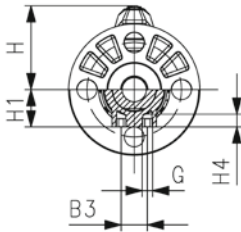
SYGEF Standard Ball Valve type 546 Pro
Silicone free
With backing flanges PP-St ISO with PVDF

Model:

- Lockable lever as standard
- Ball seat PVDF
- Integrated stainless steel mounting inserts
- Z-dimension, valve end and union nut **are compatible** with type 546 (1st Generation)

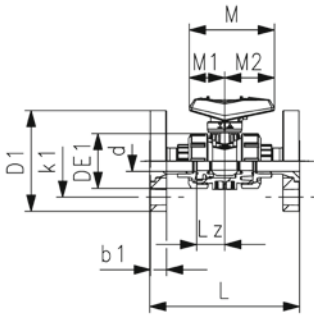
Option:

- Interface module for position feedback sensor with LED (PNP, NPN and NAMUR)
- Manual spring return lever "Dead man" (DN10-25)
- Pneumatic or electric actuators from GF
- Individual configuration of valves possible



d (mm)	DN (mm)	Size (inch)	PN (bar)	kv-value ($\Delta p=1$ bar) (l/min)	FKM Code	SP	Weight (kg)
75	65	2 ½	16	5000	175 546 828	1	11.700
90	80	3	16	7000	175 546 829	1	16.000
110	100	4	16	11000	175 546 830	1	23.900

d (mm)	b1 (mm)	B3 (mm)	D1 (mm)	DE1 (mm)	G (mm)	H (mm)	H1 (mm)	H4 (mm)	k1 (mm)	L (mm)	Lz (mm)	M (mm)	M1 (mm)	M2 (mm)
75	18	70	166	166	M8	169	85	15	145	290	68	270	64	205
90	20	70	200	200	M8	180	105	15	160	310	71	270	64	205
110	20	120	238	238	M12	194	123	22	180	350	82	326	71	255





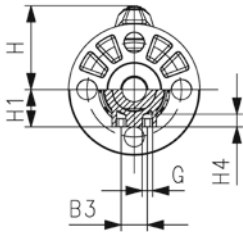
SYGEF Standard Ball Valve type 546 Pro
Silicone free
With backing flanges PP-St ANSI with PVDF

Model:

- Lockable lever as standard
- Ball seat PTFE
- Integrated stainless steel mounting inserts
- Z-dimension, valve end and union nut **are compatible** with type 546 (1st Generation)

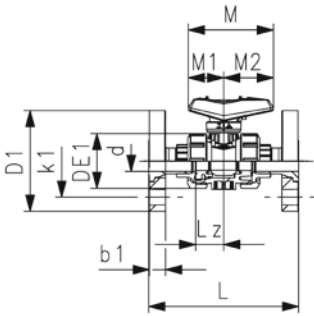
Option:

- Interface module for position feedback sensor with LED (PNP, NPN and NAMUR)
- Manual spring return lever "Dead man" (DN10-25)
- Pneumatic or electric actuators from GF
- Individual configuration of valves possible



d (mm)	DN (mm)	Size (inch)	PN (bar)	kv-value ($\Delta p=1$ bar) (l/min)	FKM Code	SP	Weight (kg)
75	65	2 ½	16	5000	175 546 838	1	11.700
90	80	3	16	7000	175 546 839	1	16.000
110	100	4	16	11000	175 546 840	1	23.900

d (mm)	b1 (mm)	B3 (mm)	D1 (mm)	DE1 (mm)	G (mm)	H (mm)	H1 (mm)	H4 (mm)	k1 (mm)	L (mm)	Lz (mm)	M (mm)	M1 (mm)	M2 (mm)
75	18	70	166	166	M8	169	85	15	140	290	68	270	64	205
90	20	70	200	200	M8	180	105	15	152	310	71	270	64	205
110	20	120	238	238	M12	194	123	22	190	350	82	326	71	255





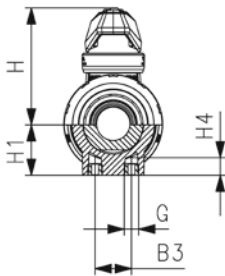
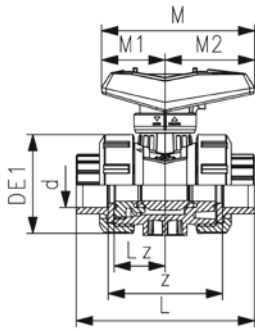
SYGEF Standard Ball Valve type 546 Pro
Silicone free
With fusion sockets PVDF ISO

Model:

- Lockable lever as standard
- Ball seat PVDF
- Integrated stainless steel mounting inserts
- Z-dimension, valve end and union nut **are compatible** with type 546 (1st Generation)

Option:

- Interface module for position feedback sensor with LED (PNP, NPN and NAMUR)
- Manual spring return lever ("Dead man") (DN10-25)
- Pneumatic or electric actuators from GF
- Individual configuration of valves possible



d (mm)	DN (mm)	Size (inch)	PN (bar)	kv-value ($\Delta p=1$ bar) (L/min)	FKM Code	SP	Weight (kg)
16	10	3/8	16	71	175 546 691	1	0.195
20	15	1/2	16	185	175 546 692	1	0.200
25	20	3/4	16	350	175 546 693	1	0.300
32	25	1	16	700	175 546 694	1	0.440
40	32	1 1/4	16	1000	175 546 695	1	0.760
50	40	1 1/2	16	1600	175 546 696	1	1.060
63	50	2	16	3100	175 546 697	1	2.055
75	65	2 1/2	16	5000	175 546 698	1	6.300
90	80	3	16	7000	175 546 699	1	9.500
110	100	4	16	11000	175 546 700	1	15.000

d (mm)	B3 (mm)	DE1 (mm)	G (mm)	H (mm)	H1 (mm)	H4 (mm)	L (mm)	Lz (mm)	M (mm)	M1 (mm)	M2 (mm)	z (mm)
16	25	50	M6	60.5	27	12	93	28	82	35	47	67
20	25	50	M6	60.5	27	12	95	28	82	35	47	66
25	25	58	M6	74.0	30	12	109	33	106	44	62	77
32	25	68	M6	80.0	36	12	119	36	106	44	62	83
40	45	84	M8	95.0	44	15	135	43	131	57	74	99
50	45	97	M8	101.5	51	15	147	45	131	57	74	105
63	45	124	M8	116.5	64	15	168	51	152	66	86	117
75	70	166	M8	169.0	85	15	233	68	270	64	205	167
90	70	200	M8	180.0	105	15	254	71	270	64	205	180
110	120	238	M12	194.0	123	22	301	82	326	71	255	215



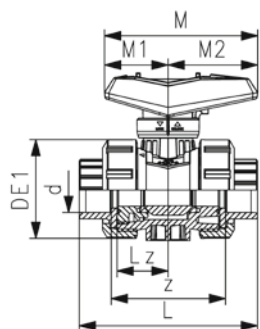
SYGEF Standard Ball Valve type 546 Pro
Oil-free
With fusion sockets PVDF ISO

Model:

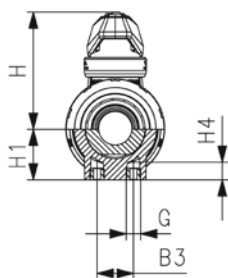
- Lockable lever as standard
- Ball seat PTFE
- Integrated stainless steel mounting inserts
- z-dimension, valve end and union nut are compatible with type 546 (1st Generation)

Option:

- Interface module for position feedback sensor with LED (PNP, NPN and NAMUR)
- Manual spring return lever "Dead man" (DN10-25)
- Pneumatic or electric actuators from GF
- Individual configuration of valves possible



d	DN	Size	PN	kv-value	FKM	SP	Weight
(mm)	(mm)	(inch)	(bar)	($\Delta p=1$ bar)	Code		(kg)
				(L/min)			
16	10	3/8	16	71	175 546 471	1	0.195
20	15	1/2	16	185	175 546 472	1	0.200
25	20	3/4	16	350	175 546 473	1	0.298
32	25	1	16	700	175 546 474	1	0.429
40	32	1 1/4	16	1000	175 546 475	1	0.754
50	40	1 1/2	16	1600	175 546 476	1	1.009
63	50	2	16	3100	175 546 477	1	2.055
75	65	2 1/2	16	5000	175 546 478	1	6.300
90	80	3	16	7000	175 546 479	1	9.500
110	100	4	16	11000	175 546 480	1	15.000



d	B3	DE1	G	H	H1	H4	L	Lz	M	M1	M2	z
(mm)	(mm)	(mm)	(mm)	(mm)	(mm)	(mm)	(mm)	(mm)	(mm)	(mm)	(mm)	(mm)
16	25	50	M6	60.5	27	12	93	28	82	35	47	67
20	25	50	M6	60.5	27	12	95	28	82	35	47	67
25	25	58	M6	74.0	30	12	108	33	106	44	62	77
32	25	68	M6	80.0	36	12	118	36	106	44	62	83
40	45	84	M8	95.0	44	15	136	43	131	57	74	99
50	45	97	M8	101.5	51	15	147	45	131	57	74	105
63	45	124	M8	116.5	64	15	168	51	152	66	86	117
75	70	166	M8	169.0	85	15	233	68	270	64	205	167
90	70	200	M8	180.0	105	15	254	71	270	64	205	180
110	120	238	M12	194.0	123	22	301	82	326	71	255	215



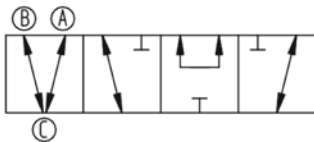
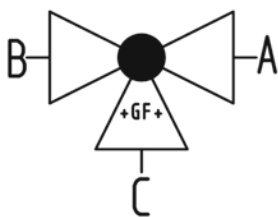
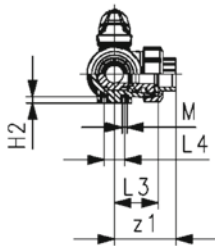
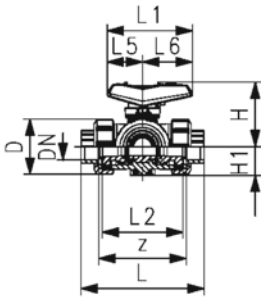
SYGEF Standard 3-Way ball valve type 543 Pro oil free
Horizontal/T-port
With fusion sockets metric

Model:

- Material: PVDF/oil free cleaned
- Lockable lever as standard (DN10-DN50)
- For easy installation and removal (valve end and union nut are compatible with type 546)
- Ball seat PTFE
- Angle of operation 360° without turn limiter
- Turn limiter 90° enclosed, in different positions usable as a clip-on ring
- Integrated stainless steel mounting inserts
- Delivery status A-B-C opened, see flow scheme
- Z-dimension, valve end and union nut are compatible with type 543 (1stGeneration)

Option:

- Interface-module with position feedback sensor, incl. LED feedback (DN10-50)
- Manual spring return lever ("Dead man") (DN10-25)
- Pneumatic or electric actuators from GF
- Individual configuration of the valve possible



d	DN	Size	PN	kv-value	FKM	SP	Weight
(mm)	(mm)	(inch)	(bar)	($\Delta p=1$ bar)	Code		(kg)
				(l/min)			
16	10	3/8	10	140	175 543 631	1	0.311
20	15	1/2	10	200	175 543 632	1	0.319
25	20	3/4	10	470	175 543 633	1	0.458
32	25		10	793	175 543 634	1	0.695
40	32		10	1290	175 543 635	1	1.185
50	40	1 1/2	10	1910	175 543 636	1	1.751
63	50	2	10	3100	175 543 637	1	3.405

d	D	H	H1	H2	L	L1	L2	L3	L4	L5	L6	M	z	z1	closest inch
(mm)	(mm)	(mm)	(mm)	(mm)	(mm)	(mm)	(mm)	(mm)	(mm)	(mm)	(mm)		(mm)	(mm)	(inch)
16	50	61	28	8	110	82	72	36	25	35	47	6	82	41	3/8
20	50	61	28	8	112	82	72	36	25	35	47	6	82	41	1/2
25	58	74	32	8	129	106	85	43	25	44	62	6	97	49	3/4
32	68	80	36	8	146	106	98	49	25	44	62	6	110	55	1
40	84	95	45	9	170	131	118	59	45	57	74	8	132	66	1 1/4
50	97	102	51	9	193	131	135	68	45	57	74	8	151	76	1 1/2
63	124	117	65	9	244	152	176	88	45	66	86	8	188	94	2



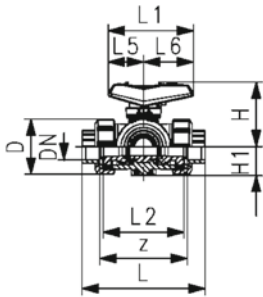
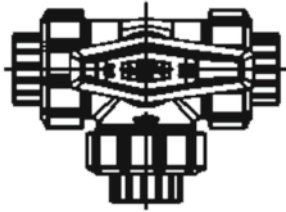
SYGFE Standard 3-Way ball valve type 543 Pro oil free
Horizontal/L-port
With fusion sockets metric

Model:

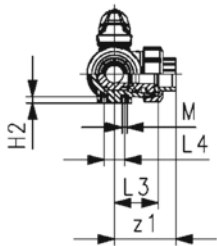
- Material: PVDF/oil free cleaned
- Lockable lever as standard (DN10-DN50)
- For easy installation and removal (valve end and union nut are compatible with type 546)
- Ball seat PTFE
- Angle of operation 360° without turn limiter
- Turn limiter 90° enclosed, in different positions usable as a clip-on ring
- Integrated stainless steel mounting inserts
- Delivery status A-C opened, see flow scheme
- Z-dimension, valve end and union nut are compatible with type 543 (1stGeneration)

Option:

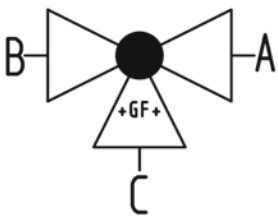
- Interface-module with position feedback sensor, incl. LED feedback (DN10-50)
- Manual spring return lever ("Dead man") (DN10-25)
- Pneumatic or electric actuators from GF
- Individual configuration of the valve possible



d (mm)	DN (mm)	Size (inch)	PN (bar)	kv-value ($\Delta p=1$ bar) (l/min)	FKM Code	SP	Weight (kg)
16	10	3/8	10	50	175 543 611	1	0.312
20	15	1/2	10	75	175 543 612	1	0.320
25	20	3/4	10	150	175 543 613	1	0.423
32	25		10	280	175 543 614	1	0.653
40	32		10	480	175 543 615	1	1.121
50	40	1 1/2	10	620	175 543 616	1	1.778
63	50	2	10	1230	175 543 617	1	3.462



d (mm)	D (mm)	H (mm)	H1 (mm)	H2 (mm)	L (mm)	L1 (mm)	L2 (mm)	L3 (mm)	L4 (mm)	L5 (mm)	L6 (mm)	M (mm)	z (mm)	z1 (mm)	closest inch (inch)
16	50	61	28	8	110	82	72	36	25	35	47	6	82	41	3/8
20	50	61	28	8	112	82	72	36	25	35	47	6	82	41	1/2
25	58	74	32	8	129	106	85	43	25	44	62	6	97	49	3/4
32	68	80	36	8	146	106	98	49	25	44	62	6	110	55	1
40	84	95	45	9	170	131	118	59	45	57	74	8	132	66	1 1/4
50	97	102	51	9	193	131	135	68	45	57	74	8	151	76	1 1/2
63	124	117	65	9	244	152	176	88	45	66	86	8	188	94	2





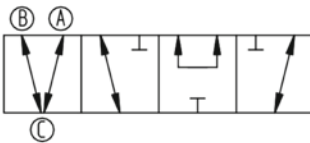
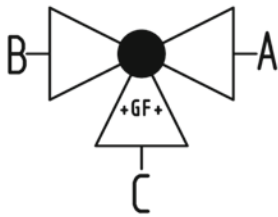
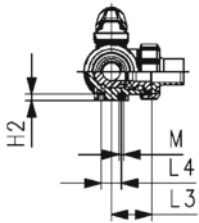
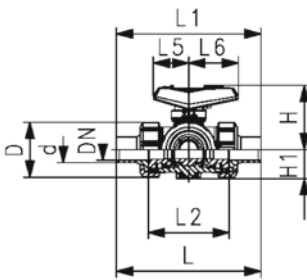
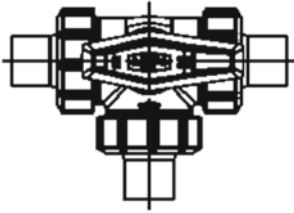
SYGEF Standard 3-Way ball valve type 543 Pro silicone free
Horizontal/T-port
With butt fusion spigots IR-Plus metric

Model:

- Material: PVDF / silicone free cleaned
- Lockable lever as standard (DN10-DN50)
- For easy installation and removal (valve end and union nut are compatible with type 546)
- Ball seat PVDF
- Angle of operation 360° without turn limiter
- Turn limiter 90° enclosed, in different positions usable as a clip-on ring
- Integrated stainless steel mounting inserts
- Delivery status A-B-C opened, see flow scheme
- Z-dimension, valve end and union nut are compatible with type 543 (1stGeneration)

Option:

- Interface-module with position feedback sensor, incl. LED feedback (DN10-50)
- Manual spring return lever ("Dead man") (DN10-25)
- Pneumatic or electric actuators from GF
- Individual configuration of the valve possible



d (mm)	DN (mm)	PN (bar)	kv-value ($\Delta p=1$ bar) (l/min)	FKM Code	SP	Weight (kg)
20	15	10	200	175 543 352	1	0.330
25	20	10	470	175 543 353	1	0.478
32	25	10	793	175 543 354	1	0.726
40	32	10	1290	175 543 355	1	1.212
50	40	10	1910	175 543 356	1	1.832
63	50	10	3100	175 543 357	1	3.566

d (mm)	D (mm)	H (mm)	H1 (mm)	H2 (mm)	L (mm)	L1 (mm)	L2 (mm)	L3 (mm)	L4 (mm)	L5 (mm)	L6 (mm)	M (mm)	e (mm)	closest inch (inch)
20	50	61	28	8	146	82	72	36	25	35	47	6	2	1/2
25	58	74	32	8	163	106	85	43	25	44	62	6	2	3/4
32	68	80	36	8	178	106	98	49	25	44	62	6	2	1
40	84	95	45	9	204	131	118	59	45	57	74	8	2	1 1/4
50	97	102	51	9	237	131	135	68	45	57	74	8	3	1 1/2
63	124	117	65	9	296	152	176	88	45	66	86	8	3	2



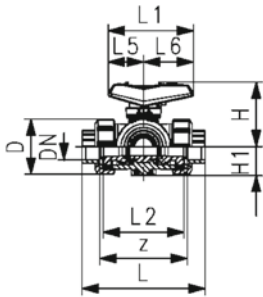
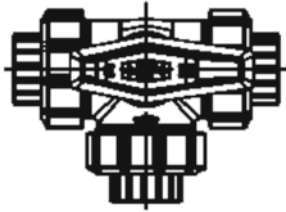
SYGEF Standard 3-Way ball valve type 543 Pro silicone free
Horizontal/T-port
With fusion sockets metric (US version)

Model:

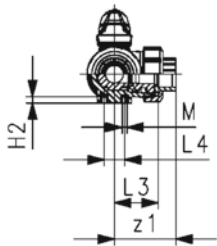
- Material: PVDF / silicone free cleaned
- Lockable lever as standard (DN10-DN50)
- For easy installation and removal (valve end and union nut are compatible with type 546)
- Ball seat PTFE
- Angle of operation 360° without turn limiter
- Turn limiter 90° enclosed, in different positions usable as a clip-on ring
- Integrated stainless steel mounting inserts
- Delivery status A-B-C opened, see flow scheme
- Z-dimension, valve end and union nut are compatible with type 543 (1stGeneration)

Option:

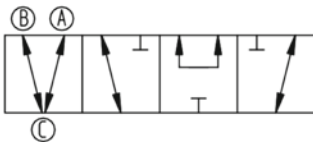
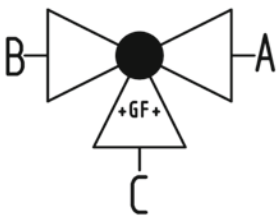
- Interface-module with position feedback sensor, incl. LED feedback (DN10-50)
- Manual spring return lever ("Dead man") (DN10-25)
- Pneumatic or electric actuators from GF
- Individual configuration of the valve possible



d (mm)	DN (mm)	Size (inch)	PN (bar)	kv-value ($\Delta p=1$ bar) (l/min)	FKM Code	SP	Weight (kg)
16	10		10	140	175 543 511	1	0.311
20	15		10	200	175 543 512	1	0.319
25	20		10	470	175 543 513	1	0.458
32	25		10	793	175 543 514	1	0.695
40	32		10	1290	175 543 515	1	1.185
50	40		10	1910	175 543 516	1	1.751
63	50	2	10	3100	175 543 517	1	3.405



d (mm)	D (mm)	H (mm)	H1 (mm)	H2 (mm)	L (mm)	L1 (mm)	L2 (mm)	L3 (mm)	L4 (mm)	L5 (mm)	L6 (mm)	M (mm)	z (mm)	z1 (mm)	closest inch (inch)
16	50	61	28	8	110	82	72	36	25	35	47	6	82	41	$\frac{3}{8}$
20	50	61	28	8	112	82	72	36	25	35	47	6	82	41	$\frac{1}{2}$
25	58	74	32	8	129	106	85	43	25	44	62	6	97	49	$\frac{3}{4}$
32	68	80	36	8	146	106	98	49	25	44	62	6	110	55	1
40	84	95	45	9	170	131	118	59	45	57	74	8	132	66	$1 \frac{1}{4}$
50	97	102	51	9	193	131	135	68	45	57	74	8	151	76	$1 \frac{1}{2}$
63	124	117	65	9	244	152	176	88	45	66	86	8	188	94	2





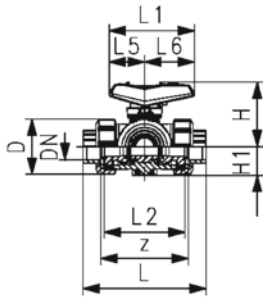
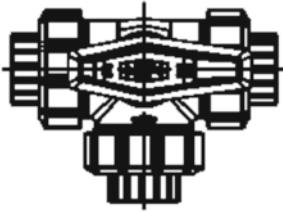
SYGEF Standard 3-Way ball valve type 543 Pro silicone free
Horizontal/T-port
With fusion sockets metric

Model:

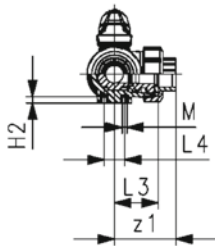
- Material: PVDF / silicone free cleaned
- Lockable lever as standard (DN10-DN50)
- For easy installation and removal (valve end and union nut are compatible with type 546)
- Ball seat PVDF
- Angle of operation 360° without turn limiter
- Turn limiter 90° enclosed, in different positions usable as a clip-on ring
- Integrated stainless steel mounting inserts
- Delivery status A-B-C opened, see flow scheme
- Z-dimension, valve end and union nut are compatible with type 543 (1stGeneration)

Option:

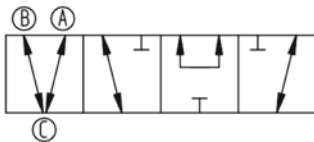
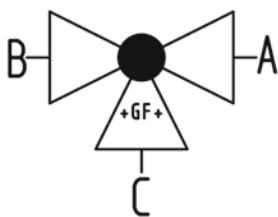
- Interface-module with position feedback sensor, incl. LED feedback (DN10-50)
- Manual spring return lever ("Dead man") (DN10-25)
- Pneumatic or electric actuators from GF
- Individual configuration of the valve possible



d (mm)	DN (mm)	PN (bar)	kv-value ($\Delta p=1$ bar) (l/min)	FKM Code	SP	Weight (kg)
16	10	10	140	175 543 311	1	0.311
20	15	10	200	175 543 312	1	0.319
25	20	10	470	175 543 313	1	0.458
32	25	10	793	175 543 314	1	0.695
40	32	10	1290	175 543 315	1	1.185
50	40	10	1910	175 543 316	1	1.751
63	50	10	3100	175 543 317	1	3.405



d (mm)	D (mm)	H (mm)	H1 (mm)	H2 (mm)	L (mm)	L1 (mm)	L2 (mm)	L3 (mm)	L4 (mm)	L5 (mm)	L6 (mm)	M	z (mm)	z1 (mm)	closest inch (inch)
16	50	61	28	8	110	82	72	36	25	35	47	6	82	41	$\frac{3}{8}$
20	50	61	27	8	112	82	72	36	25	35	47	6	82	41	$\frac{1}{2}$
25	58	74	30	8	129	106	85	43	25	44	62	6	97	49	$\frac{3}{4}$
32	68	80	36	8	146	106	98	49	25	44	62	6	110	55	1
40	84	95	44	9	170	131	118	59	45	57	74	8	132	66	$1 \frac{1}{4}$
50	97	102	51	9	193	131	135	68	45	57	74	8	151	76	$1 \frac{1}{2}$
63	124	117	64	9	244	152	176	88	45	66	86	8	188	94	2





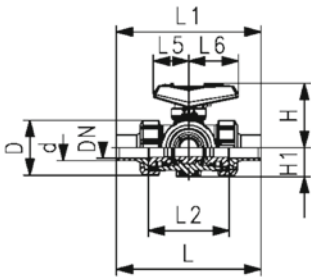
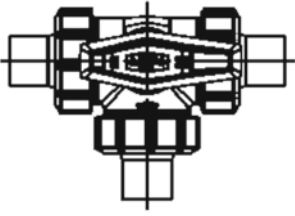
SYGEF Standard 3-Way ball valve type 543 Pro silicone free
Horizontal/L-port
With butt fusion spigots IR-Plus metric

Model:

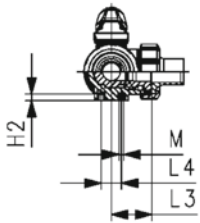
- Material: PVDF / silicone free cleaned
- Lockable lever as standard (DN10-DN50)
- For easy installation and removal (valve end and union nut are compatible with type 546)
- Ball seat PVDF
- Angle of operation 360° without turn limiter
- Turn limiter 90° enclosed, in different positions usable as a clip-on ring
- Integrated stainless steel mounting inserts
- Delivery status A-C opened, see flow scheme
- Z-dimension, valve end and union nut are compatible with type 543 (1stGeneration)

Option:

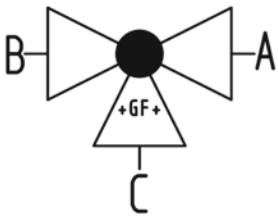
- Interface-module with position feedback sensor, incl. LED feedback (DN10-50)
- Manual spring return lever ("Dead man") (DN10-25)
- Pneumatic or electric actuators from GF
- Individual configuration of the valve possible



d (mm)	DN (mm)	PN (bar)	kv-value ($\Delta p=1$ bar) (l/min)	FKM Code	SP	Weight (kg)
20	15	10	75	175 543 252	1	0.332
25	20	10	150	175 543 253	1	0.480
32	25	10	280	175 543 254	1	0.735
40	32	10	480	175 543 255	1	1.226
50	40	10	620	175 543 256	1	1.859
63	50	10	1230	175 543 257	1	3.624



d (mm)	D (mm)	H (mm)	H1 (mm)	H2 (mm)	L (mm)	L1 (mm)	L2 (mm)	L3 (mm)	L4 (mm)	L5 (mm)	L6 (mm)	M (mm)	e (mm)	closest inch (inch)
20	50	61	28	8	146	82	72	36	25	35	47	6	2	1/2
25	58	74	32	8	163	106	85	43	25	44	62	6	2	3/4
32	68	80	36	8	178	106	98	49	25	44	62	6	2	1
40	84	95	45	9	204	131	118	59	45	57	74	8	2	1 1/4
50	97	102	51	9	237	131	135	68	45	57	74	8	3	1 1/2
63	124	117	65	9	296	152	176	88	45	66	86	8	3	2





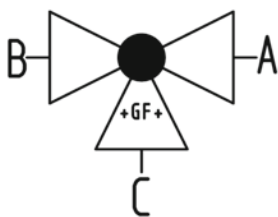
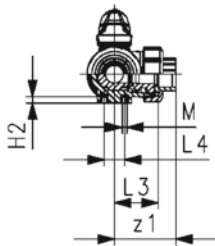
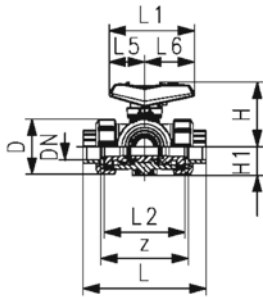
SYGEF Standard 3-Way ball valve type 543 Pro silicone free
Horizontal/L-port
With fusion sockets metric

Model:

- Material: PVDF / silicone free cleaned
- Lockable lever as standard (DN10-DN50)
- For easy installation and removal (valve end and union nut are compatible with type 546)
- Ball seat PVDF
- Angle of operation 360° without turn limiter
- Turn limiter 90° enclosed, in different positions usable as a clip-on ring
- Integrated stainless steel mounting inserts
- Delivery status A-C opened, see flow scheme
- Z-dimension, valve end and union nut are compatible with type 543 (1stGeneration)

Option:

- Interface-module with position feedback sensor, incl. LED feedback (DN10-50)
- Manual spring return lever ("Dead man") (DN10-25)
- Pneumatic or electric actuators from GF
- Individual configuration of the valve possible



d (mm)	DN (mm)	PN (bar)	kv-value ($\Delta p=1$ bar) (l/min)	FKM Code	SP	Weight (kg)
16	10	10	50	175 543 211	1	0.312
20	15	10	75	175 543 212	1	0.320
25	20	10	150	175 543 213	1	0.461
32	25	10	280	175 543 214	1	0.704
40	32	10	480	175 543 215	1	1.199
50	40	10	620	175 543 216	1	1.778
63	50	10	1230	175 543 217	1	3.462

d (mm)	D (mm)	H (mm)	H1 (mm)	H2 (mm)	L (mm)	L1 (mm)	L2 (mm)	L3 (mm)	L4 (mm)	L5 (mm)	L6 (mm)	M	z (mm)	z1 (mm)	closest inch (inch)
16	50	61	28	8	110	82	72	36	25	35	47	6	82	41	$\frac{3}{8}$
20	50	61	28	8	112	82	72	36	25	35	47	6	82	41	$\frac{1}{2}$
25	58	74	32	8	129	106	85	43	25	44	62	6	97	49	$\frac{3}{4}$
32	68	80	36	8	146	106	98	49	25	44	62	6	110	55	1
40	84	95	45	9	170	131	118	59	45	57	74	8	132	66	$1 \frac{1}{4}$
50	97	102	51	9	193	131	135	68	45	57	74	8	151	76	$1 \frac{1}{2}$
63	124	117	65	9	244	152	176	88	45	66	86	8	188	94	2



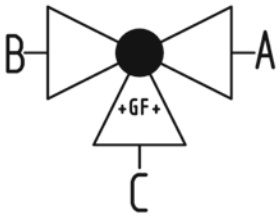
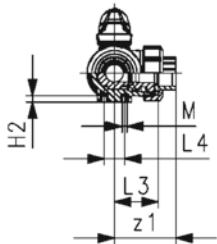
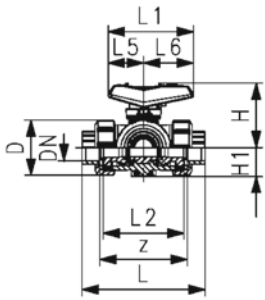
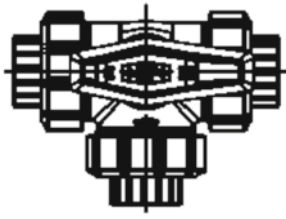
SYGEF Standard 3-Way ball valve type 543 Pro silicone free
Horizontal/L-port
With fusion sockets metric (US version)

Model:

- Lockable lever as standard (DN10-DN50)
- Material: PVDF / silicone free cleaned
- For easy installation and removal (valve end and union nut are compatible with type 546)
- Ball seat PTFE
- Angle of operation 360° without turn limiter
- Turn limiter 90° enclosed, in different positions usable as a clip-on ring
- Integrated stainless steel mounting inserts
- Delivery status A-C opened, see flow scheme
- Z-dimension, valve end and union nut are compatible with type 543 (1stGeneration)

Option:

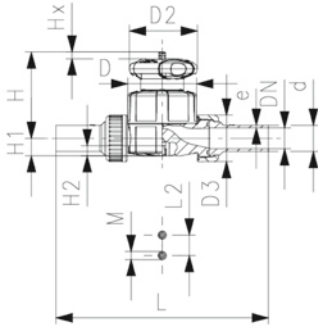
- Interface-module with position feedback sensor, incl. LED feedback (DN10-50)
- Manual spring return lever ("Dead man") (DN10-25)
- Pneumatic or electric actuators from GF
- Individual configuration of the valve possible



d (mm)	DN (mm)	PN (bar)	kv-value ($\Delta p=1$ bar) (l/min)	FKM Code	SP	Weight (kg)
16	10	10	50	175 543 411	1	0.312
20	15	10	75	175 543 412	1	0.320
25	20	10	150	175 543 413	1	0.461
32	25	10	280	175 543 414	1	0.704
40	32	10	480	175 543 415	1	1.199
50	40	10	620	175 543 416	1	1.778
63	50	10	1230	175 543 417	1	3.462

d (mm)	D (mm)	H (mm)	H1 (mm)	H2 (mm)	L (mm)	L1 (mm)	L2 (mm)	L3 (mm)	L4 (mm)	L5 (mm)	L6 (mm)	M (mm)	z (mm)	z1 (mm)	closest inch (inch)
16	50	61	28	8	110	82	72	36	25	35	47	6	82	41	3/8
20	50	61	28	8	112	82	72	36	25	35	47	6	82	41	1/2
25	58	74	32	8	129	106	85	43	25	44	62	6	97	49	3/4
32	68	80	36	8	146	106	98	49	25	44	62	6	110	55	1
40	84	95	45	9	170	131	118	59	45	57	74	8	132	66	1 1/4
50	97	102	51	9	193	131	135	68	45	57	74	8	151	76	1 1/2
63	124	117	65	9	244	152	176	88	45	66	86	8	188	94	2

Diaphragm valves



SYGEF Standard Diaphragm valve type 514 With butt fusion spigots metric

Model:

- Material: PVDF
- Double flow rate compared to predecessor
- One housing nut replaces four screws
- Handwheel with built-in locking mechanism
- For easy installation and removal
- Short overall length

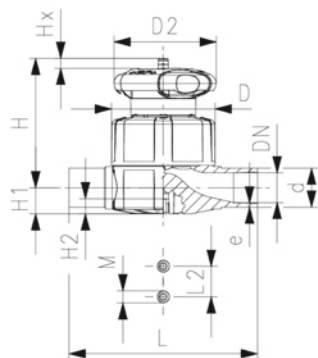
Option:

- Individual configuration of the valve
- Self adjusting multifunctional module with integrated limit switches

* O-Ring material: FKM

d (mm)	DN (mm)	Size (inch)	PN (bar)	kv-value ($\Delta p=1$ bar) (l/min)	PTFE/ EPDM* Code	Weight (kg)	PTFE/FKM* Code
20	15	½	10	125	185 514 132	0.381	185 514 152
25	20	¾	10	271	185 514 133	0.555	185 514 153
32	25	1	10	481	185 514 134	1.048	185 514 154
40	32	1 ¼	10	759	185 514 135	1.401	185 514 155
50	40	1 ½	10	1263	185 514 136	2.036	185 514 156
63	50	2	10	1728	185 514 137	3.395	185 514 157

d (mm)	D (mm)	D2 (mm)	D3 (mm)	H (mm)	H1 (mm)	H2 (mm)	L (mm)	L2 (mm)	M	e (mm)	Lift = Hx (mm)	closest inch (inch)
20	65	65	43	73	14	12	196	25	M6	1.9	7	½
25	80	65	53	81	18	12	221	25	M6	1.9	10	¾
32	88	87	60	107	22	12	234	25	M6	2.4	13	1
40	101	87	74	115	26	15	260	45	M8	2.4	15	1 ¼
50	117	135	82	148	32	15	284	45	M8	3.0	19	1 ½
63	144	135	100	166	39	15	321	45	M8	3.0	25	2



SYGEF Standard Diaphragm valve type 515 With butt fusion spigots metric

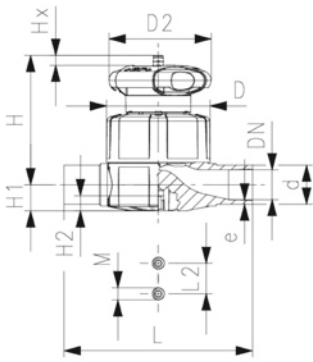
Model:

- Material: PVDF
- Double flow rate compared to predecessor
- One housing nut replaces four screws
- Handwheel with built-in locking mechanism
- Overall length EN 558

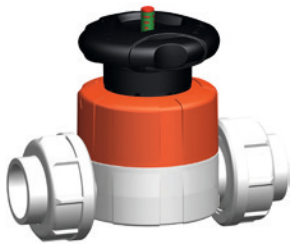
Option:

- Individual configuration of the valve
- Self adjusting multifunctional module with integrated limit switches

d (mm)	PTFE/ EPDM* Code	Weight (kg)
20	185 515 132	0.280
25	185 515 133	0.514
32	185 515 134	0.677
40	185 515 135	0.942
50	185 515 136	2.492
63	185 515 137	2.465



d (mm)	D (mm)	D2 (mm)	H (mm)	H1 (mm)	H2 (mm)	L (mm)	L2 (mm)	M	e (mm)	Lift = Hx (mm)	closest inch (inch)
20	65	65	73	14	12	124	25	M6	1.9	7	½
25	80	65	81	18	12	144	25	M6	1.9	10	¾
32	88	87	107	22	12	155	25	M6	2.4	13	1
40	101	87	115	26	15	176	45	M8	2.4	15	1 ¼
50	117	135	148	32	15	193	45	M8	3.0	19	1 ½
63	144	135	166	39	15	223	45	M8	3.0	25	2



SYGEF Standard Diaphragm valve type 514 With fusion sockets metric

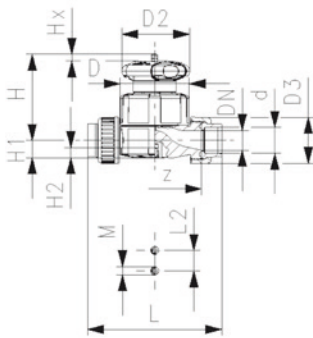
Model:

- Material: PVDF
- Double flow rate compared to predecessor
- One housing nut replaces four screws
- Handwheel with built-in locking mechanism
- For easy installation and removal
- Short overall length

Option:

- Individual configuration of the valve
- Self adjusting multifunctional module with integrated limit switches

* O-Ring material: FKM



d (mm)	DN (mm)	Size (inch)	PN (bar)	kv-value (Δp=1 bar) (l/min)	PTFE/ EPDM* Code	Weight (kg)	PTFE/FKM* Code	Weight (kg)
20	15	½	10	125	185 514 032	0.358	185 514 052	0.349
25	20	¾	10	271	185 514 033	0.546	185 514 053	0.546
32	25	1	10	481	185 514 034	0.969	185 514 054	0.969
40	32	1 ¼	10	759	185 514 035	1.683	185 514 055	1.683
50	40	1 ½	10	1263	185 514 036	2.932	185 514 056	2.932
63	50	2	10	1728	185 514 037	2.995	185 514 057	2.995

d (mm)	D (mm)	D2 (mm)	D3 (mm)	H (mm)	H1 (mm)	H2 (mm)	L (mm)	L2 (mm)	M	z (mm)	Lift = Hx (mm)	closest inch (inch)
20	65	65	43	73	14	12	128	25	M6	100	7	½
25	80	65	53	81	18	12	150	25	M6	118	10	¾
32	88	87	60	107	22	12	162	25	M6	126	13	1
40	101	87	74	115	26	15	184	45	M8	144	15	1 ¼
50	117	135	82	148	32	15	210	45	M8	164	19	1 ½
63	144	135	100	166	39	15	248	45	M8	194	25	2



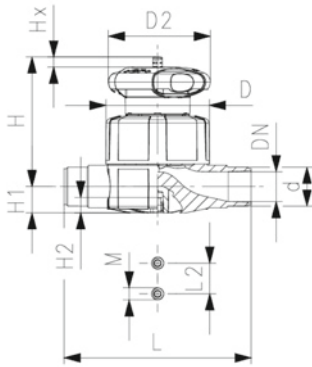
SYGEF Standard Diaphragm valve type 515 With socket fusion spigots metric

Model:

- Material: PVDF
- Double flow rate compared to predecessor
- One housing nut replaces four screws
- Handwheel with built-in locking mechanism
- Overall length EN 558

Option:

- Individual configuration of the valve
- Self adjusting multifunctional module with integrated limit switches



d (mm)	DN (mm)	Size (inch)	kv-value ($\Delta p=1$ bar) (l/min)	PTFE/ EPDM* Code	Weight (kg)
20	15	½	125	185 515 032	0.273
25	20	¾	271	185 515 033	0.426
32	25	1	481	185 515 034	0.684
40	32	1 ¼	759	185 515 035	1.415
50	40	1 ½	1263	185 515 036	1.652
63	50	2	1728	185 515 037	2.569

d (mm)	D (mm)	D2 (mm)	H (mm)	H1 (mm)	H2 (mm)	L (mm)	L2 (mm)	M (mm)	Lift = Hx (mm)	closest inch (inch)
20	65	65	73	14	12	124	25	M6	7	½
25	80	65	81	18	12	144	25	M6	10	¾
32	88	87	107	22	12	154	25	M6	13	1
40	101	87	115	26	15	174	45	M8	15	1 ¼
50	117	135	148	32	15	194	45	M8	19	1 ½
63	144	135	166	39	15	223	45	M8	25	2



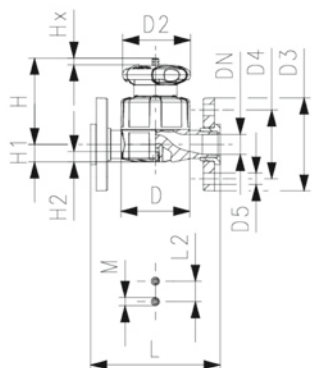
SYGEF Standard Diaphragm valve type 517 With backing flanges PP-V metric BS

Model:

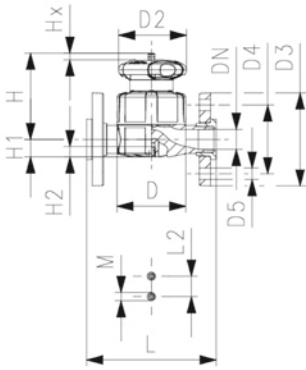
- Material: PVDF
- Double flow rate compared to predecessor
- One housing nut replaces four screws
- Handwheel with built-in locking mechanism
- Joining faces flat/serrated
- Overall length EN 558
- Connecting dimension: ISO 7005 PN 10, EN 1092 PN 10, DIN 2501 PN 10, BS 4504 PN 10

Option:

- Individual configuration of the valve
- Self adjusting multifunctional module with integrated limit switches



d (mm)	DN (mm)	Size (inch)	PN (bar)	kv-value ($\Delta p=1$ bar) (l/min)	PTFE/ EPDM* Code	Weight (kg)	PTFE/FKM* Code	Weight (kg)
20	15	½	10	125	185 517 132	0.586	185 517 152	0.586
25	20	¾	10	271	185 517 133	0.796	185 517 153	0.796
32	25	1	10	481	185 517 134	1.064	185 517 154	1.064
40	32	1 ¼	10	759	185 517 135	2.001	185 517 155	2.001
50	40	1 ½	10	1263	185 517 136	2.369	185 517 156	2.369
63	50	2	10	1728	185 517 137	3.586	185 517 157	3.586



D (mm)	D2 (mm)	D3 (mm)	D4 (mm)	D5 (mm)	H (mm)	H1 (mm)	H2 (mm)	L (mm)	L2 (mm)	M	Lift = Hx (mm)
65	65	95	65	14	73	14	12	130	25	M6	7
80	65	105	75	14	81	18	12	150	25	M6	10
88	87	115	85	14	107	22	12	160	25	M6	13
101	87	140	100	18	115	26	15	180	45	M8	15
117	135	150	110	18	148	32	15	200	45	M8	19
144	135	165	125	18	166	39	15	230	45	M8	25



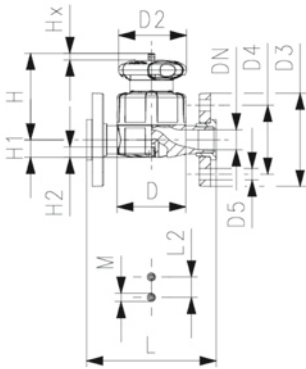
SYGEF Standard Diaphragm valve type 517 With backing flanges PP-V Inch ANSI

Model:

- Material: PVDF
- Double flow rate compared to predecessor
- One housing nut replaces four screws
- Handwheel with built-in locking mechanism
- Jointing face serrated
- Overall length EN 558
- Connecting dimension: ANSI/ASME B 16.5 class 150, ASTM D 4024, BS 1560, BS EN 1759

Option:

- Individual configuration of the valve
 - Self adjusting multifunctional module with integrated limit switches
- * O-Ring material: FKM



Size (inch)	DN (mm)	PN (bar)	kv-value ($\Delta p=1$ bar) (l/min)	PTFE/ EPDM* Code	Weight (kg)	PTFE/FKM* Code
½	15	10	125	185 517 732	0.586	185 517 752
¾	20	10	271	185 517 733	0.796	185 517 753
1	25	10	481	185 517 734	1.050	185 517 754
1 ¼	32	10	759	185 517 735	2.001	185 517 755
1 ½	40	10	1263	185 517 736	3.147	185 517 756
2	50	10	1728	185 517 737	3.514	185 517 757

Size (inch)	D (mm)	D2 (mm)	D3 (mm)	D4 (mm)	D5 (mm)	H (mm)	H1 (mm)	H2 (mm)	L (mm)	L2 (mm)	M	Lift = Hx (mm)
½	65	65	95	60	16	73	14	12	130	25	M6	7
¾	80	65	105	70	16	81	18	12	150	25	M6	10
1	88	87	115	79	16	107	22	12	160	25	M6	13
1 ¼	101	87	140	89	16	115	26	15	180	45	M8	15
1 ½	117	135	150	98	16	148	32	15	200	45	M8	19
2	144	135	165	121	19	166	39	15	230	45	M8	25



SYGEF Standard Diaphragm valve type 317 With flanges metric

Model:

- Material: PVDF
- DN 15-65 with backing flange
- DN 80-150 with fixed flange
- Overall length according to EN 558
- Diaphragm, PTFE with EPDM backing diaphragm (FDA compliant)

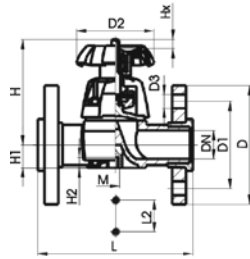
Option:

- Handwheel with built-in locking mechanism (standard version is nonlockable)

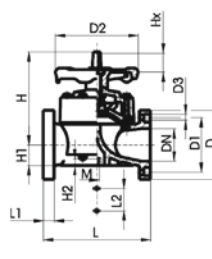
* DN80 and DN150 fixed flanges metric and inch ANSI B16.5

	d (mm)	Size (inch)	DN (mm)	PN (bar)	kv-value ($\Delta p=1$ bar) (l/min)	PTFE with EPDM supp. diaphragm Code	Weight (kg)
	75	2 ½	65	10	992	175 317 438	5.821
*	90	3	80	10	1700	175 317 009	10.760
	110	4	100	6	2700	175 317 010	15.456
*	160	6	150	6	6033	175 317 012	31.500

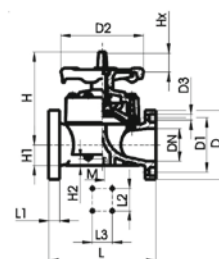
	d (mm)	D (mm)	D1 (mm)	D2 (mm)	D3 (mm)	H (mm)	H1 (mm)	H2 (mm)	L (mm)	L1 (mm)	L2 (mm)	L3 (mm)	M	Lift = Hx (mm)	AL
	75	185	145	152	18	201	46	15	290		70		M8	30	4
*	90	200	160	270	18	265	57	23	310	35	120		M12	40	8
	110	225	180	270	18	302	68	23	350	35	120		M12	50	8
*	160	285	240	400	22	437	108	23	480	26	100	200	M12	70	8



DN 15-65



DN 80-100



DN 150



SYGEF Standard Diaphragm valve type 317 With flanges Inch ANSI

Model:

- Material: PVDF
- DN15-65 with backing flange
- DN80-150 with fixed flange
- Overall length according to EN 558
- Diaphragm, PTFE with EPDM backing diaphragm (FDA compliant)

Option:

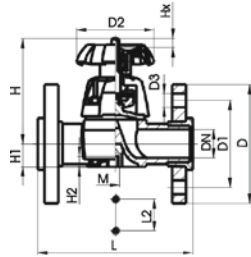
- Handwheel with built-in locking mechanism (standard version is nonlockable)

* DN80 and DN150 fixed flanges metric and Inch ANSI B16.5

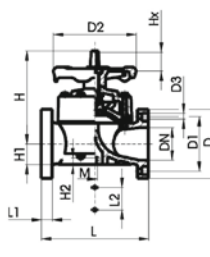
	d (mm)	Size (inch)	DN (mm)	PN (bar)	kv-value ($\Delta p=1$ bar) (l/min)	PTFE with EPDM supp. diaphragm Code	Weight (kg)
	75	2 ½	65	10	992	175 317 538	5.718
*	90	3	80	10	1700	175 317 009	10.760
	110	4	100	6	2700	175 317 340	15.406
*	160	6	150	6	6033	175 317 012	31.500

	d	Size	DN	PN	D	D1	D2	D3	H	H1	H2	L	L1	L2	L3
	(mm)	(inch)	(mm)	(bar)	(mm)	(mm)	(mm)	(mm)	(mm)	(mm)	(mm)	(mm)	(mm)	(mm)	(mm)
	75	2 ½	65	10	185	140	152	18	201	46	15	290			70
*	90	3	80	10	200	160	270	18	265	57	23	310	35	120	
	110	4	100	6	225	191	270	19	304	69	23	350	35	120	
*	160	6	150	6	285	240	400	22	437	108	23	480	26	100	200

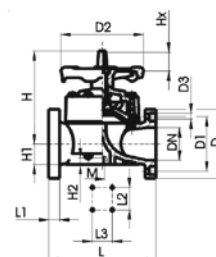
	d	Size	DN	PN	M	Lift = Hx	AL
	(mm)	(inch)	(mm)	(bar)		(mm)	
	75	2 ½	65	10	M8	30	4
*	90	3	80	10	M12	40	8
	110	4	100	6	M12	50	8
*	160	6	150	6	M12	70	8



DN 15-65



DN 80-100



DN 150



SYGEF Diaphragm valve type 317
With flanges PVDF JIS

Model:

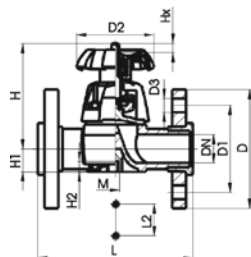
- Flat sealing faces
- Overall length according to EN 558

Option:

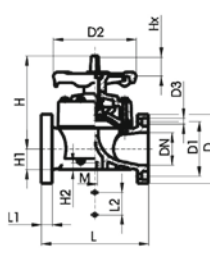
- Handwheel lockable DN15-65 (basic version not lockable)

d	DN	Size	PN	kv-value	PTFE with	Weight
(mm)	(mm)	(inch)	(bar)	($\Delta p=1$ bar)	EPDM supp.	(kg)
				(l/min)	diaphragm	
					Code	
75	65	2 ½	10	992	175 317 923	5.700
90	80	3	10	1700	175 317 839	10.900
110	100	4	6	2700	175 317 840	15.400
160	150	6	6	6033	175 317 842	31.000

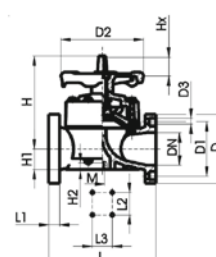
D	D1	D2	D3	H	H1	H2	L	L1	L2	L3	M	Lift = Hx	AL
(mm)	(mm)	(mm)	(mm)	(mm)	(mm)	(mm)	(mm)	(mm)	(mm)	(mm)		(mm)	
175	140	152	18	201	46	15	250			70	M8	30	4
185	150	270	18	265	57	23	280	35	120		M12	40	8
210	175	270	18	304	69	23	340	35	120		M12	50	8
230	240	400	22	437	108	23	480	26	100	200	M12	70	8



DN 15-65



DN 80-100



DN 150

Butterfly valves



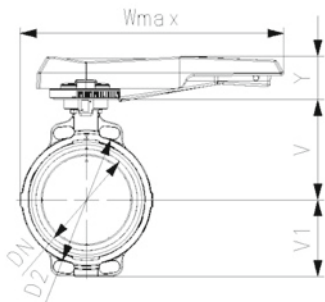
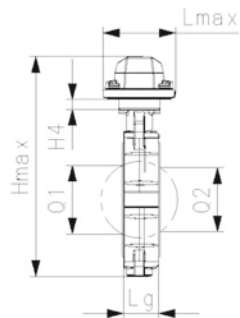
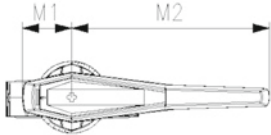
SYGEF Standard Wafer-style intermediate installation butterfly valve type 567 With hand lever Flange standard metric/ANSI/BS/JIS

Model:

- Material: PVDF
- Overall length according to EN 558, ISO 5752
- Connecting dimension: ISO 7005 PN 10, EN 1092 PN 10, DIN 2501 PN 10, ANSI/ASME B 16.5 Class 150, BS 1560: 1989, BS 4504, JIS B 2220
- We recommend for the dimensions DN250 and DN300 only 6 bar maximum system pressure for the hand lever version

Note:

For some material combination (e.g. DN300 valves with PE/PP pipes) special flange adapters are needed. Please check the "Perfect flange connection tool" on www.gfps.com



d (mm)	Size (inch)	DN (mm)	PN (bar)	kv-value ($\Delta p=1$ bar) (l/min)	FKM Code	PTFE Code	Weight (kg)
63	2	50	10	740	175 567 002	175 567 202	1.080
75	2 ½	65	10	1500	175 567 003	175 567 203	1.192
90	3	80	10	2400	175 567 004	175 567 204	1.992
110	4	100	10	3800	175 567 005	175 567 205	2.072
140	5	125	10	8600	175 567 006	175 567 206	2.667
160	6	150	10	11400	175 567 007	175 567 207	3.887
225	8	200	10	19900	175 567 008	175 567 208	7.242
280	10	250	6	34000	175 567 009	175 567 209	14.623
315	12	300	6	50000	175 567 010	175 567 210	19.513

d (mm)	Hmax (mm)	Lmax (mm)	Wmax (mm)	U (mm)	V (mm)	H4 (mm)	V1 (mm)	Lg (mm)	D2 (mm)	Q1 (mm)	Q2 (mm)	Y (mm)	M1 (mm)	M2 (mm)
63	278.9	115.2	269.0	90	133.3	23	78.8	45	104	40		66.8	64.7	205.5
75	291.8	115.2	271.8	90	139.9	23	85.1	46	115	54	35	66.8	64.7	205.5
90	303.6	115.2	273.9	90	145.6	23	91.2	49	131	67	50	66.8	64.7	205.5
110	342.2	115.2	336.0	90	166.4	32	105.7	56	161	88	74	70.1	64.9	255.5
140	368.9	115.2	349.0	90	180.0	23	118.8	64	187	113	97	70.1	64.9	255.5
160	390.0	115.2	363.0	90	189.0	23	130.9	72	215	139	123	70.1	64.9	255.5
225	455.1	149.4	543.0	90	210.5	23	158.3	73	267	178	169	86.3	103.6	409.5
280	555.0	149.4	574.0	125	262.6	23	206.1	113	329	210	207	86.3	103.6	409.5
315	599.4	149.4	599.7	125	284.3	23	228.8	113	379	256	253	86.3	103.6	409.5



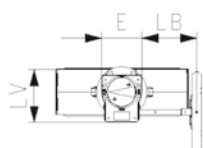
SYGEF Standard Wafer-style intermediate installation butterfly valve type 567
With gear box
Flange standard metric/ANSI/BS/JIS

Model:

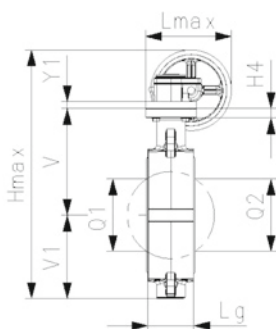
- Material: PVDF
- Overall length according to EN 558, ISO 5752
- Connecting dimension: ISO 7005 PN 10, EN 1092 PN 10, DIN 2501 PN 10, ANSI/ASME B 16.5 Class 150, BS 1560: 1989, BS 4504, JIS B 2220

Note:

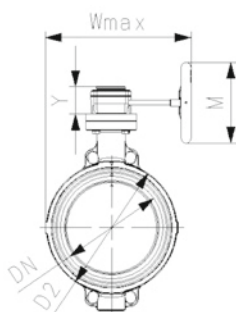
For some material combination (e.g. DN300 valves with PE/PP pipes) special flange adapters are needed. Please check the "Perfect flange connection tool" on www.gfps.com



d	Size	DN	PN	kv-value	FKM	Weight	PTFE	Weight
(mm)	(inch)	(mm)	(bar)	($\Delta p=1$ bar)	Code	(kg)	Code	(kg)
63	2	50	10	740	175 567 022	3.118	175 567 222	3.118
75	2 ½	65	10	1500	175 567 023	3.230	175 567 223	3.230
90	3	80	10	2400	175 567 024	3.410	175 567 224	3.534
110	4	100	10	3800	175 567 025	4.062	175 567 225	4.062
140	5	125	10	8600	175 567 026	4.657	175 567 226	4.657
160	6	150	10	11400	175 567 027	5.974	175 567 227	5.877
225	8	200	10	19900	175 567 028	7.797	175 567 228	7.810
280	10	250	10	34000	175 567 029	15.441	175 567 229	15.410
315	12	300	10	50000	175 567 030	20.763	175 567 230	36.000



d	Hmax	Lmax	Wmax	U	V	H4	V1	Lg	D2	Q1	Q2	Y	Y1	E
(mm)	(mm)	(mm)	(mm)	(mm)	(mm)	(mm)	(mm)	(mm)	(mm)	(mm)	(mm)	(mm)	(mm)	(mm)
63	319.4	169.1	240.2	90	133.3	23	78.8	45	104	40		61.2		80
75	332.3	169.1	247.3	90	139.9	23	85.1	46	115	54	35	61.2		80
90	344.1	169.1	249.4	90	145.6	23	91.2	49	131	67	50	61.2		80
110	379.4	169.1	261.5	90	166.4	23	105.7	56	161	88	74	61.2		80
140	406.1	169.1	274.5	90	180.0	23	118.8	64	187	113	97	61.2		80
160	427.2	169.1	288.5	90	189.0	23	130.9	72	215	139	123	61.2		80
225	476.1	169.1	267.0	90	210.5	23	158.3	73	267	178	169	61.2		80
280	613.0	212.6	329.0	125	262.6	23	206.1	113	329	210	207	68.4	17.0	100
315	657.4	212.6	380.4	125	284.3	23	228.8	113	379	256	253	68.4	17.0	100



d	M	LV	LB
(mm)	(mm)	(mm)	(mm)
63	160	112.3	129.5
75	160	112.3	129.5
90	160	112.3	129.5
110	160	112.3	129.5
140	160	112.3	129.5
160	160	112.3	129.5
225	160	112.3	129.5
280	200	130.0	134.0
315	200	130.0	134.0



SYGEF Standard Wafer-style intermediate installation butterfly valve type 567

Bare shaft

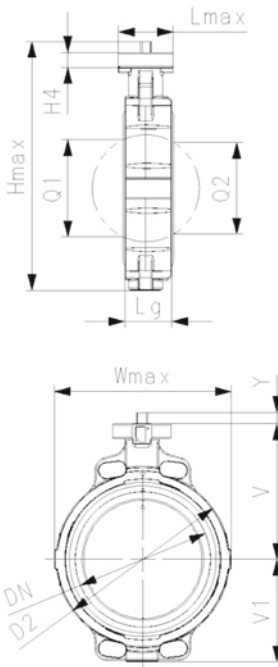
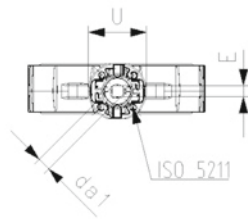
Flange standard metric/ANSI/BS/JIS

Model:

- Material: PVDF
- Overall length according to EN 558, ISO 5752
- Connecting dimension: ISO 7005 PN 10, EN 1092 PN 10, DIN 2501 PN 10, ANSI/ASME B 16.5 Class 150, BS 1560: 1989, BS 4504, JIS B 2220
- Interface F07 for the dimensions DN50-200 according to DIN/ISO 5211
- Interface F10 for the dimensions DN250-300 according to DIN/ISO 5211

Note:

For some material combination (e.g. DN300 valves with PE/PP pipes) special flange adapters are needed. Please check the "Perfect flange connection tool" on www.gfps.com



d (mm)	Size (inch)	DN (mm)	PN (bar)	kv-value ($\Delta p=1$ bar) (l/min)	FKM Code	Weight (kg)	PTFE Code	Weight (kg)
63	2	50	10	740	175 567 822	0.858	175 567 842	0.858
75	2 ½	65	10	1500	175 567 823	0.970	175 567 843	0.970
90	3	80	10	2400	175 567 824	1.162	175 567 844	1.150
110	4	100	10	3800	175 567 825	1.802	175 567 845	1.802
140	5	125	10	8600	175 567 826	2.397	175 567 846	2.397
160	6	150	10	11400	175 567 827	3.617	175 567 847	3.617
225	8	200	10	19900	175 567 828	5.738	175 567 848	5.738
280	10	250	10	34000	175 567 829	12.673	175 567 849	12.673
315	12	300	10	50000	175 567 830	17.563	175 567 850	17.563

d (mm)	Hmax (mm)	Lmax (mm)	Wmax (mm)	U (mm)	V (mm)	H4 (mm)	V1 (mm)	Lg (mm)	D2 (mm)	Q1 (mm)	Q2 (mm)	Y (mm)	E (mm)	da1 (mm)
63	238.3	84.8	118.4	90	133.3	23	78.8	45	104	40		26.2	11	13.5
75	251.2	84.8	132.5	90	139.9	23	85.1	46	115	54	35	26.2	11	13.5
90	263.0	84.8	136.8	90	145.6	23	91.2	49	131	67	50	26.2	11	13.5
110	287.5	84.8	161.0	90	166.4	23	105.7	56	161	88	74	15.4	14	17.3
140	314.2	84.8	187.0	90	180.0	23	118.8	64	187	113	97	15.4	14	17.3
160	338.3	84.8	215.0	90	189.0	23	130.9	72	215	139	123	18.4	17	21.1
225	387.2	84.8	267.0	90	210.5	23	158.3	73	267	178	169	18.4	17	21.1
280	508.9	125.0	329.0	125	262.6	23	206.1	113	329	210	207	40.2	22	27.0
315	553.3	125.0	380.4	125	268.4	23	228.8	113	379	256	253	40.2	22	27.0



SYGEF Standard Lug-style end installation butterfly valve type 578
With hand lever
Flange standard metric

Model:

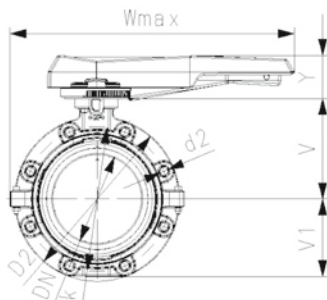
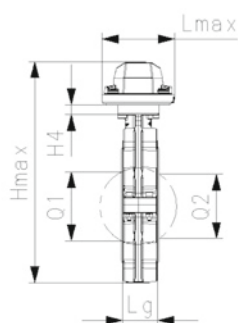
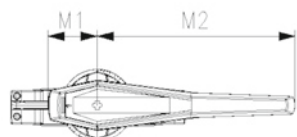
- Housing material: PP-GF30 with SS316 lug-inserts
- Overall length according to EN 558, ISO 5752 (DN50 - 200 line 25, DN250 - 300 line 10)
- Connecting dimension: ISO 7005 PN10, EN 1092 PN10, DIN 2501 PN10
- We recommend for the dimensions DN250 and DN300 only 6 bar maximum system pressure for the hand lever version

Option:

- Optional accessory: Valve-Integrated position feedback with limit switches (limit switches have to be ordered separately)

Note:

For some material combination (e.g. DN300 valves with PE/PP pipes) special flange adapters are needed. Please check the "Perfect flange connection tool" on www.gfps.com



d (mm)	Size (inch)	DN (mm)	PN (bar)	kv-value (Δp=1 bar) (l/min)	FKM Code	Weight (kg)	PTFE Code
63	2	50	10	740	175 578 002	1.800	175 578 202
75	2 ½	65	10	1500	175 578 003	1.895	175 578 203
90	3	80	10	2400	175 578 004	2.251	175 578 204
110	4	100	10	3800	175 578 005	3.146	175 578 205
140	5	125	10	8600	175 578 006	4.660	175 578 206
160	6	150	10	11400	175 578 007	6.430	175 578 207
225	8	200	10	19900	175 578 008	8.625	175 578 208
280	10	250	6	34000	175 578 009	19.528	175 578 209
315	12	300	6	50000	175 578 010	26.106	175 578 210

d (mm)	Hmax (mm)	Lmax (mm)	Wmax (mm)	U (mm)	V (mm)	H4 (mm)	V1 (mm)	Lg (mm)	D2 (mm)	Q1 (mm)	Q2 (mm)	d2 (mm)	k (mm)	Y (mm)
63	278.9	115.2	287.8	90	133.3	23	78.8	44.7	160	40		M16	125	66.8
75	291.8	115.2	296.3	90	139.9	23	85.1	45.7	180	54	35	M16	145	66.8
90	303.6	115.2	310.3	90	145.6	23	91.2	48.7	195	67	50	M16	160	66.8
110	343.6	115.2	375.2	90	166.0	23	107.5	55.6	226	88	74	M16	180	70.1
140	372.8	115.2	391.2	90	180.0	23	122.7	63.5	258	113	97	M16	210	70.1
160	393.6	115.2	395.2	90	189.0	23	134.5	71.5	284	139	123	M20	240	70.1
225	458.1	149.4	588.4	90	210.5	23	161.5	72.5	341	178	169	M20	295	86.1
280	557.6	149.4	628.1	125	264.4	23	206.9	113.2	412	210	207	M20	350	86.3
315	607.0	149.4	663.1	125	285.2	23	235.5	114.6	482	256	253	M20	400	86.3

d (mm)	M1 (mm)	M2 (mm)
63	63.7	205.3
75	63.7	205.3
90	63.7	205.3
110	63.7	255.2
140	63.7	255.2
160	63.7	255.2
225	101.7	408.4
280	101.7	408.1
315	101.7	408.1



SYGEF Standard Lug-style end installation butterfly valve type 578
With gear box
Flange standard metric

Model:

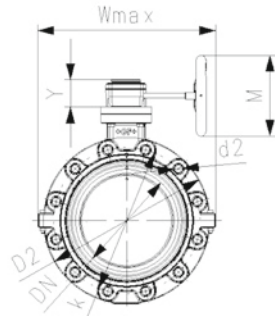
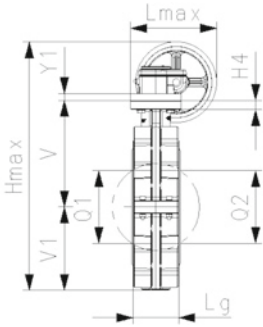
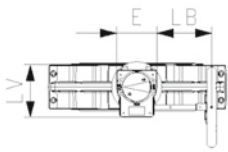
- Housing material: PP-GF30 with SS316 lug-inserts
- Overall length according to EN 558, ISO 5752 (DN50 - 200 line 25, DN250 - 300 line 10)
- Connecting dimension: ISO 7005 PN10, EN 1092 PN10, DIN 2501 PN10

Option:

- Optional accessory: Valve-Integrated position feedback with limit switches (limit switches have to be ordered separately)

Note:

For some material combination (e.g. DN300 valves with PE/PP pipes) special flange adapters are needed. Please check the "Perfect flange connection tool" on www.gfps.com



d (mm)	Size (inch)	DN (mm)	PN (bar)	kv-value (Δp=1 bar) (l/min)	FKM Code	Weight (kg)
63	2	50	10	740	175 578 022	3.562
75	2 ½	65	10	1500	175 578 023	3.721
90	3	80	10	2400	175 578 024	3.929
110	4	100	10	3800	175 578 025	4.834
140	5	125	10	8600	175 578 026	6.348
160	6	150	10	11400	175 578 027	8.109
225	8	200	10	19900	175 578 028	9.353
280	10	250	10	34000	175 578 029	21.210
315	12	300	10	50000	175 578 030	27.746

d (mm)	Hmax (mm)	Lmax (mm)	Wmax (mm)	U (mm)	V (mm)	H4 (mm)	V1 (mm)	Lg (mm)	D2 (mm)	Q1 (mm)	Q2 (mm)	d2 (mm)	k (mm)	Y (mm)
63	319.4	169.1	263.5	90	133.3	23	78.8	44.7	160	40		M16	125	61.2
75	332.3	169.1	272.0	90	139.9	23	85.1	45.7	180	54	35	M16	145	61.2
90	344.1	169.1	286.0	90	145.6	23	91.2	48.7	195	67	50	M16	160	61.2
110	380.8	169.1	301.0	90	166.0	23	107.5	55.6	226	88	74	M16	180	61.2
140	410.0	169.1	317.0	90	180.0	23	122.7	63.5	258	113	97	M16	210	61.2
160	430.8	169.1	321.0	90	189.0	23	134.5	71.5	284	139	123	M20	240	61.2
225	479.3	169.1	360.0	90	210.5	23	161.5	72.5	341	178	169	M20	295	61.2
280	615.6	212.6	440.0	125	264.4	23	206.9	113.2	412	210	207	M20	350	68.4
315	665.0	212.6	510.0	125	285.2	23	235.5	114.6	482	256	253	M20	400	68.4

d (mm)	E (mm)	Y1 (mm)	M (mm)	LV (mm)	LB (mm)
63	80		160	112.3	129.5
75	80		160	112.3	129.5
90	80		160	112.3	129.5
110	80		160	112.3	129.5
140	80		160	112.3	129.5
160	80		160	112.3	129.5
225	80		160	112.3	129.5
280	100	17	200	130.0	134.0
315	100	17	200	130.0	134.0



SYGEF Standard Lug-style end installation butterfly valve type 578

Bare shaft

Flange standard metric

Model:

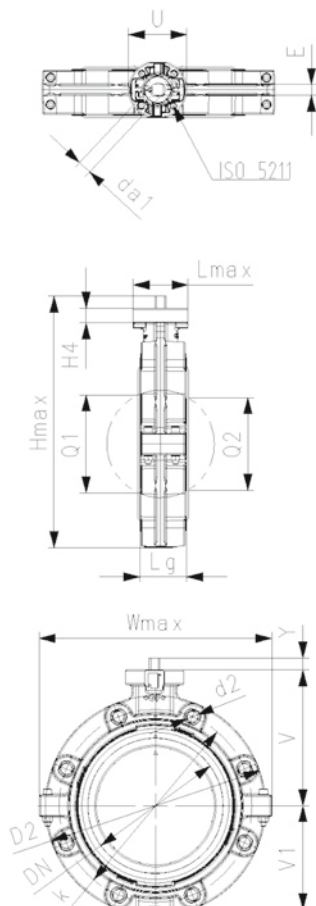
- Housing material: PP-GF30 with SS316 lug-inserts
- Overall length according to EN 558, ISO 5752 (DN50 - 200 line 25, DN250 - 300 line 10)
- Connecting dimension: ISO 7005 PN10, EN 1092 PN10, DIN 2501 PN10
- Interface F07 according to DIN/ISO 5211
- Interface F10 for the dimensions DN250-300 according to DIN/ISO 5211

Option:

- Optional accessory: Valve-Integrated position feedback with limit switches (limit switches have to be ordered separately)

Note:

For some material combination (e.g. DN300 valves with PE/PP pipes) special flange adapters are needed. Please check the "Perfect flange connection tool" on www.gfps.com



d (mm)	Size (inch)	DN (mm)	PN (bar)	kv-value ($\Delta p=1$ bar) (l/min)	FKM Code	Weight (kg)
63	2	50	10	740	175 578 822	1.299
75	2 ½	65	10	1500	175 578 823	1.456
90	3	80	10	2400	175 578 824	1.701
110	4	100	10	3800	175 578 825	2.606
140	5	125	10	8600	175 578 826	4.120
160	6	150	10	11400	175 578 827	5.881
225	8	200	10	19900	175 578 828	7.125
280	10	250	10	34000	175 578 829	17.880
315	12	300	10	50000	175 578 830	24.416

d (mm)	Hmax (mm)	Lmax (mm)	Wmax (mm)	U (mm)	V (mm)	H4 (mm)	V1 (mm)	Lg (mm)	D2 (mm)	Q1 (mm)	Q2 (mm)	d2 (mm)	k (mm)	Y (mm)
63	238.3	84.8	165	90	133.3	23	78.8	44.7	160	40		M16	125	26.2
75	251.2	84.8	182	90	139.9	23	85.1	45.7	180	54	35	M16	125	26.2
90	263.0	84.8	210	90	145.6	23	91.2	48.7	195	67	50	M16	125	26.2
110	288.9	84.8	240	90	166.0	23	107.5	55.6	226	88	74	M16	125	15.4
140	318.1	84.8	272	90	180.0	23	122.7	63.5	258	113	97	M16	125	15.4
160	341.9	84.8	80	90	189.0	23	134.5	71.5	284	139	123	M20	125	18.4
225	390.4	84.8	360	90	210.5	23	161.5	72.5	341	178	169	M20	125	18.4
280	511.5	125.0	440	125	264.4	23	206.9	113.2	412	210	207	M20	125	40.2
315	560.9	125.0	510	125	285.2	23	235.5	114.6	482	256	253	M20	125	40.2

d (mm)	E (mm)	da1 (mm)
63	11	13.5
75	11	13.5
90	11	13.5
110	14	17.3
140	14	17.3
160	17	21.1
225	17	21.1
280	22	27.0
315	22	27.0



SYGEF Standard Lug-style end installation butterfly valve type 578
With hand lever
Flange standard ANSI/ASME

Model:

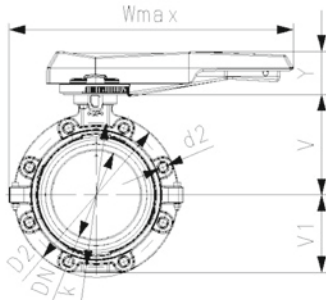
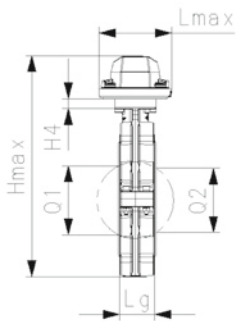
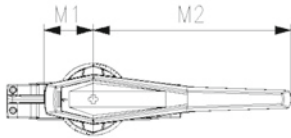
- Housing material: PP-GF30 with SS316 lug-inserts
- Overall length according to EN 558, ISO 5752 (DN50 - 200 line 25, DN250 - 300 line 10)
- Connecting dimension ANSI/ASME B 16.5 Class 150
- We recommend for the dimensions DN250 and DN300 only 6 bar maximum system pressure for the hand lever version

Option:

- Optional accessory: Valve-Integrated position feedback with limit switches (limit switches have to be ordered separately)

Note:

For some material combination (e.g. DN300 valves with PE/PP pipes) special flange adapters are needed. Please check the "Perfect flange connection tool" on www.gfps.com



d (mm)	Size (inch)	DN (mm)	PN (bar)	kv-value ($\Delta p=1$ bar) (l/min)	FKM Code	Weight (kg)
63	2	50	10	740	175 578 102	1.800
75	2 ½	65	10	1500	175 578 103	1.895
90	3	80	10	2400	175 578 104	2.251
110	4	100	10	3800	175 578 105	3.146
140	5	125	10	8600	175 578 106	4.660
160	6	150	10	11400	175 578 107	6.430
225	8	200	10	19900	175 578 108	8.625
280	10	250	6	34000	175 578 109	19.528
315	12	300	6	50000	175 578 110	26.106

d (mm)	Hmax (mm)	Lmax (mm)	Wmax (mm)	U (mm)	V (mm)	H4 (mm)	V1 (mm)	Lg (mm)	D2 (mm)	Q1 (mm)	Q2 (mm)	d2 (mm)	k (mm)
63	278.9	115.2	287.8	90	133.3	23	78.8	44.7	160	40		UNC 5/8	120.7
75	291.8	115.2	296.3	90	139.9	23	85.1	45.7	180	54	35	UNC 5/8	139.7
90	303.6	115.2	310.3	90	145.6	23	91.2	48.7	195	67	50	UNC 5/8	152.4
110	343.6	115.2	375.2	90	166.0	23	107.5	55.6	226	88	74	UNC 5/8	190.5
140	372.8	115.2	391.2	90	180.0	23	122.7	63.5	258	113	97	UNC 3/4	215.9
160	393.6	115.2	395.2	90	189.0	23	134.5	71.5	284	139	123	UNC 3/4	241.3
225	458.1	149.4	588.1	90	210.5	23	161.5	72.5	341	178	169	UNC 3/4	298.5
280	557.6	149.4	628.1	125	264.4	23	206.9	113.2	412	210	207	UNC 7/8	362.0
315	607.0	149.4	663.1	125	285.2	23	235.5	114.6	482	256	253	UNC 7/8	431.8

d (mm)	Y (mm)	M1 (mm)	M2 (mm)
63	66.8	63.7	205.3
75	66.8	63.7	205.3
90	66.8	63.7	205.3
110	70.1	63.7	255.2
140	70.1	63.7	255.2
160	70.1	63.7	255.2
225	86.1	101.7	408.1
280	86.3	101.7	408.1
315	86.3	101.7	408.1



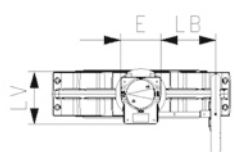
SYGEF Standard Lug-style end installation butterfly valve type 578
With gear box
Flange standard ANSI/ASME

Model:

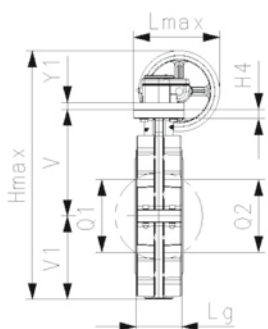
- Housing material: PP-GF30 with SS316 lug-inserts
- Overall length according to EN 558, ISO 5752 (DN50 - 200 line 25, DN250 - 300 line 10)
- Connecting dimension ANSI/ASME B 16.5 Class 150

Note:

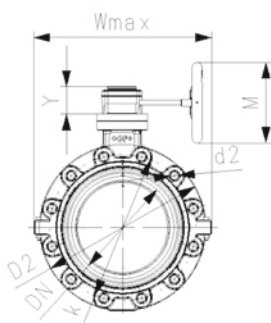
For some material combination (e.g. DN300 valves with PE/PP pipes) special flange adapters are needed. Please check the "Perfect flange connection tool" on www.gfps.com



d (mm)	Size (inch)	DN (mm)	PN (bar)	kv-value ($\Delta p=1$ bar) (l/min)	FKM Code	Weight (kg)	PTFE Code
63	2	50	10	740	175 578 122	3.562	175 578 222
75	2 ½	65	10	1500	175 578 123	3.721	175 578 223
90	3	80	10	2400	175 578 124	3.929	175 578 224
110	4	100	10	3800	175 578 125	4.834	175 578 225
140	5	125	10	8600	175 578 126	6.348	175 578 226
160	6	150	10	11400	175 578 127	8.109	175 578 227
225	8	200	10	19900	175 578 128	9.353	175 578 228
280	10	250	10	34000	175 578 129	21.210	175 578 229
315	12	300	10	50000	175 578 130	27.746	175 578 230



d (mm)	Hmax (mm)	Lmax (mm)	Wmax (mm)	U (mm)	V (mm)	H4 (mm)	V1 (mm)	Lg (mm)	D2 (mm)	Q1 (mm)	Q2 (mm)	d2 (mm)	k (mm)
63	319.4	169.1	263.5	90	133.3	23	78.8	44.7	160	40		UNC 5/8	120.7
75	332.3	169.1	272.0	90	139.9	23	85.1	45.7	180	54	35	UNC 5/8	139.7
90	344.1	169.1	286.0	90	145.6	23	91.2	48.7	195	67	50	UNC 5/8	152.4
110	380.8	169.1	301.0	90	166.0	23	107.5	55.6	226	88	74	UNC 5/8	190.5
140	410.0	169.1	317.0	90	180.0	23	122.7	63.5	258	113	97	UNC 3/4	215.9
160	430.9	169.1	321.0	90	189.0	23	134.5	71.5	284	139	123	UNC 3/4	241.3
225	479.3	169.1	360.0	90	210.5	23	161.5	72.5	341	178	169	UNC 3/4	298.5
280	615.6	212.6	440.0	125	264.4	23	206.9	113.2	412	210	207	UNC 7/8	362.0
315	665.0	212.6	510.0	125	285.2	23	235.5	114.6	482	256	253	UNC 7/8	431.8



d (mm)	Y (mm)	E (mm)	Y1 (mm)	M (mm)	LV (mm)	LB (mm)
63	61.2	80		160	112.3	129.5
75	61.2	80		160	112.3	129.5
90	61.2	80		160	112.3	129.5
110	61.2	80		160	112.3	129.5
140	61.2	80		160	112.3	129.5
160	61.2	80		160	112.3	129.5
225	61.2	80		160	112.3	129.5
280	68.4	100	17	200	130.0	134.0
315	68.4	100	17	200	130.0	134.0



SYGEF Standard Lug-style end installation butterfly valve type 578

Bare shaft

Flange standard ANSI/ASME

Model:

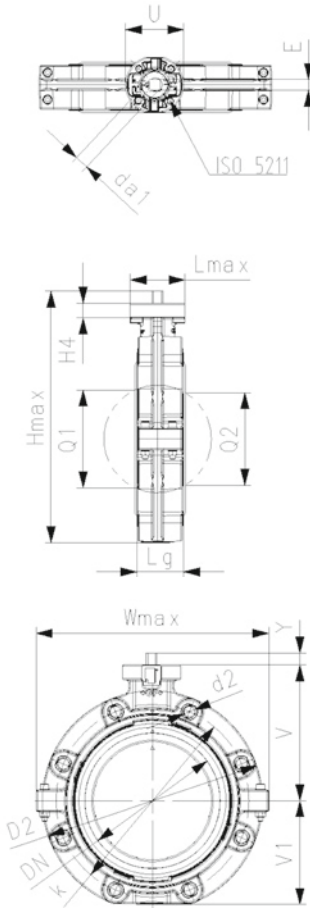
- Housing material: PP-GF30 with SS316 lug-inserts
- Overall length according to EN 558, ISO 5752 (DN50 - 200 line 25, DN250 - 300 line 10)
- Connecting dimension ANSI/ASME B 16.5 Class 150
- Interface F10 for the dimensions DN250-300 according to DIN/ISO 5211
- Interface F07 according to DIN/ISO 5211

Option:

- Optional accessory: Valve-Integrated position feedback with limit switches (limit switches have to be ordered separately)

Note:

For some material combination (e.g. DN300 valves with PE/PP pipes) special flange adapters are needed. Please check the "Perfect flange connection tool" on www.gfps.com



d (mm)	Size (inch)	DN (mm)	PN (bar)	kv-value ($\Delta p=1$ bar) (l/min)	FKM Code	Weight (kg)
63	2	50	10	740	175 578 922	1.299
75	2 ½	65	10	1500	175 578 923	1.456
90	3	80	10	2400	175 578 924	1.701
110	4	100	10	3800	175 578 925	2.606
140	5	125	10	8600	175 578 926	4.120
160	6	150	10	11400	175 578 927	5.881
225	8	200	10	19900	175 578 928	7.125
280	10	250	10	34000	175 578 929	17.880
315	12	300	10	50000	175 578 930	24.416

d (mm)	Hmax (mm)	Lmax (mm)	Wmax (mm)	U (mm)	V (mm)	H4 (mm)	V1 (mm)	Lg (mm)	D2 (mm)	Q1 (mm)	Q2 (mm)	d2 (mm)	Y (mm)
63	238.3	84.8	165.0	90	133.3	23	78.8	44.7	160	40		UNC 5/8	26.2
75	251.2	84.8	182.0	90	139.9	23	85.1	45.7	180	54	35	UNC 5/8	26.2
90	263.0	84.8	210.0	90	145.6	23	91.2	48.7	195	67	50	UNC 5/8	26.2
110	288.9	84.8	240.0	90	166.0	23	107.5	55.6	226	88	74	UNC 5/8	15.4
140	318.1	84.8	272.0	90	180.0	23	122.7	63.5	258	113	97	UNC 3/4	15.4
160	341.9	84.8	280.0	90	189.0	23	134.5	71.5	284	139	123	UNC 3/4	18.4
225	390.4	84.8	360.0	90	210.5	23	161.5	72.5	341	178	169	UNC 3/4	18.4
280	511.5	125.0	440.0	125	264.4	23	206.9	113.2	412	210	207	UNC 7/8	40.2
315	560.9	125.0	510.0	125	285.2	23	235.5	114.6	482	256	253	UNC 7/8	40.2

d (mm)	E (mm)	da1 (mm)
63	11	13.5
75	11	13.5
90	11	13.5
110	14	17.3
140	14	17.3
160	17	21.1
225	17	21.1
280	22	27.0
315	22	27.0



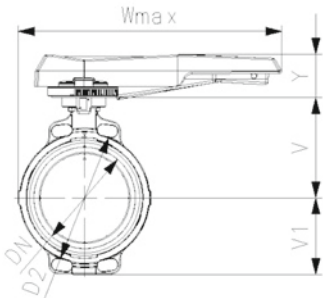
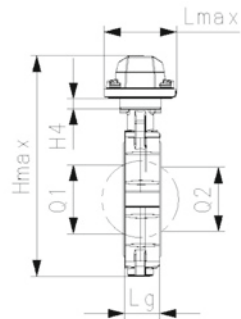
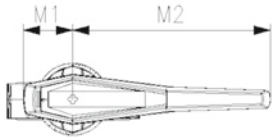
**SYGEF Standard Wafer-style intermediate installation butterfly valve type 567 oil free
With hand lever
Flange standard metric/ANSI/BS/JIS**

Model:

- Material: PVDF
- Overall length according to EN 558, ISO 5752
- Connecting dimension: ISO 7005 PN 10, EN 1092 PN 10, DIN 2501 PN 10, ANSI/ASME B 16.5 Class 150, BS 1560: 1989, BS 4504, JIS B 2220
- We recommend for the dimensions DN250 and DN300 only 6 bar maximum system pressure for the hand lever version

Note:

For some material combination (e.g. DN300 valves with PE/PP pipes) special flange adapters are needed. Please check the "Perfect flange connection tool" on www.gfps.com



d (mm)	Size (inch)	DN (mm)	PN (bar)	kv-value ($\Delta p=1$ bar) (l/min)	PTFE Code	Weight (kg)
63	2	50	10	740	175 567 602	1.080
75	2 ½	65	10	1500	175 567 603	1.192
90	3	80	10	2400	175 567 604	1.625
110	4	100	10	3800	175 567 605	2.386
140	5	125	10	8600	175 567 606	3.037
160	6	150	10	11400	175 567 607	4.140
225	8	200	10	19900	175 567 608	7.176
280	10	250	10	34000	175 567 609	14.623
315	12	300	10	50000	175 567 610	19.513

d (mm)	Hmax (mm)	Lmax (mm)	Wmax (mm)	H4 (mm)	V1 (mm)	Lg (mm)	d2 (mm)	Q1 (mm)	Q2 (mm)	Y (mm)	M1 (mm)	M2 (mm)
63	278.9	115.2	269.0	23	78.8	45	104	40		66.8	64.7	205.5
75	291.8	115.2	271.8	23	85.1	46	115	54	35	66.8	64.7	205.5
90	303.6	115.2	273.9	23	91.2	49	131	67	50	66.8	64.7	205.5
110	342.2	115.2	336.0	32	105.7	56	161	88	74	70.1	64.9	255.5
140	368.9	115.2	349.0	23	118.8	64	187	113	97	70.1	64.9	255.5
160	390.0	115.2	363.0	23	130.9	72	215	139	123	70.1	64.9	255.5
225	455.1	149.4	543.0	23	158.3	73	267	178	169	86.3	103.6	409.5
280	555.0	149.4	574.0	23	206.1	113	329	210	207	86.3	103.6	409.5
315	599.4	149.4	599.7	23	228.8	113	379	256	253	86.3	103.6	409.5



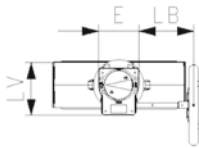
SYGEF Plus butterfly valve type 567
Reduction gear with handwheel

Model:

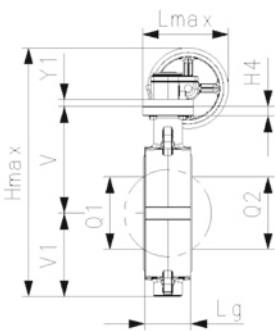
- Material: PVDF-HP
- Overall length according to EN 558, ISO 5752
- Connecting dimension: ISO 7005 PN 10, EN 1092 PN 10, DIN 2501 PN 10, ANSI/ASME B 16.5 Class 150, BS 1560: 1989, BS 4504, JIS B 2220

Note:

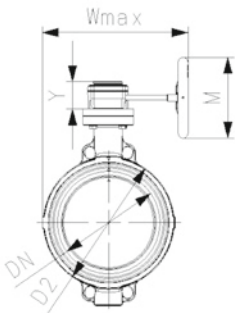
For some material combination (e.g. DN300 valves with PE/PP pipes) special flange adapters are needed. Please check the "Perfect flange connection tool" on www.gfps.com



d (mm)	Size (inch)	DN (mm)	PN (bar)	kv-value ($\Delta p=1$ bar) (l/min)	PTFE Code	SP	Weight (kg)
63	2	50	10	1470	175 567 622	1	3.118
75	2 ½	65	10	2200	175 567 623	1	3.230
90	3	80	10	3000	175 567 624	1	3.410
110	4	100	10	6500	175 567 625	1	4.062
140	5	125	10	11500	175 567 626	1	4.657
160	6	150	10	16600	175 567 627	1	5.877
225	8	200	10	39600	175 567 628	1	7.998
280	10	250	10	55200	175 567 629	1	12.884
315	12	300	10	80000	175 567 630	1	20.763



d (mm)	Hmax (mm)	Lmax (mm)	Wmax (mm)	H4 (mm)	V1 (mm)	Lg (mm)	D2 (mm)	Q1 (mm)	Q2 (mm)	k (mm)	Y1 (mm)
63	319.4	169.1	240.2	23	78.8	45	104	40		125	
75	332.3	169.1	247.3	23	85.1	46	115	54	35	145	
90	344.1	169.1	249.4	23	91.2	49	131	67	50	160	
110	379.4	169.1	261.5	23	105.7	56	160	88	74	180	
140	406.1	169.1	274.5	23	118.8	64	187	113	97	210	
160	427.2	169.1	288.5	23	130.9	72	215	139	123	240	
225	476.1	169.1	267.0	23	158.3	73	267	178	169	295	
280	613.0	212.6	329.0	23	206.1	113	329	210	207	350	17
315	657.4	212.6	380.4	23	228.8	113	379	256	253	400	17



Pressure regulating valves



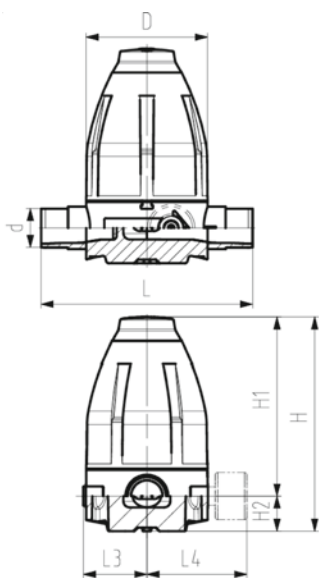
SYGEF Standard Pressure reducing valve type 582 With butt fusion spigots metric Without manometer

Model:

- Diaphragm PTFE/EPDM
- Integrated stainless steel mounting inserts
- 0.5-9.0 bar (7-130 psi)

0.3-3.0 bar (4-44 psi) on request

Manometer on request



d	DN	Size	PN	O-rings	Weight
(mm)	(mm)	(inch)	(bar)	FKM Code	(kg)
20	15	½	10	185 582 012	0.700
25	20	¾	10	185 582 013	1.550
32	25	1	10	185 582 014	1.560
40	32	1 ¼	10	185 582 015	4.370
50	40	1 ½	10	185 582 016	4.400
63	50	2	10	185 582 017	4.520

d	D	H	H1	H2	H3	L	L3	M	closest inch
(mm)	(mm)	(mm)	(mm)	(mm)	(mm)	(mm)	(mm)		(inch)
20	79	132	111	21	14	150	42	M6	½
25	100	177	148	29	14	190	53	M6	¾
32	100	177	148	29	14	190	53	M6	1
40	147	251	207	44	21	240	76	M8	1 ¼
50	147	251	207	44	21	240	76	M8	1 ½
63	147	251	207	44	21	260	76	M8	2

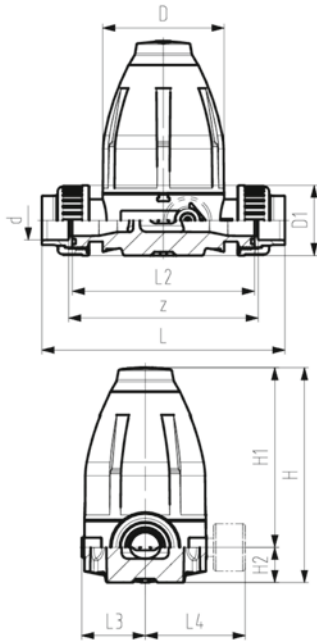


SYGEF Standard Pressure reducing valve type 582
With fusion sockets metric
Without manometer

Model:

- Diaphragm PTFE/EPDM
- Integrated stainless steel mounting inserts
- 0.5-9.0 bar (7-130 psi)

0.3-3.0 bar (4-44 psi) on request
 Manometer on request



d (mm)	DN (mm)	Size (inch)	PN (bar)	O-rings FKM Code	Weight (kg)
20	15	½	10	185 582 112	0.780
25	20	¾	10	185 582 113	1.650
32	25	1	10	185 582 114	1.700
40	32	1 ¼	10	185 582 115	4.530
50	40	1 ½	10	185 582 116	4.750
63	50	2	10	185 582 117	5.050

d (mm)	D (mm)	D1 (mm)	H (mm)	H1 (mm)	H2 (mm)	H3 (mm)	L (mm)	L2 (mm)	L3 (mm)	M	z (mm)	closest inch (inch)
20	79	43	132	111	21	12	158	120	42	M6	130	½
25	100	53	177	148	29	14	192	150	53	M6	160	¾
32	100	60	177	148	29	14	196	150	53	M6	160	1
40	147	74	251	207	44	21	255	205	76	M8	215	1 ¼
50	147	82	251	207	44	21	261	205	76	M8	215	1 ½
63	147	100	251	207	44	21	269	205	76	M8	215	2

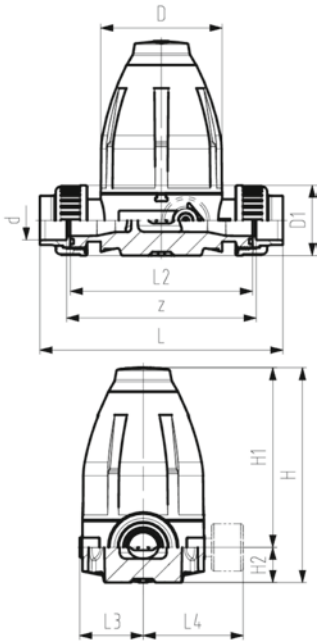
SYGEF Standard Pressure reducing valve type 582
Unions with butt fusion spigots SDR21 metric
Without manometer



Model:

- Diaphragm PTFE/EPDM
- Integrated stainless steel mounting inserts
- 0.5-9.0 bar (7-130 psi)

0.3-3.0 bar (4-44 psi) on request
 Manometer on request



d (mm)	DN (mm)	Size (inch)	PN (bar)	O-rings FKM Code	Weight (kg)
20	15	½	10	185 582 512	0.830
25	20	¾	10	185 582 513	1.710
32	25	1	10	185 582 514	1.760
40	32	1 ¼	10	185 582 515	4.750
50	40	1 ½	10	185 582 516	4.840
63	50	2	10	185 582 517	5.140

d (mm)	D (mm)	D1 (mm)	H (mm)	H1 (mm)	H2 (mm)	H3 (mm)	L (mm)	L2 (mm)	L3 (mm)	M	closest inch (inch)
20	79	43	132	111	21	12	226	120	42	M6	½
25	100	53	177	148	29	14	262	150	53	M6	¾
32	100	60	177	148	29	14	268	150	53	M6	1
40	147	74	251	207	44	21	329	205	76	M8	1 ¼
50	147	82	251	207	44	21	335	205	76	M8	1 ½
63	147	100	251	207	44	21	341	205	76	M8	2

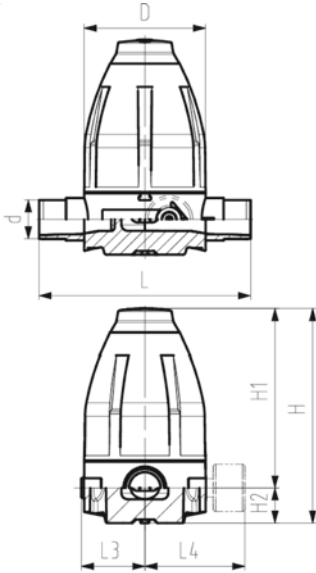


SYGEF Standard Pressure retaining valve type 586
With butt fusion spigots metric
Without manometer

Model:

- Diaphragm PTFE/EPDM
- Integrated stainless steel mounting inserts
- 0.5-9.0 bar (7-130 psi)

0.3-3.0 bar (4-44 psi) on request
 Manometer on request



d (mm)	DN (mm)	Size (inch)	PN (bar)	O-rings FKM Code	SP	Weight (kg)
20	15	½	10	185 586 012	1	0.700
25	20	¾	10	185 586 013	1	1.570
32	25	1	10	185 586 014	1	1.580
40	32	1 ¼	10	185 586 015	1	4.410
50	40	1 ½	10	185 586 016	1	4.430
63	50	2	10	185 586 017	1	4.550

d (mm)	D (mm)	H (mm)	H1 (mm)	H2 (mm)	H3 (mm)	L (mm)	L3 (mm)	M	closest inch (inch)
20	79	132	111	21	14	150	42	M6	½
25	100	177	148	29	14	190	53	M6	¾
32	100	177	148	29	14	190	53	M6	1
40	147	251	207	44	21	240	76	M8	1 ¼
50	147	251	207	44	21	240	76	M8	1 ½
63	147	251	207	44	21	260	76	M8	2

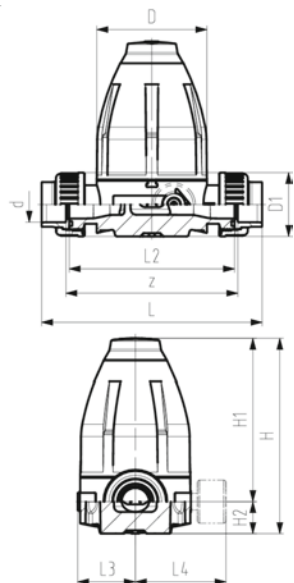


SYGEF Standard Pressure retaining valve type 586
Unions with fusion sockets metric
Without manometer

Model:

- Diaphragm PTFE/EPDM
- Integrated stainless steel mounting inserts
- 0.5-9.0 bar (7-130 psi)

0.3-3.0 bar (4-44 psi) on request
 Manometer on request



d (mm)	DN (mm)	Size (inch)	PN (bar)	O-rings FKM Code	SP	Weight (kg)
20	15	½	10	185 586 112	1	0.780
25	20	¾	10	185 586 113	1	1.670
32	25	1	10	185 586 114	1	1.720
40	32	1 ¼	10	185 586 115	1	4.700
50	40	1 ½	10	185 586 116	1	4.790
63	50	2	10	185 586 117	1	5.090

d (mm)	D (mm)	H (mm)	H1 (mm)	H2 (mm)	H3 (mm)	L (mm)	L2 (mm)	L3 (mm)	M	z (mm)	closest inch (inch)
20	79	132	111	21	12	158	120	42	M6	130	½
25	100	177	148	29	14	192	150	53	M6	160	¾
32	100	177	148	29	14	196	150	53	M6	160	1
40	147	251	207	44	21	255	205	76	M8	215	1 ¼
50	147	251	207	44	21	261	205	76	M8	215	1 ½
63	147	251	207	44	21	269	205	76	M8	215	2

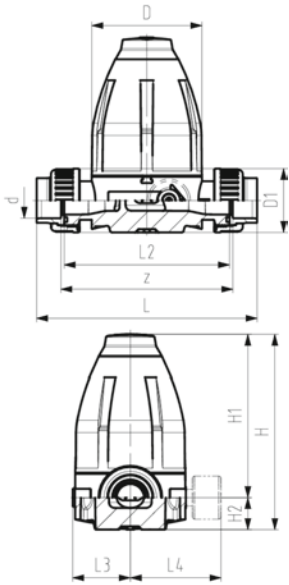
SYGEF Standard Pressure retaining valve type 586
Unions with butt fusion spigots SDR21 metric
Without manometer



Model:

- Diaphragm PTFE/EPDM
- Integrated stainless steel mounting inserts
- 0.5-9.0 bar (7-130 psi)

0.3-3.0 bar (4-44 psi) on request
 Manometer on request



d (mm)	DN (mm)	Size (inch)	PN (bar)	O-rings FKM Code	SP	Weight (kg)
20	15	½	10	185 586 512	1	0.820
25	20	¾	10	185 586 513	1	1.710
32	25	1	10	185 586 514	1	1.760
40	32	1 ¼	10	185 586 515	1	4.740
50	40	1 ½	10	185 586 516	1	4.830
63	50	2	10	185 586 517	1	5.130

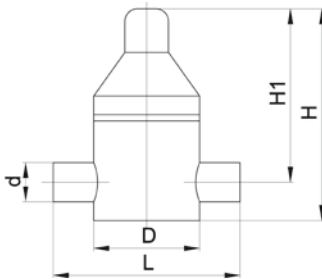
d (mm)	D (mm)	D1 (mm)	H (mm)	H1 (mm)	H2 (mm)	H3 (mm)	L (mm)	L2 (mm)	L3 (mm)	M	z (mm)	closest inch (inch)
20	79	43	132	111	21	12	226	120	42	M6	130	½
25	100	53	177	148	29	14	262	150	53	M6	160	¾
32	100	60	177	148	29	14	268	150	53	M6	160	1
40	147	74	251	207	44	21	329	205	76	M8	215	1 ¼
50	147	82	251	207	44	21	335	205	76	M8	215	1 ½
63	147	100	251	207	44	21	341	205	76	M8	215	2

SYGEF Standard Pressure retaining valve type V86
With fusion spigots IR Plus



Model:

- Material: PVDF
- * with long spigots



d (mm)	DN (mm)	Size (inch)	PN (bar)	Type	PTFE Code	SP	Weight (kg)	
75	65	2 ½	6	V86	199 041 689	1	5.600	
*	75	65	2 ½	6	V86	199 041 669	1	5.600

d (mm)	D (mm)	H (mm)	H1 (mm)	L (mm)	Pressure set- ting range (bar)	closest inch (inch)
75	180	275	230	284	1.0 - 6.0	2 ½
*	75	180	275	344	1.0 - 6.0	2 ½

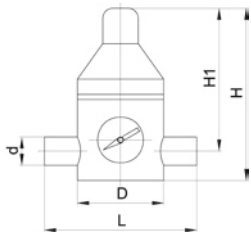


SYGEF Standard Pressure reducing valve type V82 With fusion spigots IR metric

Model:

- Material: PVDF

d (mm)	DN (mm)	Size (inch)	PN (bar)	Type	PTFE Code	Weight (kg)
75	65	2 ½	6	V82	199 041 649	13.760



d (mm)	D (mm)	H (mm)	H1 (mm)	L (mm)	Pressure set- ting range (bar)	closest inch (inch)
75	200	350	250	300	0.5 - 5.0	2 ½

Check valves



SYGEF Standard Wafer Check valve type 369 Without spring

Model:

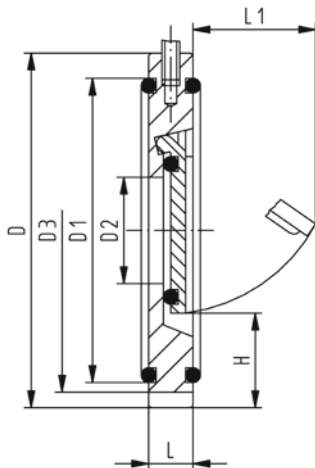
- Material: PVDF
- Supporting eyelets for simple fitting
- Suitable for vertical and horizontal mounting

Installation instruction:

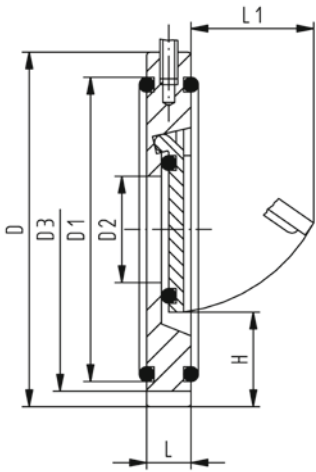
- Installation between ISO/DIN (all dimensions) and ANSI/BS flange adaptors (all except DN32 and DN125)
- Installation with ANSI/BS flange adaptor: for wafer check valves DN40 to DN80 you have to use ANSI/BS flange adaptors with the next bigger dimension (example DN40 wafer check valve between DN50 ANSI/BS flange adaptor)
- Centering by body diameter (ISO/DIN by D3, ANSI/BS by D)
- Sealing with special flange gasket (except DN32, o-ring)
- A stabilizing zone of at least 5 times nominal diameter (DN) should be provided before and after the wafer check valve (10 times DN is recommended)
- No direct installation on pump flange or following bend allowed
- Wafer check valves without reset spring are not recommended for pulsating flows (production of noise)

Note:

In order to install the wafer check valves properly, Georg Fischer recommends flange adaptors of the next larger diameter of the valve (e.g. wafer check valve d90 with two flange adaptors d110)



d (mm)	DN (mm)	Size (inch)	PN (bar)	FKM Code	SP	Weight (kg)
40	32	1 ¼	10	175 369 022	1	0.133
50	40	1 ½	10	175 369 023	1	0.184
63	50	2	10	175 369 024	1	0.272
75	65	2 ½	10	175 369 025	1	0.410
90	80	3	10	175 369 026	1	0.508
110	100	4	10	175 369 027	1	0.722
140	125	5	10	175 369 029	1	0.991
160	150	6	6	175 369 030	1	1.418
225	200	8	6	175 369 031	1	2.710
280	250	10	6	175 369 032	1	4.520
315	300	12	6	175 369 033	1	6.900



d (mm)	closest inch (inch)	D (mm)	D1 (mm)	D2 (mm)	D3 (mm)	L (mm)	L1 (mm)	H (mm)	Opening pressure vertical (mbar)	Opening pres- sure horizontal (mbar)
40	1 ¼	85	59	18		15	22	25	10	1
50	1 ½	105	77	22	95	16	27	27	10	1
63	2	124	92	32	109	18	40	29	10	1
75	2 ½	137	111	40	129	20	55	31	10	1
90	3	175	131	54	144	20	67	32	10	1
110	4	175	153	70	164	23	77	31	10	1
140	5	195	185	92		23	94	35	10	1
160	6	222	198	105	220	26	100	41	10	1
225	8	279	259	154	275	34	152	38	18	1
280	10	340	311	192	330	40	180	41	18	1
315	12	410	347	227	380	45	215	41	18	1

**d Tightness from
water column
(m)**

40	2
50	2
63	2
75	2
90	2
110	2
140	2
160	2
225	2
280	2
315	2



**SYGEF Standard Wafer check valve type 369
With V4A spring (stainless steel 316)**

Model:

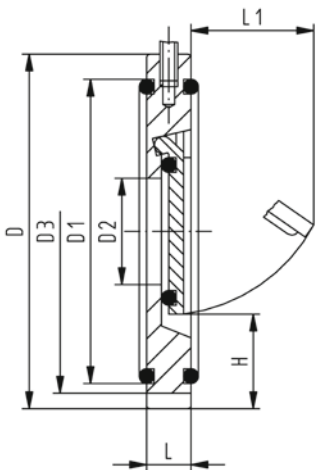
- Material: PVDF
- Supporting eyelets for simple fitting
- Suitable for vertical and horizontal mounting

Installation instruction:

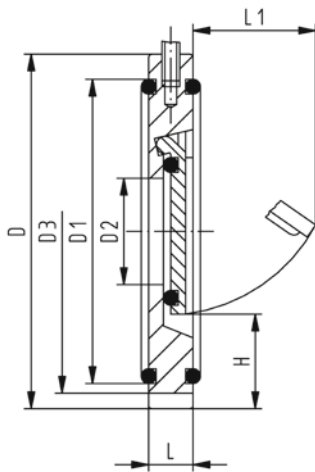
- Installation between ISO/DIN (all dimensions) and ANSI/BS flange adaptors (all except DN32 and DN125)
- Installation with ANSI/BS flange adaptor: for wafer check valves DN40 to DN80 you have to use ANSI/BS flange adaptors with the next bigger dimension (example DN40 wafer check valve between DN50 ANSI/BS flange adaptor)
- Centering by body diameter (ISO/DIN by D3, ANSI/BS by D)
- Sealing with special flange gasket (except DN32, o-ring)
- A stabilizing zone of at least 5 times nominal diameter (DN) should be provided before and after the wafer check valve (10 times DN is recommended)
- No direct installation on pump flange or following bend allowed

Note:

In order to install the wafer check valves properly, Georg Fischer recommends flange adaptors of the next larger diameter of the valve (e.g. wafer check valve d90 with two flange adaptors d110)



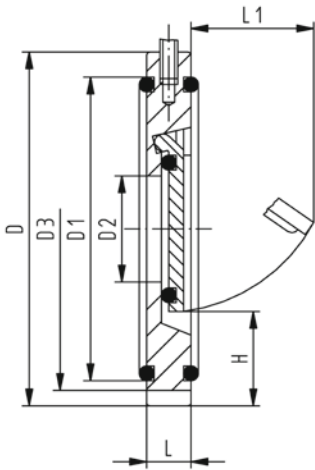
d (mm)	DN (mm)	Size (inch)	PN (bar)	FKM Code	SP	Weight (kg)
40	32	1 ¼	10	175 369 062	1	0.170
50	40	1 ½	10	175 369 063	1	0.210
63	50	2	10	175 369 064	1	0.274
75	65	2 ½	10	175 369 065	1	0.410
90	80	3	10	175 369 066	1	0.508
110	100	4	10	175 369 067	1	0.724
140	125	5	10	175 369 069	1	0.993



d	DN	Size	PN	FKM	SP	Weight
(mm)	(mm)	(inch)	(bar)	Code		(kg)
160	150	6	6	175 369 070	1	1.422
225	200	8	6	175 369 071	1	2.708
280	250	10	6	175 369 072	1	4.423
315	300	12	6	175 369 073	1	6.900

d	closest	D	D1	D2	D3	L	L1	H	Opening	Opening
(mm)	inch	(mm)	(mm)	(mm)	(mm)	(mm)	(mm)	(mm)	pressure	pressure
	(inch)								vertical	horizontal
									(mbar)	(mbar)
40	1 ¼	85	59	18		15	22	25	30	20
50	1 ½	105	77	22	95	16	27	27	30	20
63	2	124	92	32	109	18	40	29	30	20
75	2 ½	137	111	40	129	20	55	31	30	20
90	3	175	131	54	144	20	67	32	30	20
110	4	175	153	70	164	23	77	31	30	20
140	5	195	185	92		23	94	35	30	20
160	6	222	198	105	220	26	100	41	30	20
225	8	279	256	154	275	34	152	38	38	20
280	10	340	311	192	330	40	180	41	38	20
315	12	410	347	227	380	45	215	41	38	20

d	Tightness from
(mm)	water column
	(m)
40	2
50	2
63	2
75	2
90	2
110	2
140	2
160	2
225	2
280	2
315	2



SYGEF Standard Wafer check valve type 369 With Hastelloy C spring

Model:

- Material: PVDF
- Supporting eyelets for simple fitting
- Suitable for vertical and horizontal mounting

Installation instruction:

- Installation between ISO/DIN (all dimensions) and ANSI/BS flange adaptors (all except DN32 and DN125)
- Installation with ANSI/BS flange adaptor: for wafer check valves DN40 to DN80 you have to use ANSI/BS flange adaptors with the next bigger dimension (example DN40 wafer check valve between DN50 ANSI/BS flange adaptor)
- Centering by body diameter (ISO/DIN by D3, ANSI/BS by D)
- Sealing with special flange gasket (except DN32, o-ring)
- A stabilizing zone of at least 5 times nominal diameter (DN) should be provided before and after the wafer check valve (10 times DN is recommended)
- No direct installation on pump flange or following bend allowed

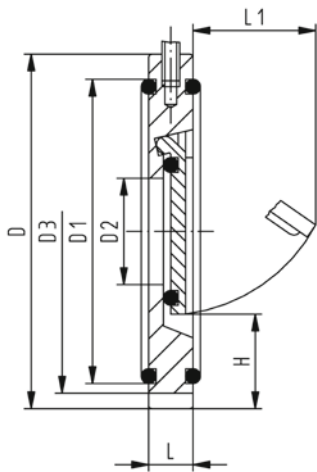
Note:

In order to install the wafer check valves properly, Georg Fischer recommends flange adaptors of the next larger diameter of the valve (e.g. wafer check valve d90 with two flange adaptors d110)

d (mm)	DN (mm)	Size (inch)	PN (bar)	FKM Code	SP	Weight (kg)
40	32	1 ¼	10	175 369 102	1	0.170
50	40	1 ½	10	175 369 103	1	0.210
63	50	2	10	175 369 104	1	0.330
75	65	2 ½	10	175 369 105	1	0.420
90	80	3	10	175 369 106	1	0.510
110	100	4	10	175 369 107	1	0.710
140	125	5	10	175 369 109	1	0.970
160	150	6	6	175 369 110	1	1.420
225	200	8	6	175 369 111	1	2.710
280	250	10	6	175 369 112	1	4.520
315	300	12	6	175 369 113	1	6.900

d (mm)	D (mm)	D1 (mm)	D2 (mm)	D3 (mm)	L (mm)	L1 (mm)	H (mm)	Opening pressure vertical (mbar)	Opening pres- sure horizontal (mbar)	Tightness from water column (m)
40	85	59	18		15	22	25	30	20	2
50	105	74	22	95	16	27	27	30	20	2
63	124	90	32	109	18	40	29	30	20	2
75	137	110	40	129	20	55	31	30	20	2
90	175	125	54	144	20	67	32	30	20	2
110	175	150	70	164	23	77	31	30	20	2
140	195	178	92		23	94	35	30	20	2
160	222	192	105	220	26	100	41	30	20	2
225	279	256	154	275	34	152	38	38	20	2
280	340	306	192	330	40	180	41	38	20	2
315	410	342	227	380	45	215	41	38	20	2

d (mm)	closest inch (inch)
40	1 ¼
50	1 ½
63	2
75	2 ½
90	3
110	4
140	5



d (mm)	closest inch (inch)
160	6
225	8
280	10
315	12

Cone check valves

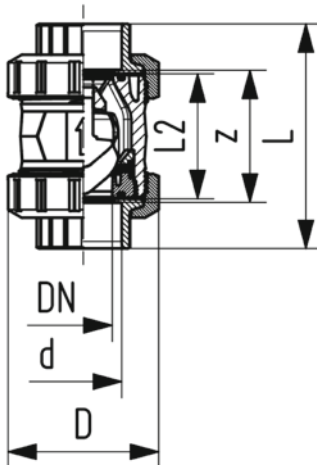


SYGEF Standard check valve type 562 With fusion sockets metric

Model:

- Material: PVDF
- For horizontal or vertical installation
- Sealing at a minimum water column of 1 m
- Spring loaded, spring made of stainless steel (1.4310)
- Spring available in other materials, see spare parts
- Designed for easy installation and removal
- Vibration free even at high flow velocity
- Flow-optimized return cone, double guided
- Compact installation length, same as ball valve type 546
- Z-length, end connectors and union nuts **not** compatible with type 360

Warning: please make sure the diameter is not reduced through welding beads (Danger of turbulences)



d (mm)	DN (mm)	PN (bar)	kv-value ($\Delta p=1$ bar) (l/min)	FKM Code	Weight (kg)	D (mm)	L (mm)	L2 (mm)	z (mm)	Size (inch)
16	10	16	190	175 562 011	0.160	50	93	56	67	$\frac{3}{8}$
20	15	16	180	175 562 012	0.160	50	95	56	66	$\frac{1}{2}$
25	20	16	380	175 562 013	0.340	58	109	65	77	$\frac{3}{4}$
32	25	16	460	175 562 014	0.360	68	119	71	83	1
40	32	16	850	175 562 015	0.670	84	135	85	99	1 $\frac{1}{4}$
50	40	16	1080	175 562 016	0.990	97	147	89	105	1 $\frac{1}{2}$
63	50	16	1670	175 562 017	1.770	124	168	101	117	2
75	65	16	2950	175 562 018	3.630	166	235	136	167	2 $\frac{1}{2}$
90	80	16	3600	175 562 019	5.800	200	255	141	180	3
110	100	16	4150	175 562 020	9.450	238	305	164	215	4

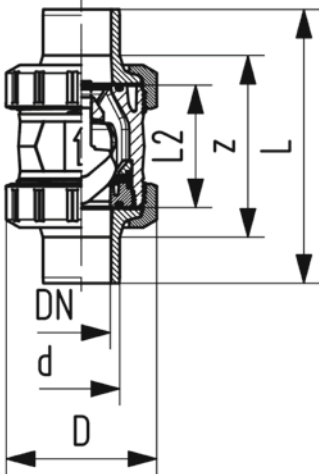


SYGEF Standard check valve type 562
With socket fusion spigots metric

Model:

- Material: PVDF
- For horizontal or vertical installation
- Sealing at a minimum water column of 1 m
- Spring loaded, spring made of stainless steel (1.4310)
- Spring available in other materials, see spare parts
- Designed for easy installation and removal
- Vibration free even at high flow velocity
- Flow-optimized return cone, double guided
- Compact installation length, same as ball valve type 546
- Z-length, end connectors and union nuts **not** compatible with type 360

Warning: please make sure the diameter is not reduced through welding beads (Danger of turbulences)



d (mm)	DN (mm)	PN (bar)	kv-value ($\Delta p=1$ bar) (L/min)	FKM Code	Weight (kg)	D (mm)	L (mm)	L2 (mm)	Size (inch)
16	10	16	190	175 562 051	0.160	50	110	56	3/8
20	15	16	180	175 562 052	0.170	50	120	56	1/2
25	20	16	380	175 562 053	0.370	58	139	65	3/4
32	25	16	460	175 562 054	0.400	68	150	71	1
40	32	16	850	175 562 055	0.670	84	170	85	1 1/4
50	40	16	1080	175 562 056	1.030	97	190	89	1 1/2
63	50	16	1670	175 562 057	1.830	124	220	101	2

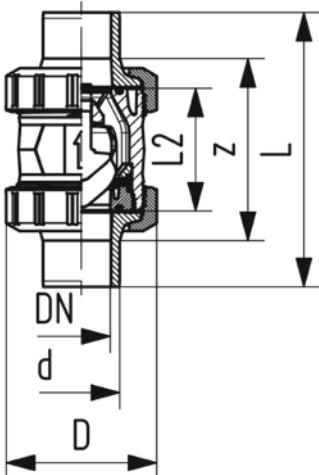


SYGEF Standard check valve type 562
With butt fusion spigots IR-Plus metric

Model:

- Material: PVDF
- For horizontal or vertical installation
- Sealing at a minimum water column of 1 m
- Spring loaded, spring made of stainless steel (1.4310)
- Spring available in other materials, see spare parts
- Designed for easy installation and removal
- Vibration free even at high flow velocity
- Flow-optimized return cone, double guided
- Compact installation length, same as ball valve type 546
- Z-length, end connectors and union nuts **not** compatible with type 360

Warning: please make sure the diameter is not reduced through welding beads (Danger of turbulences)



d (mm)	DN (mm)	PN (bar)	kv-value ($\Delta p=1$ bar) (L/min)	FKM Code	Weight (kg)	D (mm)	L (mm)	L2 (mm)	e (mm)	Size (inch)
20	15	16	180	175 562 092	0.160	50	130	56	1.9	1/2
25	20	16	380	175 562 093	0.350	58	143	65	1.9	3/4
32	25	16	460	175 562 094	0.380	68	150	71	2.4	1
40	32	16	850	175 562 095	0.660	84	171	85	2.4	1 1/4
50	40	16	1080	175 562 096	1.000	97	191	89	3.0	1 1/2
63	50	16	1670	175 562 097	1.790	124	220	101	3.0	2
75	65	16	2950	175 562 098	3.680	166	270	136	3.6	2 1/2
90	80	16	3600	175 562 099	5.760	200	265	141	4.3	3
110	100	16	4150	175 562 100	9.270	238	305	164	5.3	4

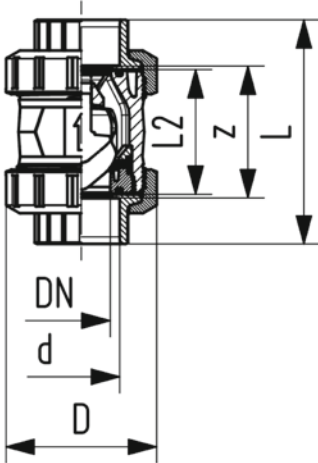
SYGEF Standard silicone free check valve type 562
With fusion sockets metric



Model:

- Material: PVDF / silicone free cleaned
- For horizontal or vertical installation
- Sealing at a minimum water column of 1 m
- Spring loaded, spring made of stainless steel (1.4310)
- Spring available in other materials, see spare parts
- Designed for easy installation and removal
- Vibration free even at high flow velocity
- Flow-optimized return cone, double guided
- Compact installation length, same as ball valve type 546
- Z-length, end connectors and union nuts **not** compatible with type 360

Warning: please make sure the diameter is not reduced through welding beads (Danger of turbulences)



d (mm)	DN (mm)	PN (bar)	kv-value ($\Delta p=1$ bar) (L/min)	FKM Code	Weight (kg)	D (mm)	L (mm)	L2 (mm)	z (mm)	closest inch (inch)
16	10	16	190	175 562 211	0.160	50	93	56	67	¾
20	15	16	180	175 562 212	0.160	50	95	56	66	½
25	20	16	380	175 562 213	0.340	58	109	65	77	¾
32	25	16	460	175 562 214	0.360	68	119	71	83	1
40	32	16	850	175 562 215	0.670	84	135	85	99	1 ¼
50	40	16	1080	175 562 216	0.990	97	147	89	105	1 ½
63	50	16	1670	175 562 217	1.770	124	168	101	117	2
75	65	16	2950	175 562 218	3.630	166	235	136	167	2 ½
90	80	16	3600	175 562 219	5.800	200	255	141	180	3
110	100	16	4150	175 562 220	9.450	238	305	164	215	4

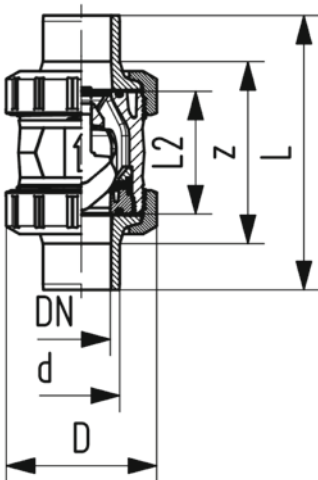
SYGEF Standard silicone free check valve type 562
With socket fusion spigots metric



Model:

- Material: PVDF / silicone free cleaned
- For horizontal or vertical installation
- Sealing at a minimum water column of 1 m
- Spring loaded, spring made of stainless steel (1.4310)
- Spring available in other materials, see spare parts
- Designed for easy installation and removal
- Vibration free even at high flow velocity
- Flow-optimized return cone, double guided
- Compact installation length, same as ball valve type 546
- Z-length, end connectors and union nuts **not** compatible with type 360

Warning: please make sure the diameter is not reduced through welding beads (Danger of turbulences)



d (mm)	DN (mm)	PN (bar)	kv-value ($\Delta p=1$ bar) (L/min)	FKM Code	SP Weight (kg)	D (mm)	L (mm)	L2 (mm)	closest inch (inch)	
20	15	16	180	175 562 232	1	0.170	50	120	56	½
25	20	16	380	175 562 233	1	0.370	58	139	65	¾
32	25	16	460	175 562 234	1	0.400	68	150	71	1
40	32	16	850	175 562 235	1	0.670	84	170	85	1 ¼
50	40	16	1080	175 562 236	1	1.030	97	190	89	1 ½
63	50	16	1670	175 562 237	1	1.830	124	220	101	2

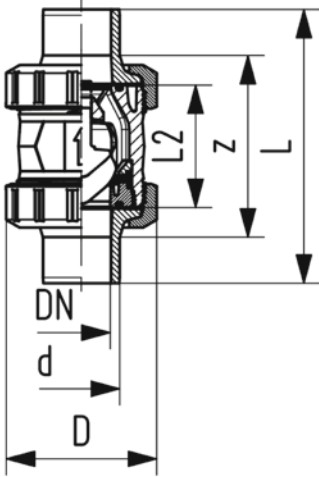


SYGEF Standard silicone free check valve type 562
With fusion spigots IR-Plus metric

Model:

- Material: PVDF / silicone free cleaned
- For horizontal or vertical installation
- Sealing at a minimum water column of 1 m
- Spring loaded, spring made of stainless steel (1.4310)
- Spring available in other materials, see spare parts
- Designed for easy installation and removal
- Vibration free even at high flow velocity
- Flow-optimized return cone, double guided
- Compact installation length, same as ball valve type 546
- Z-length, end connectors and union nuts **not** compatible with type 360

Warning: please make sure the diameter is not reduced through welding beads (Danger of turbulences)



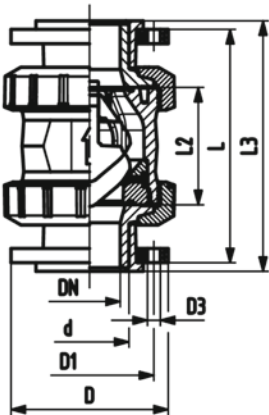
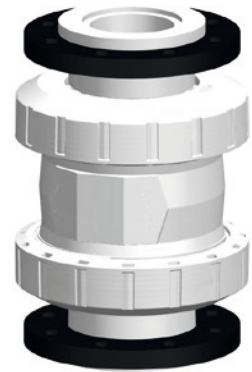
d (mm)	DN (mm)	PN (bar)	kv-value ($\Delta p=1$ bar) (l/min)	FKM Code	Weight (kg)	D (mm)	L (mm)	L2 (mm)	e (mm)	closest inch (inch)
20	15	16	180	175 562 272	0.160	50	130	56	1.9	½
25	20	16	380	175 562 273	0.350	58	143	65	1.9	¾
32	25	16	460	175 562 274	0.380	68	150	71	2.4	1
40	32	16	850	175 562 275	0.660	84	171	85	2.4	1 ¼
50	40	16	1080	175 562 276	1.000	97	191	89	3.0	1 ½
63	50	16	1670	175 562 277	1.790	124	220	101	3.0	2
75	65	16	2950	175 562 278	3.680	166	290	136	3.6	2 ½
90	80	16	3600	175 562 279	5.760	200	310	141	4.3	3
110	100	16	4150	175 562 280	9.270	238	350	164	5.3	4

SYGEF Standard check valve type 562
With backing flanges PP-st metric

Model:

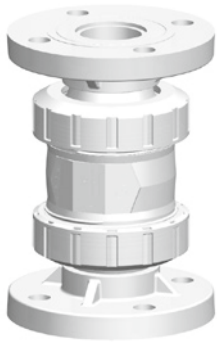
- Material: PVDF
- For horizontal or vertical installation
- Sealing at a minimum water column of 1 m
- Spring loaded, spring made of stainless steel (1.4310)
- Spring available in other materials, see spare parts
- Designed for easy installation and removal
- Vibration free even at high flow velocity
- Flow-optimized return cone, double guided
- Compact installation length, same as ball valve type 546
- Z-length, end connectors and union nuts **not** compatible with type 360
- Overall length according to EN 558
- Connecting dimension: ISO 7005, EN 1092, BS 4504, DIN 2501

Warning: please make sure the diameter is not reduced through welding beads (Danger of turbulences)



d (mm)	DN (mm)	PN (bar)	kv-value ($\Delta p=1$ bar) (l/min)	FKM Code	SP Weight (kg)
75	65	16	2950	175 562 288	1 9.230
90	80	16	3600	175 562 289	1 13.430
110	100	16	4150	175 562 290	1 18.200

d (mm)	D (mm)	D1 (mm)	D3 (mm)	H (mm)	H1 (mm)	L (mm)	L1 (mm)	L2 (mm)	L3 (mm)	L4 (mm)	L5 (mm)	L6 (mm)	M (inch)	Size (inch)
75	166	145	18	149	85	280	270	136	290	70	64	206	M8	1 ¼
90	200	160	18	161	105	296	270	141	310	70	64	206	M8	1 ½
110	238	180	18	178	123	336	320	164	350	120	64	206	M12	2

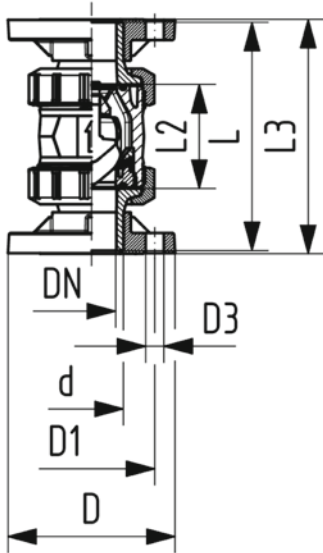


SYGEF Standard check valve type 562
With fixed flanges metric

Model:

- Material: PVDF
- For horizontal or vertical installation
- Sealing at a minimum water column of 1 m
- Spring loaded, spring made of stainless steel (1.4310)
- Spring available in other materials, see spare parts
- Designed for easy installation and removal
- Vibration free even at high flow velocity
- Flow-optimized return cone, double guided
- Compact installation length, same as ball valve type 546
- Installation length according to EN 558-1
- Z-length, end connectors and union nuts **not** compatible with type 360
- Connecting dimension: ISO 7005 PN10, EN 1092 PN10, DIN 2501 PN10

Warning: please make sure the diameter is not reduced through welding beads (Danger of turbulences)



d (mm)	DN (mm)	PN (bar)	kv-value ($\Delta p=1$ bar) (l/min)	FKM Code	SP	Weight (kg)
20	15	16	180	175 562 192	1	0.420
25	20	16	380	175 562 193	1	0.700
32	25	16	460	175 562 194	1	0.860
40	32	16	850	175 562 195	1	1.430
50	40	16	1080	175 562 196	1	1.940
63	50	16	1670	175 562 197	1	3.160

d (mm)	D (mm)	D1 (mm)	D3 (mm)	L (mm)	L2 (mm)	L3 (mm)	Size (inch)
20	93	65	14	120	56	130	½
25	103	75	14	140	65	150	¾
32	115	85	14	150	71	160	1
40	137	100	18	170	85	180	1 ¼
50	147	110	18	190	89	200	1 ½
63	162	125	18	220	101	230	2

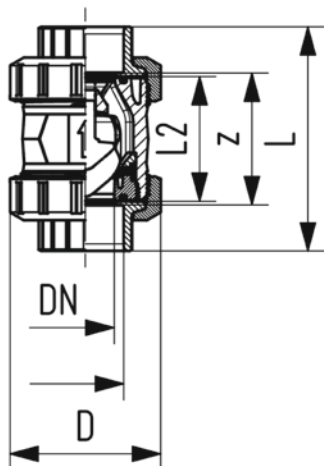


SYGEF Standard check valve type 562 With threaded sockets NPT

Model:

- Material: PVDF
- For horizontal or vertical installation
- Sealing at a minimum water column of 1 m
- Spring loaded, spring made of stainless steel (1.4310)
- Spring available in other materials, see spare parts
- Designed for easy installation and removal
- Vibration free even at high flow velocity
- Flow-optimized return cone, double guided
- Compact installation length, same as ball valve type 546
- Z-length, end connectors and union nuts **not** compatible with type 360

Warning: please make sure the diameter is not reduced through welding beads (Danger of turbulences)



NPT (inch)	DN (mm)	PN (bar)	kv-value ($\Delta p=1$ bar) (l/min)	FKM Code	SP	Weight (kg)	D (mm)	L (mm)	L2 (mm)	z (mm)
3/8	10	10	190	175 562 111	1	0.150	50	96	56	69
1/2	15	10	180	175 562 112	1	0.160	50	99	56	64
3/4	20	10	380	175 562 113	1	0.350	58	111	65	76
1	25	10	460	175 562 114	1	0.390	68	127	71	83
1 1/4	32	10	850	175 562 115	1	0.680	84	146	85	101
1 1/2	40	10	1080	175 562 116	1	1.000	97	157	89	111
2	50	10	1670	175 562 117	1	1.770	124	183	101	135

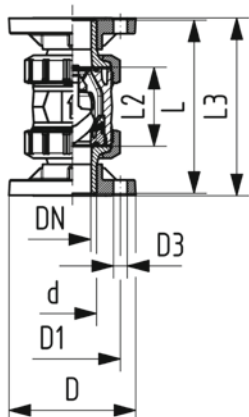


SYGEF Standard check valve type 562 With fixed flanges ANSI

Model:

- Material: PVDF
- Sealing at a minimum water column of 2 m
- Designed for easy installation and removal
- Vibration free even at high flow velocity
- Flow-optimized return cone, double guided
- For vertical installation
- Compact installation length, same as ball valve type 546
- Installation length according to EN 558-1
- Z-length, end connectors and union nuts **not** compatible with type 360
- Connecting dimension: ANSI/ASME B 16.5 class 150, ASTM D 4024, BS 1560, BS EN 1759

Warning: please make sure the diameter is not reduced through welding beads (Danger of turbulences)



d (mm)	DN (mm)	PN (bar)	kv-value ($\Delta p=1$ bar) (l/min)	FKM Code	D (mm)	D1 (mm)	D3 (mm)	L (mm)	L2 (mm)	L3 (mm)	Size (inch)
20	15	16	180		93	60	16	120	56	130	1/2
25	20	16	380		103	70	16	140	65	150	3/4
32	25	16	460	800 052 131	115	79	16	150	71	160	1
40	32	16	850		137	89	16	170	85	180	1 1/4
50	40	16	1080	800 052 132	147	98	16	190	89	200	1 1/2
63	50	16	1670		162	121	19	220	101	230	2

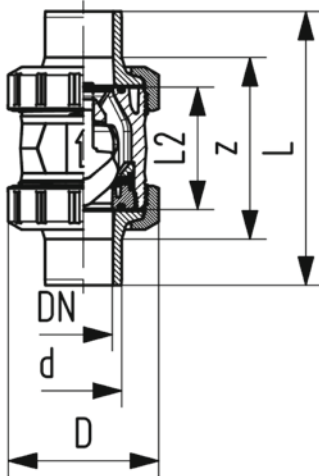


SYGEF Standard Check valve type 561
Without spring
With butt fusion spigots IR-Plus metric

Model:

- Material: PVDF
- Sealing at a minimum water column of 2 m
- Designed for easy installation and removal
- Vibration free even at high flow velocity
- Flow-optimized return cone, double guided
- For vertical installation
- Compact installation length, same as ball valve type 546
- Z-length, end connectors and union nuts **not** compatible with type 360

Warning: please make sure the diameter is not reduced through welding beads (Danger of turbulences)

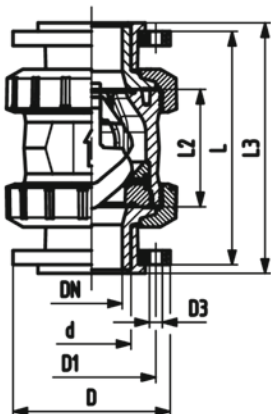


d	DN	Size	PN	kv-value	FKM	Weight	D	L	L2	e	closest
(mm)	(mm)	(inch)	(bar)	($\Delta p=1$ bar)	Code	(kg)	(mm)	(mm)	(mm)	(mm)	inch
				(l/min)							
20	15	½	16	180	175 561 092	0.160	50	130	56	1.9	½
25	20	¾	16	380	175 561 093	0.350	58	143	65	1.9	¾
32	25	1	16	460	175 561 094	0.380	68	150	71	2.4	1
40	32	1 ¼	16	850	175 561 095	0.660	84	171	85	2.4	1 ¼
50	40	1 ½	16	1080	175 561 096	1.000	97	191	89	3.0	1 ½
63	50	2	16	1670	175 561 097	1.790	124	220	101	3.0	2
75	65	2 ½	16	2950	175 561 098	3.680	166	270	136	3.6	2 ½
90	80	3	16	3600	175 561 099	5.760	200	265	141	4.3	3
110	100	4	16	4150	175 561 100	9.270	238	305	164	5.3	4

SYGEF Standard Check valve type 561
Without spring
With backing flanges PP-st metric

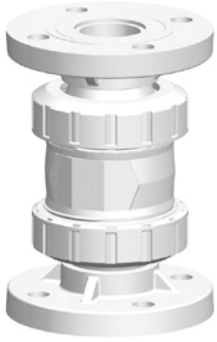
Model:

- Material: PVDF
- Sealing at a minimum water column of 2 m
- Designed for easy installation and removal
- Vibration free even at high flow velocity
- Flow-optimized return cone, double guided
- For vertical installation
- Compact installation length, same as ball valve type 546
- Z-length, end connectors and union nuts **not** compatible with type 360
- Overall length according to EN 558
- Connecting dimension: ISO 7005, EN 1092, BS 4504, DIN 2501



d	DN	Size	PN	kv-value	FKM	SP	Weight
(mm)	(mm)	(inch)	(bar)	($\Delta p=1$ bar)	Code		(kg)
				(l/min)			
75	65	2 ½	16	2950	175 561 288	1	9.230
90	80	3	16	3600	175 561 289	1	13.430
110	100	4	16	4150	175 561 290	1	18.200

d	D	D1	D3	H	H1	L	L1	L2	L3	L4	L5	L6	M	closest
(mm)	(mm)	(mm)	(mm)	(mm)	(mm)	(mm)	(mm)	(mm)	(mm)	(mm)	(mm)	(mm)		inch
														(inch)
75	166	145	18	149	85	280	270	136	290	70	64	206	M8	2 ½
90	200	160	18	161	105	296	270	141	310	70	64	206	M8	3
110	238	180	18	178	123	336	320	164	350	120	64	206	M12	4

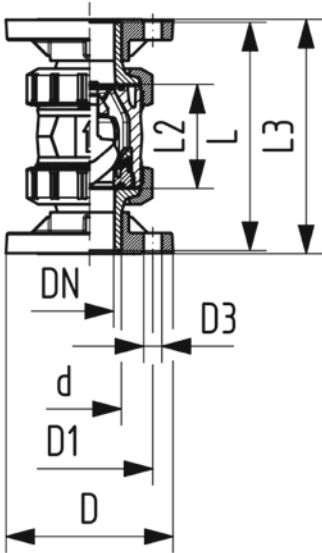


SYGEF Standard Check valve type 561
Without spring
With fixed flanges metric

Model:

- Material: PVDF
- Sealing at a minimum water column of 2 m
- Designed for easy installation and removal
- Vibration free even at high flow velocity
- Flow-optimized return cone, double guided
- For vertical installation
- Compact installation length, same as ball valve type 546
- Installation length according to EN 558-1
- Z-length, end connectors and union nuts **not** compatible with type 360
- Connecting dimension: ISO 7005 PN10, EN 1092 PN10, DIN 2501 PN10

Warning: please make sure the diameter is not reduced through welding beads (Danger of turbulences)



d (mm)	DN (mm)	Size (inch)	PN (bar)	kv-value ($\Delta p=1$ bar) (l/min)	FKM Code	SP	Weight (kg)
20	15	½	16	180	175 561 192	1	0.420
25	20	¾	16	380	175 561 193	1	0.700
32	25	1	16	460	175 561 194	1	0.860
40	32	1 ¼	16	850	175 561 195	1	1.430
50	40	1 ½	16	1080	175 561 196	1	1.940
63	50	2	16	1670	175 561 197	1	3.160

d (mm)	D (mm)	D1 (mm)	D3 (mm)	L (mm)	L2 (mm)	L3 (mm)	closest inch (inch)
20	93	65	14	120	56	130	½
25	103	75	14	140	65	150	¾
32	115	85	14	150	71	160	1
40	137	100	18	170	85	180	1 ¼
50	147	110	18	190	89	200	1 ½
63	162	125	18	220	101	230	2

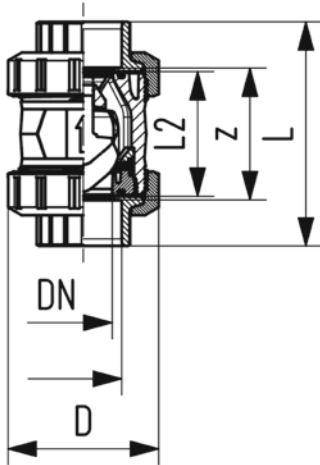


SYGEF Standard Check valve type 561
Without spring
With threaded sockets NPT

Model:

- Material: PVDF
- Sealing at a minimum water column of 2 m
- Designed for easy installation and removal
- Vibration free even at high flow velocity
- Flow-optimized return cone, double guided
- For vertical installation
- Compact installation length, same as ball valve type 546
- Z-length, end connectors and union nuts **not** compatible with type 360

Warning: please make sure the diameter is not reduced through welding beads (Danger of turbulences)



d (mm)	DN (mm)	Thread Type	Size (inch)	PN (bar)	kv-value ($\Delta p=1$ bar) (L/min)	FKM Code	SP	Weight (kg)
16	10	NPT	3/8	10	190	175 561 111	1	0.150
20	15	NPT	1/2	10	180	175 561 112	1	0.160
25	20	NPT	3/4	10	380	175 561 113	1	0.350
32	25	NPT	1	10	460	175 561 114	1	0.390
40	32	NPT	1 1/4	10	850	175 561 115	1	0.680
50	40	NPT	1 1/2	10	1080	175 561 116	1	1.000
63	50	NPT	2	10	1670	175 561 117	1	1.770

D (mm)	L (mm)	L2 (mm)	z (mm)
50	96	56	69
50	99	56	64
58	111	65	76
68	127	71	83
84	146	85	101
97	157	89	111
124	183	101	135

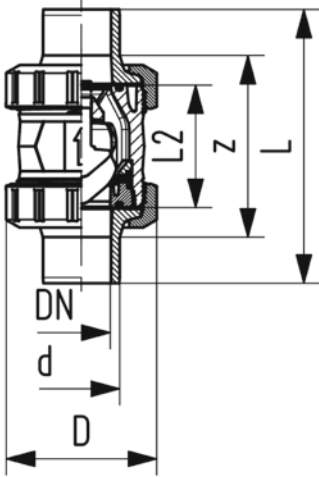


SYGEF Standard Check valve type 561
Without spring
With socket fusion spigots metric

Model:

- Material: PVDF
- Sealing at a minimum water column of 2 m
- Designed for easy installation and removal
- Vibration free even at high flow velocity
- Flow-optimized return cone, double guided
- For vertical installation
- Compact installation length, same as ball valve type 546
- Z-length, end connectors and union nuts **not** compatible with type 360

Warning: please make sure the diameter is not reduced through welding beads (Danger of turbulences)



d (mm)	DN (mm)	Size (inch)	PN (bar)	kv-value ($\Delta p=1$ bar) (l/min)	FKM Code	SP Weight (kg)	D (mm)	L (mm)	L2 (mm)	closest inch (inch)	
16	10	3/8	16	190	175 561 051	1	0.160	50	110	56	3/8
20	15	1/2	16	180	175 561 052	1	0.170	50	120	56	1/2
25	20	3/4	16	380	175 561 053	1	0.370	58	139	65	3/4
32	25	1	16	460	175 561 054	1	0.400	68	150	71	1
40	32	1 1/4	16	850	175 561 055	1	0.670	84	170	85	1 1/4
50	40	1 1/2	16	1080	175 561 056	1	1.030	97	190	89	1 1/2
63	50	2	16	1670	175 561 057	1	1.830	124	220	101	2

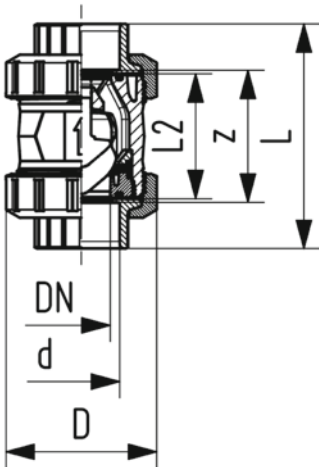


SYGEF Standard Check valve type 561
Without spring
With fusion sockets metric

Model:

- Material: PVDF
- Sealing at a minimum water column of 2 m
- Designed for easy installation and removal
- Vibration free even at high flow velocity
- Flow-optimized return cone, double guided
- For vertical installation
- Compact installation length, same as ball valve type 546
- Z-length, end connectors and union nuts **not** compatible with type 360

Warning: please make sure the diameter is not reduced through welding beads (Danger of turbulences)



d (mm)	DN (mm)	Size (inch)	PN (bar)	kv-value ($\Delta p=1$ bar) (l/min)	FKM Code	Weight (kg)	D (mm)	L (mm)	L2 (mm)	z (mm)	closest inch (inch)
16	10	3/8	16	190	175 561 011	0.160	50	93	56	67	3/8
20	15	1/2	16	180	175 561 012	0.160	50	95	56	66	1/2
25	20	3/4	16	380	175 561 013	0.340	58	109	65	77	3/4
32	25	1	16	460	175 561 014	0.360	68	119	71	83	1
40	32	1 1/4	16	850	175 561 015	0.670	84	135	85	99	1 1/4
50	40	1 1/2	16	1080	175 561 016	0.990	97	147	89	105	1 1/2
63	50	2	16	1670	175 561 017	1.770	124	168	101	117	2
75	65	2 1/2	16	2950	175 561 018	3.630	166	233	136	167	2 1/2
90	80	3	16	3600	175 561 019	5.800	200	254	141	180	3
110	100	4	16	4150	175 561 020	9.450	238	301	164	215	4

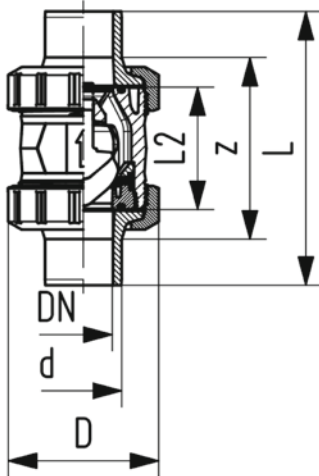


SYGEF Standard Check valve type 561 silicone free
Without spring
With butt fusion spigots IR-Plus metric

Model:

- Material: PVDF / silicone free cleaned
- Sealing at a minimum water column of 2 m
- Designed for easy installation and removal
- Vibration free even at high flow velocity
- Flow-optimized return cone, double guided
- For vertical installation
- Compact installation length, same as ball valve type 546
- Z-length, end connectors and union nuts **not** compatible with type 360

Warning: please make sure the diameter is not reduced through welding beads (Danger of turbulences)



d (mm)	DN (mm)	PN (bar)	kv-value ($\Delta p=1$ bar) (l/min)	FKM Code	Weight (kg)	D (mm)	L (mm)	L2 (mm)	e (mm)	closest inch (inch)
20	15	16	180	175 561 272	0.160	50	130	56	1.9	½
25	20	16	380	175 561 273	0.350	58	143	65	1.9	¾
32	25	16	460	175 561 274	0.367	68	150	71	2.4	1
40	32	16	850	175 561 275	0.660	84	171	85	2.4	1 ¼
50	40	16	1080	175 561 276	1.000	97	191	89	3.0	1 ½
63	50	16	1670	175 561 277	1.790	124	220	101	3.0	2
75	65	16	2950	175 561 278	3.680	166	290	136	3.6	2 ½
90	80	16	3600	175 561 279	5.760	200	310	141	4.3	3
110	100	16	4150	175 561 280	9.270	238	350	164	5.3	4

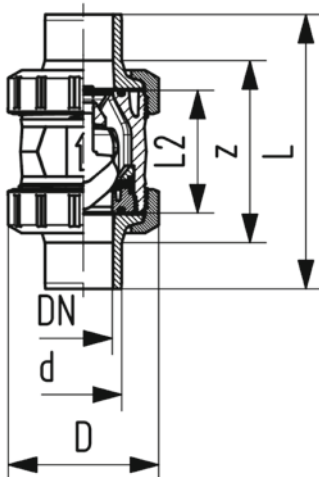


SYGEF Standard Check valve type 561 silicone free
Without spring
With socket fusion spigots metric

Model:

- Material: PVDF / silicone free cleaned
- Sealing at a minimum water column of 2 m
- Designed for easy installation and removal
- Vibration free even at high flow velocity
- Flow-optimized return cone, double guided
- For vertical installation
- Compact installation length, same as ball valve type 546
- Z-length, end connectors and union nuts **not** compatible with type 360

Warning: please make sure the diameter is not reduced through welding beads (Danger of turbulences)



d (mm)	DN (mm)	PN (bar)	kv-value ($\Delta p=1$ bar) (l/min)	FKM Code	SP Weight (kg)	D (mm)	L (mm)	L2 (mm)	closest inch (inch)	
20	15	16	180	175 561 232	1	0.170	50	120	56	½
25	20	16	380	175 561 233	1	0.370	58	139	65	¾
32	25	16	460	175 561 234	1	0.400	68	150	71	1
40	32	16	850	175 561 235	1	0.670	84	170	85	1 ¼
50	40	16	1080	175 561 236	1	1.030	97	190	89	1 ½
63	50	16	1670	175 561 237	1	1.830	124	220	101	2

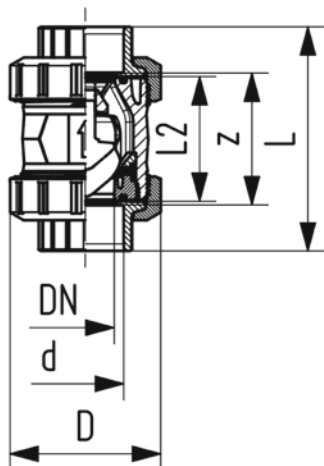


SYGEF Standard Check valve type 561 silicone free
Without spring
With fusion sockets metric

Model:

- Material: PVDF / silicone free cleaned
- Sealing at a minimum water column of 2 m
- Designed for easy installation and removal
- Vibration free even at high flow velocity
- Flow-optimized return cone, double guided
- For vertical installation
- Compact installation length, same as ball valve type 546
- Z-length, end connectors and union nuts **not** compatible with type 360

Warning: please make sure the diameter is not reduced through welding beads (Danger of turbulences)



d (mm)	DN (mm)	PN (bar)	kv-value ($\Delta p=1$ bar) (l/min)	FKM Code	SP	Weight (kg)	D (mm)	L (mm)	L2 (mm)	z (mm)	closest inch (inch)
16	10	16	190	175 561 211	1	0.160	50	93	56	67	3/8
20	15	16	180	175 561 212	1	0.160	50	95	56	66	1/2
25	20	16	380	175 561 213	1	0.340	58	109	65	77	3/4
32	25	16	460	175 561 214	1	0.360	68	119	71	83	1
40	32	16	850	175 561 215	1	0.670	84	135	85	99	1 1/4
50	40	16	1080	175 561 216	1	0.990	97	147	89	105	1 1/2
63	50	16	1670	175 561 217	1	1.770	124	168	101	117	2
75	65	16	2950	175 561 218	1	3.630	166	235	136	167	2 1/2
90	80	16	3600	175 561 219	1	5.800	200	255	141	180	3
110	100	16	4150	175 561 220	1	9.450	238	305	164	215	4

Process control valves

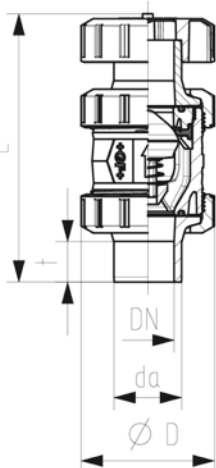


SYGEF Standard Ventilating valve type 595
With socket fusion spigots metric

Model:

- Material: PVDF
- With protection cap up to DN50 made of PP-GF, DN65-100 made of POM
- Spring HALAR coated
- Spring available in other materials, see spare parts
- Designed for easy installation and removal
- Compact installation length

d (mm)	DN (mm)	PN (bar)	FKM Code	D (mm)	L (mm)	t (mm)	closest inch (inch)
16	10	16	175 595 031	50	135	13	3/8
20	15	16	175 595 032	50	140	14	1/2
25	20	16	175 595 033	58	157	16	3/4
32	25	16	175 595 034	68	168	18	1
40	32	16	175 595 035	84	189	20	1 1/4
50	40	16	175 595 036	97	211	23	1 1/2
63	50	16	175 595 037	124	245	27	2



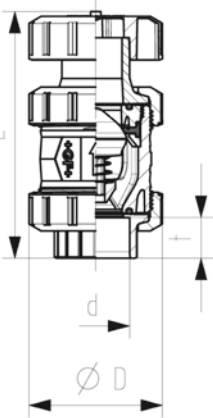
SYGEF Standard Ventilating valve type 595
With fusion sockets metric



Model:

- Material: PVDF
- With protection cap up to DN50 made of PP-GF, DN65-100 made of POM
- Spring HALAR coated
- Spring available in other materials, see spare parts
- Designed for easy installation and removal
- Compact installation length

d (mm)	DN (mm)	PN (bar)	FKM Code	D (mm)	L (mm)	t (mm)	closest inch (inch)
16	10	16	175 595 011	50	126	14	3/8
20	15	16	175 595 012	50	127	15	1/2
25	20	16	175 595 013	58	142	16	3/4
32	25	16	175 595 014	68	153	18	1
40	32	16	175 595 015	84	171	19	1 1/4
50	40	16	175 595 016	97	190	21	1 1/2
63	50	16	175 595 017	124	219	26	2
75	65	16	175 595 018	166	256	33	2 1/2
90	80	16	175 595 019	200	275	37	3
110	100	16	175 595 020	238	318	43	4



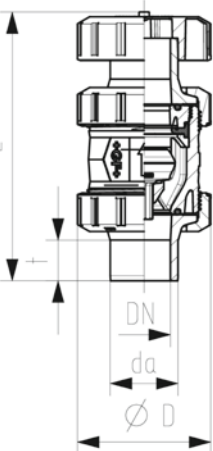
SYGEF Standard Ventilating and bleed valve type 591
With socket fusion spigots metric



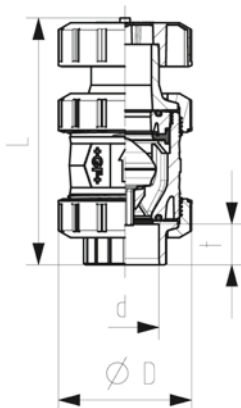
Model:

- Material: PVDF
- With protection cap up to DN50 made of PP-GF, DN65-100 made of POM
- Special floater made of PVDF
- Designed for easy installation and removal
- Compact installation length

d (mm)	DN (mm)	PN (bar)	FKM Code	D (mm)	L (mm)	t (mm)	closest inch (inch)
16	10	16	175 591 031	50	135	13	3/8
20	15	16	175 591 032	50	140	14	1/2
25	20	16	175 591 033	58	157	16	3/4
32	25	16	175 591 034	68	168	18	1
40	32	16	175 591 035	84	189	20	1 1/4
50	40	16	175 591 036	97	211	23	1 1/2
63	50	16	175 591 037	124	245	27	2



SYGEF Standard Ventilating and bleed valve type 591
With fusion sockets metric



Model:

- Material: PVDF
- With protection cap up to DN50 made of PP-GF, DN65-100 made of POM
- Special floater made of PVDF
- Designed for easy installation and removal
- Compact installation length

d (mm)	DN (mm)	PN (bar)	FKM Code	D (mm)	L (mm)	t (mm)	closest inch (inch)
16	10	16	175 591 011	50	126	14	3/8
20	15	16	175 591 012	50	127	15	1/2
25	20	16	175 591 013	58	142	16	3/4
32	25	16	175 591 014	68	153	18	1
40	32	16	175 591 015	84	171	19	1 1/4
50	40	16	175 591 016	97	190	21	1 1/2
63	50	16	175 591 017	124	219	26	2
75	65	16	175 591 018	166	256	33	2 1/2
90	80	16	175 591 019	200	275	37	3
110	100	16	175 591 020	238	318	43	4

SYGEF Standard Water jet suction pump type P20

Model:

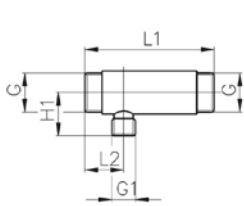
- Material: PVDF
- DN 10-20: BSP parallel female thread and solvent cement socked metric with FKM o-rings
- DN 25-50: Fusion socket metric with FKM o-rings
- DN 65-80: Fusion spigot metric without o-rings



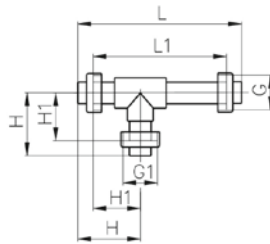
d (mm)	DN (mm)	Size (inch)	PN (bar)	Code	Weight (kg)
16	10	3/8	10	199 041 138	0.184
20	15	1/2	10	199 041 139	0.278
25	20	3/4	10	199 041 140	0.476
32	25	1	10	199 041 141	0.690
40	32	1 1/4	10	199 041 142	1.100
50	40	1 1/2	10	199 041 143	1.649
63	50	2	10	199 041 144	3.340
75	65	2 1/2	10	199 041 145	3.340
90	80	3	10	199 041 146	5.500

d (mm)	H (mm)	H1 (mm)	L (mm)	L1 (mm)	L2 (mm)	G (inch)	G1 (inch)	closest inch (inch)
16		35		110	40	R 3/4	R 3/4	3/8
20		35		110	40	R 1	R 3/4	1/2
25		45		145	45	R 1 1/4	R 3/4	3/4
32	96	71	245	195		R 1 1/2	R 1 1/2	1
40	116	87	297	239		R 2	R 2	1 1/4

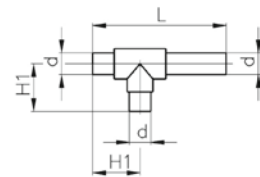
d	H	H1	L	L1	L2	G	G1	closest inch
(mm)	(mm)	(mm)	(mm)	(mm)	(mm)	(inch)	(inch)	(inch)
50	139	105	369	301		R 2¼	R 2¼	1 ½
63	169	128	433	351		R 2¾	R 2¾	2
75		115	388					2 ½
90		149	465					3



DN 10 - 20



DN 25 - 50

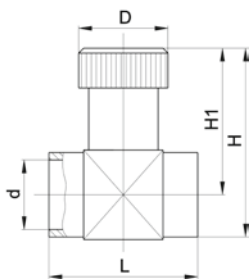


DN 65 - 80

SYGEF Standard Throttle valve type V251 With fusion sockets metric

Model:

- Material: PVDF



d	DN	Size	PN	FKM Code	SP	Weight (kg)	D	H	H1	L	closest inch
(mm)	(mm)	(inch)	(bar)				(mm)	(mm)	(mm)	(mm)	(inch)
16	10	¾	10	199 041 231	1	0.100	29	57	45	47	¾
20	15	½	10	199 041 232		0.106	35	66	51	55	½
25	20	¾	10	199 041 233		0.143	40	80	63	66	¾
32	25	1	10	199 041 234		0.273	47	96	75	80	1
40	32	1 ¼	10	199 041 235		0.400	56	111	86	100	1 ¼
50	40	1 ½	10	199 041 236		0.923	70	133	101	120	1 ½
63	50	2	10	199 041 237		1.300	88	158	118	146	2

Actuated valves

Ball valves electric



SYGEF Standard Ball valve type 181
100-230V
With manual emergency override
With fusion sockets PVDF ISO

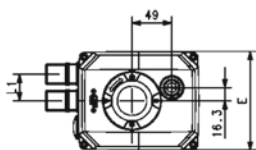
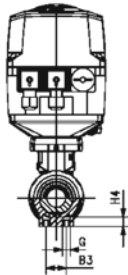
Model:

- IP68 Rating
- Factory set control range 90°<
- Heating element, position feedback (Open/Close/ Middle)
- Integrated stainless steel mounting inserts

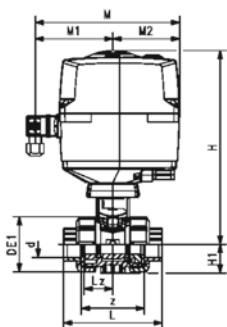
Option:

- Other valve and actuator configurations available
- Optional accessories: Monitoring board, Positioner, Profibus DP board, Modbus TCP EA 25-250 Ethernet Interface Card

d (mm)	DN (mm)	Size (inch)	PN (bar)	kv-value (Δp=1 bar) (l/min)	FKM Code	Weight (kg)
16	10	3/8	10	70	199 181 012	2.100
20	15	1/2	10	185	199 181 013	2.100
25	20	3/4	10	350	199 181 014	2.200
32	25	1	10	700	199 181 015	2.300
40	32	1 1/4	10	1000	199 181 016	2.600
50	40	1 1/2	10	1600	199 181 017	3.000
63	50	2	10	3100	199 181 018	3.800
75	65	2 1/2	10	5000	199 181 019	8.800
90	80	3	10	7000	199 181 020	11.900
110	100	4	10	11000	199 181 021	17.500



d (mm)	Actuator	B3 (mm)	DE1 (mm)	E (mm)	G (mm)	H (mm)	H1 (mm)	H4 (mm)	L (mm)	L1 (mm)	Lz (mm)	M (mm)	M1 (mm)	M2 (mm)	z (mm)
16	EA25	25	50	122	M6	227	27	12	93	33	28	180	97	83	67
20	EA25	25	50	122	M6	227	27	12	95	33	28	180	97	83	66
25	EA25	25	58	122	M6	231	30	12	109	33	33	180	97	83	77
32	EA25	25	68	122	M6	237	36	12	119	33	36	180	97	83	83
40	EA25	45	84	122	M8	243	44	15	135	33	43	180	97	83	99
50	EA25	45	97	122	M8	249	51	15	147	33	45	180	97	83	105
63	EA25	45	124	122	M8	264	64	15	168	33	51	180	97	83	117
75	EA45	70	166	122	M8	313	85	15	233	33	68	180	98	82	167
90	EA45	70	200	122	M8	325	105	15	254	33	71	180	98	82	180
110	EA120	120	238	122	M12	363	123	22	301	33	82	180	98	82	215



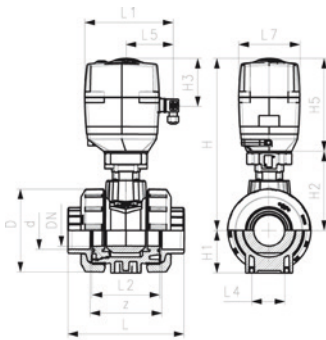
SYGEF Standard Ball valve type 181
100-230V
With manual emergency override
With butt fusion spigots IR-Plus metric

Model:

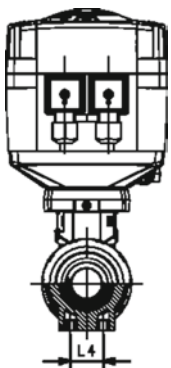
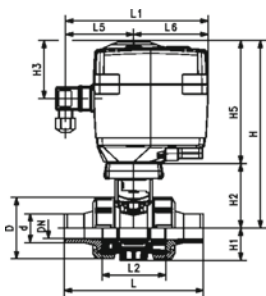
- Material: PVDF
- Voltage 100-230V, 50-60Hz
- Factory set control range 90°<
- Heating element, position feedback (Open/Close/ Middle)
- Integrated stainless steel mounting inserts

Option:

- Other valve and actuator configurations available
- Optional accessories: Fail-safe return unit, Monitoring board, Position controller, Profibus DP board



DN65-100



d (mm)	DN (mm)	PN (bar)	kv-value ($\Delta p=1$ bar) (l/min)	SDR	EA	FKM Code	Weight (kg)
20	15	10	185	11	EA25	199 181 113	2.100
25	20	10	350	11	EA25	199 181 114	2.200
32	25	10	700	11	EA25	199 181 115	2.300
40	32	10	1000	11	EA25	199 181 116	2.600
50	40	10	1600	11	EA25	199 181 117	3.000
63	50	10	3100	11	EA25	199 181 118	3.800
75	65	10	5000		EA45	199 181 119	9.100
90	80	10	7000		EA120	199 181 120	12.200
110	100	10	11000		EA120	199 181 121	17.500

d (mm)	D (mm)	H (mm)	H1 (mm)	H2 (mm)	H3 (mm)	H4 (mm)	H5 (mm)	L (mm)	L1 (mm)	L2 (mm)	L4 (mm)	L5 (mm)	L6 (mm)	L7 (mm)	M
20	50	227	27	60	94	12	167	120	180	56	25	97	83	122	M6
25	58	231	30	64	94	12	167	139	180	65	25	97	83	122	M6
32	68	237	36	70	94	12	167	150	180	71	25	97	83	122	M6
40	84	243	44	76	94	12	167	170	180	85	45	97	83	122	M6
50	97	249	51	82	94	15	167	189	180	89	45	97	83	122	M8
63	124	264	64	97	94	15	167	219	108	101	45	97	83	122	M8
75	166	323	85	156	94	15	190		180	136	70	98	82	122	M8
90	200	335	105	168	94	15	190		180	141	70	98	82	122	M8
110	238	342	123	175	94	22	190		180	164	120	98	82	122	M12

d (mm)	e (mm)
20	1.9
25	1.9
32	2.4
40	2.4
50	3.0
63	3.0
75	3.6
90	4.3
110	5.3



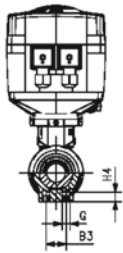
SYGEF Standard Ball valve type 127
100-230V
With manual emergency override
With fusion sockets PVDF ISO

Model:

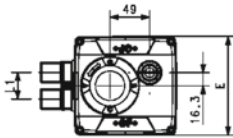
- IP68 Rating
- Factory set control range 90°<
- Heating element, position feedback (Open/Close)
- Integrated stainless steel mounting inserts

Option:

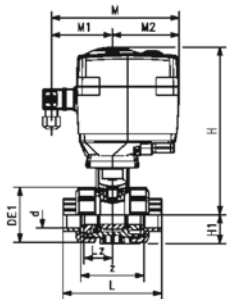
- Other valve and actuator configurations available
- Optional accessories: Fail-safe return unit



d (mm)	DN (mm)	Size (inch)	PN (bar)	kv-value (Δp=1 bar) (l/min)	FKM Code	Weight (kg)
16	10	3/8	10	70	199 127 802	2.100
20	15	1/2	10	185	199 127 803	2.100
25	20	3/4	10	350	199 127 804	2.200
32	25	1	10	700	199 127 805	2.300
40	32	1 1/4	10	1000	199 127 806	2.600
50	40	1 1/2	10	1600	199 127 807	3.000
63	50	2	10	3100	199 127 808	3.800



d (mm)	Actuator	B3 (mm)	DE1 (mm)	E (mm)	G (mm)	H (mm)	H1 (mm)	H4 (mm)	L (mm)	L1 (mm)	Lz (mm)	M (mm)	M1 (mm)	M2 (mm)	z (mm)
16	EA15	25	50	122	M6	197	27	12	93	33	28	161	77	83	67
20	EA15	25	50	122	M6	197	27	12	95	33	28	161	77	83	66
25	EA15	25	58	122	M6	201	30	12	109	33	33	161	77	83	77
32	EA15	25	68	122	M6	207	36	12	119	33	36	161	77	83	83
40	EA15	45	84	122	M8	213	44	15	135	33	43	161	77	83	99
50	EA15	45	97	122	M8	219	51	15	147	33	45	161	77	83	105
63	EA15	45	124	122	M8	234	64	15	168	33	51	161	77	83	117





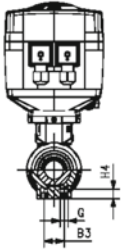
**SYGEF Standard Ball valve type 127
24V**
With manual emergency override
With fusion sockets PVDF ISO

Model:

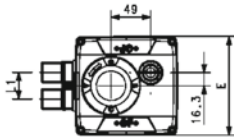
- IP68 Rating
- Factory set control range 90°<
- Heating element, position feedback (Open/Close)
- Integrated stainless steel mounting inserts

Option:

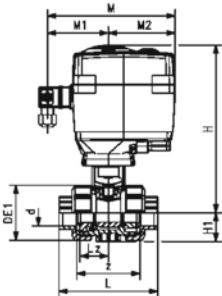
- Other valve and actuator configurations available
- Optional accessories: Fail-safe return unit



d (mm)	DN (mm)	Size (inch)	PN (bar)	kv-value ($\Delta p=1$ bar) (l/min)	FKM Code	Weight (kg)
16	10	3/8	10	70	199 127 822	2.100
20	15	1/2	10	185	199 127 823	2.100
25	20	3/4	10	350	199 127 824	2.200
32	25	1	10	700	199 127 825	2.414
40	32	1 1/4	10	1000	199 127 826	2.600
50	40	1 1/2	10	1600	199 127 827	2.995
63	50	2	10	3100	199 127 828	3.800



d (mm)	Actuator	B3 (mm)	DE1 (mm)	E (mm)	G (mm)	H (mm)	H1 (mm)	H4 (mm)	L (mm)	L1 (mm)	Lz (mm)	M (mm)	M1 (mm)	M2 (mm)	z (mm)
16	EA15	25	50	122	M6	197	27	12	93	33	28	161	77	83	67
20	EA15	25	50	122	M6	197	27	12	95	33	28	161	77	83	66
25	EA15	25	58	122	M6	201	30	12	109	33	33	161	77	83	77
32	EA15	25	68	122	M6	207	36	12	119	33	36	161	77	83	83
40	EA15	45	84	122	M8	213	44	15	135	33	43	161	77	83	99
50	EA15	45	97	122	M8	219	51	15	147	33	45	161	77	83	105
63	EA15	45	124	122	M8	234	64	15	168	33	51	161	77	83	117





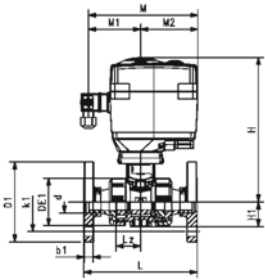
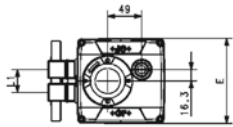
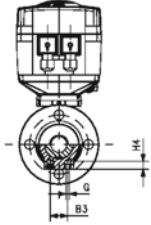
SYGEF Standard Ball valve type 127
100-230V
With manual emergency override
With fixed flanges PVDF ISO

Model:

- IP68 Rating
- Factory set control range 90°<
- Heating element, position feedback (Open/Close)
- Integrated stainless steel mounting inserts

Option:

- Other valve and actuator configurations available
- Optional accessories: Fail-safe return unit



d (mm)	DN (mm)	Size (inch)	PN (bar)	kv-value ($\Delta p=1$ bar) (l/min)	FKM Code	Weight (kg)
20	15	½	10	185	199 127 843	2.300
25	20	¾	10	350	199 127 844	2.500
32	25	1	10	700	199 127 845	2.700
40	32	1 ¼	10	1000	199 127 846	3.200
50	40	1 ½	10	1600	199 127 847	3.700
63	50	2	10	3100	199 127 848	4.800

d (mm)	Actuator	b1 (mm)	B3 (mm)	D1 (mm)	DE1 (mm)	E (mm)	G (mm)	H (mm)	H1 (mm)	H4 (mm)	k1 (mm)	L (mm)	L1 (mm)	Lz (mm)	M (mm)
20	EA15	12	25	95	50	122	M6	197	27	12	56	130	33	28	161
25	EA15	12	25	105	58	122	M6	201	30	12	75	150	33	33	161
32	EA15	14	25	115	68	122	M6	207	36	12	85	160	33	36	161
40	EA15	16	45	140	84	122	M8	213	44	15	100	180	33	43	161
50	EA15	16	45	150	97	122	M8	219	51	15	110	200	33	45	161
63	EA15	18	45	165	124	122	M8	234	64	15	125	230	33	51	161

d (mm)	M1 (mm)	M2 (mm)
20	77	83
25	77	83
32	77	83
40	77	83
50	77	83
63	77	83



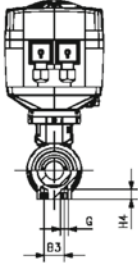
SYGEF Standard Ball valve type 127
100-230V
With manual emergency override
With socket fusion spigots PVDF ISO

Model:

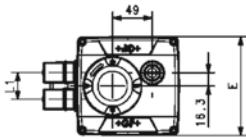
- IP68 Rating
- Factory set control range 90°<-)
- Heating element, position feedback (Open/Close)
- Integrated stainless steel mounting inserts

Option:

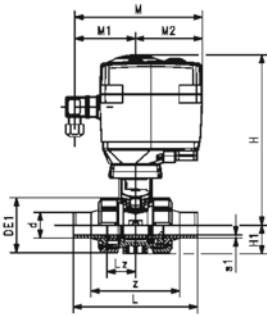
- Other valve and actuator configurations available
- Optional accessories: Fail-safe return unit



d (mm)	DN (mm)	Size (inch)	PN (bar)	kv-value ($\Delta p=1$ bar) (l/min)	FKM Code	Weight (kg)
16	10	3/8	10	70	199 127 812	2.100
20	15	1/2	10	185	199 127 813	2.100
25	20	3/4	10	350	199 127 814	2.200
32	25	1	10	700	199 127 815	2.300
40	32	1 1/4	10	1000	199 127 816	2.600
50	40	1 1/2	10	1600	199 127 817	3.000
63	50	2	10	3100	199 127 818	3.800



d (mm)	Actuator	B3 (mm)	DE1 (mm)	E (mm)	G (mm)	H (mm)	H1 (mm)	H4 (mm)	L (mm)	L1 (mm)	Lz (mm)	M (mm)	M1 (mm)	M2 (mm)	s1 (mm)
16	EA15	25	50	122	M6	197	27	12	110	33	28	161	77	83	3.0
20	EA15	25	50	122	M6	197	27	12	120	33	28	161	77	83	3.0
25	EA15	25	58	122	M6	201	30	12	139	33	33	161	77	83	3.0
32	EA15	25	68	122	M6	207	36	12	150	33	36	161	77	83	4.0
40	EA15	45	84	122	M8	213	44	15	170	33	43	161	77	83	4.5
50	EA15	45	97	122	M8	219	51	15	190	33	45	161	77	83	5.5
63	EA15	45	124	122	M8	234	64	15	220	33	51	161	77	83	7.0



d (mm)	z (mm)
16	84
20	92
25	107
32	114
40	130
50	144
63	166



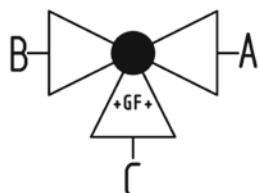
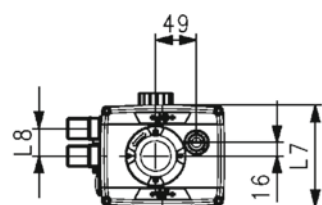
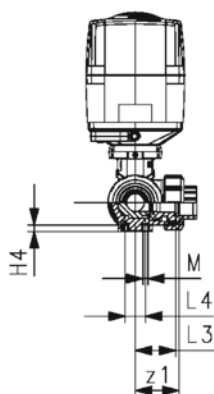
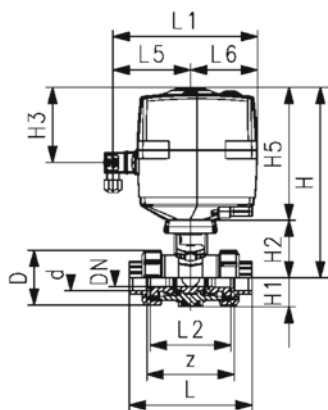
SYGEF Standard 3-Way ball valve type 543 Pro
Horizontal/L-port 100-230V
With manual emergency override
With fusion sockets metric

Model:

- Material: PVDF
- Voltage 100-230V, 50-60Hz
- Factory set control range 90°<
- Basic position A-C opened, activated position B-C opened, see flow scheme
- Other positions possible by adjusting the limit switches
- Heating element, position feedback (Open/Close/ Middle)
- Integrated stainless steel mounting inserts

Option:

- Optional accessories: Fail-safe return unit, Monitoring board, Position controller, Profibus DP board



d (mm)	DN (mm)	Size (inch)	PN (bar)	kv-value (Δp=1 bar) (l/min)	EA	FKM Code	SP	Weight (kg)
16	10	3/8	10	50	EA25	199 169 092	1	2.190
20	15	1/2	10	75	EA25	199 169 093	1	2.198
25	20	3/4	10	150	EA25	199 169 094	1	2.356
32	25	1	10	280	EA25	199 169 095	1	2.600
40	32	1 1/4	10	480	EA25	199 169 096	1	3.131
50	40	1 1/2	10	620	EA25	199 169 097	1	3.710
63	50	2	10	1230	EA25	199 169 098	1	5.440

d (mm)	D (mm)	H (mm)	H1 (mm)	H2 (mm)	H3 (mm)	H5 (mm)	H6 (mm)	L (mm)	L1 (mm)	L2 (mm)	L3 (mm)	L4 (mm)	L5 (mm)	L6 (mm)	L7 (mm)
16	50	231	28	64	94	167	8	110	180	72	36	25	97	83	122
20	50	231	28	64	94	167	8	112	180	72	36	25	97	83	122
25	58	240	32	73	94	167	8	129	180	85	43	25	97	83	122
32	68	240	36	73	94	167	8	146	180	98	49	25	97	83	122
40	84	251	45	84	94	167	9	170	180	118	59	45	97	83	122
50	97	251	51	84	94	167	9	193	180	135	68	45	97	83	122
63	124	273	65	106	94	167	9	244	180	176	88	45	97	83	122

d (mm)	L8 (mm)	M	z (mm)	z1 (mm)	closest inch (inch)
16	33	6	82	41	3/8
20	33	6	82	41	1/2
25	33	6	97	49	3/4
32	33	6	110	55	1
40	33	8	132	66	1 1/4
50	33	8	151	76	1 1/2
63	33	8	188	94	2



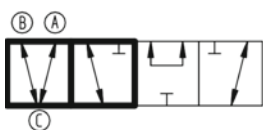
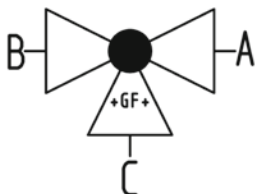
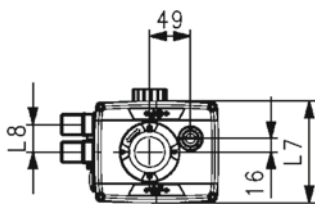
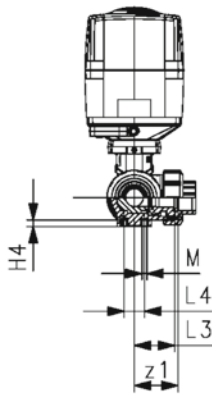
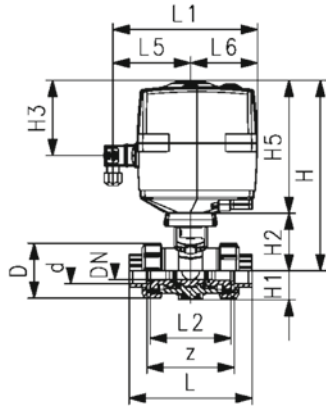
SYGEF Standard 3-Way ball valve type 543 Pro
Horizontal/T-port 100-230V
With manual emergency override
With fusion sockets metric

Model:

- Material: PVDF
- Voltage 100-230V, 50-60Hz
- Factory set control range 90°<
- Basic position A-B-C opened, activated position B-C opened, see flow scheme
- Other positions possible by adjusting the limit switches
- Heating element, position feedback (Open/Close/ Middle)
- Integrated stainless steel mounting inserts

Option:

- Optional accessories: Fail-safe return unit, Monitoring board, Position controller, Profibus DP board



d (mm)	DN (mm)	Size (inch)	PN (bar)	kv-value (Δp=1 bar) (l/min)	EA	FKM Code	SP	Weight (kg)
16	10	3/8	10	140	EA25	199 169 112	1	2.189
20	15	1/2	10	200	EA25	199 169 113	1	2.196
25	20	3/4	10	470	EA25	199 169 114	1	2.354
32	25	1	10	793	EA25	199 169 115	1	2.591
40	32	1 1/4	10	1290	EA25	199 169 116	1	3.117
50	40	1 1/2	10	1910	EA25	199 169 117	1	3.683
63	50	2	10	3100	EA25	199 169 118	1	5.383

d (mm)	D (mm)	H (mm)	H1 (mm)	H2 (mm)	H3 (mm)	H5 (mm)	H6 (mm)	L (mm)	L1 (mm)	L2 (mm)	L3 (mm)	L4 (mm)	L5 (mm)	L6 (mm)	L7 (mm)
16	50	231	28	64	94	167	8	110	180	72	36	25	97	83	122
20	50	231	28	64	94	167	8	112	180	72	36	25	97	83	122
25	58	240	32	73	94	167	8	129	180	85	43	25	97	83	122
32	68	240	36	73	94	167	8	146	180	98	49	25	97	83	122
40	84	251	45	84	94	167	9	170	180	118	59	45	97	83	122
50	97	251	51	84	94	167	9	193	180	135	68	45	97	83	122
63	124	273	65	106	94	167	9	244	180	176	88	45	97	83	122

d (mm)	L8 (mm)	M	z (mm)	z1 (mm)	closest inch (inch)
16	33	6	82	41	3/8
20	33	6	82	41	1/2
25	33	6	97	49	3/4
32	33	6	110	55	1
40	33	8	132	66	1 1/4
50	33	8	151	76	1 1/2
63	33	8	188	94	2



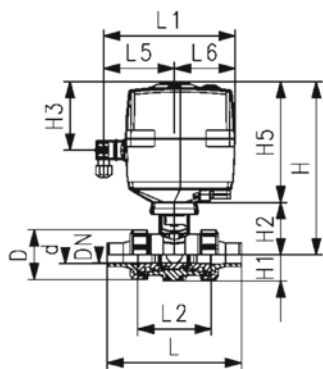
SYGEF Standard 3-Way ball valve type 543 Pro
Horizontal/L-port 24V
With manual emergency override
With socket fusion spigots metric

Model:

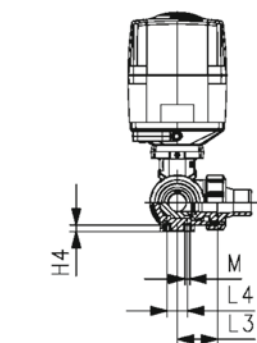
- Material: PVDF
- Voltage 24V AC/DC
- Factory set control range 90°<
- Basic position A-C opened, activated position B-C opened, see flow scheme
- Other positions possible by adjusting the limit switches
- Heating element, position feedback (Open/Close/ Middle)
- Integrated stainless steel mounting inserts

Option:

- Optional accessories: Fail-safe return unit, Monitoring board, Position controller, Profibus DP board

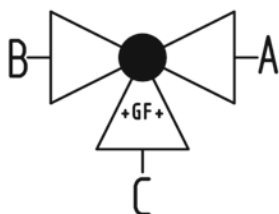
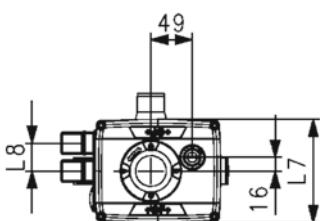


d (mm)	DN (mm)	Size (inch)	PN (bar)	kv-value (Δp=1 bar) (l/min)	EA	FKM Code	SP	Weight (kg)
16	10	3/8	10	50	EA25	199 169 132	1	2.198
20	15	1/2	10	75	EA25	199 169 133	1	2.209
25	20	3/4	10	150	EA25	199 169 134	1	2.376
32	25	1	10	280	EA25	199 169 135	1	2.630
40	32	1 1/4	10	480	EA25	199 169 136	1	3.158
50	40	1 1/2	10	620	EA25	199 169 137	1	3.791
63	50	2	10	1230	EA25	199 169 138	1	5.602



d (mm)	D (mm)	H (mm)	H1 (mm)	H2 (mm)	H3 (mm)	H5 (mm)	H6 (mm)	L (mm)	L1 (mm)	L2 (mm)	L3 (mm)	L4 (mm)	L5 (mm)	L6 (mm)	L7 (mm)
16	50	231	28	64	94	167	8	126	180	72	36	25	97	83	122
20	50	231	28	64	94	167	8	136	180	72	36	25	97	83	122
25	58	240	32	73	94	167	8	159	180	85	43	25	97	83	122
32	68	240	36	73	94	167	8	178	180	98	49	25	97	83	122
40	84	251	45	84	94	167	9	204	180	118	59	45	97	83	122
50	97	251	51	84	94	167	9	237	180	135	68	45	97	83	122
63	124	273	65	106	94	167	9	296	180	176	88	45	97	83	122

d (mm)	L8 (mm)	M	closest inch (inch)
16	33	6	3/8
20	33	6	1/2
25	33	6	3/4
32	33	6	1
40	33	8	1 1/4
50	33	8	1 1/2
63	33	8	2





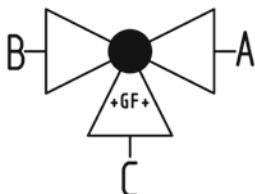
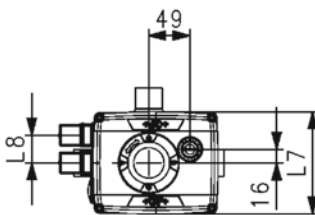
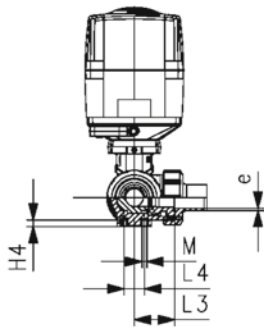
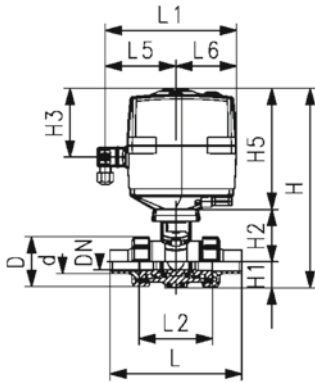
SYGEF Standard 3-Way ball valve type 543 Pro
Horizontal/L-port 24V
With manual emergency override
With butt fusion spigots IR-Plus metric

Model:

- Material: PVDF
- Voltage 24V AC/DC
- Factory set control range 90°<
- Basic position A-C opened, activated position B-C opened, see flow scheme
- Other positions possible by adjusting the limit switches
- Heating element, position feedback (Open/Close/ Middle)
- Integrated stainless steel mounting inserts

Option:

- Optional accessories: Fail-safe return unit, Monitoring board, Position controller, Profibus DP board



d (mm)	DN (mm)	Size (inch)	PN (bar)	kv-value (Δp=1 bar) (l/min)	EA	FKM Code	SP	Weight (kg)
20	15	½	10	75	EA25	199 169 173	1	2.209
25	20	¾	10	150	EA25	199 169 174	1	2.376
32	25	1	10	280	EA25	199 169 175	1	2.630
40	32	1 ¼	10	480	EA25	199 169 176	1	3.158
50	40	1 ½	10	620	EA25	199 169 177	1	3.791
63	50	2	10	1230	EA25	199 169 178	1	5.602

d (mm)	D (mm)	H (mm)	H1 (mm)	H2 (mm)	H3 (mm)	H5 (mm)	H6 (mm)	L (mm)	L1 (mm)	L2 (mm)	L3 (mm)	L4 (mm)	L5 (mm)	L6 (mm)	L7 (mm)
20	50	231	28	64	94	167	8	146	180	72	36	25	97	83	122
25	58	240	32	73	94	167	8	163	180	85	43	25	97	83	122
32	68	240	36	73	94	167	8	178	180	98	49	25	97	83	122
40	84	251	45	84	94	167	9	204	180	118	59	45	97	83	122
50	97	251	51	84	94	167	9	237	180	135	68	45	97	83	122
63	124	273	65	106	94	167	9	296	180	176	88	45	97	83	122

d (mm)	L8 (mm)	M	closest inch (inch)
20	33	6	½
25	33	6	¾
32	33	6	1
40	33	8	1 ¼
50	33	8	1 ½
63	33	8	2



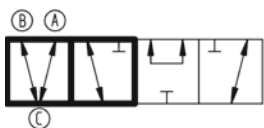
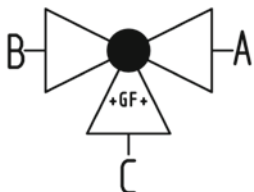
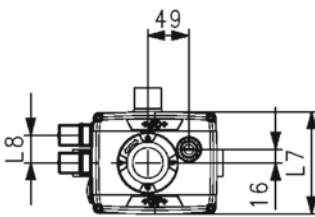
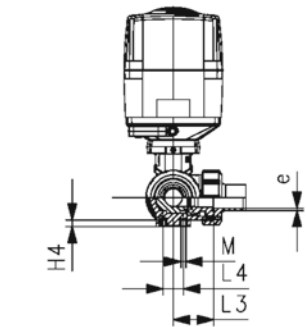
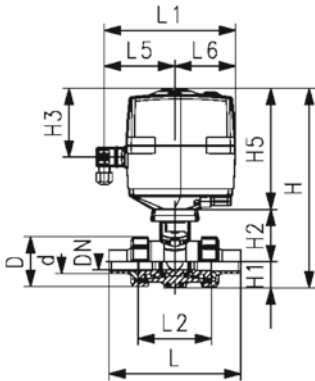
SYGEF Standard 3-Way ball valve type 543 Pro
Horizontal/T-port 24V
With manual emergency override
With butt fusion spigots IR-Plus metric

Model:

- Material: PVDF
- Voltage 24V AC/DC
- Factory set control range 90°<
- Basic position A-B-C opened, activated position B-C opened, see flow scheme
- Other positions possible by adjusting the limit switches
- Heating element, position feedback (Open/Close/ Middle)
- Integrated stainless steel mounting inserts

Option:

- Optional accessories: Fail-safe return unit, Monitoring board, Position controller, Profibus DP board



d (mm)	DN (mm)	Size (inch)	PN (bar)	kv-value (Δp=1 bar) (l/min)	EA	FKM Code	SP	Weight (kg)
20	15	½	10	200	EA25	199 169 193	1	2.208
25	20	¾	10	470	EA25	199 169 194	1	2.373
32	25	1	10	793	EA25	199 169 195	1	2.622
40	32	1 ¼	10	1290	EA25	199 169 196	1	3.144
50	40	1 ½	10	1910	EA25	199 169 197	1	3.764
63	50	2	10	3100	EA25	199 169 198	1	5.544

d (mm)	D (mm)	H (mm)	H1 (mm)	H2 (mm)	H3 (mm)	H5 (mm)	H6 (mm)	L (mm)	L1 (mm)	L2 (mm)	L3 (mm)	L4 (mm)	L5 (mm)	L6 (mm)	L7 (mm)
20	50	231	28	64	94	167	8	146	180	72	36	25	97	83	122
25	58	240	32	73	94	167	8	163	180	85	43	25	97	83	122
32	68	240	36	73	94	167	8	178	180	98	49	25	97	83	122
40	84	251	45	84	94	167	9	204	180	118	59	45	97	83	122
50	97	251	51	84	94	167	9	237	180	135	68	45	97	83	122
63	124	273	65	106	94	167	9	296	180	176	88	45	97	83	122

d (mm)	L8 (mm)	M	closest inch (inch)
20	33	6	½
25	33	6	¾
32	33	6	1
40	33	8	1 ¼
50	33	8	1 ½
63	33	8	2



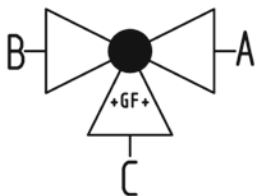
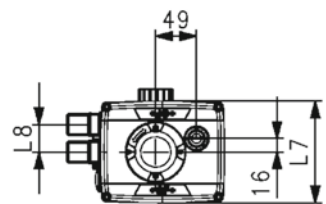
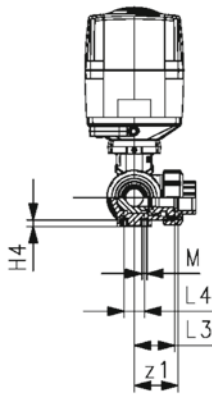
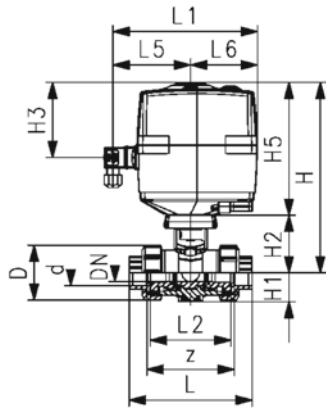
SYGEF Standard 3-Way ball valve type 543 Pro
Horizontal/L-port 24V
With manual emergency override
With fusion sockets metric

Model:

- Material: PVDF
- Voltage 24V AC/DC
- Factory set control range 90°<
- Basic position A-C opened, activated position B-C opened, see flow scheme
- Other positions possible by adjusting the limit switches
- Heating element, position feedback (Open/Close/ Middle)
- Integrated stainless steel mounting inserts

Option:

- Optional accessories: Fail-safe return unit, Monitoring board, Position controller, Profibus DP board



d (mm)	DN (mm)	Size (inch)	PN (bar)	kv-value (Δp=1 bar) (l/min)	EA	FKM Code	SP	Weight (kg)
16	10	3/8	10	50	EA25	199 169 212	1	2.190
20	15	1/2	10	75	EA25	199 169 213	1	2.198
25	20	3/4	10	150	EA25	199 169 214	1	2.356
32	25	1	10	280	EA25	199 169 215	1	2.600
40	32	1 1/4	10	480	EA25	199 169 216	1	3.131
50	40	1 1/2	10	620	EA25	199 169 217	1	3.710
63	50	2	10	1230	EA25	199 169 218	1	5.440

d (mm)	D (mm)	H (mm)	H1 (mm)	H2 (mm)	H3 (mm)	H5 (mm)	H6 (mm)	L (mm)	L1 (mm)	L2 (mm)	L3 (mm)	L4 (mm)	L5 (mm)	L6 (mm)	L7 (mm)
16	50	231	28	64	94	167	8	110	180	72	36	25	97	83	122
20	50	231	28	64	94	167	8	112	180	72	36	25	97	83	122
25	58	240	32	73	94	167	8	129	180	85	43	25	97	83	122
32	68	240	36	73	94	167	8	146	180	98	49	25	97	83	122
40	84	251	45	84	94	167	9	170	180	118	59	45	97	83	122
50	97	251	51	84	94	167	9	193	180	135	68	45	97	83	122
63	124	273	65	106	94	167	9	244	180	176	88	45	97	83	122

d (mm)	L8 (mm)	M	z (mm)	z1 (mm)	closest inch (inch)
16	33	6	82	41	3/8
20	33	6	82	41	1/2
25	33	6	97	49	3/4
32	33	6	110	55	1
40	33	8	132	66	1 1/4
50	33	8	151	76	1 1/2
63	33	8	188	94	2



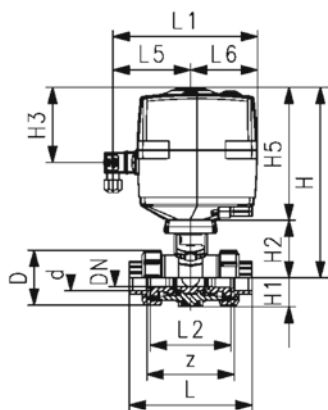
SYGEF Standard 3-Way ball valve type 543 Pro
Horizontal/T-port 24V
With manual emergency override
With fusion sockets metric

Model:

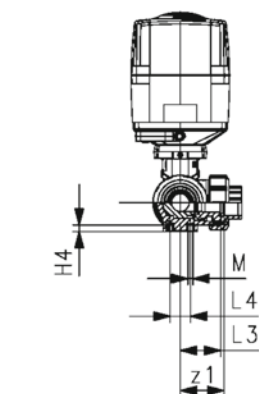
- Material: PVDF
- Voltage 24V AC/DC
- Factory set control range 90°<
- Basic position A-B-C opened, activated position B-C opened, see flow scheme
- Other positions possible by adjusting the limit switches
- Heating element, position feedback (Open/Close/ Middle)
- Integrated stainless steel mounting inserts

Option:

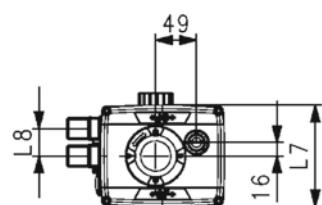
- Optional accessories: Fail-safe return unit, Monitoring board, Position controller, Profibus DP board



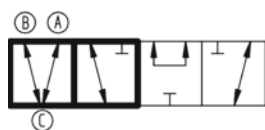
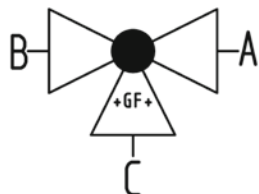
d (mm)	DN (mm)	Size (inch)	PN (bar)	kv-value (Δp=1 bar) (l/min)	EA	FKM Code	SP	Weight (kg)
16	10	3/8	10	140	EA25	199 169 232	1	2.189
20	15	1/2	10	200	EA25	199 169 233	1	2.196
25	20	3/4	10	470	EA25	199 169 234	1	2.354
32	25	1	10	793	EA25	199 169 235	1	2.591
40	32	1 1/4	10	1290	EA25	199 169 236	1	3.117
50	40	1 1/2	10	1910	EA25	199 169 237	1	3.683
63	50	2	10	3100	EA25	199 169 238	1	5.383



d (mm)	D (mm)	H (mm)	H1 (mm)	H2 (mm)	H3 (mm)	H5 (mm)	H6 (mm)	L (mm)	L1 (mm)	L2 (mm)	L3 (mm)	L4 (mm)	L5 (mm)	L6 (mm)	L7 (mm)
16	50	231	28	64	94	167	8	110	180	72	36	25	97	83	122
20	50	231	28	64	94	167	8	112	180	72	36	25	97	83	122
25	58	240	32	73	94	167	8	129	180	85	43	25	97	83	122
32	68	240	36	73	94	167	8	146	180	98	49	25	97	83	122
40	84	251	45	84	94	167	9	170	180	118	59	45	97	83	122
50	97	251	51	84	94	167	9	193	180	135	68	45	97	83	122
63	124	273	65	106	94	167	9	244	180	176	88	45	97	83	122



d (mm)	L8 (mm)	M	z (mm)	z1 (mm)	closest inch (inch)
16	33	6	82	41	3/8
20	33	6	82	41	1/2
25	33	6	97	49	3/4
32	33	6	110	55	1
40	33	8	132	66	1 1/4
50	33	8	151	76	1 1/2
63	33	8	188	94	2





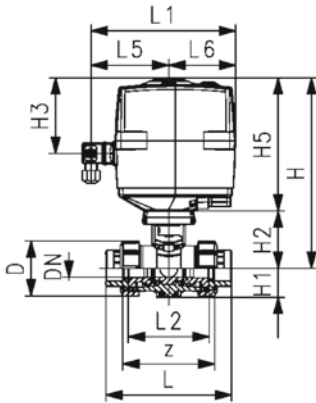
SYGEF Standard 3-Way ball valve type 543 Pro
Horizontal/L-port 100-230V
With manual emergency override
With threaded sockets NPT

Model:

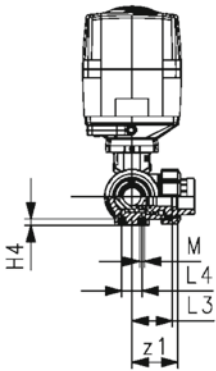
- Material: PVDF
- Voltage 100-230V, 50-60Hz
- Factory set control range 90°<
- Basic position A-C opened, activated position B-C opened, see flow scheme
- Other positions possible by adjusting the limit switches
- Heating element, position feedback (Open/Close/ Middle)
- Integrated stainless steel mounting inserts

Option:

- Optional accessories: Fail-safe return unit, Monitoring board, Position controller, Profibus DP board

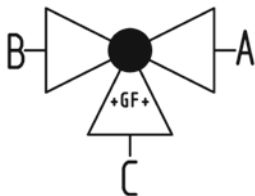
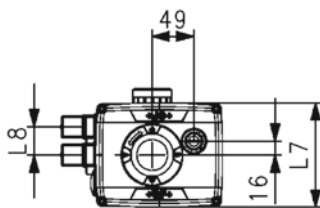


d (mm)	DN (mm)	Thread Type	Size (inch)	PN (bar)	kv-value (Δp=1 bar) (l/min)	EA	FKM Code	SP	Weight (kg)
16	10	NPT	3/8	10	50	EA25	199 169 242	1	2.190
20	15	NPT	1/2	10	75	EA25	199 169 243	1	2.198
25	20	NPT	3/4	10	150	EA25	199 169 244	1	2.356
32	25	NPT	1	10	280	EA25	199 169 245	1	2.600
40	32	NPT	1 1/4	10	480	EA25	199 169 246	1	3.131
50	40	NPT	1 1/2	10	620	EA25	199 169 247	1	3.710
63	50	NPT	2	10	1230	EA25	199 169 248	1	5.440



D (mm)	H (mm)	H1 (mm)	H2 (mm)	H3 (mm)	H5 (mm)	H6 (mm)	L (mm)	L1 (mm)	L2 (mm)	L3 (mm)	L4 (mm)	L5 (mm)	L6 (mm)	L7 (mm)	L8 (mm)
50	231	28	64	94	167	8	112	180	72	36	25	97	83	122	33
50	231	28	64	94	167	8	114	180	72	36	25	97	83	122	33
58	240	32	73	94	167	8	131	180	85	43	25	97	83	122	33
68	240	36	73	94	167	8	154	180	98	49	25	97	83	122	33
84	251	45	84	94	167	9	180	180	118	59	45	97	83	122	33
97	251	51	84	94	167	9	203	180	135	68	45	97	83	122	33
124	273	65	106	94	167	9	258	180	176	88	45	97	83	122	33

M (mm)	z (mm)	z1 (mm)
6	86	43
6	80	40
6	95	48
6	110	55
8	132	66
8	157	79
8	210	105





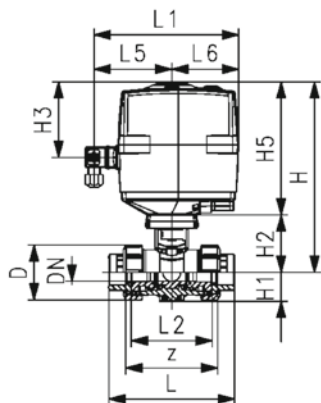
SYGEF Standard 3-Way ball valve type 543 Pro
Horizontal/T-port 100-230V
With manual emergency override
With threaded sockets NPT

Model:

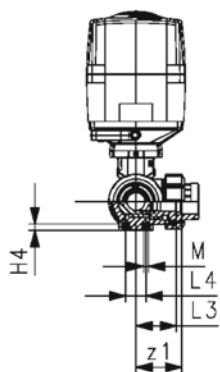
- Material: PVDF
- Voltage 100-230V, 50-60Hz
- Factory set control range 90°<
- Basic position A-B-C opened, activated position B-C opened, see flow scheme
- Other positions possible by adjusting the limit switches
- Heating element, position feedback (Open/Close/ Middle)
- Integrated stainless steel mounting inserts

Option:

- Optional accessories: Fail-safe return unit, Monitoring board, Position controller, Profibus DP board

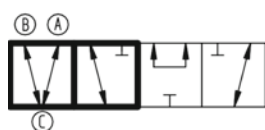
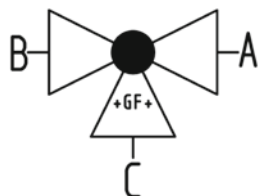
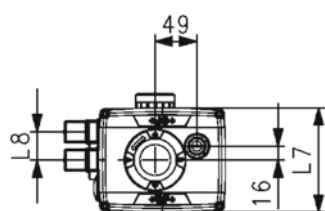


d (mm)	DN (mm)	Thread Type	Size (inch)	PN (bar)	kv-value (Δp=1 bar) (l/min)	EA	FKM Code	SP	Weight (kg)
16	10	NPT	3/8	10	140	EA25	199 169 252	1	2.189
20	15	NPT	1/2	10	200	EA25	199 169 253	1	2.196
25	20	NPT	3/4	10	470	EA25	199 169 254	1	2.354
32	25	NPT	1	10	793	EA25	199 169 255	1	2.591
40	32	NPT	1 1/4	10	1290	EA25	199 169 256	1	3.117
50	40	NPT	1 1/2	10	1910	EA25	199 169 257	1	3.683
63	50	NPT	2	10	3100	EA25	199 169 258	1	5.383



D (mm)	H (mm)	H1 (mm)	H2 (mm)	H3 (mm)	H5 (mm)	H6 (mm)	L (mm)	L1 (mm)	L2 (mm)	L3 (mm)	L4 (mm)	L5 (mm)	L6 (mm)	L7 (mm)	L8 (mm)
50	231	28	64	94	167	8	112	180	72	36	25	97	83	122	33
50	231	28	64	94	167	8	114	180	72	36	25	97	83	122	33
58	240	32	73	94	167	8	131	180	85	43	25	97	83	122	33
68	240	36	73	94	167	8	154	180	98	49	25	97	83	122	33
84	251	45	84	94	167	9	180	180	118	59	45	97	83	122	33
97	251	51	84	94	167	9	203	180	135	68	45	97	83	122	33
124	273	65	106	94	167	9	258	180	176	88	45	97	83	122	33

M (mm)	z (mm)	z1 (mm)
6	86	43
6	80	40
6	95	48
6	110	55
8	132	66
8	157	79
8	210	105





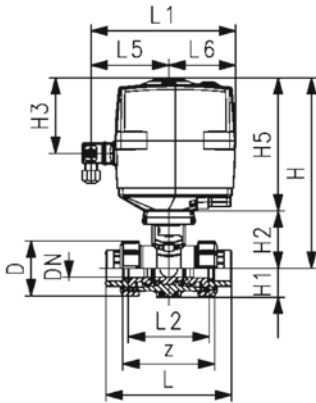
SYGEF Standard 3-Way ball valve type 543 Pro
Horizontal/L-port 24V
With manual emergency override
With threaded sockets NPT

Model:

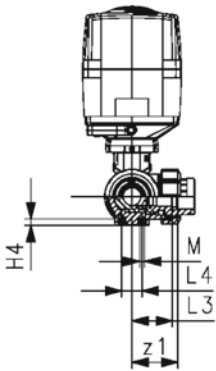
- Material: PVDF
- Voltage 24V AC/DC
- Factory set control range 90°<
- Basic position A-C opened, activated position B-C opened, see flow scheme
- Other positions possible by adjusting the limit switches
- Heating element, position feedback (Open/Close/ Middle)
- Integrated stainless steel mounting inserts

Option:

- Optional accessories: Fail-safe return unit, Monitoring board, Position controller, Profibus DP board

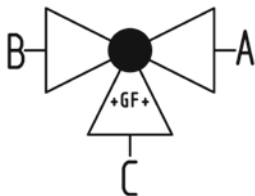
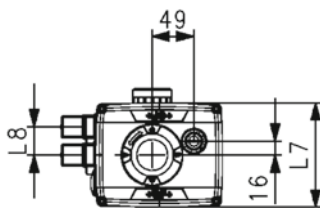


d (mm)	DN (mm)	Thread Type	Size (inch)	PN (bar)	kv-value ($\Delta p=1$ bar) (l/min)	EA	FKM Code	SP	Weight (kg)
16	10	NPT	3/8	10	50	EA25	199 169 262	1	2.190
20	15	NPT	1/2	10	75	EA25	199 169 263	1	2.198
25	20	NPT	3/4	10	150	EA25	199 169 264	1	2.356
32	25	NPT	1	10	280	EA25	199 169 265	1	2.600
40	32	NPT	1 1/4	10	480	EA25	199 169 266	1	3.131
50	40	NPT	1 1/2	10	620	EA25	199 169 267	1	3.710
63	50	NPT	2	10	1230	EA25	199 169 268	1	5.440



D (mm)	H (mm)	H1 (mm)	H2 (mm)	H3 (mm)	H5 (mm)	H6 (mm)	L (mm)	L1 (mm)	L2 (mm)	L3 (mm)	L4 (mm)	L5 (mm)	L6 (mm)	L7 (mm)	L8 (mm)
50	231	28	64	94	167	8	112	180	72	36	25	97	83	122	33
50	231	28	64	94	167	8	114	180	72	36	25	97	83	122	33
58	240	32	73	94	167	8	131	180	85	43	25	97	83	122	33
68	240	36	73	94	167	8	154	180	98	49	25	97	83	122	33
84	251	45	84	94	167	9	180	180	118	59	45	97	83	122	33
97	251	51	84	94	167	9	203	180	135	68	45	97	83	122	33
124	273	65	106	94	167	9	258	180	176	88	45	97	83	122	33

M (mm)	z (mm)	z1 (mm)
6	86	43
6	80	40
6	95	48
6	110	55
8	132	66
8	157	79
8	210	105





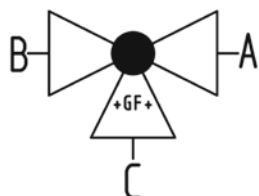
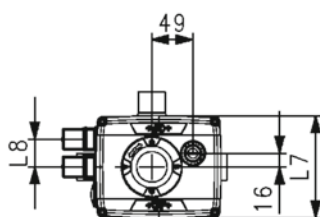
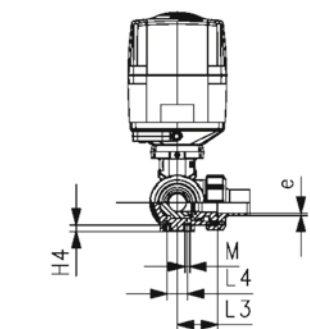
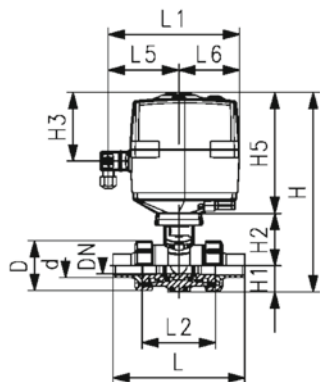
SYGEF Standard 3-Way ball valve type 543 Pro
Horizontal/L-port 100-230V
With manual emergency override
With butt fusion spigots IR-Plus metric

Model:

- Material: PVDF
- Voltage 100-230V, 50-60Hz
- Factory set control range 90°<
- Basic position A-C opened, activated position B-C opened, see flow scheme
- Other positions possible by adjusting the limit switches
- Heating element, position feedback (Open/Close/ Middle)
- Integrated stainless steel mounting inserts

Option:

- Optional accessories: Fail-safe return unit, Monitoring board, Position controller, Profibus DP board



d (mm)	DN (mm)	Size (inch)	PN (bar)	kv-value (Δp=1 bar) (l/min)	EA	FKM Code	SP	Weight (kg)
20	15	½	10	75	EA25	199 169 053	1	2.209
25	20	¾	10	150	EA25	199 169 054	1	2.376
32	25	1	10	280	EA25	199 169 055	1	2.630
40	32	1 ¼	10	480	EA25	199 169 056	1	3.158
50	40	1 ½	10	620	EA25	199 169 057	1	3.791
63	50	2	10	1230	EA25	199 169 058	1	5.602

d (mm)	D (mm)	H (mm)	H1 (mm)	H2 (mm)	H3 (mm)	H5 (mm)	H6 (mm)	L (mm)	L1 (mm)	L2 (mm)	L3 (mm)	L4 (mm)	L5 (mm)	L6 (mm)	L7 (mm)
20	50	231	28	64	94	167	8	146	180	72	36	25	97	83	122
25	58	240	32	73	94	167	8	163	180	85	43	25	97	83	122
32	68	240	36	73	94	167	8	178	180	98	49	25	97	83	122
40	84	251	45	84	94	167	9	204	180	118	59	45	97	83	122
50	97	251	51	84	94	167	9	237	180	135	68	45	97	83	122
63	124	273	65	106	94	167	9	296	180	176	88	45	97	83	122

d (mm)	L8 (mm)	M	closest inch (inch)
20	33	6	½
25	33	6	¾
32	33	6	1
40	33	8	1 ¼
50	33	8	1 ½
63	33	8	2

Ball valves pneumatic



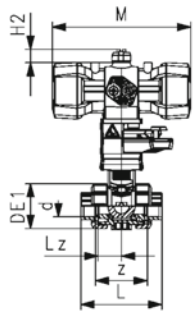
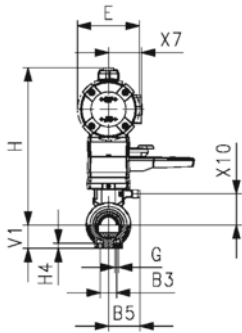
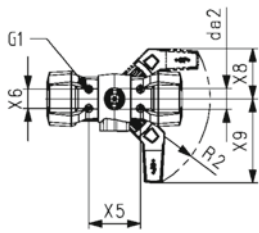
**SYGEF Standard PVDF Ball valve type 546 Pro with PPA
FC (Fail Safe to Close)
With fusion sockets PVDF ISO
With manual override**

Model:

- Control pressure supply through integrated NAMUR interface according VDI/VDE 3845
- Full plastic solution (actuator housing made of PP-GF)
- Visual position indicator
- Integrated stainless steel mounting inserts
- z-dimension, valve end and union nut are compatible with type 546 (1st Generation)

Option:

- Position feedback through double sensor with LED (PNP, NPN and NAMUR)
- Positioner RPC, RPC D, RPC PID
- Individual configuration of valves possible



d (mm)	DN (mm)	Size (inch)	PN (bar)	kv-value (Δp=1 bar) (l/min)	FKM Code	SP	Weight (kg)
16	10	3/8	10	75	199 252 012	1	1.500
20	15	1/2	10	185	199 252 013	1	1.500
25	20	3/4	10	350	199 252 014	1	1.600
32	25	1	10	700	199 252 015	1	1.700
40	32	1 1/4	10	1000	199 252 016	1	2.800
50	40	1 1/2	10	1600	199 252 017	1	3.100
63	50	2	10	3100	199 252 018	1	4.000

d (mm)	Actuator	B3 (mm)	B5 (mm)	da2 (mm)	DE1 (mm)	E (mm)	G (mm)	G1 (mm)	H (mm)	H2 (mm)	H4 (mm)	L (mm)	Lz (mm)	M (mm)	R2
16	PPA08	25	16.2	33	50	74	M6	M5	215	20	12	93	28	159	R150
20	PPA08	25	16.2	33	50	74	M6	M5	215	20	12	95	28	159	R150
25	PPA08	25	17.5	33	58	74	M6	M5	219	20	12	109	28	159	R150
32	PPA15	25	17.5	33	68	94	M6	M5	238	20	12	119	33	211	R150
40	PPA15	45	23.3	33	84	94	M8	M5	244	20	15	135	36	211	R150
50	PPA40	45	23.3	33	97	120	M8	M5	273	20	15	147	43	246	R150
63	PPA40	45	24.3	33	124	120	M8	M5	288	20	15	168	51	246	R150

d (mm)	V1 (mm)	X5 (mm)	X6 (mm)	X7 (mm)	X8 (mm)	X9 (mm)	X10 (mm)	z (mm)
16	27	80	30	43	78	132	38.00	67
20	27	80	30	43	78	132	38.00	66
25	30	80	30	43	78	132	41.90	77
32	36	80	30	51	78	132	47.00	83
40	44	80	30	51	78	132	53.50	99
50	51	80	30	62	78	132	62.75	105
63	64	80	30	62	78	132	77.00	117



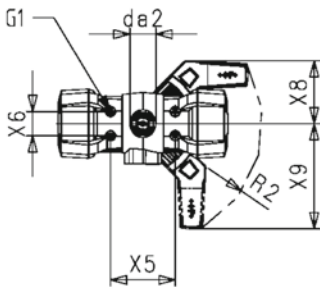
**SYGEF Standard PVDF Ball valve type 546 Pro with PPA
FO (Fail safe to open)
With manual override
With threaded sockets NPT**

Model:

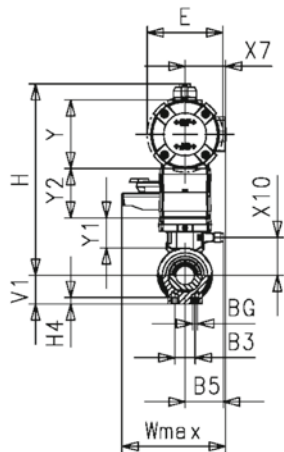
- Control pressure supply through integrated NAMUR interface according VDI/VDE 3845 with 5.6 bar (81.2 psi)
- Control time 90°<) 1-2s
- For easy installation and removal
- Integrated stainless steel mounting inserts
- Full plastic solution (actuator housing made of PP-GF)
- Visual position indicator
- Z-dimension, valve end and union nut are compatible with type 230 – 235 and 546 (1st Generation)

Option:

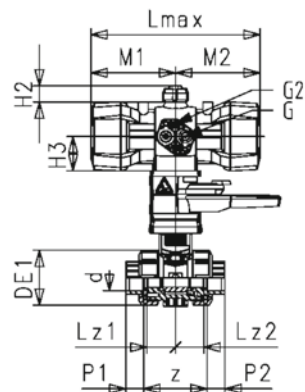
- Position feedback sensor, incl. LED feedback (DN10-50) - PNP, NPN and NAMUR
- Positioner RPC, RPC D, RPC PID
- Individual configuration of the valve



d (mm)	DN (mm)	PN (bar)	kv-value ($\Delta p=1$ bar) (l/min)	FKM Code	SP	Weight (kg)
16	10	10	75	199 252 532	1	1.500
20	15	10	185	199 252 533	0	1.500
25	20	10	350	199 252 534	0	1.600
32	25	10	700	199 252 535	0	1.700
40	32	10	1000	199 252 536	0	2.800
50	40	10	1600	199 252 537	0	3.100
63	50	10	3100	199 252 538	0	4.000



d (mm)	Actuator	DE1 (mm)	V1 (mm)	H4 (mm)	M1 (mm)	M2 (mm)	G2 (mm)	G (mm)	H3 (mm)	Lz1 (mm)	Lz2 (mm)	Lmax (mm)	E (mm)	Y1 (mm)
16	PPA08	50	27	12	80	80	M5	G 1/4	41	28	28	159	74	35
20	PPA08	50	27	12	80	80	M5	G 1/4	41	28	28	159	74	35
25	PPA08	58	30	12	80	80	M5	G 1/4	41	33	33	159	74	35
32	PPA15	68	36	12	106	106	M5	G 1/4	45	36	36	211	94	35
40	PPA15	84	44	15	106	106	M5	G 1/4	45	43	43	211	94	33
50	PPA40	97	51	15	123	123	M5	G 1/4	56	45	45	246	120	33
63	PPA40	124	64	15	123	123	M5	G 1/4	56	51	51	246	120	36



d (mm)	Y (mm)	Y2 (mm)	H (mm)	X10 (mm)	B3 (mm)	BG (mm)	Wmax (mm)	G1 (mm)	da2 (mm)	X6 (mm)	X5 (mm)	X8 (mm)	X9 (mm)	R2 (mm)	X7 (mm)
16	75	60	215	35	25	M6	210	M5	33	30	80	78	132	R150	43
20	75	60	215	35	25	M6	210	M5	33	30	80	78	132	R150	43
25	75	60	219	35	25	M6	210	M5	33	30	80	78	132	R150	43
32	88	60	238	35	25	M6	210	M5	33	30	80	78	132	R150	51
40	88	60	244	33	45	M8	210	M5	33	30	80	78	132	R150	51
50	111	60	273	33	45	M8	210	M5	33	30	80	78	132	R150	62
63	111	60	288	36	45	M8	210	M5	33	30	80	78	132	R150	62

d (mm)	H2 (mm)	P1 (mm)	P2 (mm)	z (mm)
16	20	13	13	67
20	20	14	14	67
25	20	16	16	76
32	20	18	18	82
40	20	20	20	96
50	20	23	23	101
63	20	27	27	114



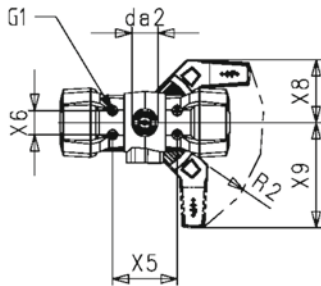
**SYGEF Standard Ball valve type 546 Pro with PPA
DA (Double acting)
With manual override
With threaded sockets NPT**

Model:

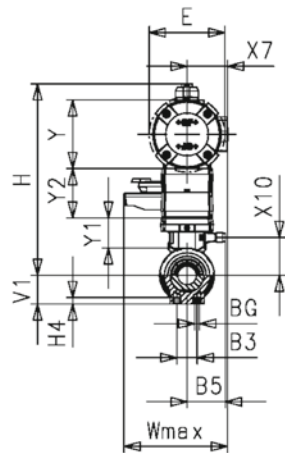
- Control pressure supply through integrated NAMUR interface according VDI/VDE 3845 with 5.6 bar (81.2 psi)
- Control time 90° < 1-2s
- For easy installation and removal
- Integrated stainless steel mounting inserts
- Full plastic solution (actuator housing made of PP-GF)
- Visual position indicator
- Z-dimension, valve end and union nut are compatible with type 230 – 235 and 546 (1st Generation)

Option:

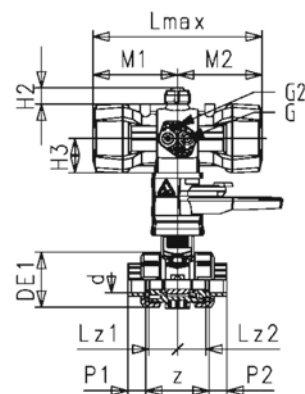
- Position feedback sensor, incl. LED feedback (DN10-50) - PNP, NPN and NAMUR
- Positioner RPC, RPC D, RPC PID
- Individual configuration of the valve



d (mm)	DN (mm)	PN (bar)	kv-value (Δp=1 bar) (l/min)	FKM Code	SP	Weight (kg)
16	10	10	70	199 252 552	0	1.500
20	15	10	185	199 252 553	0	1.500
25	20	10	350	199 252 554	0	1.600
32	25	10	700	199 252 555	0	1.700
40	32	10	1000	199 252 556	0	2.800
50	40	10	1600	199 252 557	0	3.100
63	50	10	3100	199 252 558	0	4.000



d (mm)	Actuator	DE1 (mm)	V1 (mm)	H4 (mm)	M1 (mm)	M2 (mm)	G2 (mm)	G (mm)	H3 (mm)	Lz1 (mm)	Lz2 (mm)	Lmax (mm)	E (mm)	Y1 (mm)
16	PPA08	50	27	12	64	64	M5	G 1/4	41	28	28	128	74	35
20	PPA08	50	27	12	64	64	M5	G 1/4	41	28	28	128	74	35
25	PPA08	58	30	12	64	64	M5	G 1/4	41	33	33	128	74	35
32	PPA08	68	36	12	64	64	M5	G 1/4	41	36	36	128	74	35
40	PPA15	84	44	15	83	83	M5	G 1/4	45	43	43	165	94	33
50	PPA15	97	51	15	83	83	M5	G 1/4	45	45	45	165	94	33
63	PPA40	124	64	15	92	92	M5	G 1/4	56	51	51	184	120	36



d (mm)	Y (mm)	Y2 (mm)	H (mm)	X10 (mm)	B3 (mm)	BG (mm)	Wmax (mm)	G1 (mm)	da2 (mm)	X6 (mm)	X5 (mm)	X8 (mm)	X9 (mm)	R2 (mm)	X7 (mm)
16	75	60	215	35	25	M6	210	M5	33	30	80	78	132	R150	43
20	75	60	215	35	25	M6	210	M5	33	30	80	78	132	R150	43
25	75	60	219	35	25	M6	210	M5	33	30	80	78	132	R150	43
32	75	60	225	35	25	M6	210	M5	33	30	80	78	132	R150	43
40	88	60	244	33	45	M8	210	M5	33	30	80	78	132	R150	51
50	88	60	250	33	45	M8	210	M5	33	30	80	78	132	R150	51
63	111	60	288	36	45	M8	210	M5	33	30	80	78	132	R150	62

d (mm)	H2 (mm)	P1 (mm)	P2 (mm)	z (mm)
16	20	12	12	68
20	20	14	14	67
25	20	17	17	76
32	20	21	21	82
40	20	24	24	98
50	20	29	29	99
63	20	36	36	111



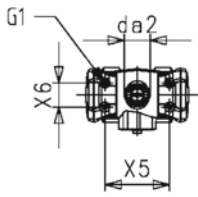
**SYGEF Standard PVDF Ball valve type 546 Pro with PPA
DA (Double acting)
Without manual override
With threaded sockets NPT**

Model:

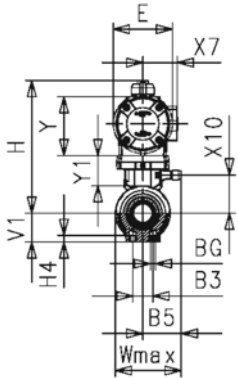
- Control pressure supply through integrated NAMUR interface according VDI/VDE 3845 with 5.6 bar (81.2 psi)
- Control time 90°< 1-2s
- For easy installation and removal
- Integrated stainless steel mounting inserts
- Full plastic solution (actuator housing made of PP-GF)
- Visual position indicator
- Z-dimension, valve end and union nut are compatible with type 230 – 235 and 546 (1st Generation)

Option:

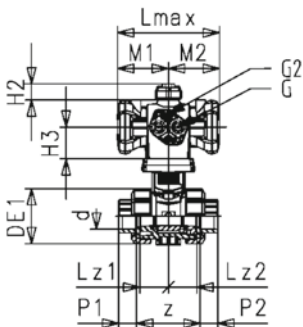
- Position feedback sensor, incl. LED feedback (DN10-50) - PNP, NPN and NAMUR
- Positioner RPC, RPC D, RPC PID
- Individual configuration of the valve



d (mm)	DN (mm)	PN (bar)	kv-value (Δp=1 bar) (l/min)	FKM Code	SP	Weight (kg)
16	10	10	70	199 252 612	1	1.500
20	15	10	185	199 252 613	1	1.500
25	20	10	350	199 252 614	1	1.600
32	25	10	700	199 252 615	1	1.700
40	32	10	1000	199 252 616	1	2.800
50	40	10	1600	199 252 617	1	3.100
63	50	10	3100	199 252 618	1	4.000



d (mm)	Actuator	DE1 (mm)	V1 (mm)	H4 (mm)	M1 (mm)	M2 (mm)	G2 (mm)	G (mm)	H3 (mm)	Lz1 (mm)	Lz2 (mm)	Lmax (mm)	E (mm)	Y1 (mm)
16	PPA08	50	27	12	64	64	M5	G 1/4	41	28	28	128	74	35
20	PPA08	50	27	12	64	64	M5	G 1/4	41	28	28	128	74	35
25	PPA08	58	30	12	64	64	M5	G 1/4	41	33	33	128	74	35
32	PPA08	68	36	12	64	64	M5	G 1/4	41	36	36	128	74	35
40	PPA08	84	44	15	83	83	M5	G 1/4	41	43	43	165	94	33
50	PPA08	97	51	15	83	83	M5	G 1/4	41	45	45	165	94	33
63	PPA08	124	64	15	92	92	M5	G 1/4	41	51	51	184	120	36



d (mm)	Y (mm)	H (mm)	X10 (mm)	B3 (mm)	BG (mm)	Wmax (mm)	G1 (mm)	da2 (mm)	X6 (mm)	X5 (mm)	X7 (mm)	H2 (mm)	P1 (mm)	P2 (mm)	z (mm)
16	75	155	35	25	M6	77	M5	33	30	80	43	20	13	13	67
20	75	155	35	25	M6	77	M5	33	30	80	43	20	14	14	67
25	75	159	35	25	M6	77	M5	33	30	80	43	20	16	16	76
32	75	165	35	25	M6	93	M5	33	30	80	43	20	18	18	82
40	88	184	33	45	M8	93	M5	33	30	80	51	20	20	20	96
50	88	190	33	45	M8	117	M5	33	30	80	51	20	23	23	101
63	111	228	36	45	M8	117	M5	33	30	80	62	20	27	27	114



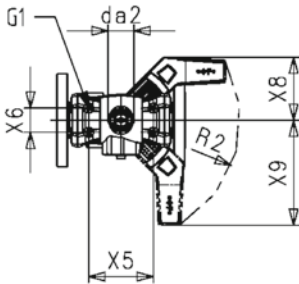
**SYGEF Standard Ball valve type 546 Pro with PPA
DA (Double acting)
With fixed flanges PVDF serrated metric**

Model:

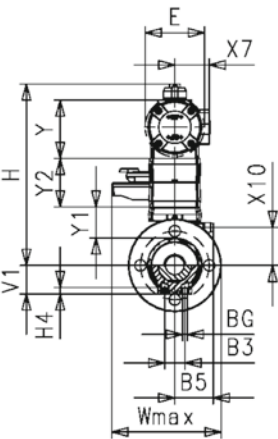
- Control pressure supply through integrated NAMUR interface according VDI/VDE 3845 with 5.6 bar (81.2 psi)
- Control time 90° < 1-2s
- For easy installation and removal
- Integrated stainless steel mounting inserts
- Full plastic solution (actuator housing made of PP-GF)
- Visual position indicator
- Z-dimension, valve end and union nut are compatible with type 230 – 235 and 546 (1st Generation)

Option:

- Position feedback sensor, incl. LED feedback (DN10-50) - PNP, NPN and NAMUR
- Positioner RPC, RPC D, RPC PID
- Individual configuration of the valve

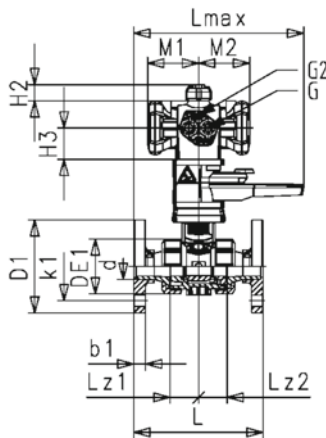


d (mm)	Size (inch)	DN (mm)	PN (bar)	kv-value ($\Delta p=1$ bar) (l/min)	EPDM Code	SP	Weight (kg)
20	½	15	10	185	199 252 103	1	1.400
25	¾	20	10	350	199 252 104	1	1.600
32	1	25	10	700	199 252 105	1	1.800
40	1 ¼	32	10	1000	199 252 106	1	3.100
50	1 ½	40	10	1600	199 252 107	1	3.600
63	2	50	10	3100	199 252 108	1	4.700



d (mm)	Actuator	DE1 (mm)	M1 (mm)	M2 (mm)	Lmax (mm)	H2 (mm)	G2 (mm)	G (mm)	H3 (mm)	Lz1 (mm)	Lz2 (mm)	b1 (mm)	k1 (mm)	D1 (mm)
20	PPA08	50	64	64	128	20	M5	G 1/4	41	48	48	12	33	95
25	PPA08	58	64	64	128	20	M5	G 1/4	41	56	56	13	38	103
32	PPA08	68	64	64	128	20	M5	G 1/4	41	59	59	14	43	115
40	PPA15	84	80	80	159	20	M5	G 1/4	45	67	67	15	50	138
50	PPA15	97	80	80	159	20	M5	G 1/4	45	74	74	16	55	148
63	PPA40	124	92	92	184	20	M5	G 1/4	56	85	85	18	63	163

d (mm)	L (mm)	z (mm)	E (mm)	X7 (mm)	Y1 (mm)	Y (mm)	Y2 (mm)	H (mm)	X10 (mm)	B3 (mm)	BG (mm)	Wmax (mm)	V1 (mm)	H4 (mm)	G1 (mm)
20	130	96	74	43	35	75	60	175	35	25	M6	210	27	12	M5
25	150	111	74	43	35	75	60	175	35	25	M6	210	30	12	M5
32	160	118	74	43	35	75	60	175	35	25	M6	210	36	12	M5
40	180	133	94	51	33	88	60	188	33	45	M8	210	44	12	M5
50	200	147	94	51	33	88	60	188	33	45	M8	210	51	12	M5
63	230	169	120	62	36	111	60	211	36	45	M8	210	64	12	M5



d (mm)	da2 (mm)	X6 (mm)	X5 (mm)	X8 (mm)	X9 (mm)	R2 (mm)
20	33	30	80	78	132	R150
25	33	30	80	78	132	R150
32	33	30	80	78	132	R150
40	33	30	80	78	132	R150
50	33	30	80	78	132	R150
63	33	30	80	78	132	R150

SYGEF Standard Ball valve type 232
DA (Double acting)
Without manual override
With backing flanges PP-st metric



Model:

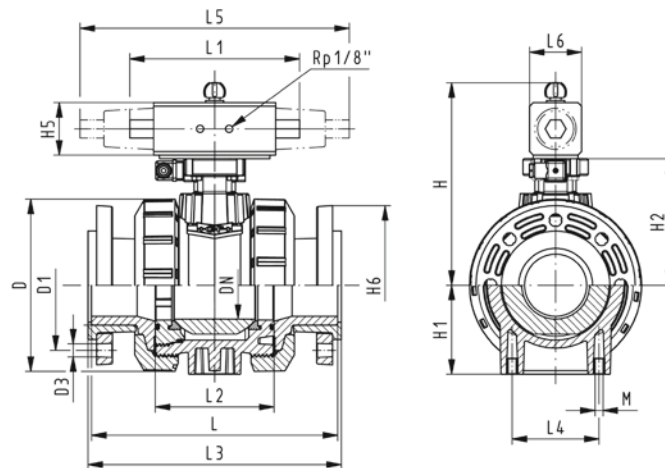
- Material: PVDF
- Control time 90°<) 1-2s
- Assignment of actuators: PA11 (DN10/15-25), PA21 (DN32-50), PA35 (DN65), PA40 (DN80), PA45 (DN100)
- For easy installation and removal
- Integrated stainless steel mounting inserts
- Overall length according to EN 558 (basic series: row 1)
- Connecting dimension: ISO 7005, EN 1092, BS 4504, DIN 2501

Option:

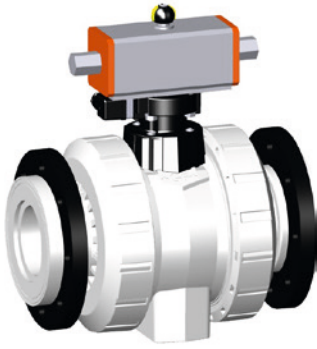
- Individual configuration of the valve

d (mm)	DN (mm)	Size (inch)	PN (bar)	kv-value ($\Delta p=1$ bar) (L/min)	FKM Code	SP	Weight (kg)
75	65	2 ½	10	5000	199 232 949	1	13.400
90	80	3	10	7000	199 232 950	1	18.200
110	100	4	10	11000	199 232 951	1	26.000

d (mm)	D (mm)	H (mm)	H1 (mm)	H2 (mm)	H5 (mm)	H6 (mm)	L (mm)	L1 (mm)	L2 (mm)	L3 (mm)	L4 (mm)	L6 (mm)
75	166	257	85	156	66	93	280	144	136	290	70	60
90	200	274	105	168	70	100	296	152	141	310	70	65
110	238	273	123	175	78	110	336	169	164	350	120	72



SYGEF Standard Ball valve type 232
DA (Double acting)
Without manual override
With backing flanges PP-st Inch ANSI



Model:

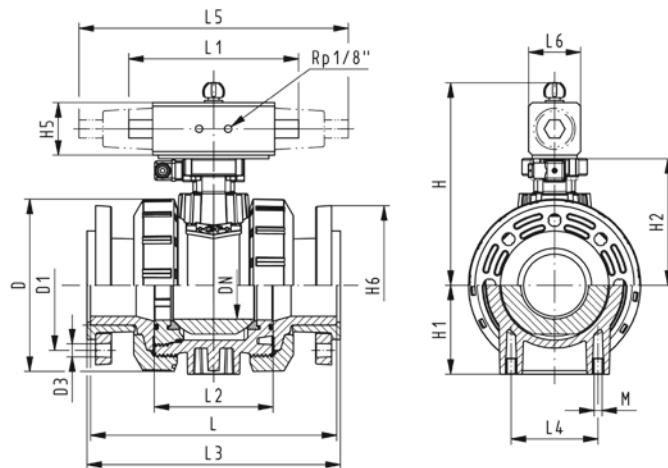
- Material: PVDF
- Control time $90^\circ <$ 1-2s
- Assignment of actuators: PA11 (DN10/15-25), PA21 (DN32-50), PA35 (DN65), PA40 (DN80), PA45 (DN100)
- For easy installation and removal
- Integrated stainless steel mounting inserts
- Overall length according to EN 558 (basic series: row 1)
- Connecting dimension ANSI/ASME B 16.5 / ASTM D 4024

Option:

- Individual configuration of the valve

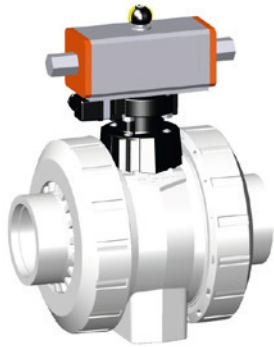
d (mm)	DN (mm)	Size (inch)	PN (bar)	kv-value ($\Delta p=1$ bar) (l/min)	FKM Code	SP	Weight (kg)
75	65	2 1/2	10	5000	199 232 979	1	13.400
90	80	3	10	7000	199 232 980	1	18.200
110	100	4	10	11000	199 232 981	1	26.000

d (mm)	D (mm)	H (mm)	H1 (mm)	H2 (mm)	H5 (mm)	H6 (mm)	L (mm)	L1 (mm)	L2 (mm)	L3 (mm)	L4 (mm)	L6 (mm)
75	166	257	85	156	66	93	280	144	136	290	70	60
90	200	274	105	168	70	100	296	152	141	310	70	65
110	238	273	123	175	78	115	336	169	164	350	120	72





DN10/15 - 50



SYGEF Standard Ball valve type 232
DA (Double acting)
Without manual override
With butt fusion spigots IR-Plus metric

Model:

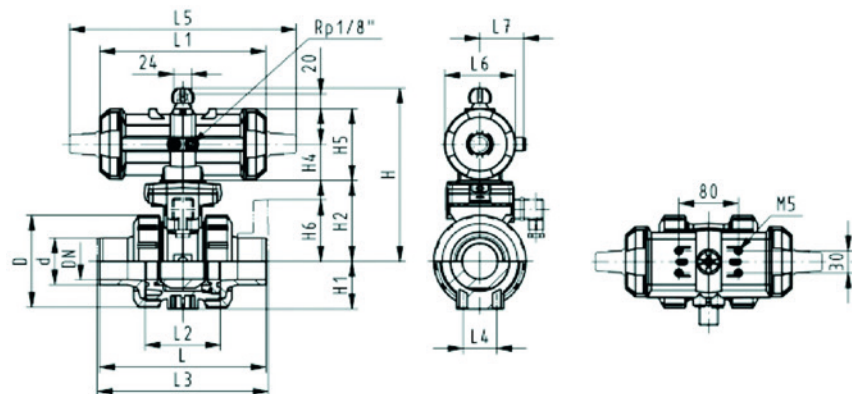
- Material: PVDF
- Control time 90°<) 1-2s
- Assignment of actuators: PA11 (DN10/15-25), PA21 (DN32-50), PA35 (DN65), PA40 (DN80), PA45 (DN100)
- For easy installation and removal
- Integrated stainless steel mounting inserts

Option:

- Individual configuration of the valve

d (mm)	DN (mm)	PN (bar)	kv-value ($\Delta p=1$ bar) (L/min)	FKM Code	SP	Weight (kg)
20	15	10	185	199 232 913	1	1.200
25	20	10	350	199 232 914	1	1.300
32	25	10	700	199 232 915	1	1.400
40	32	10	1000	199 232 916	1	2.500
50	40	10	1600	199 232 917	1	2.800
63	50	10	3100	199 232 918	1	3.700
75	65	10	5000	199 232 919	1	8.300
90	80	10	7000	199 232 920	1	11.900
110	100	10	11000	199 232 921	1	17.300

d	D	H	H1	H2	H4	H5	L	L1	L2	L4	L5	L6	L7	e
(mm)	(mm)	(mm)	(mm)	(mm)	(mm)	(mm)	(mm)	(mm)	(mm)	(mm)	(mm)	(mm)	(mm)	(mm)
20	50	159	27	62	40	77	130	194	56	25	261	76	48	2
25	58	168	30	71	40	77	130	194	65	25	261	76	48	2
32	68	168	36	71	40	77	130	194	71	25	261	76	48	2
40	84	202	44	84	51	99	130	224	85	45	305	95	59	2
50	97	202	51	84	51	99	130	224	89	45	305	95	59	3
63	124	225	64	106	51	99	130	224	101	45	305	95	59	3
75	166	257	85	156		66	266	144	136	70		60		4
90	200	274	105	168		70	264	152	141	70		65		4
110	238	273	123	175		78	301	169	164	120		72		5





DN10/15 - 50

SYGEF Standard Ball valve type 232
DA (Double acting)
Without manual override
With socket fusion spigots metric

Model:

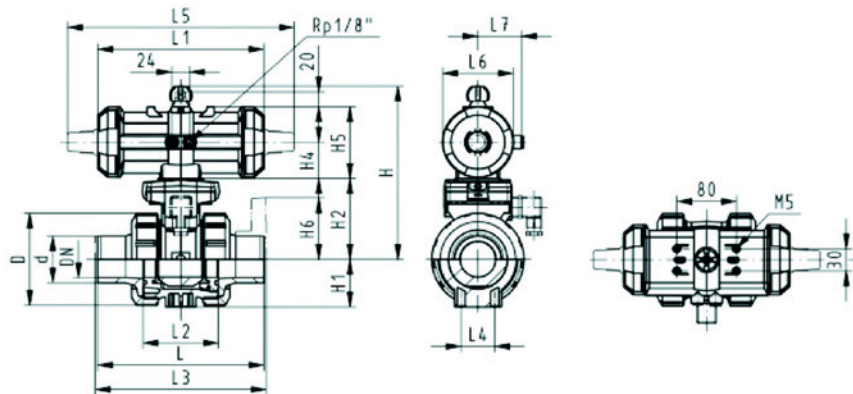
- Material: PVDF
- Built on with pneumatic actuator PA11 (DN10/15-25), PA21 (DN32-50)
- Control time 90°<) 1-2s
- For easy installation and removal
- Integrated stainless steel mounting inserts

Option:

- Individual configuration of the valve

d (mm)	DN (mm)	PN (bar)	kv-value ($\Delta p=1$ bar) (l/min)	FKM Code	SP	Weight (kg)
16	10	10	70	199 232 232	1	1.200
20	15	10	185	199 232 233	1	1.200
25	20	10	350	199 232 234	1	1.300
32	25	10	700	199 232 235	1	1.400
40	32	10	1000	199 232 236	1	2.500
50	40	10	1600	199 232 237	1	2.800
63	50	10	3100	199 232 238	1	3.700

d (mm)	D (mm)	H (mm)	H1 (mm)	H2 (mm)	H4 (mm)	H5 (mm)	L (mm)	L1 (mm)	L2 (mm)	L3 (mm)	L4 (mm)	L5 (mm)	L6 (mm)	L7 (mm)	closest inch (inch)
16	50	159	27	62	40	77	114	194	56	130	25	261	76	48	$\frac{3}{8}$
20	50	159	27	62	40	77	124	194	56	130	25	261	76	48	$\frac{1}{2}$
25	58	168	30	71	40	77	144	194	65	150	25	261	76	48	$\frac{3}{4}$
32	68	168	36	71	40	77	154	194	71	160	25	261	76	48	1
40	84	202	44	84	51	99	174	224	85	180	45	305	95	59	$1 \frac{1}{4}$
50	97	202	51	84	51	99	194	224	89	200	45	305	95	59	$1 \frac{1}{2}$
63	124	225	64	106	51	99	224	224	101	230	45	305	95	59	2





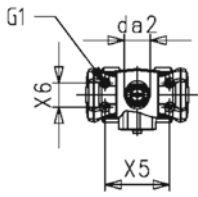
SYGEF Standard PVDF Ball valve type 546 Pro with PPA DA (Double acting)
With fusion sockets metric

Model:

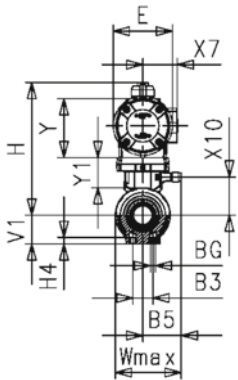
- Control pressure supply through integrated NAMUR interface according VDI/VDE 3845 with 5.6 bar (81.2 psi)
- Control time 90°(<) 1-2s
- For easy installation and removal
- Integrated stainless steel mounting inserts
- Full plastic solution (actuator housing made of PP-GF)
- Visual position indicator
- Z-dimension, valve end and union nut are compatible with type 230 – 235 and 546 (1st Generation)

Option:

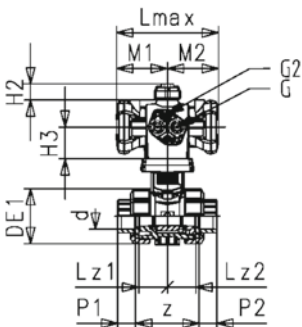
- Position feedback sensor, incl. LED feedback (DN10-50) - PNP, NPN and NAMUR
- Positioner RPC, RPC D, RPC PID
- Individual configuration of the valve



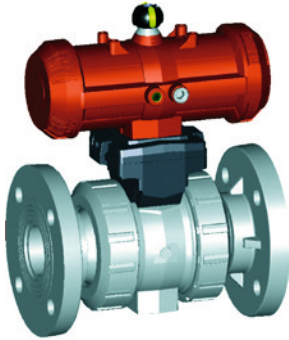
d (mm)	DN (mm)	PN (bar)	kv-value (Δp=1 bar) (l/min)	FKM Code	SP	Weight (kg)
16	10	10	70	199 252 212	1	1.200
20	15	10	185	199 252 213	1	1.200
25	20	10	350	199 252 214	1	1.300
32	25	10	700	199 252 215	1	1.096
40	32	10	1000	199 252 216	1	1.845
50	40	10	1600	199 252 217	1	2.800
63	50	10	3100	199 252 218	1	3.700



d (mm)	Actuator	DE1 (mm)	V1 (mm)	H4 (mm)	M1 (mm)	M2 (mm)	G2 (mm)	G (mm)	H3 (mm)	Lz1 (mm)	Lz2 (mm)	Lmax (mm)	E (mm)	Y1 (mm)
16	PPA08	50	27	12	64	64	M5	G 1/4	41	28	28	128	74	35
20	PPA08	50	27	12	64	64	M5	G 1/4	41	28	28	128	74	35
25	PPA08	58	30	12	64	64	M5	G 1/4	41	33	33	128	74	35
32	PPA08	68	36	12	64	64	M5	G 1/4	41	36	36	128	74	35
40	PPA15	84	44	15	83	83	M5	G 1/4	45	43	43	165	94	33
50	PPA15	97	51	15	83	83	M5	G 1/4	45	45	45	165	94	33
63	PPA40	124	64	15	92	92	M5	G 1/4	56	51	51	184	120	36



d (mm)	Y (mm)	H (mm)	X10 (mm)	B3 (mm)	BG (mm)	Wmax (mm)	G1 (mm)	da2 (mm)	X6 (mm)	X5 (mm)	X7 (mm)	H2 (mm)	P1 (mm)	P2 (mm)	z (mm)
16	75	155	35	25	M6	77	M5	33	30	80	43	20	13	13	67
20	75	155	35	25	M6	77	M5	33	30	80	43	20	14	14	67
25	75	159	35	25	M6	77	M5	33	30	80	43	20	16	16	76
32	75	165	35	25	M6	93	M5	33	30	80	43	20	18	18	82
40	88	184	33	45	M8	93	M5	33	30	80	51	20	20	20	96
50	88	190	33	45	M8	117	M5	33	30	80	51	20	23	23	101
63	111	228	36	45	M8	117	M5	33	30	80	62	20	27	27	114



DN10/15 - 50

SYGEF Standard Ball valve type 232
FO (Fail safe to open)
Without manual override
With fixed flanges PVDF serrated metric

Model:

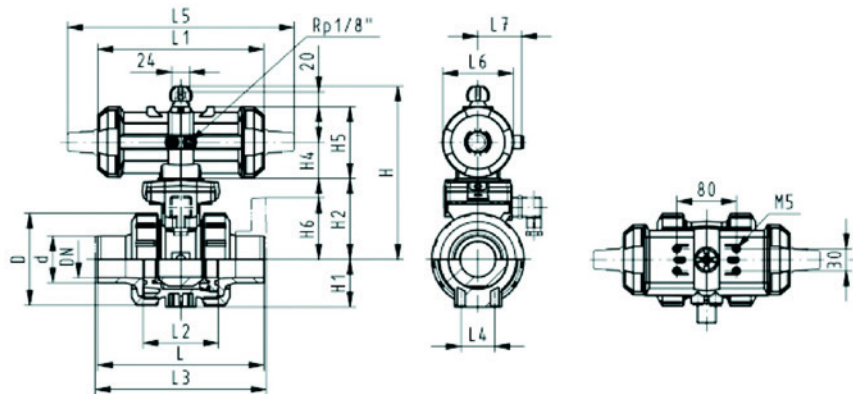
- Material: PVDF
- Built on with pneumatic actuator PA11 (DN10/15-25), PA21 (DN32-50)
- Control time 90°<) 1-2s
- For easy installation and removal
- Integrated stainless steel mounting inserts
- Overall length EN 558
- Connecting dimension: ISO 7005 / EN 1092 / DIN 25 PN10 / BS4504

Option:

- Individual configuration of the valve

d (mm)	DN (mm)	Size (inch)	PN (bar)	kv-value ($\Delta p=1$ bar) (l/min)	FKM Code	SP	Weight (kg)
20	15	½	10	185	199 232 083	1	1.400
25	20	¾	10	350	199 232 084	1	1.600
32	25	1	10	700	199 232 085	1	1.800
40	32	1 ¼	10	1000	199 232 086	1	3.100
50	40	1 ½	10	1600	199 232 087	1	3.600
63	50	2	10	3100	199 232 088	1	4.697

D	H	H1	H2	H4	H5	H6	L	L1	L2	L3	L4	L5	L6	L7
(mm)	(mm)	(mm)	(mm)	(mm)	(mm)	(mm)	(mm)	(mm)	(mm)	(mm)	(mm)	(mm)	(mm)	(mm)
50	159	27	62	40	77	48	124	194	56	130	25	261	76	48
58	168	30	71	40	77	53	144	194	65	150	25	261	76	48
68	168	36	71	40	77	58	154	194	71	160	25	261	76	48
84	202	44	84	51	99	70	174	224	85	180	45	305	95	59
97	202	51	84	51	99	75	194	224	89	200	45	305	95	59
124	225	64	106	51	99	83	224	224	101	230	45	305	95	59





SYGEF Standard Ball valve type 232
FO (Fail safe to open)
Without manual override
With backing flanges PP-st Inch ANSI

Model:

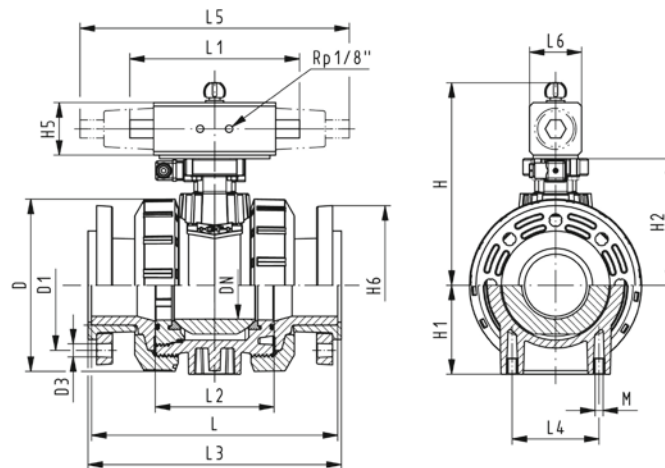
- Material: PVDF
- Control time 90° < 1-2s
- Assignment of actuators: PA11 (DN10/15-25), PA21 (DN32-50), PA35 (DN65), PA40 (DN80), PA40 (DN100)
- For easy installation and removal
- Integrated stainless steel mounting inserts
- Overall length according to EN 558 (basic series: row 1)
- Connecting dimension ANSI/ASME B 16.5 / ASTM D 4024

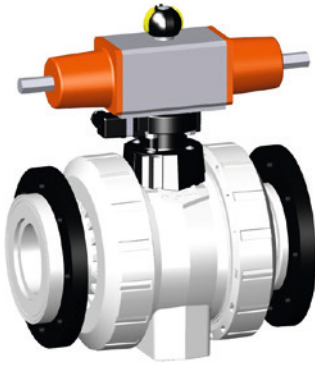
Option:

- Individual configuration of the valve

d (mm)	DN (mm)	Size (inch)	PN (bar)	kv-value ($\Delta p=1$ bar) (L/min)	FKM Code	SP	Weight (kg)
75	65	2 ½	10	5000	199 232 969	1	14.500
90	80	3	10	7000	199 232 970	1	18.900
110	100	4	10	11000	199 232 971	1	27.700

d (mm)	D (mm)	H (mm)	H1 (mm)	H2 (mm)	H5 (mm)	H6 (mm)	L (mm)	L2 (mm)	L3 (mm)	L4 (mm)	L5 (mm)	L6 (mm)
75	166	262	85	156	70	93	280	136	290	70	276	65
90	200	281	105	168	78	100	296	141	310	70	341	72
110	238	292	123	175	86	115	336	164	350	120	369	80





SYGEF Standard Ball valve type 232
FO (Fail safe to open)
Without manual override
With backing flanges PP-st metric

Model:

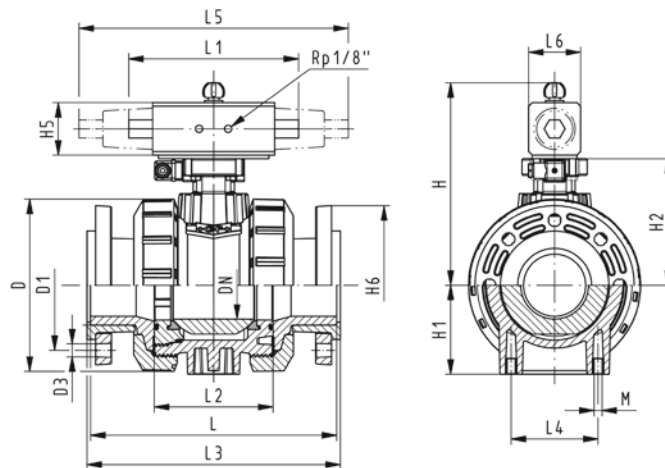
- Material: PVDF
- Control time $90^\circ <$ 1-2s
- Assignment of actuators: PA11 (DN10/15-25), PA21 (DN32-50), PA35 (DN65), PA40 (DN80), PA40 (DN100)
- For easy installation and removal
- Integrated stainless steel mounting inserts
- Overall length according to EN 558 (basic series: row 1)
- Connecting dimension: ISO 7005, EN 1092, BS 4504, DIN 2501

Option:

- Individual configuration of the valve

d (mm)	DN (mm)	Size (inch)	PN (bar)	kv-value ($\Delta p=1$ bar) (L/min)	FKM Code	SP	Weight (kg)
75	65	2 1/2	10	5000	199 232 939	1	14.500
90	80	3	10	7000	199 232 940	1	18.900
110	100	4	10	11000	199 232 941	1	27.700

d (mm)	D (mm)	H (mm)	H1 (mm)	H2 (mm)	H5 (mm)	H6 (mm)	L (mm)	L2 (mm)	L3 (mm)	L4 (mm)	L5 (mm)	L6 (mm)
75	166	262	85	156	70	93	280	136	290	70	276	65
90	200	281	105	168	78	100	296	141	310	70	341	72
110	238	292	123	175	86	110	336	164	350	120	369	80





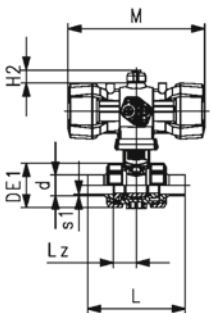
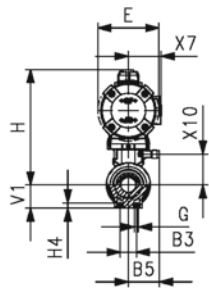
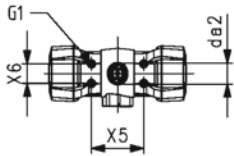
**SYGEF Standard PVDF Ball valve type 546 Pro with PPA
FO (Fail safe to open)
With butt fusion spigots PVDF IR-Plus ISO
Without manual override
5.6 bar (Standard)**

Model:

- Control pressure supply through integrated NAMUR interface according VDI/VDE 3845
- Full plastic solution (actuator housing made of PP-GF)
- Visual position indicator
- Integrated stainless steel mounting inserts
- z-dimension, valve end and union nut are compatible with type 546 (1st Generation)

Option:

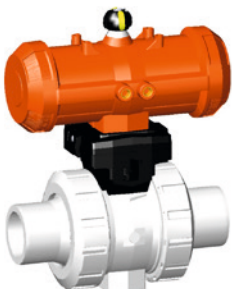
- Position feedback through double sensor with LED (PNP, NPN and NAMUR)
- Positioner RPC, RPC D, RPC PID
- Individual configuration of valves possible



d (mm)	DN (mm)	Size (inch)	PN (bar)	kv-value ($\Delta p=1$ bar) (l/min)	FKM Code	SP	Weight (kg)
20	15	½	10	185	199 252 873	1	1.200
25	20	¾	10	350	199 252 874	1	1.198
32	25	1	10	700	199 252 875	1	1.335
40	32	1 ¼	10	1000	199 252 876	1	2.351
50	40	1 ½	10	1600	199 252 877	1	2.800
63	50	2	10	3100	199 252 878	1	3.568

d (mm)	Actuator	B3 (mm)	B5 (mm)	da2 (mm)	DE1 (mm)	E (mm)	G (mm)	G1 (mm)	H (mm)	H2 (mm)	H4 (mm)	L (mm)	Lz (mm)	M (mm)	s1 (mm)
20	PPA08	25	16.2	33	50	74	M6	M5	155	20	12	130	28	159	1.9
25	PPA08	25	17.5	33	58	74	M6	M5	159	20	12	143	33	159	2.3
32	PPA15	25	17.5	33	68	94	M6	M5	178	20	12	150	36	211	3.0
40	PPA15	45	23.3	33	84	94	M8	M5	184	20	15	171	43	211	3.7
50	PPA40	45	23.3	33	97	120	M8	M5	213	20	15	191	45	246	4.6
63	PPA40	45	24.3	33	124	120	M8	M5	228	20	15	220	51	246	5.8

d (mm)	V1 (mm)	X5 (mm)	X6 (mm)	X7 (mm)	X10 (mm)
20	27	80	30	43	38.0
25	30	80	30	43	41.9
32	36	80	30	51	47.0
40	44	80	30	51	53.5
50	51	80	30	62	62.8
63	64	80	30	62	77.0



DN10/15 - 50

**SYGEF Standard Ball valve type 232
FO (Fail safe to open)
Without manual override
With socket fusion spigots metric**

Model:

- Material: PVDF
- Built on with pneumatic actuator PA11 (DN10/15-25), PA21 (DN32-50)
- Control time 90° < 1-2s
- For easy installation and removal
- Integrated stainless steel mounting inserts

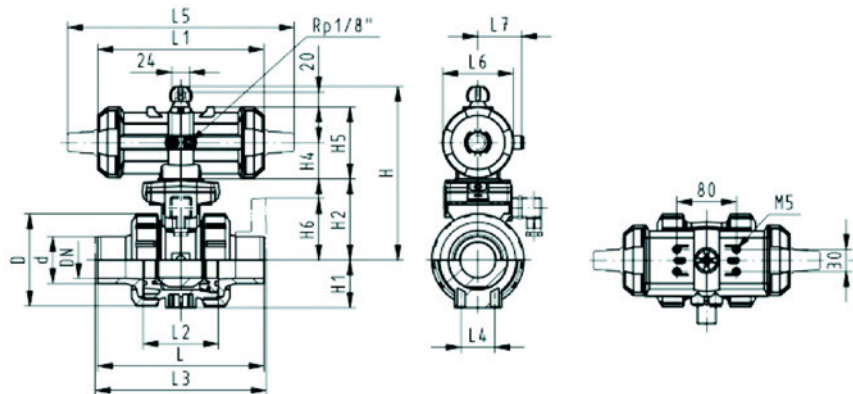
Option:

- Individual configuration of the valve

d (mm)	DN (mm)	PN (bar)	kv-value ($\Delta p=1$ bar) (l/min)	FKM Code	SP	Weight (kg)
16	10	10	70	199 232 192	1	1.200
20	15	10	185	199 232 193	1	1.200
25	20	10	350	199 232 194	1	1.300

d (mm)	DN (mm)	PN (bar)	kv-value ($\Delta p=1$ bar) (L/min)	FKM Code	SP	Weight (kg)
32	25	10	700	199 232 195	1	1.400
40	32	10	1000	199 232 196	1	2.500
50	40	10	1600	199 232 197	1	2.800
63	50	10	3100	199 232 198	1	3.603

d (mm)	D (mm)	H (mm)	H1 (mm)	H2 (mm)	H4 (mm)	H5 (mm)	L (mm)	L1 (mm)	L2 (mm)	L3 (mm)	L4 (mm)	L5 (mm)	L6 (mm)	L7 (mm)	closest inch (inch)
16	50	159	27	62	40	77	114	194	56	130	25	261	76	48	$\frac{3}{8}$
20	50	159	27	62	40	77	124	194	56	130	25	261	76	48	$\frac{1}{2}$
25	58	168	30	71	40	77	144	194	65	150	25	261	76	48	$\frac{3}{4}$
32	68	168	36	71	40	77	154	194	71	160	25	261	76	48	1
40	84	202	44	84	51	99	174	224	85	180	45	305	95	59	$1\frac{1}{4}$
50	97	202	51	84	51	99	194	224	89	200	45	305	95	59	$1\frac{1}{2}$
63	124	225	64	106	51	99	224	224	101	230	45	305	95	59	2



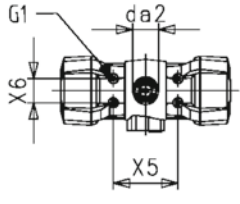
**SYGEF Standard PVDF Ball valve type 546 Pro with PPA FO (Fail safe to open)
With fusion sockets metric**

Model:

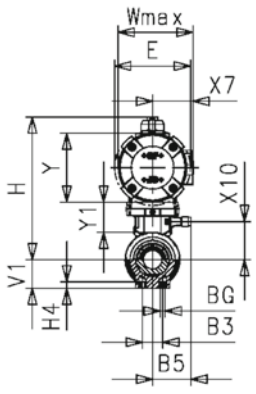
- Control pressure supply through integrated NAMUR interface according VDI/VDE 3845 with 5.6 bar (81.2 psi)
- Control time $90^\circ \leq$ 1-2s
- For easy installation and removal
- Integrated stainless steel mounting inserts
- Full plastic solution (actuator housing made of PP-GF)
- Z-dimension, valve end and union nut are compatible with type 230 – 235 and 546 (1st Generation)

Option:

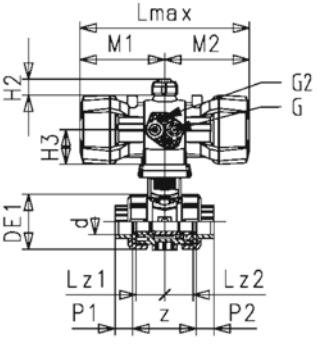
- Position feedback sensor, incl. LED feedback (DN10-50) - PNP, NPN and NAMUR
- Positioner RPC, RPC D, RPC PID
- Individual configuration of the valve



d (mm)	DN (mm)	PN (bar)	kv-value ($\Delta p=1$ bar) (l/min)	FKM Code	SP	Weight (kg)
16	10	10	70	199 252 172	1	1.200
20	15	10	185	199 252 173	1	1.200
25	20	10	350	199 252 174	1	1.300
32	25	10	700	199 252 175	1	1.400
40	32	10	1000	199 252 176	1	2.500
50	40	10	1600	199 252 177	1	2.800
63	50	10	3100	199 252 178	1	3.700
75	65	10	5000	199 252 179	1	9.200
90	80	10	7000	199 252 180	1	12.300
110	100	10	11000	199 252 181	1	18.900

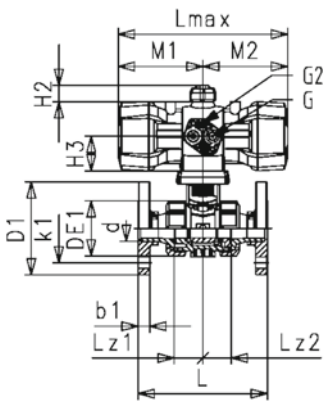
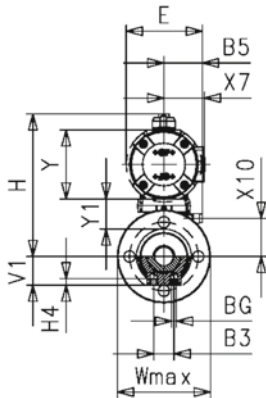
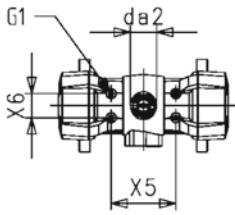


d Actuator (mm)	D (mm)	V1 (mm)	H4 (mm)	M1 (mm)	M2 (mm)	G2 (mm)	G (mm)	H3 (mm)	Lz1 (mm)	Lz2 (mm)	Lmax (mm)	E (mm)	Y1 (mm)	
16	PPA08	50	27	12	80	80	M5	G 1/4	41	28	28	159	74	35
20	PPA08	50	27	12	80	80	M5	G 1/4	41	28	28	159	74	35
25	PPA08	58	30	12	80	80	M5	G 1/4	41	33	33	159	74	35
32	PPA15	68	36	12	106	106	M5	G 1/4	45	36	36	211	94	35
40	PPA15	84	44	15	106	106	M5	G 1/4	45	43	43	211	94	33
50	PPA40	97	51	15	123	123	M5	G 1/4	56	45	45	246	120	33
63	PPA40	124	64	15	123	123	M5	G 1/4	56	51	51	246	120	36
75	PPA80	166	85	15	172	172	M5	G 1/4	66	68	68	343	142	
90	PPA80	200	105	15	172	172	M5	G 1/4	66	71	71	343	142	
110	PPA80	238	123	22	172	172	M5	G 1/4	66	82	82	343	142	



d (mm)	Y (mm)	H (mm)	X10 (mm)	B3 (mm)	BG (mm)	Wmax (mm)	G1 (mm)	da2 (mm)	X6 (mm)	X5 (mm)	X7 (mm)	H2 (mm)	P1 (mm)	P2 (mm)	z (mm)
16	75	155	35	25	M6	77		33	30	80	43	20	13	13	67
20	75	155	35	25	M6	77	M5	33	30	80	43	20	14	14	67
25	88	159	35	25	M6	77	M5	33	30	80	43	20	16	16	76
32	88	178	35	25	M6	93	M5	33	30	80	51	20	18	18	82
40	11	184	33	45	M8	93	M5	33	30	80	51	20	20	20	97
50	111	213	33	45	M8	117	M5	33	30	80	62	20	23	23	101
63	111	288	36	45	M8	117	M5	33	30	80	62	20	27	27	114
75	131	307		70	M8	139	M5	33	30	80	74	20	33	33	167
90	131	319		70	M8	139	M5	33	30	80	74	20	37	37	180
110	131	326		120	M12	139	M5	33	30	80	74	20	43	43	215

**SYGEF Standard PVDF Ball valve type 546 Pro with PPA
FC (Fail safe to close)
With fixed flanges PVDF serrated metric**



Model:

- Control pressure supply through integrated NAMUR interface according VDI/VDE 3845 with 5.6 bar (81.2 psi)
- Control time 90° < 1-2s
- For easy installation and removal
- Integrated stainless steel mounting inserts
- Full plastic solution (actuator housing made of PP-GF)
- Visual position indicator
- Z-dimension, valve end and union nut are compatible with type 230 – 235 and 546 (1st Generation)

Option:

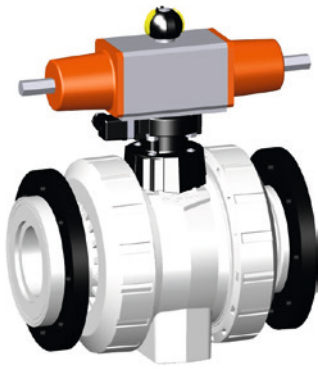
- Position feedback sensor, incl. LED feedback (DN10-50) - PNP, NPN and NAMUR
- Positioner RPC, RPC D, RPC PID
- Individual configuration of the valve

d (mm)	DN (mm)	Size (inch)	PN (bar)	kv-value (Δp=1 bar) (l/min)	FKM Code	SP	Weight (kg)
20	15	½	10	185	199 252 063	1	1.326
25	20	¾	10	350	199 252 064	1	1.600
32	25	1	10	700	199 252 065	1	1.804
40	32	1 ¼	10	1000	199 252 066	1	3.100
50	40	1 ½	10	1600	199 252 067	1	3.600
63	50	2	10	3100	199 252 068	1	4.700

d (mm)	Actuator	DE1 (mm)	M1 (mm)	M2 (mm)	Lmax (mm)	H2 (mm)	G2 (mm)	G (mm)	H3 (mm)	Lz1 (mm)	Lz2 (mm)	b1 (mm)	k1 (mm)	D1 (mm)
20	PPA08	50	80	80	159	20	M5	G 1/4	41	48	48	12	33	95
25	PPA08	58	80	80	159	20	M5	G 1/4	41	56	56	13	38	103
32	PPA15	68	106	106	211	20	M5	G 1/4	45	59	59	14	43	115
40	PPA15	84	106	106	211	20	M5	G 1/4	45	67	67	15	50	138
50	PPA40	97	123	123	246	20	M5	G 1/4	56	74	74	16	55	148
63	PPA40	124	123	123	246	20	M5	G 1/4	56	85	85	18	63	163

d (mm)	L (mm)	z (mm)	E (mm)	X7 (mm)	Y1 (mm)	Y (mm)	H (mm)	X10 (mm)	B3 (mm)	BG (mm)	Wmax (mm)	V1 (mm)	H4 (mm)	G1 (mm)	da2 (mm)
20	130	96	74	43	35	75	115	35	25	M6	95	27	12	M5	33
25	150	111	74	43	35	75	115	35	25	M6	103	30	12	M5	33
32	160	118	94	51	35	88	128	35	25	M6	115	36	12	M5	33
40	180	133	94	51	33	88	128	33	45	M8	138	44	15	M5	33
50	200	148	120	62	33	111	151	33	45	M8	148	51	15	M5	33
63	230	163	120	62	36	111	151	36	45	M8	163	64	15	M5	33

d (mm)	X6 (mm)	X5 (mm)
20	30	80
25	30	80
32	30	80
40	30	80
50	30	80
63	30	80



SYGEF Standard Ball valve type 232
FC (Fail safe to close)
Without manual override
With backing flanges PP-st ASTM

Model:

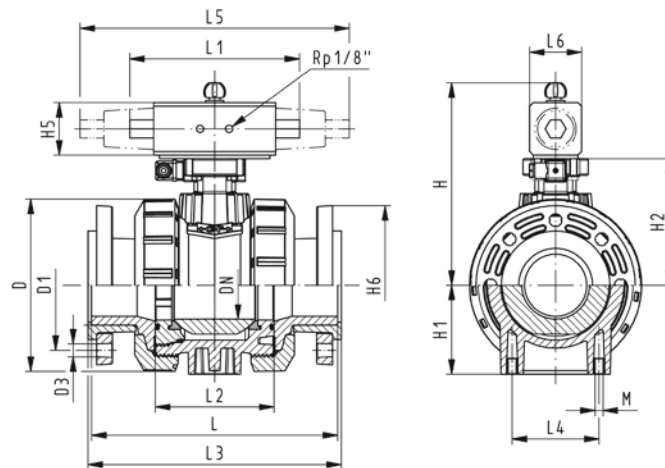
- Material: PVDF
- Control time 90° < 1-2s
- Assignment of actuators: PA11 (DN10/15-25), PA21 (DN32-50), PA35 (DN65), PA40 (DN80), PA40 (DN100)
- For easy installation and removal
- Integrated stainless steel mounting inserts
- Overall length according to EN 558 (basic series: row 1)
- Connecting dimension ANSI/ASME B 16.5 / ASTM D 4024

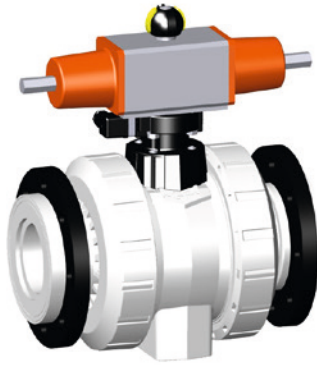
Option:

- Individual configuration of the valve

d (mm)	DN (mm)	Size (inch)	PN (bar)	kv-value ($\Delta p=1$ bar) (L/min)	FKM Code	SP	Weight (kg)
75	65	2 ½	10	5000	199 232 959	1	14.500
90	80	3	10	7000	199 232 960	1	18.900
110	100	4	10	11000	199 232 961	1	27.700

d (mm)	D (mm)	H (mm)	H1 (mm)	H2 (mm)	H5 (mm)	H6 (mm)	L (mm)	L2 (mm)	L3 (mm)	L4 (mm)	L5 (mm)	L6 (mm)
75	166	262	85	156	70	93	280	136	290	70	276	65
90	200	281	105	168	78	100	296	141	310	70	341	72
110	238	292	123	175	86	115	336	164	350	120	369	80





SYGEF Standard Ball valve type 232
FC (Fail safe to close)
Without manual override
With backing flanges PP-st metric

Model:

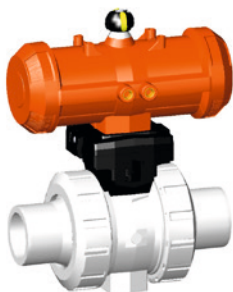
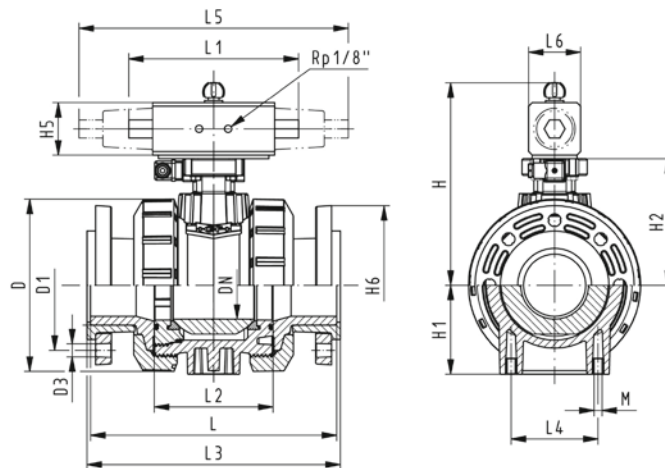
- Material: PVDF
- Control time $90^\circ <$ 1-2s
- Assignment of actuators: PA11 (DN10/15-25), PA21 (DN32-50), PA35 (DN65), PA40 (DN80), PA40 (DN100)
- For easy installation and removal
- Integrated stainless steel mounting inserts
- Overall length according to EN 558 (basic series: row 1)
- Connecting dimension: ISO 7005, EN 1092, BS 4504, DIN 2501

Option:

- Individual configuration of the valve

d (mm)	DN (mm)	Size (inch)	PN (bar)	kv-value ($\Delta p=1$ bar) (l/min)	FKM Code	SP	Weight (kg)
75	65	2 1/2	10	5000	199 232 929	1	14.500
90	80	3	10	7000	199 232 930	1	18.900
110	100	4	10	11000	199 232 931	1	27.700

d (mm)	D (mm)	H (mm)	H1 (mm)	H2 (mm)	H5 (mm)	H6 (mm)	L (mm)	L2 (mm)	L3 (mm)	L4 (mm)	L5 (mm)	L6 (mm)
75	166	262	85	156	70	93	280	136	290	70	276	65
90	200	281	105	168	78	100	296	141	310	70	341	72
110	238	292	123	175	86	110	340	164	350	120	369	80



DN10/15 - 50

SYGEF Standard Ball valve type 232
FC (Fail safe to close)
Without manual override
With socket fusion spigots metric

Model:

- Material: PVDF
- Built on with pneumatic actuator PA11 (DN10/15-25), PA21 (DN32-50)
- Control time $90^\circ <$ 1-2s
- For easy installation and removal
- Integrated stainless steel mounting inserts

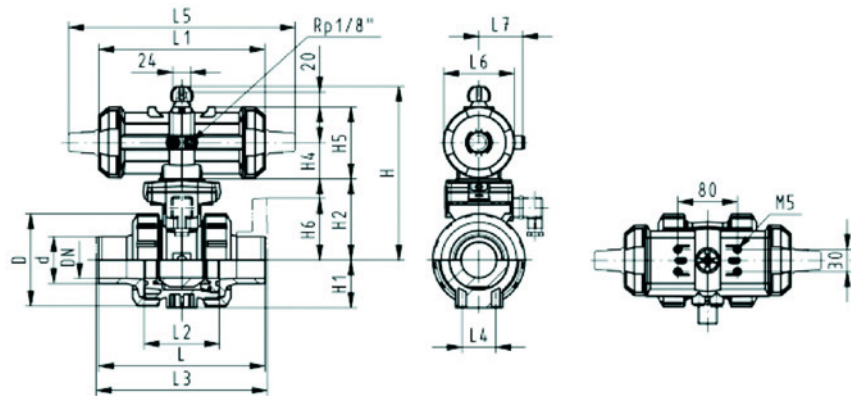
Option:

- Individual configuration of the valve

d (mm)	DN (mm)	PN (bar)	kv-value ($\Delta p=1$ bar) (l/min)	FKM Code	SP	Weight (kg)
16	10	10	70	199 232 152	1	1.200
20	15	10	185	199 232 153	1	1.084
25	20	10	350	199 232 154	1	1.300

d (mm)	DN (mm)	PN (bar)	kv-value ($\Delta p=1$ bar) (L/min)	FKM Code	SP	Weight (kg)
32	25	10	700	199 232 155	1	1.343
40	32	10	1000	199 232 156	1	2.500
50	40	10	1600	199 232 157	1	2.800
63	50	10	3100	199 232 158	1	3.700

d (mm)	D (mm)	H (mm)	H1 (mm)	H2 (mm)	H4 (mm)	H5 (mm)	L (mm)	L1 (mm)	L2 (mm)	L3 (mm)	L4 (mm)	L5 (mm)	L6 (mm)	L7 (mm)	closest inch (inch)
16	50	159	27	62	40	77	114	194	56	130	25	261	76	48	$\frac{3}{8}$
20	50	159	27	62	40	77	124	194	56	130	25	261	76	48	$\frac{1}{2}$
25	58	168	30	71	40	77	144	194	65	150	25	261	76	48	$\frac{3}{4}$
32	68	168	36	71	40	77	154	194	71	160	25	261	76	48	1
40	84	202	44	84	51	99	174	224	85	180	45	305	95	59	$1\frac{1}{4}$
50	97	202	51	84	51	99	194	224	89	200	45	305	95	59	$1\frac{1}{2}$
63	124	225	64	106	51	99	224	224	101	230	45	305	95	59	2





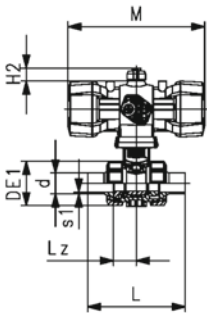
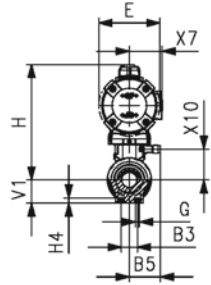
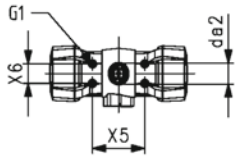
SYGEF Standard PVDF Ball valve type 546 Pro with PPA FC (Fail safe to close)
With butt fusion spigots PVDF ISO IR-PLUS
Without manual override
5.6 bar control pressure

Model:

- Control pressure supply through integrated NAMUR interface according VDI/VDE 3845
- Full plastic solution (actuator housing made of PP-GF)
- Visual position indicator
- Integrated stainless steel mounting inserts
- z-dimension, valve end and union nut are compatible with type 546 (1st Generation)

Option:

- Position feedback through double sensor with LED (PNP, NPN and NAMUR)
- Positioner RPC, RPC D, RPC PID
- Individual configuration of valves possible



d (mm)	DN (mm)	Size (inch)	PN (bar)	kv-value ($\Delta p=1$ bar) (l/min)	FKM Code	SP	Weight (kg)
20	15	½	10	185	199 252 833	1	1.083
25	20	¾	10	350	199 252 834	1	1.191
32	25	1	10	700	199 252 835	1	1.330
40	32	1 ¼	10	1000	199 252 836	1	2.350
50	40	1 ½	10	1600	199 252 837	1	2.639
63	50	2	10	3100	199 252 838	1	4.219
75	65	½	10	5000	199 252 839	1	9.500
90	80	3	10	7000	199 252 840	1	12.600
110	100	4	10	11000	199 252 841	1	19.100

d (mm)	Actuator	B3 (mm)	B5 (mm)	da2 (mm)	DE1 (mm)	E (mm)	G (mm)	G1 (mm)	H (mm)	H2 (mm)	H4 (mm)	L (mm)	Lz (mm)	M (mm)	s1 (mm)
20	PPA08	25	16.2	33	50	74	M6	M5	155	20	12	130	28	159	1.9
25	PPA08	25	17.5	33	58	74	M6	M5	159	20	12	143	33	159	2.3
32	PPA15	25	17.5	33	68	94	M6	M5	178	20	12	150	36	211	3.0
40	PPA15	45	23.3	33	84	94	M8	M5	184	20	15	171	43	211	3.7
50	PPA40	45	23.3	33	97	120	M8	M5	213	20	15	191	45	246	4.6
63	PPA40	45	24.3	33	124	120	M8	M5	228	20	15	220	51	246	5.8
75	PPA80	70	28.5	33	166	142	M8	M5	277	20	15	266	68	343	8.2
90	PPA80	70	28.5	33	200	142	M8	M5	289	20	15	264	71	343	10.0
110	PPA80	120	28.5	33	238	142	M12	M5	324	20	22	301	82	343	12.0

d (mm)	V1 (mm)	X5 (mm)	X6 (mm)	X7 (mm)	X10 (mm)
20	27	80	30	43	38.0
25	30	80	30	43	41.9
32	36	80	30	51	47.0
40	44	80	30	51	53.5
50	51	80	30	62	62.8
63	64	80	30	62	77.0
75	85	80	30	74	119.0
90	105	80	30	74	131.0
110	123	80	30	74	145.0



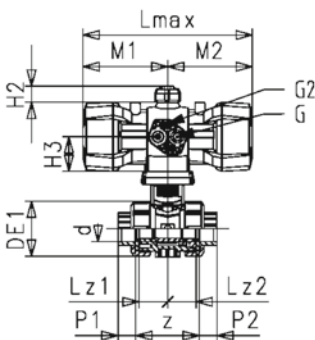
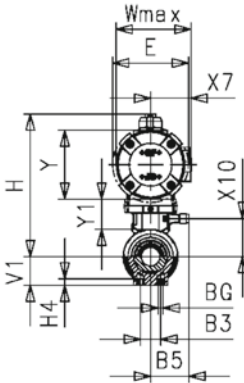
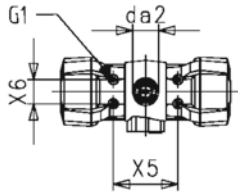
SYGEF Standard PVDF Ball valve type 546 Pro with PPA FC (Fail safe to close)
With fusion sockets metric

Model:

- Control pressure supply through integrated NAMUR interface according VDI/VDE 3845 with 5.6 bar (81.2 psi)
- Control time 90°<) 1-2s
- For easy installation and removal
- Integrated stainless steel mounting inserts
- Full plastic solution (actuator housing made of PP-GF)
- Visual position indicator
- Z-dimension, valve end and union nut are compatible with type 230 – 235 and 546 (1st Generation)

Option:

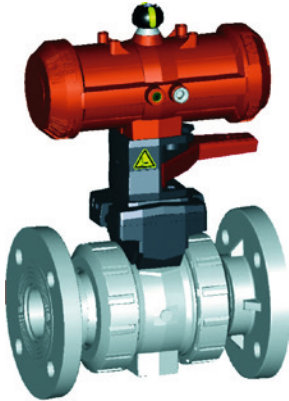
- Position feedback sensor, incl. LED feedback (DN10-50) - PNP, NPN and NAMUR
- Positioner RPC, RPC D, RPC PID
- Individual configuration of the valve



d (mm)	DN (mm)	PN (bar)	kv-value (Δp=1 bar) (l/min)	FKM Code	SP	Weight (kg)
16	10	10	70	199 252 132	1	1.200
20	15	10	185	199 252 133	1	1.079
25	20	10	350	199 252 134	1	1.300
32	25	10	700	199 252 135	1	1.322
40	32	10	1000	199 252 136	1	2.500
50	40	10	1600	199 252 137	1	3.216
63	50	10	3100	199 252 138	1	3.473

d (mm)	Actuator	DE1 (mm)	V1 (mm)	H4 (mm)	M1 (mm)	M2 (mm)	G2 (mm)	G (mm)	H3 (mm)	Lz1 (mm)	Lz2 (mm)	Lmax (mm)	E (mm)	Y1 (mm)
16	PPA08	50	27	12	80	80	M5	G 1/4	41	28	28	159	74	35
20	PPA08	50	27	12	80	80	M5	G 1/4	41	28	28	159	74	35
25	PPA08	58	30	12	80	80	M5	G 1/4	41	33	33	159	74	35
32	PPA15	68	36	12	106	106	M5	G 1/4	45	36	36	211	94	35
40	PPA15	84	44	15	106	106	M5	G 1/4	45	43	43	211	94	33
50	PPA40	97	51	15	123	123	M5	G 1/4	56	45	45	246	120	33
63	PPA40	124	64	15	123	123	M5	G 1/4	56	51	51	246	120	36

d (mm)	Y (mm)	H (mm)	X10 (mm)	B3 (mm)	BG (mm)	Wmax (mm)	G1 (mm)	da2 (mm)	X6 (mm)	X5 (mm)	X7 (mm)	H2 (mm)	P1 (mm)	P2 (mm)	z (mm)
16	75	155	35	25	M6	77	M5	33	30	80	43	20	13	13	67
20	75	155	35	25	M6	77	M5	33	30	80	43	20	14	14	67
25	75	159	35	25	M6	77	M5	33	30	80	43	20	16	16	76
32	88	178	35	25	M6	93	M5	33	30	80	51	20	18	18	82
40	88	184	33	45	M8	93	M5	33	30	80	51	20	20	20	96
50	111	213	33	45	M8	117	M5	33	30	80	62	20	23	23	101
63	111	228	36	45	M8	117	M5	33	30	80	62	20	27	27	114



DN10/15 - 50

SYGEF Standard Ball valve type 232
DA (Double acting)
With manual override
With fixed flanges PVDF serrated metric

Model:

- Material: PVDF
- Built on with pneumatic actuator PA11 (DN10/15-25), PA21 (DN32-50)
- Control time 90°<) 1-2s
- For easy installation and removal
- Integrated stainless steel mounting inserts
- Overall length EN 558
- Connecting dimension: ISO 7005 / EN 1092 / DIN 25 PN10 / BS4504

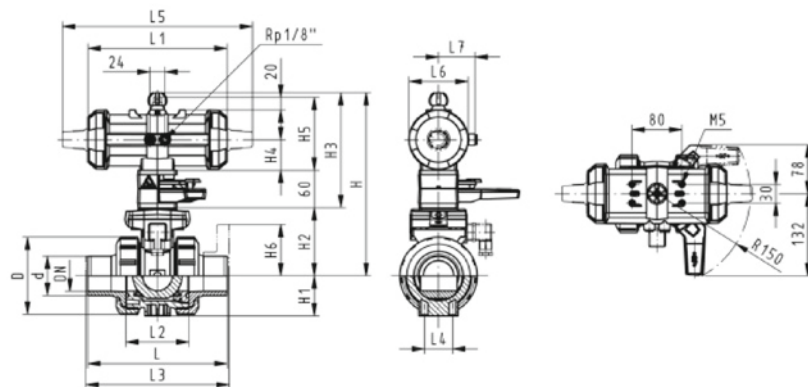
Option:

- Individual configuration of the valve

d (mm)	DN (mm)	Size (inch)	PN (bar)	kv-value ($\Delta p=1$ bar) (l/min)	FKM Code	SP	Weight (kg)
20	15	½	10	185	199 232 043	1	1.700
25	20	¾	10	350	199 232 044	1	1.900
32	25	1	10	700	199 232 045	1	2.100
40	32	1 ¼	10	1000	199 232 046	1	3.400
50	40	1 ½	10	1600	199 232 047	1	3.900
63	50	2	10	3100	199 232 048	1	5.000

d (mm)	D (mm)	H (mm)	H1 (mm)	H2 (mm)	H3 (mm)	H4 (mm)	H5 (mm)	H6 (mm)	L (mm)	L1 (mm)	L2 (mm)	L3 (mm)	L4 (mm)	L5 (mm)	L6 (mm)
20	50	230	27	62	168	40	77	48	124	194	56	130	25	261	76
25	58	239	30	71	168	40	77	53	144	194	65	150	25	261	76
32	68	239	36	71	168	40	77	58	154	194	71	160	25	261	76
40	84	271	44	84	187	51	99	70	174	224	85	180	45	305	95
50	97	271	51	84	187	51	99	75	194	224	89	200	45	305	95
63	124	293	64	106	187	51	99	83	224	224	101	230	45	305	95

d (mm)	L7 (mm)
20	48
25	48
32	48
40	59
50	59
63	59





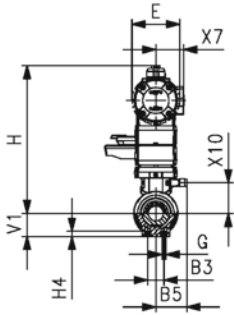
**SYGEF Standard PVDF Ball valve type 546 Pro with PPA
DA (Double Acting)
With butt fusion spigots PVDF ISO IR-PLUS
With manual override**

Model:

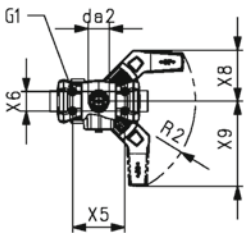
- Control pressure supply through integrated NAMUR interface according VDI/VDE 3845
- Full plastic solution (actuator housing made of PP-GF)
- Visual position indicator
- Integrated stainless steel mounting inserts
- z-dimension, valve end and union nut are compatible with type 546 (1st Generation)

Option:

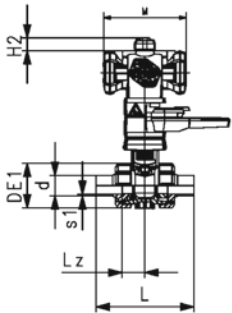
- Positioner feedback through double sensor with LED (PNP, NPN and NAMUR)
- Positioner RPC, RPC D, RPC PID
- Individual configuration of valves possible



d (mm)	DN (mm)	PN (bar)	Size (inch)	kv-value ($\Delta p=1$ bar) (l/min)	FKM Code	SP	Weight (kg)
20	15	10	1/2	185	199 252 793	1	1.200
25	20	10	3/4	350	199 252 794	1	1.300
32	25	10	1	700	199 252 795	1	1.400
40	32	10	1 1/4	1000	199 252 796	1	2.500
50	40	10	1 1/2	1600	199 252 797	1	2.800
63	50	10	2	3100	199 252 798	1	3.700



d	Actuator	B3	B5	da2	DE1	E	G	G1	H	H2	H4	L	Lz	M	R2
(mm)		(mm)	(mm)	(mm)	(mm)	(mm)	(mm)	(mm)	(mm)	(mm)	(mm)	(mm)	(mm)	(mm)	(mm)
20	PPA08	25	16.2	33	50	74	M6	M5	215	20	12	130	28	128	R150
25	PPA08	25	17.5	33	58	74	M6	M5	219	20	12	143	33	128	R150
32	PPA08	25	17.5	33	68	94	M6	M5	238	20	12	150	36	128	R150
40	PPA15	45	23.3	33	84	94	M8	M5	244	20	15	171	43	159	R150
50	PPA15	45	23.3	33	97	120	M8	M5	273	20	15	191	45	159	R150
63	PPA40	45	24.3	33	124	120	M8	M5	288	20	15	220	51	184	R150



d	s1	V1	X5	X6	X7	X8	X9	X10
(mm)	(mm)	(mm)	(mm)	(mm)	(mm)	(mm)	(mm)	(mm)
20	2.3	27	80	30	43	78	132	38.00
25	1.9	30	80	30	43	78	132	41.90
32	3.0	36	80	30	51	78	132	47.00
40	3.7	44	80	30	51	78	132	53.50
50	4.6	51	80	30	62	78	132	62.75
63	5.8	64	80	30	62	78	132	77.00



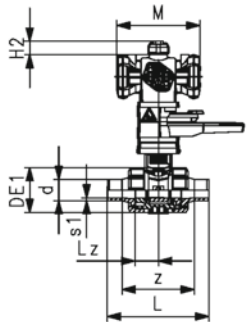
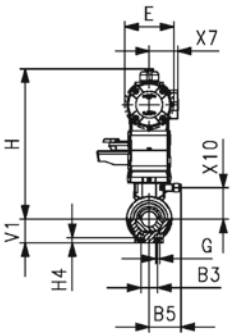
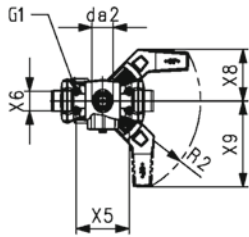
**SYGEF Standard PVDF Ball valve type 546 Pro with PPA
DA (Double Acting)
With socket fusion spigot PVDF ISO
With manual override**

Model:

- Control pressure supply through integrated NAMUR interface according VDI/VDE 3845
- Full plastic solution (actuator housing made of PP-GF)
- Visual position indicator
- Integrated stainless steel mounting inserts
- z-dimension, valve end and union nut are compatible with type 546 (1st Generation)

Option:

- Position feedback through double sensor with LED (PNP, NPN and NAMUR)
- Positioner RPC, RPC D, RPC PID
- Individual configuration of valves possible



d (mm)	DN (mm)	Size (inch)	PN (bar)	kv-value ($\Delta p=1$ bar) (l/min)	FKM Code	SP	Weight (kg)
16	10	3/8	10	70	199 252 112	1	1.500
20	15	1/2	10	185	199 252 113	1	1.500
25	20	3/4	10	350	199 252 114	1	1.600
32	25	1	10	700	199 252 115	1	1.700
40	32	1 1/4	10	1000	199 252 116	1	2.800
50	40	1 1/2	10	1600	199 252 117	1	3.100
63	50	2	10	3100	199 252 118	1	4.000

d (mm)	Actuator	B3 (mm)	B5 (mm)	da2 (mm)	DE1 (mm)	E (mm)	G (mm)	G1 (mm)	H (mm)	H2 (mm)	H4 (mm)	L (mm)	Lz (mm)	M (mm)	R2
16	PPA08	25	16.2	33	50	74	M6	M5	215	20	12	95	28	128	R150
20	PPA08	25	16.2	33	50	74	M6	M5	215	20	12	100	28	128	R150
25	PPA08	25	17.5	33	58	74	M6	M5	219	20	12	114	33	128	R150
32	PPA08	25	17.5	33	68	94	M6	M5	238	20	12	127	36	128	R150
40	PPA15	45	23.3	33	84	94	M8	M5	244	20	15	146	43	159	R150
50	PPA15	45	23.3	33	97	120	M8	M5	273	20	15	152	45	159	R150
63	PPA40	45	24.3	33	124	120	M8	M5	288	20	15	177	51	184	R150

d (mm)	V1 (mm)	X5 (mm)	X6 (mm)	X7 (mm)	X8 (mm)	X9 (mm)	X10 (mm)	z (mm)
16	27	80	30	43	78	132	38.00	67
20	27	80	30	43	78	132	38.00	66
25	30	80	30	43	78	132	41.90	77
32	36	80	30	51	78	132	47.00	83
40	44	80	30	51	78	132	53.50	99
50	51	80	30	62	78	132	62.75	105
63	64	80	30	62	78	132	77.00	117



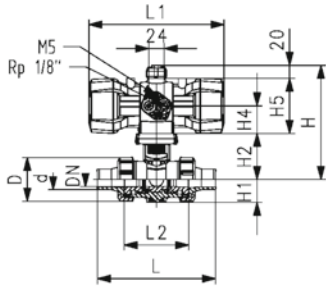
SYGEF Standard 3-Way ball valve type 543 Pro P
Horizontal/L-port
Without manual override
With butt fusion spigots IR-Plus metric

Model:

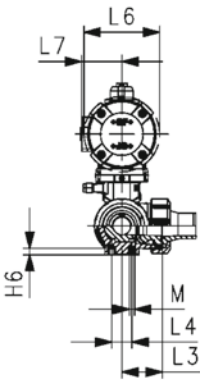
- Material: PVDF
- Actuator fails safe to the closed position FC
- Control pressure supply through integrated NAMUR interface according VDI/VDE 3845 with 5.6 bar (81.2 psi)
- Basic position B-C opened, activated position A-C opened, see flow scheme
- Control time 90° <) 1-2s
- For easy installation and removal
- Integrated stainless steel mounting inserts
- Full plastic solution (actuator housing made of PP-GF)
- Visual position indicator
- Z-dimension, valve end and union nut are compatible with types 285 – 288 and 543 (1st Generation)

Option:

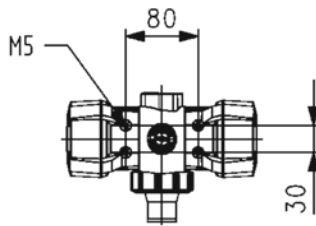
- Position feedback sensor, incl. LED feedback (DN10-50) - PNP, NPN and NAMUR
- Positioner RPC, RPC D, RPC PID
- Individual configuration of the valve



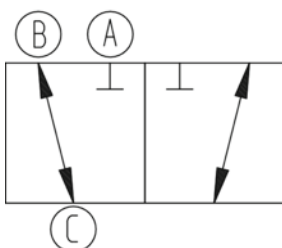
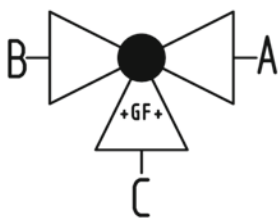
d (mm)	DN (mm)	Size (inch)	PN (bar)	kv-value (Δp=1 bar) (l/min)	FKM Code	SP	Weight (kg)
20	15	½	10	75	199 297 053	1	1.666
25	20	¾	10	150	199 297 054	1	1.369
32	25	1	10	280	199 297 055	1	1.623
40	32	1 ¼	10	480	199 297 056	1	2.710
50	40	1 ½	10	620	199 297 057	1	3.294
63	50	2	10	1230	199 297 058	1	4.982



d (mm)	Actuator	D (mm)	H (mm)	H1 (mm)	H2 (mm)	H3 (mm)	H4 (mm)	H5 (mm)	H6 (mm)	L (mm)	L1 (mm)	L2 (mm)	L3 (mm)	L4 (mm)	L6 (mm)
20	PPA08	50	157	28	62	95	41	75	8	146	159	72	36	25	74
25	PPA15	58	179	32	71	108	45	88	8	163	211	85	43	25	94
32	PPA15	68	179	36	71	108	45	88	8	178	211	98	49	25	94
40	PPA40	84	215	45	84	131	56	111	9	204	246	118	59	45	120
50	PPA40	97	215	51	84	131	56	111	9	237	246	135	68	45	120
63	PPA40	124	237	65	106	131	56	111	9	296	246	176	88	45	120



d (mm)	L7 (mm)	M (mm)	closest inch (inch)
20	32	6	½
25	38	6	¾
32	38	6	1
40	47	8	1 ¼
50	47	8	1 ½
63	47	8	2





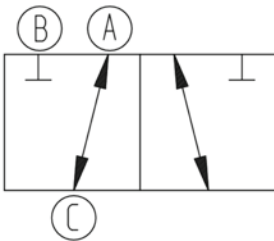
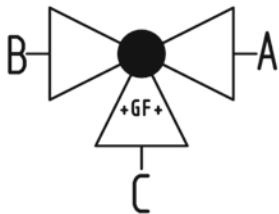
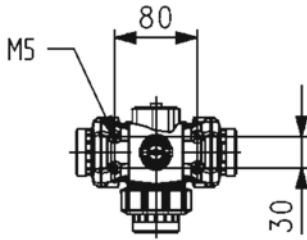
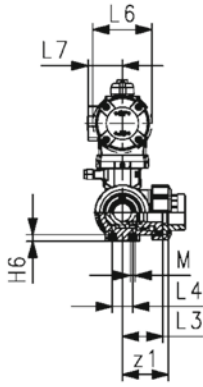
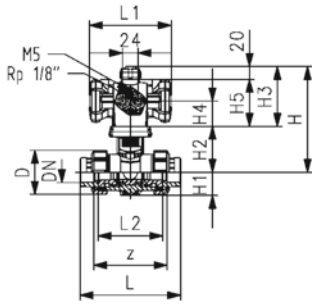
SYGEF Standard 3-Way ball valve type 543 Pro P
Horizontal/L-port
DA (Double acting)
Without manual override
With threaded sockets NPT

Model:

- Material: PVDF
- Control pressure supply through integrated NAMUR interface according VDI/VDE 3845 with 5.6 bar (81.2 psi)
- Basic position A-C opened, activated position B-C opened, see flow scheme
- Control time 90° <) 1-2s
- For easy installation and removal
- Integrated stainless steel mounting inserts
- Full plastic solution (actuator housing made of PP-GF)
- Visual position indicator
- Z-dimension, valve end and union nut are compatible with types 285 – 288 and 543 (1st Generation)

Option:

- Position feedback sensor, incl. LED feedback (DN10-50) - PNP, NPN and NAMUR
- Positioner RPC, RPC D, RPC PID
- Individual configuration of the valve



d (mm)	DN (mm)	Thread Type	Size (inch)	PN (bar)	kv-value ($\Delta p=1$ bar) (L/min)	FKM Code	SP	Weight (kg)
16	10	NPT	3/8	10	50	199 297 262	1	0.992
20	15	NPT	1/2	10	75	199 297 263	1	1.001
25	20	NPT	3/4	10	150	199 297 264	1	1.159
32	25	NPT	1	10	280	199 297 265	1	1.403
40	32	NPT	1 1/4	10	480	199 297 266	1	2.376
50	40	NPT	1 1/2	10	620	199 297 267	1	2.955
63	50	NPT	2	10	1230	199 297 268	1	4.685

Actuator	D (mm)	H (mm)	H1 (mm)	H2 (mm)	H3 (mm)	H4 (mm)	H5 (mm)	H6 (mm)	L (mm)	L1 (mm)	L2 (mm)	L3 (mm)	L4 (mm)	L6 (mm)
PPA08	50	157	28	62	95	41	75	8	112	128	72	36	25	74
PPA08	50	157	28	62	95	41	75	8	114	128	72	36	25	74
PPA08	58	166	32	71	95	41	75	8	131	128	85	43	25	74
PPA08	68	166	36	71	95	41	75	8	154	128	98	49	25	74
PPA15	84	192	45	84	108	45	88	9	180	165	118	59	45	94
PPA15	97	192	51	84	108	45	88	9	203	165	135	68	45	94
PPA15	124	237	65	106	131	56	111	9	258	184	176	88	45	120

L7 (mm)	M	z (mm)	z1 (mm)
32	6	86	43
32	6	80	40
32	6	95	48
32	6	110	55
38	8	132	66
38	8	157	79
47	8	210	105



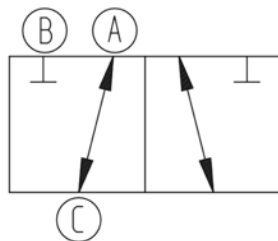
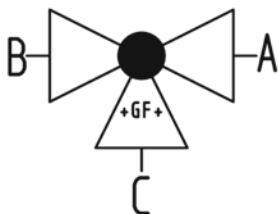
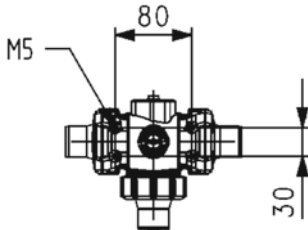
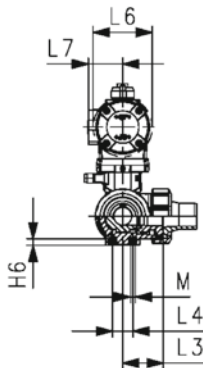
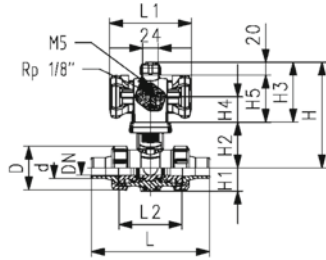
SYGEF Standard 3-Way ball valve type 543 Pro P
Horizontal/L-port
DA (Double acting)
Without manual override
With socket fusion spigots metric

Model:

- Material: PVDF
- Control pressure supply through integrated NAMUR interface according VDI/VDE 3845 with 5.6 bar (81.2 psi)
- Basic position A-C opened, activated position B-C opened, see flow scheme
- Control time 90° <) 1-2s
- For easy installation and removal
- Integrated stainless steel mounting inserts
- Full plastic solution (actuator housing made of PP-GF)
- Visual position indicator
- Z-dimension, valve end and union nut are compatible with types 285 – 288 and 543 (1st Generation)

Option:

- Position feedback sensor, incl. LED feedback (DN10-50) - PNP, NPN and NAMUR
- Positioner RPC, RPC D, RPC PID
- Individual configuration of the valve



d (mm)	DN (mm)	Size (inch)	PN (bar)	kv-value (Δp=1 bar) (l/min)	FKM Code	SP	Weight (kg)
16	10	3/8	10	50	199 297 132	1	1.001
20	15	1/2	10	75	199 297 133	1	1.012
25	20	3/4	10	150	199 297 134	1	1.179
32	25	1	10	280	199 297 135	1	1.433
40	32	1 1/4	10	480	199 297 136	1	2.403
50	40	1 1/2	10	620	199 297 137	1	3.036
63	50	2	10	1230	199 297 138	1	4.847

d (mm)	Actuator	D (mm)	H (mm)	H1 (mm)	H2 (mm)	H3 (mm)	H4 (mm)	H5 (mm)	H6 (mm)	L (mm)	L1 (mm)	L2 (mm)	L3 (mm)	L4 (mm)	L6 (mm)
16	PPA08	50	157	28	62	95	41	75	8	126	128	72	36	25	74
20	PPA08	50	157	28	62	95	41	75	8	136	128	72	36	25	74
25	PPA08	58	166	32	71	95	41	75	8	159	128	85	43	25	74
32	PPA08	68	166	36	71	95	41	75	8	178	128	98	49	25	74
40	PPA15	84	192	45	84	108	45	88	9	204	165	118	59	45	94
50	PPA15	97	192	51	84	108	45	88	9	237	165	135	68	45	94
63	PPA40	124	237	65	106	131	56	111	9	296	184	176	88	45	120

d (mm)	L7 (mm)	M	closest inch (inch)
16	32	6	3/8
20	32	6	1/2
25	32	6	3/4
32	32	6	1
40	38	8	1 1/4
50	38	8	1 1/2
63	47	8	2



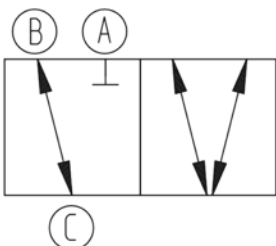
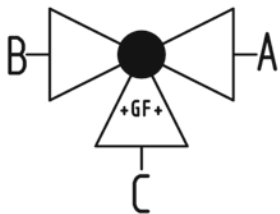
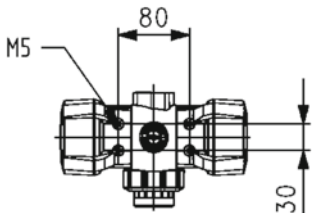
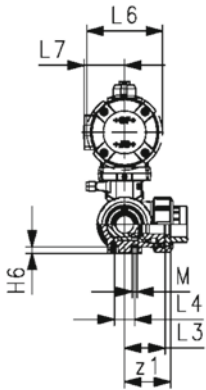
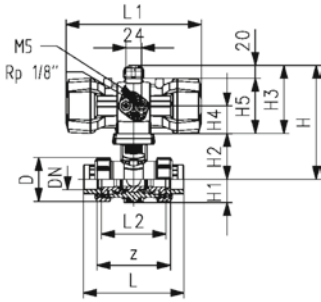
SYGEF Standard 3-Way ball valve type 543 Pro P
Horizontal/T-port
Without manual override
With threaded sockets NPT

Model:

- Material: PVDF
- Actuator fails safe to the closed position FC
- Control pressure supply through integrated NAMUR interface according VDI/VDE 3845 with 5.6 bar (81.2 psi)
- Basic position B-C opened, activated position A-B-C opened, see flow scheme
- Control time 90° <) 1-2s
- For easy installation and removal
- Integrated stainless steel mounting inserts
- Full plastic solution (actuator housing made of PP-GF)
- Visual position indicator
- Z-dimension, valve end and union nut are compatible with types 285 – 288 and 543 (1st Generation)

Option:

- Position feedback sensor, incl. LED feedback (DN10-50) - PNP, NPN and NAMUR
- Positioner RPC, RPC D, RPC PID
- Individual configuration of the valve



d	DN	Size	PN	kv-value	Thread Type	FKM	SP	Weight
(mm)	(mm)	(inch)	(bar)	($\Delta p=1$ bar)		Code		(kg)
(L/min)								
16	10	3/8	10	140	NPT	199 297 252	1	1.182
20	15	1/2	10	200	NPT	199 297 253	1	1.189
25	20	3/4	10	470	NPT	199 297 254	1	1.347
32	25	1	10	793	NPT	199 297 255	1	1.584
40	32	1 1/4	10	1290	NPT	199 297 256	1	2.786
50	40	1 1/2	10	1910	NPT	199 297 257	1	3.352
63	50	2	10	3100	NPT	199 297 258	1	5.052

Actuator	D	H	H1	H2	H3	H4	H5	H6	L	L1	L2	L3	L4	L6
	(mm)	(mm)	(mm)	(mm)	(mm)	(mm)	(mm)	(mm)	(mm)	(mm)	(mm)	(mm)	(mm)	(mm)
PPA08	50	157	28	62	95	41	75	8	112	159	72	36	25	74
PPA08	50	157	28	62	95	41	75	8	114	159	72	36	25	74
PPA15	58	179	32	71	108	45	88	8	131	211	85	43	25	94
PPA15	68	179	36	71	108	45	88	8	154	211	98	49	25	94
PPA40	84	215	45	84	131	56	111	9	180	246	118	59	45	120
PPA40	97	215	51	84	131	56	111	9	203	246	135	68	45	120
PPA40	124	237	65	106	131	56	111	9	258	246	176	88	45	120

L7	M	z	z1
(mm)	(mm)	(mm)	(mm)
32	6	86	43
32	6	80	40
38	6	95	48
38	6	110	55
47	8	132	66
47	8	157	79
47	8	210	105



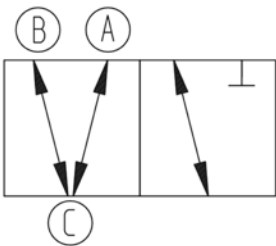
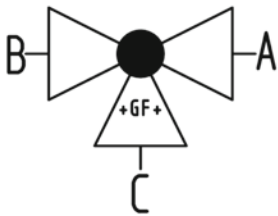
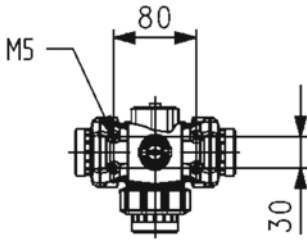
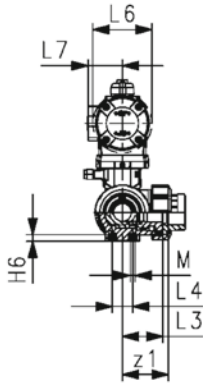
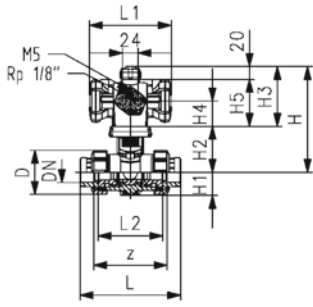
SYGEF Standard 3-Way ball valve type 543 Pro P
Horizontal/T-port
DA (Double acting)
Without manual override
With threaded sockets NPT

Model:

- Material: PVDF
- Control pressure supply through integrated NAMUR interface according VDI/VDE 3845 with 5.6 bar (81.2 psi)
- Basic position A-B-C opened, activated position B-C opened, see flow scheme
- Control time 90° <) 1-2s
- For easy installation and removal
- Integrated stainless steel mounting inserts
- Full plastic solution (actuator housing made of PP-GF)
- Visual position indicator
- Z-dimension, valve end and union nut are compatible with types 285 – 288 and 543 (1st Generation)

Option:

- Position feedback sensor, incl. LED feedback (DN10-50) - PNP, NPN and NAMUR
- Positioner RPC, RPC D, RPC PID
- Individual configuration of the valve



Size (inch)	d (mm)	DN (mm)	PN (bar)	kv-value ($\Delta p=1$ bar) (l/min)	Thread Type	FKM Code	SP	Weight (kg)
3/8	16	10	10	140	NPT	199 297 272	1	0.991
1/2	20	15	10	200	NPT	199 297 273	1	0.999
3/4	25	20	10	470	NPT	199 297 274	1	1.157
1	32	25	10	793	NPT	199 297 275	1	1.394
1 1/4	40	32	10	1290	NPT	199 297 276	1	2.362
1 1/2	50	40	10	1910	NPT	199 297 277	1	2.928
2	63	50	10	3100	NPT	199 297 278	1	4.628

Actuator	D (mm)	H (mm)	H1 (mm)	H2 (mm)	H3 (mm)	H4 (mm)	H5 (mm)	H6 (mm)	L (mm)	L1 (mm)	L2 (mm)	L3 (mm)	L4 (mm)	L6 (mm)
PPA08	50	157	28	62	95	41	75	8	112	128	72	36	25	74
PPA08	50	157	28	62	95	41	75	8	114	128	72	36	25	74
PPA08	58	166	32	71	95	41	75	8	131	128	85	43	25	74
PPA08	68	166	36	71	95	41	75	8	154	128	98	49	25	74
PPA15	84	192	45	84	108	45	88	9	180	165	118	59	45	94
PPA15	97	192	51	84	108	45	88	9	203	165	135	68	45	94
PPA40	124	237	65	106	131	56	111	9	258	184	176	88	45	120

L7 (mm)	M	z (mm)	z1 (mm)
32	6	86	43
32	6	80	40
32	6	95	48
32	6	110	55
38	8	132	66
38	8	157	79
47	8	210	105



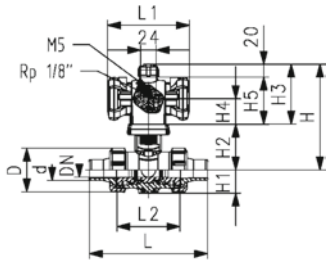
SYGEF Standard 3-Way ball valve type 543 Pro P
Horizontal/T-port
DA (Double acting)
Without manual override
With butt fusion spigots IR-Plus metric

Model:

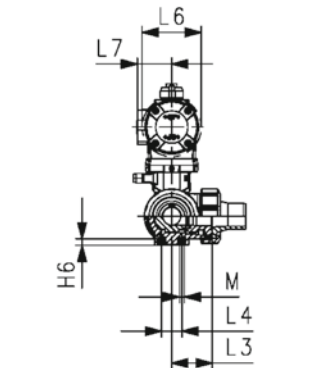
- Material: PVDF
- Control pressure supply through integrated NAMUR interface according VDI/VDE 3845 with 5.6 bar (81.2 psi)
- Basic position A-B-C opened, activated position B-C opened, see flow scheme
- Control time 90° <) 1-2s
- For easy installation and removal
- Integrated stainless steel mounting inserts
- Full plastic solution (actuator housing made of PP-GF)
- Visual position indicator
- Z-dimension, valve end and union nut are compatible with types 285 – 288 and 543 (1st Generation)

Option:

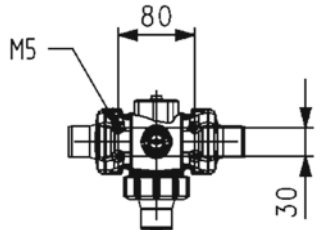
- Position feedback sensor, incl. LED feedback (DN10-50) - PNP, NPN and NAMUR
- Positioner RPC, RPC D, RPC PID
- Individual configuration of the valve



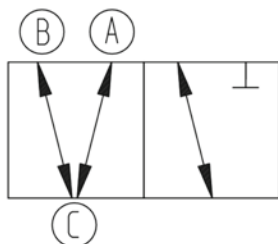
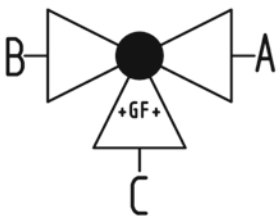
d (mm)	DN (mm)	Size (inch)	PN (bar)	kv-value (Δp=1 bar) (L/min)	FKM Code	SP	Weight (kg)
20	15	½	10	140	199 297 193	1	1.011
25	20	¾	10	200	199 297 194	1	1.176
32	25	1	10	470	199 297 195	1	1.425
40	32	1 ¼	10	793	199 297 196	1	2.389
50	40	1 ½	10	1290	199 297 197	1	3.009
63	50	2	10	3100	199 297 198	1	4.789



d (mm)	Actuator	D (mm)	H (mm)	H1 (mm)	H2 (mm)	H3 (mm)	H4 (mm)	H5 (mm)	H6 (mm)	L (mm)	L1 (mm)	L2 (mm)	L3 (mm)	L4 (mm)	L6 (mm)
20	PPA08	50	157	28	62	95	41	75	8	146	128	72	36	25	74
25	PPA08	58	166	32	71	95	41	75	8	163	128	85	43	25	74
32	PPA08	68	166	36	71	95	41	75	8	178	128	98	49	25	74
40	PPA15	84	192	45	84	108	45	88	9	204	165	118	59	45	94
50	PPA15	97	192	51	84	108	45	88	9	237	165	135	68	45	94
63	PPA40	124	237	65	106	131	56	111	9	296	184	176	88	45	120



d (mm)	L7 (mm)	M	closest inch (inch)
20	32	6	½
25	32	6	¾
32	32	6	1
40	38	8	1 ¼
50	38	8	1 ½
63	47	8	2





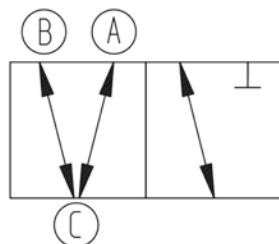
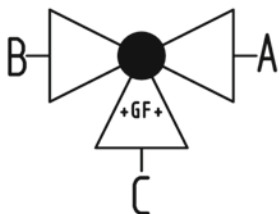
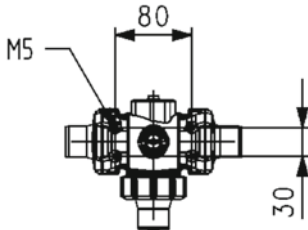
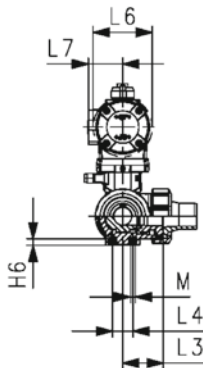
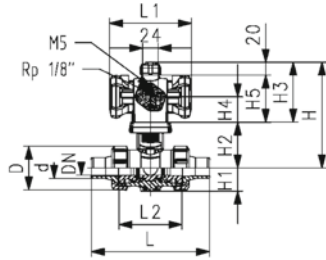
SYGEF Standard 3-Way ball valve type 543 Pro P
Horizontal/T-port
DA (Double acting)
Without manual override
With socket fusion spigots metric

Model:

- Material: PVDF
- Control pressure supply through integrated NAMUR interface according VDI/VDE 3845 with 5.6 bar (81.2 psi)
- Basic position A-B-C opened, activated position B-C opened, see flow scheme
- Control time 90° <) 1-2s
- For easy installation and removal
- Integrated stainless steel mounting inserts
- Full plastic solution (actuator housing made of PP-GF)
- Visual position indicator
- Z-dimension, valve end and union nut are compatible with types 285 – 288 and 543 (1st Generation)

Option:

- Position feedback sensor, incl. LED feedback (DN10-50) - PNP, NPN and NAMUR
- Positioner RPC, RPC D, RPC PID
- Individual configuration of the valve



d (mm)	DN (mm)	Size (inch)	PN (bar)	kv-value (Δp=1 bar) (l/min)	FKM Code	SP	Weight (kg)
16	10	3/8	10	140	199 297 152	1	0.999
20	15	1/2	10	200	199 297 153	1	1.011
25	20	3/4	10	470	199 297 154	1	1.176
32	25	1	10	793	199 297 155	1	1.425
40	32	1 1/4	10	1290	199 297 156	1	2.389
50	40	1 1/2	10	1910	199 297 157	1	3.009
63	50	2	10	3100	199 297 158	1	4.789

d (mm)	Actuator	D (mm)	H (mm)	H1 (mm)	H2 (mm)	H3 (mm)	H4 (mm)	H5 (mm)	H6 (mm)	L (mm)	L1 (mm)	L2 (mm)	L3 (mm)	L4 (mm)	L6 (mm)
16	PPA08	50	157	28	62	95	41	75	8	126	128	72	36	25	74
20	PPA08	50	157	28	62	95	41	75	8	136	128	72	36	25	74
25	PPA08	58	166	32	71	95	41	75	8	159	128	85	43	25	74
32	PPA08	68	166	36	71	95	41	75	8	178	128	98	49	25	74
40	PPA15	84	192	45	84	108	45	88	9	204	165	118	59	45	94
50	PPA15	97	192	51	84	108	45	88	9	237	165	135	68	45	94
63	PPA40	124	237	65	106	131	56	111	9	296	184	176	88	45	120

d (mm)	L7 (mm)	M	closest inch (inch)
16	32	6	3/8
20	32	6	1/2
25	32	6	3/4
32	32	6	1
40	38	8	1 1/4
50	38	8	1 1/2
63	47	8	2



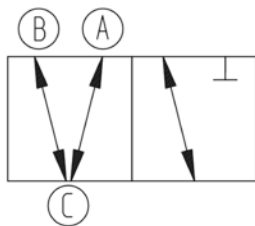
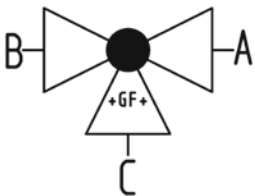
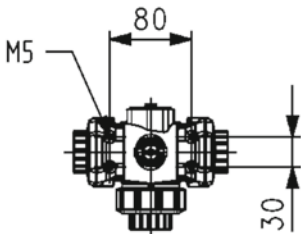
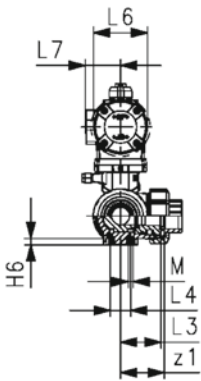
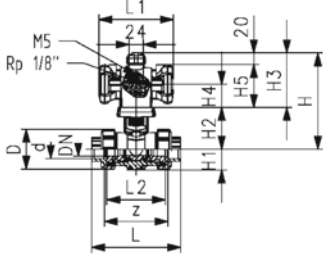
SYGEF Standard 3-Way ball valve type 543 Pro P
Horizontal/T-port
DA (Double acting)
Without manual override
With fusion sockets metric

Model:

- Material: PVDF
- Control pressure supply through integrated NAMUR interface according VDI/VDE 3845 with 5.6 bar (81.2 psi)
- Basic position A-B-C opened, activated position B-C opened, see flow scheme
- Control time 90° <) 1-2s
- For easy installation and removal
- Integrated stainless steel mounting inserts
- Full plastic solution (actuator housing made of PP-GF)
- Visual position indicator
- Z-dimension, valve end and union nut are compatible with types 285 – 288 and 543 (1st Generation)

Option:

- Position feedback sensor, incl. LED feedback (DN10-50) - PNP, NPN and NAMUR
- Positioner RPC, RPC D, RPC PID
- Individual configuration of the valve



d	DN	Size	PN	kv-value	FKM	SP	Weight
(mm)	(mm)	(inch)	(bar)	($\Delta p=1$ bar)	Code		(kg)
				(l/min)			
16	10	3/8	10	140	199 297 232	1	0.991
20	15	1/2	10	200	199 297 233	1	0.999
25	20	3/4	10	470	199 297 234	1	1.157
32	25	1	10	793	199 297 235	1	1.394
40	32	1 1/4	10	1290	199 297 236	1	2.362
50	40	1 1/2	10	1910	199 297 237	1	2.928
63	50	2	10	3100	199 297 238	1	4.628

d	Actuator	D	H	H1	H2	H3	H4	H5	H6	L	L1	L2	L3	L4	L6
(mm)		(mm)	(mm)	(mm)	(mm)	(mm)	(mm)	(mm)	(mm)	(mm)	(mm)	(mm)	(mm)	(mm)	(mm)
16	PPA08	50	157	28	62	95	41	75	8	110	128	72	36	25	74
20	PPA08	50	157	28	62	95	41	75	8	112	128	72	36	25	74
25	PPA08	58	166	32	71	95	41	75	8	129	128	85	43	25	74
32	PPA08	68	166	36	71	95	41	75	8	146	128	98	49	25	74
40	PPA15	84	192	45	84	108	45	88	9	170	165	118	59	45	94
50	PPA15	97	192	51	84	108	45	88	9	193	165	135	68	45	94
63	PPA40	124	237	65	106	131	56	111	9	244	184	176	88	45	120

d	L7	M	z	z1	closest
(mm)	(mm)		(mm)	(mm)	inch
					(inch)
16	32	6	82	41	3/8
20	32	6	82	41	1/2
25	32	6	97	49	3/4
32	32	6	110	55	1
40	38	8	132	66	1 1/4
50	38	8	151	76	1 1/2
63	47	8	188	94	2



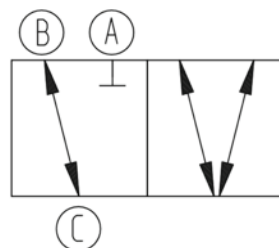
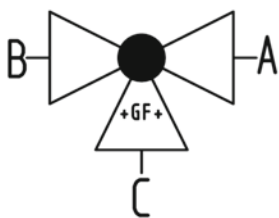
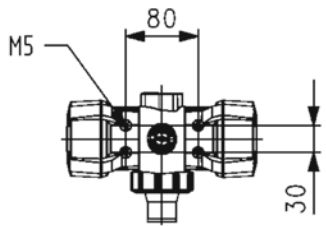
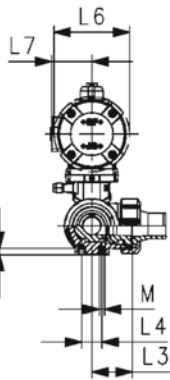
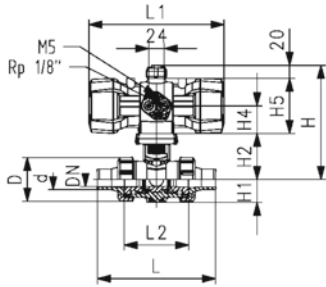
SYGEF Standard 3-Way ball valve type 543 Pro P
Horizontal/T-port
Without manual override
With socket fusion spigots metric

Model:

- Material: PVDF
- Actuator fails safe to the closed position FC
- Control pressure supply through integrated NAMUR interface according VDI/VDE 3845 with 5.6 bar (81.2 psi)
- Basic position B-C opened, activated position A-B-C opened, see flow scheme
- Control time 90° <) 1-2s
- For easy installation and removal
- Integrated stainless steel mounting inserts
- Full plastic solution (actuator housing made of PP-GF)
- Visual position indicator
- Z-dimension, valve end and union nut are compatible with types 285 – 288 and 543 (1st Generation)

Option:

- Position feedback sensor, incl. LED feedback (DN10-50) - PNP, NPN and NAMUR
- Positioner RPC, RPC D, RPC PID
- Individual configuration of the valve



d (mm)	DN (mm)	Size (inch)	PN (bar)	kv-value (Δp=1 bar) (l/min)	FKM Code	SP	Weight (kg)
16	10	3/8	10	140	199 297 032	1	1.189
20	15	1/2	10	200	199 297 033	1	1.201
25	20	3/4	10	470	199 297 034	1	1.366
32	25	1	10	793	199 297 035	1	1.615
40	32	1 1/4	10	1290	199 297 036	1	2.813
50	40	1 1/2	10	1910	199 297 037	1	3.433
63	50	2	10	3100	199 297 038	1	5.213

d (mm)	Actuator	D (mm)	H (mm)	H1 (mm)	H2 (mm)	H3 (mm)	H4 (mm)	H5 (mm)	H6 (mm)	L (mm)	L1 (mm)	L2 (mm)	L3 (mm)	L4 (mm)	L6 (mm)
16	PPA08	50	157	28	62	95	41	75	8	126	159	72	36	25	74
20	PPA08	50	157	28	62	95	41	75	8	136	159	72	36	25	74
25	PPA15	58	179	32	71	108	45	88	8	159	211	85	43	25	94
32	PPA15	68	179	36	71	108	45	88	8	178	211	98	49	25	94
40	PPA40	84	215	45	84	131	56	111	9	204	246	118	59	45	120
50	PPA40	97	215	51	84	131	56	111	9	237	246	135	68	45	120
63	PPA40	124	237	65	106	131	56	111	9	296	246	176	88	45	120

d (mm)	L7 (mm)	M (mm)	closest inch (inch)
16	32	6	3/8
20	32	6	1/2
25	38	6	3/4
32	38	6	1
40	47	8	1 1/4
50	47	8	1 1/2
63	47	8	2



SYGEF Standard 3-Way ball valve type 543 Pro P

Horizontal/T-port

Without manual override

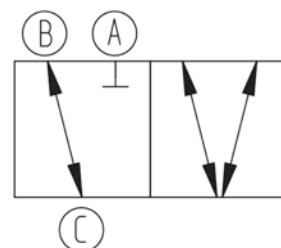
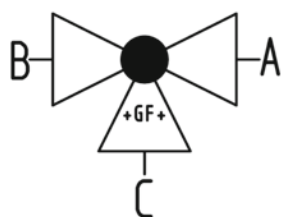
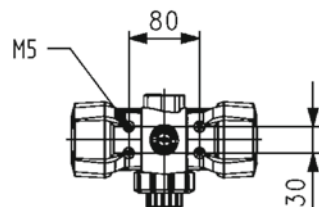
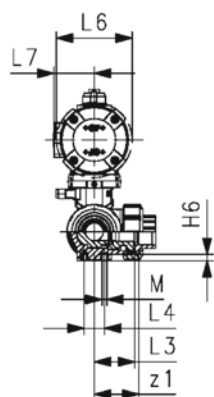
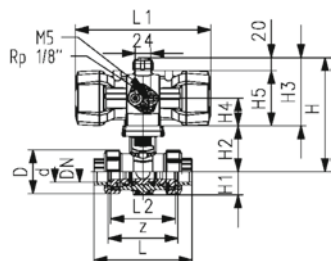
With fusion sockets metric

Model:

- Material: PVDF
- Actuator fails safe to the closed position FC
- Control pressure supply through integrated NAMUR interface according VDI/VDE 3845 with 5.6 bar (81.2 psi)
- Basic position B-C opened, activated position A-B-C opened, see flow scheme
- Control time 90° <) 1-2s
- For easy installation and removal
- Integrated stainless steel mounting inserts
- Full plastic solution (actuator housing made of PP-GF)
- Visual position indicator
- Z-dimension, valve end and union nut are compatible with types 285 – 288 and 543 (1st Generation)

Option:

- Position feedback sensor, incl. LED feedback (DN10-50) - PNP, NPN and NAMUR
- Positioner RPC, RPC D, RPC PID
- Individual configuration of the valve



d (mm)	DN (mm)	Size (inch)	PN (bar)	kv-value (Δp=1 bar) (l/min)	FKM Code	SP	Weight (kg)
16	10	3/8	10	140	199 297 112	1	1.182
20	15	1/2	10	200	199 297 113	1	1.189
25	20	3/4	10	470	199 297 114	1	1.347
32	25	1	10	793	199 297 115	1	1.584
40	32	1 1/4	10	1290	199 297 116	1	2.786
50	40	1 1/2	10	1910	199 297 117	1	3.154
63	50	2	10	3100	199 297 118	1	5.052

d (mm)	Actuator	D (mm)	H (mm)	H1 (mm)	H2 (mm)	H3 (mm)	H4 (mm)	H5 (mm)	H6 (mm)	L (mm)	L1 (mm)	L2 (mm)	L3 (mm)	L4 (mm)	L6 (mm)
16	PPA08	50	157	28	62	95	41	75	8	110	159	72	36	25	74
20	PPA08	50	157	28	62	95	41	75	8	112	159	72	36	25	74
25	PPA15	58	179	32	71	108	45	88	8	129	211	85	43	25	94
32	PPA15	68	179	36	71	108	45	88	8	146	211	98	49	25	94
40	PPA40	84	215	45	84	131	56	111	9	170	246	118	59	45	120
50	PPA40	97	215	51	84	131	56	111	9	193	246	135	68	45	120
63	PPA40	124	237	65	106	131	56	111	9	244	246	176	88	45	120

d (mm)	L7 (mm)	M	z (mm)	z1 (mm)	closest inch (inch)
16	32	6	82	41	3/8
20	32	6	82	41	1/2
25	38	6	97	49	3/4
32	38	6	110	55	1
40	47	8	132	66	1 1/4
50	47	8	151	76	1 1/2
63	47	8	188	94	2



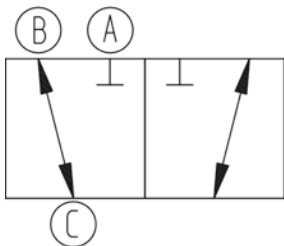
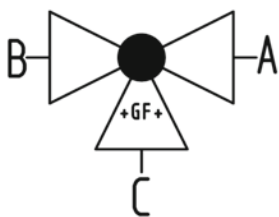
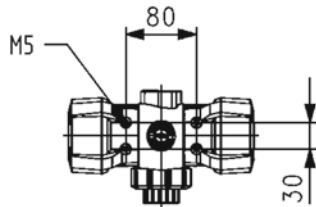
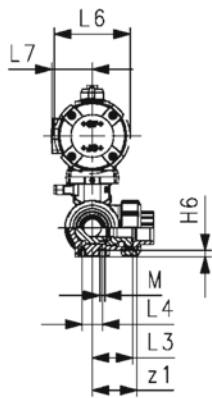
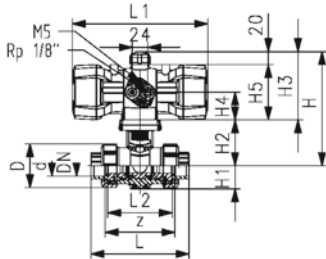
SYGEF Standard 3-Way ball valve type 543 Pro P
Horizontal/L-port
Without manual override
With fusion sockets metric

Model:

- Material: PVDF
- Actuator fails safe to the closed position FC
- Control pressure supply through integrated NAMUR interface according VDI/VDE 3845 with 5.6 bar (81.2 psi)
- Basic position B-C opened, activated position A-C opened, see flow scheme
- Control time 90° <) 1-2s
- For easy installation and removal
- Integrated stainless steel mounting inserts
- Full plastic solution (actuator housing made of PP-GF)
- Visual position indicator
- Z-dimension, valve end and union nut are compatible with types 285 – 288 and 543 (1st Generation)

Option:

- Position feedback sensor, incl. LED feedback (DN10-50) - PNP, NPN and NAMUR
- Positioner RPC, RPC D, RPC PID
- Individual configuration of the valve



d (mm)	DN (mm)	Size (inch)	PN (bar)	kv-value (Δp=1 bar) (l/min)	FKM Code	SP	Weight (kg)
16	10	3/8	10	50	199 297 092	1	1.183
20	15	1/2	10	75	199 297 093	1	1.191
25	20	3/4	10	150	199 297 094	1	1.349
32	25	1	10	280	199 297 095	1	1.593
40	32	1 1/4	10	480	199 297 096	1	2.800
50	40	1 1/2	10	620	199 297 097	1	3.379
63	50	2	10	1230	199 297 098	1	5.109

d (mm)	Actuator	D (mm)	H (mm)	H1 (mm)	H2 (mm)	H3 (mm)	H4 (mm)	H5 (mm)	H6 (mm)	L (mm)	L1 (mm)	L2 (mm)	L3 (mm)	L4 (mm)	L6 (mm)
16	PPA08	50	157	28	62	95	41	75	8	110	159	72	36	25	74
20	PPA08	50	157	28	62	95	41	75	8	112	159	72	36	25	74
25	PPA15	58	179	32	71	108	45	88	8	129	211	85	43	25	94
32	PPA15	68	179	36	71	108	45	88	8	146	211	98	49	25	94
40	PPA40	84	215	45	84	131	56	111	9	170	246	118	59	45	120
50	PPA40	97	215	51	84	131	56	111	9	193	246	135	68	45	120
63	PPA40	124	237	65	106	131	56	111	9	244	246	176	88	45	120

d (mm)	L7 (mm)	M (mm)	z (mm)	z1 (mm)	closest inch (inch)
16	32	6	82	41	3/8
20	32	6	82	41	1/2
25	38	6	97	49	3/4
32	38	6	110	55	1
40	47	8	132	66	1 1/4
50	47	8	151	76	1 1/2
63	47	8	188	94	2



DN10/15 - 50

SYGEF Standard Ball valve type 232
DA (Double acting)
With manual override
With fusion sockets metric

Model:

- Material: PVDF
- Built on with pneumatic actuator PA11 (DN10/15-25), PA21 (DN32-50)
- Control time $90^\circ <$ 1-2s
- For easy installation and removal
- Integrated stainless steel mounting inserts

Option:

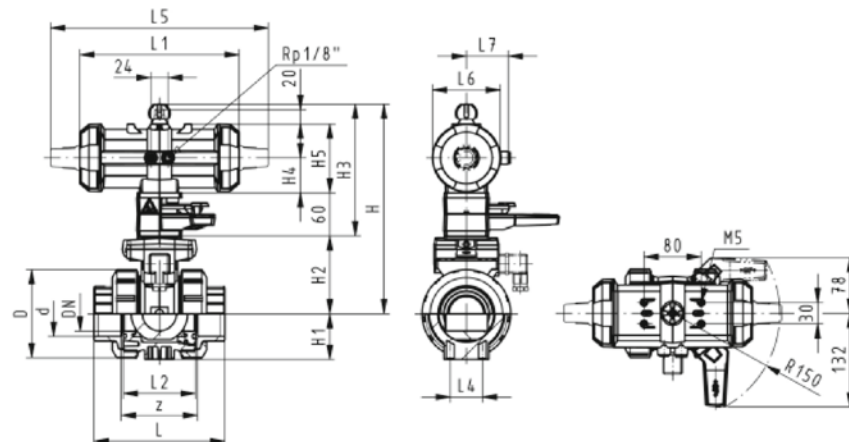
- Individual configuration of the valve

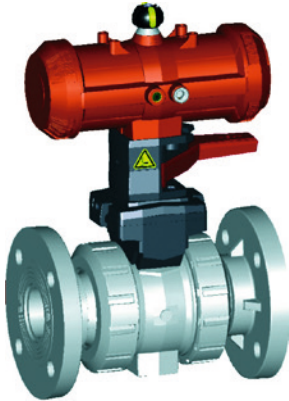
d (mm)	DN (mm)	PN (bar)	kv-value ($\Delta p=1$ bar) (l/min)	FKM Code	SP	Weight (kg)
16	10	10	70	199 232 092	1	1.500
20	15	10	185	199 232 093	1	1.500
25	20	10	350	199 232 094	1	1.600
32	25	10	700	199 232 095	1	1.331
40	32	10	1000	199 232 096	1	2.800
50	40	10	1600	199 232 097	1	3.100
63	50	10	3100	199 232 098	1	4.000

d (mm)	D (mm)	H (mm)	H1 (mm)	H2 (mm)	H3 (mm)	H4 (mm)	H5 (mm)	L (mm)	L1 (mm)	L2 (mm)	L4 (mm)	L5 (mm)	L6 (mm)	L7 (mm)	z (mm)
16	50	230	27	62	168	40	77	93	194	56	25	261	76	48	67
20	50	230	27	62	168	40	77	95	194	56	25	261	76	48	66
25	58	239	30	71	168	40	77	109	194	65	25	261	76	48	77
32	68	239	36	71	168	40	77	119	194	71	25	261	76	48	83
40	84	271	44	84	187	51	99	135	224	85	45	305	95	59	99
50	97	271	51	84	187	51	99	147	224	89	45	305	95	59	105
63	124	293	64	106	187	51	99	168	224	101	45	305	95	59	117

d closest
(mm) inch
(inch)

16	3/4
20	1/2
25	3/4
32	1
40	1 1/4
50	1 1/2
63	2





DN10/15 - 50

SYGFE Standard Ball valve type 232
FO (Fail safe to open)
With manual override
With fixed flanges PVDF serrated metric

Model:

- Material: PVDF
- Built on with pneumatic actuator PA11 (DN10/15-25), PA21 (DN32-50)
- Control time 90°<) 1-2s
- For easy installation and removal
- Integrated stainless steel mounting inserts
- Overall length EN 558
- Connecting dimension: ISO 7005 / EN 1092 / DIN 25 PN10 / BS4504

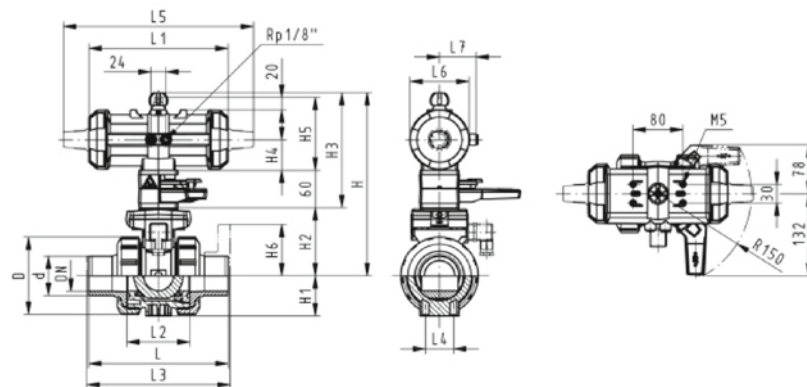
Option:

- Individual configuration of the valve

d (mm)	DN (mm)	Size (inch)	PN (bar)	kv-value ($\Delta p=1$ bar) (l/min)	FKM Code	SP	Weight (kg)
20	15	½	10	185	199 232 023	1	1.700
25	20	¾	10	350	199 232 024	1	1.900
32	25	1	10	700	199 232 025	1	2.100
40	32	1 ¼	10	1000	199 232 026	1	3.400
50	40	1 ½	10	1600	199 232 027	1	3.900
63	50	2	10	3100	199 232 028	1	5.000

d (mm)	D (mm)	H (mm)	H1 (mm)	H2 (mm)	H3 (mm)	H4 (mm)	H5 (mm)	H6 (mm)	L (mm)	L1 (mm)	L2 (mm)	L3 (mm)	L4 (mm)	L5 (mm)	L6 (mm)
20	50	230	27	62	168	40	77	48	124	194	56	130	25	261	76
25	58	239	30	71	168	40	77	53	144	194	65	150	25	261	76
32	68	239	36	71	168	40	77	58	154	194	71	160	25	261	76
40	84	271	44	84	187	51	99	70	174	224	85	180	45	305	95
50	97	271	51	84	187	51	99	75	194	224	89	200	45	305	95
63	124	293	64	106	187	51	99	83	224	224	101	230	45	305	95

d (mm)	L7 (mm)
20	48
25	48
32	48
40	59
50	59
63	59





DN10/15 - 50

SYGEF Standard Ball valve type 232
FO (Fail safe to open)
With manual override
With butt fusion spigots IR-Plus metric

Model:

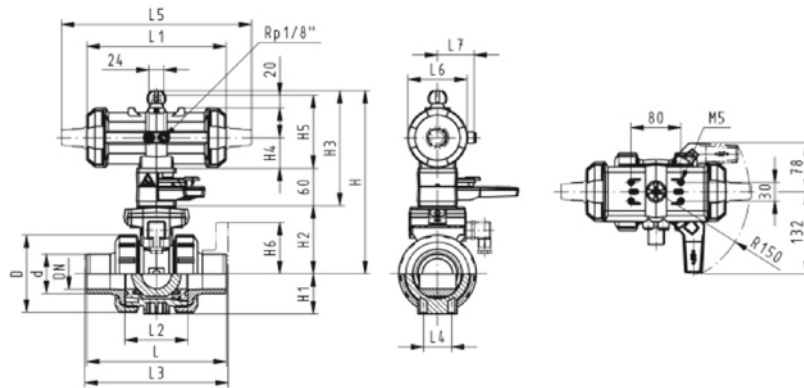
- Material: PVDF
- Built on with pneumatic actuator PA11 (DN10/15-25), PA21 (DN32-50)
- Control time 90°(<) 1-2s
- For easy installation and removal
- Integrated stainless steel mounting inserts

Option:

- Individual configuration of the valve

d (mm)	DN (mm)	PN (bar)	kv-value ($\Delta p=1$ bar) (l/min)	FKM Code	SP	Weight (kg)
20	15	10	185	199 232 753	1	1.200
25	20	10	350	199 232 754	1	1.300
32	25	10	700	199 232 755	1	1.400
40	32	10	1000	199 232 756	1	2.500
50	40	10	1600	199 232 757	1	2.800
63	50	10	3100	199 232 758	1	3.700

d (mm)	D (mm)	H (mm)	H1 (mm)	H2 (mm)	H3 (mm)	H4 (mm)	H5 (mm)	L (mm)	L1 (mm)	L2 (mm)	L4 (mm)	L5 (mm)	L6 (mm)	L7 (mm)	closest inch (inch)
20	50	159	27	62	168	40	77	130	194	56	25	261	76	48	½
25	58	168	30	71	168	40	77	130	194	65	25	261	76	48	¾
32	68	168	36	71	168	40	77	130	194	71	25	261	76	48	1
40	84	202	44	84	187	51	99	130	224	85	45	305	95	59	1 ¼
50	97	202	51	84	187	51	99	130	224	89	45	305	95	59	1 ½
63	124	225	64	106	187	51	99	130	224	101	45	305	95	59	2





DN10/15 - 50

SYGEF Standard Ball valve type 232

FO (Fail safe to open)

With manual override

With socket fusion spigots metric

Model:

- Material: PVDF
- Built on with pneumatic actuator PA11 (DN10/15-25), PA21 (DN32-50)
- Control time $90^\circ <$ 1-2s
- For easy installation and removal
- Integrated stainless steel mounting inserts

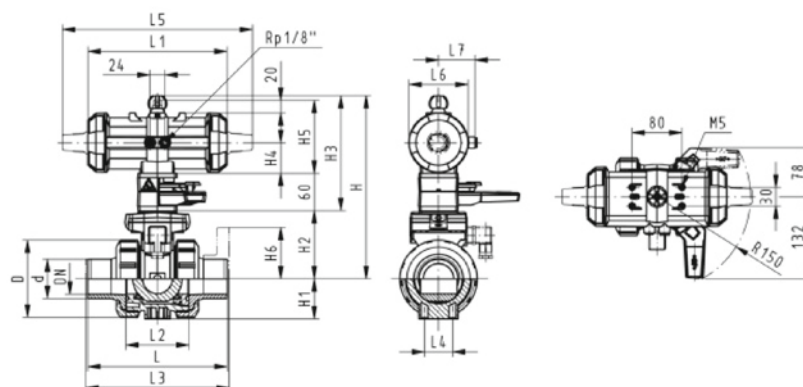
Option:

- Individual configuration of the valve

d (mm)	DN (mm)	PN (bar)	kv-value ($\Delta p=1$ bar) (L/min)	FKM Code	SP	Weight (kg)
16	10	10	70	199 232 072	1	1.500
20	15	10	185	199 232 073	1	1.500
25	20	10	350	199 232 074	1	1.600
32	25	10	700	199 232 075	1	1.700
40	32	10	1000	199 232 076	1	2.800
50	40	10	1600	199 232 077	1	3.100
63	50	10	3100	199 232 078	1	4.000

d (mm)	D (mm)	H (mm)	H1 (mm)	H2 (mm)	H3 (mm)	H4 (mm)	H5 (mm)	L (mm)	L1 (mm)	L2 (mm)	L3 (mm)	L4 (mm)	L5 (mm)	L6 (mm)	L7 (mm)
16	50	159	27	62	168	40	77	92	194	56	130	25	261	76	48
20	50	159	27	62	168	40	77	95	194	56	130	25	261	76	48
25	58	168	30	71	168	40	77	110	194	65	150	25	261	76	48
32	68	168	36	71	168	40	77	123	194	71	160	25	261	76	48
40	84	202	44	84	187	51	99	146	224	85	180	45	305	95	59
50	97	202	51	84	187	51	99	157	224	89	200	45	305	95	59
63	124	225	64	106	187	51	99	183	224	101	230	45	305	95	59

d (mm)	closest inch (inch)
16	$\frac{3}{8}$
20	$\frac{1}{2}$
25	$\frac{3}{4}$
32	1
40	$1 \frac{1}{4}$
50	$1 \frac{1}{2}$
63	2





DN10/15 - 50

SYGEF Standard Ball valve type 232
FO (Fail safe to open)
With manual override
With fusion sockets metric

Model:

- Material: PVDF
- Built on with pneumatic actuator PA11 (DN10/15-25), PA21 (DN32-50)
- Control time 90°<) 1-2s
- For easy installation and removal
- Integrated stainless steel mounting inserts

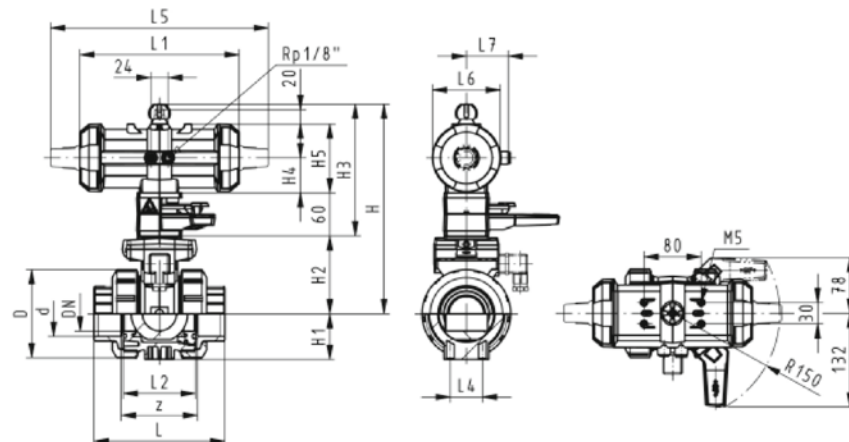
Option:

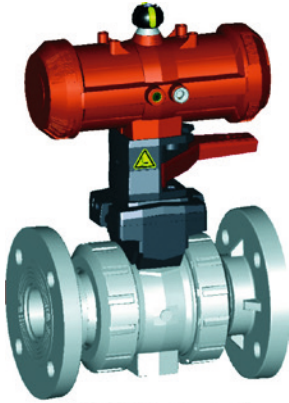
- Individual configuration of the valve

d (mm)	DN (mm)	PN (bar)	kv-value ($\Delta p=1$ bar) (l/min)	FKM Code	SP	Weight (kg)
16	10	10	70	199 232 052	1	1.500
20	15	10	185	199 232 053	1	1.500
25	20	10	350	199 232 054	1	1.600
32	25	10	700	199 232 055	1	1.700
40	32	10	1000	199 232 056	1	2.800
50	40	10	1600	199 232 057	1	3.100
63	50	10	3100	199 232 058	1	3.728

d (mm)	D (mm)	H (mm)	H1 (mm)	H2 (mm)	H3 (mm)	H4 (mm)	H5 (mm)	L (mm)	L1 (mm)	L2 (mm)	L4 (mm)	L5 (mm)	L6 (mm)	L7 (mm)	z (mm)
16	50	230	27	62	168	40	77	93	194	56	25	261	76	48	67
20	50	230	27	62	168	40	77	95	194	56	25	261	76	48	66
25	58	239	30	71	168	40	77	109	194	65	25	261	76	48	77
32	68	239	36	71	168	40	77	119	194	71	25	261	76	48	83
40	84	271	44	84	187	51	99	135	224	85	45	305	95	59	99
50	97	271	51	84	187	51	99	147	224	89	45	305	95	59	105
63	124	293	64	106	187	51	99	168	224	101	45	305	95	59	117

d (mm)	closest inch (inch)
16	¾
20	½
25	¾
32	1
40	1 ¼
50	1 ½
63	2





DN10/15 - 50

SYGEF Standard Ball valve type 232
FC (Fail safe to close)
With manual override
With fixed flanges PVDF serrated metric

Model:

- Material: PVDF
- Built on with pneumatic actuator PA11 (DN10/15-25), PA21 (DN32-50)
- Control time 90°<) 1-2s
- For easy installation and removal
- Integrated stainless steel mounting inserts
- Connecting dimension: ISO 7005 / EN 1092 / DIN 25 PN10 / BS4504

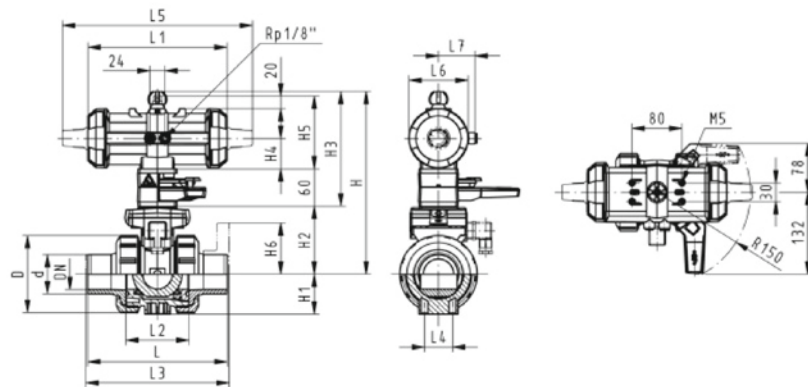
Option:

- Individual configuration of the valve

d (mm)	DN (mm)	Size (inch)	PN (bar)	kv-value ($\Delta p=1$ bar) (L/min)	FKM Code	SP	Weight (kg)
20	15	½	10	185	199 232 003	1	1.700
25	20	¾	10	350	199 232 004	1	1.900
32	25	1	10	700	199 232 005	1	2.100
40	32	1 ¼	10	1000	199 232 006	1	3.400
50	40	1 ½	10	1600	199 232 007	1	3.900
63	50	2	10	3100	199 232 008	1	5.000

d (mm)	D (mm)	H (mm)	H1 (mm)	H2 (mm)	H3 (mm)	H4 (mm)	H5 (mm)	H6 (mm)	L (mm)	L1 (mm)	L2 (mm)	L3 (mm)	L4 (mm)	L5 (mm)	L6 (mm)
20	50	230	27	62	168	40	77	48	124	194	56	130	25	261	76
25	58	239	30	71	168	40	77	53	144	194	65	150	25	261	76
32	68	239	36	71	168	40	77	58	154	194	71	160	25	261	76
40	84	271	44	84	187	51	99	70	174	224	85	180	45	305	95
50	97	271	51	84	187	51	99	75	194	224	89	200	45	305	95
63	124	293	64	106	187	51	99	83	224	224	101	230	45	305	95

d (mm)	L7 (mm)
20	48
25	48
32	48
40	59
50	59
63	59





DN10/15 - 50



DN10/15 - 50

SYGEF Standard Ball valve type 232
FC (Fail safe to close)
With manual override
With butt fusion spigots IR-Plus metric

Model:

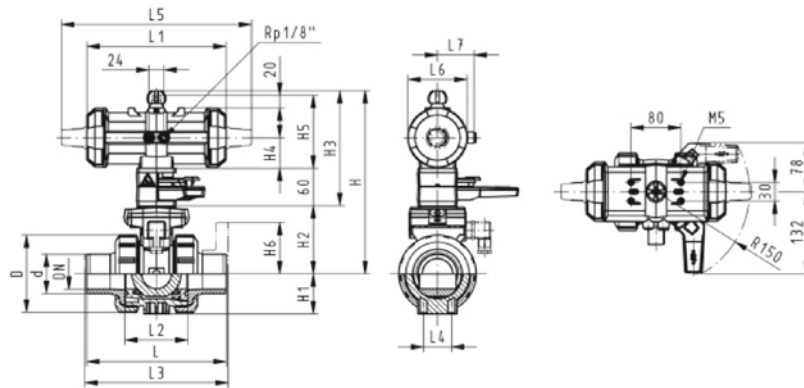
- Material: PVDF
- Built on with pneumatic actuator PA11 (DN10/15-25), PA21 (DN32-50)
- Control time 90°<) 1-2s
- For easy installation and removal
- Integrated stainless steel mounting inserts

Option:

- Individual configuration of the valve

d (mm)	DN (mm)	PN (bar)	kv-value ($\Delta p=1$ bar) (l/min)	FKM Code	SP	Weight (kg)
20	15	10	185	199 232 713	1	1.200
25	20	10	350	199 232 714	1	1.300
32	25	10	700	199 232 715	1	1.566
40	32	10	1000	199 232 716	1	2.602
50	40	10	1600	199 232 717	1	2.887
63	50	10	3100	199 232 718	1	4.000

d (mm)	D (mm)	H (mm)	H1 (mm)	H2 (mm)	H3 (mm)	H4 (mm)	H5 (mm)	L (mm)	L1 (mm)	L2 (mm)	L4 (mm)	L5 (mm)	L6 (mm)	L7 (mm)	closest inch (inch)
20	50	230	27	62	168	40	77	130	194	56	25	261	76	48	1/2
25	58	239	30	71	168	40	77	143	194	65	25	261	76	48	3/4
32	68	239	36	71	168	40	77	150	194	71	25	261	76	48	1
40	84	271	44	84	187	51	99	171	224	85	45	305	95	59	1 1/4
50	97	271	51	84	187	51	99	191	224	89	45	305	95	59	1 1/2
63	124	293	64	106	187	51	99	220	224	101	45	305	95	59	2





DN10/15 - 50



DN10/15 - 50

SYGEF Standard Ball valve type 232
FC (Fail safe to close)
With manual override
With socket fusion spigots metric

Model:

- Material: PVDF
- Built on with pneumatic actuator PA11 (DN10/15-25), PA21 (DN32-50)
- Control time 90° < 1-2s
- For easy installation and removal
- Integrated stainless steel mounting inserts

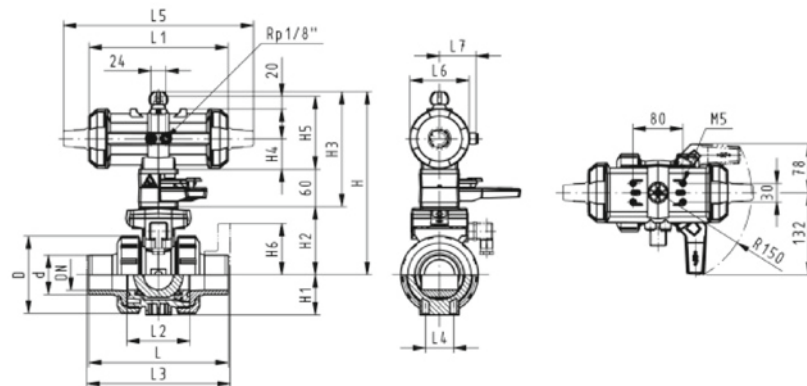
Option:

- Individual configuration of the valve

d (mm)	DN (mm)	PN (bar)	kv-value ($\Delta p=1$ bar) (l/min)	FKM Code	SP	Weight (kg)
16	10	10	70	199 232 032	1	1.500
20	15	10	185	199 232 033	1	1.304
25	20	10	350	199 232 034	1	1.439
32	25	10	700	199 232 035	1	1.700
40	32	10	1000	199 232 036	1	3.105
50	40	10	1600	199 232 037	1	3.100
63	50	10	3100	199 232 038	1	4.000

d (mm)	D (mm)	H (mm)	H1 (mm)	H2 (mm)	H3 (mm)	H4 (mm)	H5 (mm)	L (mm)	L1 (mm)	L2 (mm)	L3 (mm)	L4 (mm)	L5 (mm)	L6 (mm)	L7 (mm)
16	50	159	27	62	168	40	77	92	194	56	130	25	261	76	48
20	50	159	27	62	168	40	77	95	194	56	130	25	261	76	48
25	58	168	30	71	168	40	77	110	194	65	150	25	261	76	48
32	68	168	36	71	168	40	77	123	194	71	160	25	261	76	48
40	84	202	44	84	187	51	99	146	224	85	180	45	305	95	59
50	97	202	51	84	187	51	99	157	224	89	200	45	305	95	59
63	124	225	64	106	187	51	99	183	224	101	230	45	305	95	59

d (mm)	closest inch (inch)
16	3/4
20	1/2
25	3/4
32	1
40	1 1/4
50	1 1/2
63	2



Butterfly valves electric



SYGEE Standard Wafer-style intermediate installation butterfly valve type 145 With electric actuator 230V With manual override Flange standard metric/ANSI/BS/JIS

Model:

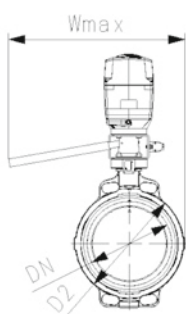
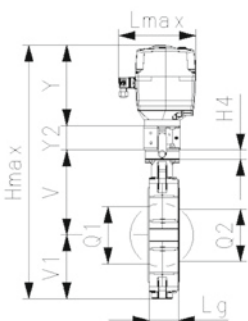
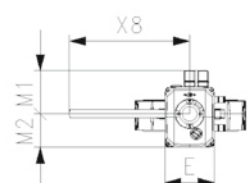
- Material: PVDF
- Voltage 100-230V, 50-60Hz
- Factory set control range 90°<
- Heating element, position feedback (Open/Close/ Middle)
- Overall length according to EN 558, ISO 5752 (DN50-200 line 25, DN250-300 line 16)
- Connecting dimension: ISO 7005 PN 10, EN 1092 PN 10, DIN 2501 PN 10, ANSI/ASME B 16.5 Class 150, BS 1560: 1989, BS 4504, JIS B 2220

Option:

- Other valve and actuator configurations available
- Optional accessories: Fail-safe return unit, Monitoring board, Position controller, Profibus DP board

Note:

For some material combination (e.g. DN300 valves with PE/PP pipes) special flange adapters are needed. Please check the "Perfect flange connection tool" on www.gfps.com



d (mm)	Size (inch)	DN (mm)	PN (bar)	kv-value (Δp=1 bar) (l/min)	FKM Code	Weight (kg)
63	2	50	10	740	199 145 562	5.718
75	2 ½	65	10	1500	199 145 563	5.830
90	3	80	10	2400	199 145 564	6.010
110	4	100	10	3800	199 145 565	6.662
140	5	125	10	8600	199 145 566	7.257
160	6	150	10	11400	199 145 567	8.477
225	8	200	10	19900	199 145 568	15.138

d (mm)	Hmax (mm)	Lmax (mm)	Wmax (mm)	U (mm)	V (mm)	H4 (mm)	V1 (mm)	Lg (mm)	D2 (mm)	Q1 (mm)	Q2 (mm)	k (mm)	Y (mm)	E (mm)
63	461.4	190	356.7	90	133.3	23	78.8	45	104	40		125	189.3	122.3
75	474.3	190	363.8	90	139.9	23	85.1	46	115	54	35	145	189.3	122.3
90	486.1	190	365.9	90	145.6	23	91.2	49	131	67	50	160	189.3	122.3
110	521.4	190	378.0	90	166.4	23	105.7	56	161	88	74	180	189.3	122.3
140	548.1	190	391.0	90	180.0	23	118.8	64	187	113	97	210	189.3	122.3
160	569.2	190	405.0	90	189.0	23	130.9	72	215	139	123	240	189.3	122.3
225	628.1	190	431.0	90	210.5	23	158.3	73	267	178	169	295	189.3	122.3

d (mm)	X8 (mm)	Y2 (mm)	M1 (mm)	M2 (mm)
63	297.5	60	107.3	82.7
75	297.5	60	107.3	82.7
90	297.5	60	107.3	82.7
110	297.5	60	107.3	82.7
140	297.5	60	107.3	82.7
160	297.5	60	107.3	82.7
225	297.5	60	107.3	82.7



SYGEF Standard Lug-style end installation butterfly valve type 146
With electric actuator 230V
Without manual override
Flange standard metric

Model:

- Voltage 100-230V, 50-60Hz
- Factory set control range 90°<
- Heating element, position feedback (Open/Close/ Middle)
- Overall length according to EN 558, ISO 5752 (DN50-200 line 25, DN250-300 line 16)
- Connecting dimension: ISO 7005 PN10, EN 1092 PN10, DIN 2501 PN10

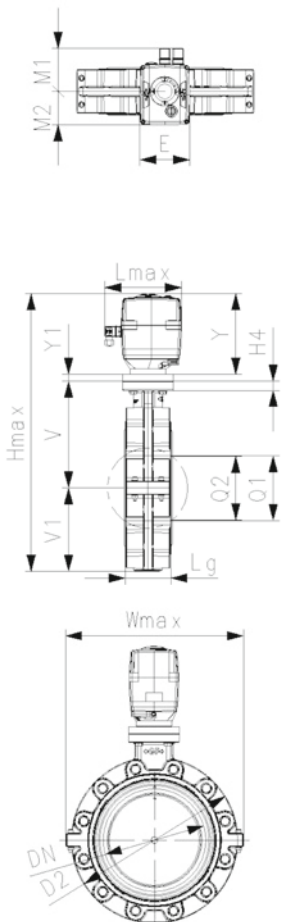
Option:

- Other valve and actuator configurations available
- Optional accessories: Fail-safe return unit, Monitoring board, Position controller, Profibus DP board

Note:

For some material combination (e.g. DN300 valves with PE/PP pipes) special flange adapters are needed. Please check the "Perfect flange connection tool" on www.gfps.com

d (mm)	Size (inch)	DN (mm)	PN (bar)	kv-value ($\Delta p=1$ bar) (l/min)	FKM Code	Weight (kg)	PTFE Code
63	2	50	10	740	199 146 582	4.299	199 146 642
75	2 1/2	65	10	1500	199 146 583	4.456	199 146 643
90	3	80	10	2400	199 146 584	4.701	199 146 644
110	4	100	10	3800	199 146 585	5.606	199 146 645
140	5	125	10	8600	199 146 586	7.120	199 146 646
160	6	150	10	11400	199 146 587	8.881	199 146 647
225	8	200	10	19900	199 146 588	13.625	199 146 648
280	10	250	6	34000	199 146 589	24.385	
315	12	300	4	50000	199 146 590	30.916	



d (mm)	Hmax (mm)	Lmax (mm)	Wmax (mm)	U (mm)	V (mm)	H4 (mm)	V1 (mm)	Lg (mm)	D2 (mm)	Q1 (mm)	Q2 (mm)	d2 (mm)	Y (mm)
63	378.3	190	165	90	133.3	23	78.8	44.7	160.0	40		M16	166.2
75	391.2	190	182	90	139.9	23	85.1	45.7	180.0	54	35	M16	166.2
90	426.1	190	210	90	145.6	23	91.2	48.7	195.0	67	50	M16	189.3
110	462.8	190	240	90	166.0	23	107.5	55.6	226.0	88	74	M16	189.3
140	492.0	190	272	90	180.0	23	122.7	63.5	258.0	113	97	M16	189.3
160	522.8	190	300	90	189.0	23	134.5	71.5	284.0	139	123	M20	199.3
225	571.3	190	360	90	210.5	23	161.5	72.5	341.0	178	169	M20	199.3
280	670.6	190	440	125	264.4	23	206.9	113.2	412.0	210	207	M20	199.3
315	720.0	190	510	125	285.2	23	235.5	114.6	482.0	256	253	M20	199.3

d (mm)	E (mm)	Y1 (mm)	M1 (mm)	M2 (mm)
63	122.3		107.3	82.7
75	122.3		107.3	82.7
90	122.3		107.3	82.7
110	122.3		107.3	82.7
140	122.3		107.3	82.7
160	122.3		107.3	82.7
225	122.3		107.3	82.7
280	122.3	17.0	107.3	82.7
315	122.3	17.0	107.3	82.7



SYGEF Standard Lug-style end installation butterfly valve type 147

With electric actuator 230V

Without manual override

Flange standard ANSI/ASME

Model:

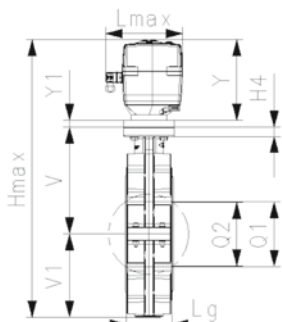
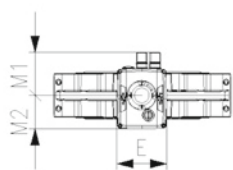
- Material: PVDF
- Voltage 100-230V, 50-60Hz
- Factory set control range 90°<
- Heating element, position feedback (Open/Close/ Middle)
- Overall length according to EN 558, ISO 5752 (DN50-200 line 25, DN250-300 line 16)
- Connecting dimension ANSI/ASME B 16.5 Class 150

Option:

- Other valve and actuator configurations available
- Optional accessories: Fail-safe return unit, Monitoring board, Position controller, Profibus DP board

Note:

For some material combination (e.g. DN300 valves with PE/PP pipes) special flange adapters are needed. Please check the "Perfect flange connection tool" on www.gfps.com



d (mm)	Size (inch)	DN (mm)	PN (bar)	kv-value (Δp=1 bar) (l/min)	FKM Code	Weight (kg)	PTFE Code
63	2	50	10	740	199 147 582	4.500	199 147 642
75	2 ½	65	10	1500	199 147 583	4.600	199 147 643
90	3	80	10	2400	199 147 584	5.000	199 147 644
110	4	100	10	3800	199 147 585	6.000	199 147 645
140	5	125	10	8600	199 147 586	7.700	199 147 646
160	6	150	10	11400	199 147 587	9.000	199 147 647
225	8	200	10	19900	199 147 588	13.800	199 147 648
280	10	250	6	34000	199 147 589	24.500	
315	12	300	4	50000	199 147 590	31.200	

d (mm)	Size (inch)	Hmax (mm)	Lmax (mm)	Wmax (mm)	U (mm)	V (mm)	H4 (mm)	V1 (mm)	Lg (mm)	D2 (mm)	Q1 (mm)	Q2 (mm)	d2
63	2	378.3	190	165	90	133.3	23	78.8	44.7	160	40		UNC 5/8
75	2 ½	391.2	190	182	90	139.9	23	85.1	45.7	180	54	35	UNC 5/8
90	3	426.1	190	210	90	145.6	23	91.2	48.7	195	67	50	UNC 5/8
110	4	462.8	190	240	90	166.0	23	107.5	55.6	226	88	74	UNC 5/8
140	5	492.0	190	272	90	180.0	23	122.7	63.5	258	113	97	UNC 3/4
160	6	522.8	190	300	90	189.0	23	134.5	71.5	284	139	123	UNC 3/4
225	8	571.3	190	360	90	210.5	23	161.5	72.5	341	178	169	UNC 3/4
280	10	670.6	190	440	125	264.4	23	206.9	113.2	412	210	207	UNC 7/8
315	12	720.0	190	510	125	285.2	23	235.5	114.6	482	256	253	UNC 7/8

d (mm)	Size (inch)	Y (mm)	E (mm)	Y1 (mm)	M1 (mm)	M2 (mm)
63	2	166.2	122.3		107.3	82.7
75	2 ½	166.2	122.3		107.3	82.7
90	3	189.3	122.3		107.3	82.7
110	4	189.3	122.3		107.3	82.7
140	5	189.3	122.3		107.3	82.7
160	6	199.3	122.3		107.3	82.7
225	8	199.3	122.3		107.3	82.7
280	10	199.3	122.3	17	107.3	82.7
315	12	199.3	122.3	17	107.3	82.7



Lug-style end installation butterfly valve type 565L PVDF/PA-GF

Bare Shaft

Flange standard ISO/Metric

Suitable for ABS, PVC-U, PVC-C, ecoFIT, COOL-FIT and PROGEF Systems

Model:

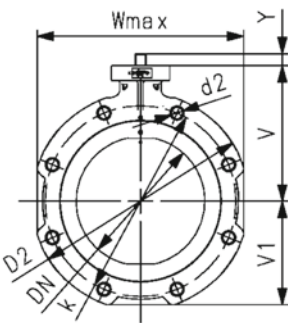
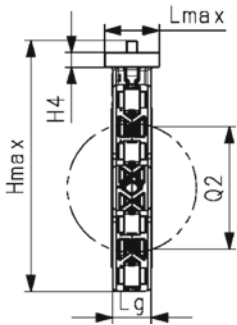
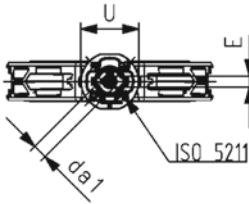
- Installation length: EN558 row 20, ISO 5752 row 20, API 609 table 2
- Flange standards: ISO 7005 PN10/16, EN 1092 PN10/16, DIN 2501 PN10/16
- For easy installation and removal
- Suitable for water and water treatment applications (e.g. sea water, drinking water and industrial water)

Option:

- Individual configuration of the valve possible
- Hand (lockable), pneumatic or electric actuators from GF
- Double sensor for electrical position feedback incl. LED feedback

Note:

For some material combination (e.g. DN300 valves with PE/PP pipes) special flange adapters are needed. Please check the "Perfect flange connection tool" on www.gfps.com



d (mm)	DN (mm)	Size (inch)	PN (bar)	Acc.to ISO 5211	EPDM Code	Weight (kg)	FKM Code	Weight (kg)
63	50	2	16	F07	199 575 100	0.881	199 575 120	0.950
75	65	2 ½	16	F07	199 575 101	1.115	199 575 121	1.217
90	80	3	16	F07	199 575 102	1.285	199 575 122	1.408
110	100	4	16	F07	199 575 103	2.024	199 575 123	2.200
140	125	5	16	F07	199 575 104	2.593	199 575 124	2.853
160	150	6	16	F07	199 575 105	3.743	199 575 125	3.791
225	200	8	10	F07	199 575 106	4.720	199 575 126	5.176
280	250	10	10	F10	199 575 107	8.837	199 575 127	9.517
315	300	12	6	F10	199 575 108	12.614	199 575 128	13.744

d (mm)	DN (mm)	Hmax (mm)	Lmax (mm)	Wmax (mm)	V (mm)	V1 (mm)	Y (mm)	Lg (mm)	Q2 (mm)	k (mm)	d2 (mm)	D2 (mm)	H4 (mm)	U (mm)
63	50	230.4	84.8	140	133.3	70.1	27	43	28.3	125	M16	155	23	90
75	65	247.7	84.8	161	139.9	80.8	27	46	43.8	145	M16	175	23	90
90	80	263.9	84.8	180	145.6	91.3	27	46	63.5	160	M16	190	23	90
110	100	288.6	84.8	211	166.4	106.2	16	52	83.7	180	M16	221	23	90
140	125	316.3	84.8	239	180.0	120.3	16	56	110.4	210	M16	250	23	90
160	150	340.4	84.8	263	189.0	132.4	19	56	137.3	240	M20	277	23	90
225	200	388.8	84.8	319	209.5	160.3	19	60	191.1	295	M20	337	23	90
280	250	201.6	125.0	403	262.5	199.1	40	68	238.9	350	M20	403	23	125
315	300	559.8	125.0	482	284.3	235.5	40	78	285.5	400	M20	479	23	125

d (mm)	DN (mm)	E (mm)	da1 (mm)
63	50	11	14.1
75	65	11	14.1
90	80	11	14.1
110	100	14	18.1
140	125	14	18.1
160	150	17	22.2
225	200	17	22.2
280	250	22	28.2
315	300	22	28.2



Lug-style end installation butterfly valve type 565L PVDF/PA-GF
Reduction gear with hand wheel
Flange standard ISO/Metric
Suitable for ABS, PVC-U, PVC-C, ecoFIT, COOL-FIT and PROGEF Systems

Model:

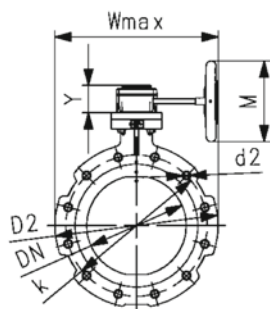
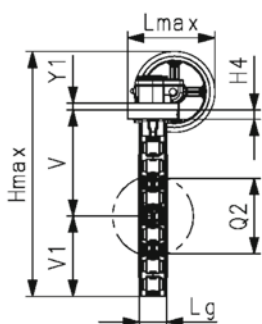
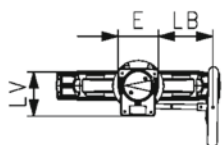
- Installation length: EN558 row 20, ISO 5752 row 20, API 609 table 2
- Flange standards: ISO 7005 PN10/16, EN 1092 PN10/16, DIN 2501 PN10/16
- For easy installation and removal
- Suitable for water and water treatment applications (e.g. sea water, drinking water and industrial water)

Option:

- Individual configuration of the valve possible
- Hand (lockable hand lever), pneumatic or electric actuators from GF
- Double sensor for electrical position feedback incl. LED feedback

Note:

For some material combination (e.g. DN300 valves with PE/PP pipes) special flange adapters are needed. Please check the "Perfect flange connection tool" on www.gfps.com



d (mm)	DN (mm)	Size (inch)	PN (bar)	EPDM Code	Weight (kg)	FKM Code	Weight (kg)
63	50	2	16	199 575 200	3.009	199 575 220	3.078
75	65	2 ½	16	199 575 201	3.243	199 575 221	3.345
90	80	3	16	199 575 202	3.413	199 575 222	3.536
110	100	4	16	199 575 203	4.152	199 575 223	4.328
140	125	5	16	199 575 204	4.721	199 575 224	4.981
160	150	6	16	199 575 205	5.493	199 575 225	5.811
225	200	8	10	199 575 206	6.740	199 575 226	7.196
280	250	10	10	199 575 207	12.739	199 575 227	13.419
315	300	12	6	199 575 208	16.516	199 575 228	17.646

d (mm)	DN (mm)	Hmax (mm)	Lmax (mm)	Wmax (mm)	V (mm)	V1 (mm)	Y (mm)	Lg (mm)	Q2 (mm)	k (mm)	d2 (mm)	D2 (mm)	H4 (mm)	E (mm)
63	50	344.6	190.75	251.0	133.3	70.1	61.2	43	28.3	125	M16	155	23	80
75	65	361.9	190.75	261.5	139.9	80.8	61.2	46	43.8	145	M16	175	23	80
90	80	378.1	190.75	271.0	145.6	91.3	61.2	46	63.5	160	M16	190	23	80
110	100	413.8	190.75	286.5	166.4	106.2	61.2	52	83.7	180	M16	221	23	80
140	125	441.5	190.75	300.5	180.0	120.3	61.2	56	110.4	210	M16	250	23	80
160	150	462.6	190.75	312.5	189.0	132.4	61.2	56	137.3	240	M20	277	23	80
225	200	511.0	190.75	319.0	209.5	160.3	61.2	60	191.1	295	M20	337	23	80
280	250	647.0	207.40	403.0	262.5	199.1	68.4	68	238.9	350	M20	403	23	100
315	300	705.2	207.40	482.0	284.3	235.5	68.4	78	285.5	400	M20	479	23	100

d (mm)	DN (mm)	Y1 (mm)	M (mm)	LV (mm)	LB (mm)
63	50		160	112.3	129.5
75	65		160	112.3	129.5
90	80		160	112.3	129.5
110	100		160	112.3	129.5
140	125		160	112.3	129.5
160	150		160	112.3	129.5
225	200		160	112.3	129.5
280	250	17	200	130.0	134.0
315	300	17	200	130.0	134.0



Lug-style end installation butterfly valve type 565L PVDF/PA-GF
Reduction gear with hand wheel
Flange standard ISO/Metric
Suitable for ABS, PVC-U, PVC-C, ecoFIT, COOL-FIT and PROGEF Systems

Model:

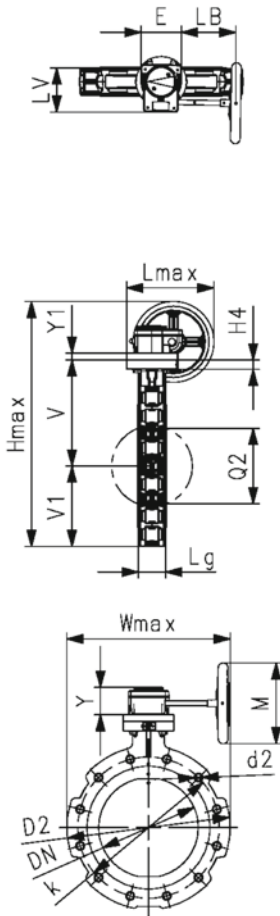
- Installation length: EN558 row 20, ISO 5752 row 20, API 609 table 2
- Flange standards: ISO 7005 PN10/16, EN 1092 PN10/16, DIN 2501 PN10/16
- For easy installation and removal
- Suitable for water and water treatment applications (e.g. sea water, drinking water and industrial water)

Option:

- Individual configuration of the valve possible
- Hand (lockable hand lever), pneumatic or electric actuators from GF
- Double sensor for electrical position feedback incl. LED feedback

Note:

For some material combination (e.g. DN300 valves with PE/PP pipes) special flange adapters are needed. Please check the "Perfect flange connection tool" on www.gfps.com



d (mm)	DN (mm)	Size (inch)	PN (bar)	EPDM Code	Weight (kg)	FKM Code	Weight (kg)
63	50	2	16	199 575 200	3.009	199 575 220	3.078
75	65	2 ½	16	199 575 201	3.243	199 575 221	3.345
90	80	3	16	199 575 202	3.413	199 575 222	3.536
110	100	4	16	199 575 203	4.152	199 575 223	4.328
140	125	5	16	199 575 204	4.721	199 575 224	4.981
160	150	6	16	199 575 205	5.493	199 575 225	5.811
225	200	8	10	199 575 206	6.740	199 575 226	7.196
280	250	10	10	199 575 207	12.739	199 575 227	13.419
315	300	12	6	199 575 208	16.516	199 575 228	17.646

d (mm)	DN (mm)	Hmax (mm)	Lmax (mm)	Wmax (mm)	V (mm)	V1 (mm)	Y (mm)	Lg (mm)	Q2 (mm)	k (mm)	d2 (mm)	D2 (mm)	H4 (mm)	E (mm)
63	50	344.6	190.75	251.0	133.3	70.1	61.2	43	28.3	125	M16	155	23	80
75	65	361.9	190.75	261.5	139.9	80.8	61.2	46	43.8	145	M16	175	23	80
90	80	378.1	190.75	271.0	145.6	91.3	61.2	46	63.5	160	M16	190	23	80
110	100	413.8	190.75	286.5	166.4	106.2	61.2	52	83.7	180	M16	221	23	80
140	125	441.5	190.75	300.5	180.0	120.3	61.2	56	110.4	210	M16	250	23	80
160	150	462.6	190.75	312.5	189.0	132.4	61.2	56	137.3	240	M20	277	23	80
225	200	511.0	190.75	319.0	209.5	160.3	61.2	60	191.1	295	M20	337	23	80
280	250	647.0	207.40	403.0	262.5	199.1	68.4	68	238.9	350	M20	403	23	100
315	300	705.2	207.40	482.0	284.3	235.5	68.4	78	285.5	400	M20	479	23	100

d (mm)	DN (mm)	Y1 (mm)	M (mm)	LV (mm)	LB (mm)
63	50		160	112.3	129.5
75	65		160	112.3	129.5
90	80		160	112.3	129.5
110	100		160	112.3	129.5
140	125		160	112.3	129.5
160	150		160	112.3	129.5
225	200		160	112.3	129.5
280	250	17	200	130.0	134.0
315	300	17	200	130.0	134.0



Lug-style end installation butterfly valve type 565L PVDF/PA-GF
Bare Shaft
Flange standard ANSI / ASTM / ASME
Suitable for ABS, PVC-U, PVC-C, ecoFIT, COOL-FIT and PROGEF Systems

Model:

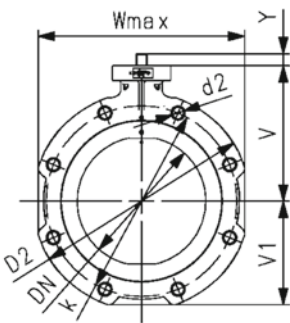
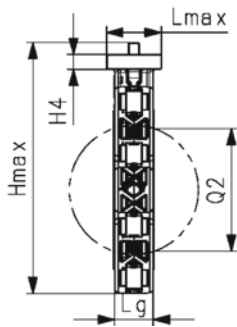
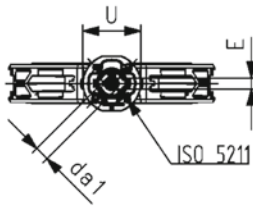
- Installation length: EN558 row 20, ISO 5752 row 20, API 609 table 2
- Flange standards: ANSI/ASME B 16.5 Class 150, BS 1560: 1989 Class 125/150; BS 4504 PN10/16
- For easy installation and removal
- Suitable for water and water treatment applications (e.g. sea water, drinking water and industrial water)

Option:

- Individual configuration of the valve possible
- Hand or electric actuators from GF
- Double sensor for electrical position feedback incl. LED feedback
- Optional accessories: Fail-safe return unit, Monitoring board, Position controller, Profibus DP board

Note:

For some material combination (e.g. DN300 valves with PE/PP pipes) special flange adapters are needed. Please check the "Perfect flange connection tool" on www.gfps.com



d (mm)	DN (mm)	Size (inch)	PN (bar)	Acc.to ISO 5211	EPDM Code	Weight (kg)	FKM Code	Weight (kg)
63	50	2	16	F07	199 576 100	0.881	199 576 120	0.950
75	65	2 ½	16	F07	199 576 101	1.115	199 576 121	1.217
90	80	3	16	F07	199 576 102	1.285	199 576 122	1.408
110	100	4	16	F07	199 576 103	2.024	199 576 123	2.200
140	125	5	16	F07	199 576 104	2.593	199 576 124	2.853
160	150	6	16	F07	199 576 105	3.743	199 576 125	3.791
225	200	8	10	F07	199 576 106	4.720	199 576 126	5.176
280	250	10	10	F10	199 576 107	8.837	199 576 127	9.517
315	300	12	6	F10	199 576 108	12.614	199 576 128	13.744

d (mm)	DN (mm)	Hmax (mm)	Lmax (mm)	Wmax (mm)	V (mm)	V1 (mm)	Y (mm)	Lg (mm)	Q2 (mm)	k (mm)	d2 (mm)	D2 (mm)	H4 (mm)
63	50	230.4	84.8	140	133.3	70.1	27	43	28.3	120.7	UNC 5/8	155	23
75	65	247.7	84.8	161	139.9	80.8	27	46	43.8	139.7	UNC 5/8	175	23
90	80	263.9	84.8	180	145.6	91.3	27	46	63.5	152.4	UNC 5/8	190	23
110	100	288.6	84.8	211	166.4	106.2	16	52	83.7	190.5	UNC 5/8	221	23
140	125	316.3	84.8	239	180.0	120.3	16	56	110.4	215.9	UNC 3/4	250	23
160	150	340.4	84.8	263	189.0	132.4	19	56	137.3	241.3	UNC 3/4	277	23
225	200	388.8	84.8	319	209.5	160.3	19	60	191.1	298.5	UNC 3/4	337	23
280	250	201.6	125.0	403	262.5	199.1	40	68	238.9	362.0	UNC 7/8	403	23
315	300	559.8	125.0	482	284.3	235.5	40	78	285.5	431.8	UNC 7/8	479	23

d (mm)	DN (mm)	U (mm)	E (mm)	da1 (mm)
63	50	90	11	14.1
75	65	90	11	14.1
90	80	90	11	14.1
110	100	90	14	18.1
140	125	90	14	18.1
160	150	90	17	22.2
225	200	90	17	22.2
280	250	125	22	28.2
315	300	125	22	28.2



Lug-style end installation butterfly valve type 565L PVDF/PA-GF
Reduction gear with hand wheel
Flange standard ANSI / ASTM / ASME
Suitable for ABS, PVC-U, PVC-C, ecoFIT, COOL-FIT and PROGEF Systems

Model:

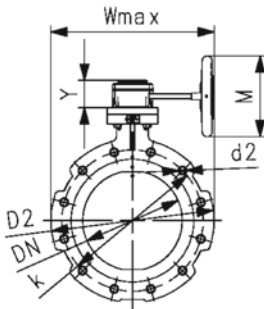
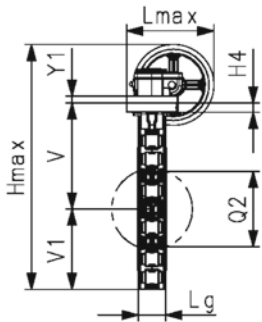
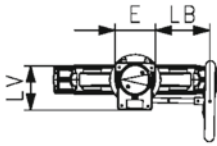
- Installation length: EN558 row 20, ISO 5752 row 20, API 609 table 2
- Flange standards: ANSI/ASME B 16.5 Class 150, BS 1560: 1989 Class 125/150; BS 4504 PN10/16
- For easy installation and removal
- Suitable for water and water treatment applications (e.g. sea water, drinking water and industrial water)

Option:

- Individual configuration of the valve possible
- Hand or electric actuators from GF
- Double sensor for electrical position feedback incl. LED feedback
- Optional accessories: Fail-safe return unit, Monitoring board, Position controller, Profibus DP board

Note:

For some material combination (e.g. DN300 valves with PE/PP pipes) special flange adapters are needed. Please check the "Perfect flange connection tool" on www.gfps.com



d (mm)	DN (mm)	Size (inch)	PN (bar)	kv-value ($\Delta p=1$ bar) (L/min)	EPDM Code	Weight (kg)	FKM Code	Weight (kg)
63	50	2	16	1445	199 576 200	3.009	199 576 220	3.078
75	65	2 ½	16	2530	199 576 201	3.243	199 576 221	3.345
90	80	3	16	4020	199 576 202	3.413	199 576 222	3.536
110	100	4	16	5850	199 576 203	4.152	199 576 223	4.328
140	125	5	16	11900	199 576 204	4.721	199 576 224	4.981
160	150	6	16	18050	199 576 205	5.493	199 576 225	5.811
225	200	8	10	43667	199 576 206	6.740	199 576 226	7.196
280	250	10	10	62333	199 576 207	12.739	199 576 227	13.419
315	300	12	6	94500	199 576 208	16.516	199 576 228	17.646

d (mm)	DN (mm)	Hmax (mm)	Lmax (mm)	Wmax (mm)	V (mm)	V1 (mm)	Y (mm)	Lg (mm)	Q2 (mm)	k (mm)	d2 (mm)	D2 (mm)	H4 (mm)
63	50	344.6	190.75	251.0	133.3	70.1	61.2	43	28.3	120.7	UNC 5/8	155	23
75	65	361.9	190.75	261.5	139.9	80.8	61.2	46	43.8	139.7	UNC 5/8	175	23
90	80	378.1	190.75	271.0	145.6	91.3	61.2	46	63.5	152.4	UNC 5/8	190	23
110	100	413.8	190.75	286.5	166.4	106.2	61.2	52	83.7	190.5	UNC 5/8	221	23
140	125	441.5	190.75	300.5	180.0	120.3	61.2	56	110.4	215.9	UNC 3/4	250	23
160	150	462.6	190.75	312.5	189.0	132.4	61.2	56	137.3	241.3	UNC 3/4	277	23
225	200	511.0	190.75	319.0	209.5	160.3	61.2	60	191.1	298.5	UNC 3/4	337	23
280	250	647.0	207.40	403.0	262.5	199.1	68.4	68	238.9	362.0	UNC 7/8	403	23
315	300	705.2	207.40	482.0	284.3	235.5	68.4	78	285.5	431.8	UNC 7/8	479	23

d (mm)	DN (mm)	E (mm)	Y1 (mm)	M (mm)	LV (mm)	LB (mm)
63	50	80		160	112.3	129.5
75	65	80		160	112.3	129.5
90	80	80		160	112.3	129.5
110	100	80		160	112.3	129.5
140	125	80		160	112.3	129.5
160	150	80		160	112.3	129.5
225	200	80		160	112.3	129.5
280	250	100	17	200	130.0	134.0
315	300	100	17	200	130.0	134.0



Lug-style end installation butterfly valve type 565L PVDF/PA-GF
Reduction gear with hand wheel
Flange standard ANSI / ASTM / ASME
Suitable for ABS, PVC-U, PVC-C, ecoFIT, COOL-FIT and PROGEF Systems

Model:

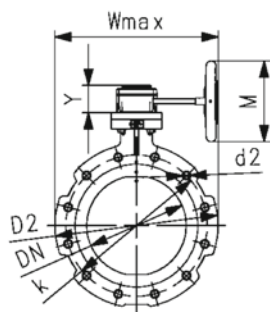
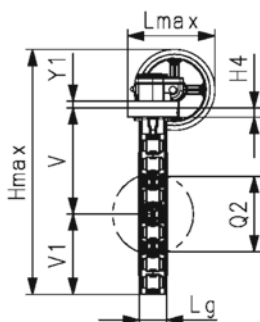
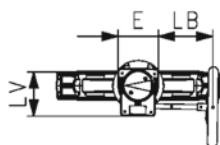
- Installation length: EN558 row 20, ISO 5752 row 20, API 609 table 2
- Flange standards: ANSI/ASME B 16.5 Class 150, BS 1560: 1989 Class 125/150; BS 4504 PN10/16
- For easy installation and removal
- Suitable for water and water treatment applications (e.g. sea water, drinking water and industrial water)

Option:

- Individual configuration of the valve possible
- Hand or electric actuators from GF
- Double sensor for electrical position feedback incl. LED feedback
- Optional accessories: Fail-safe return unit, Monitoring board, Position controller, Profibus DP board

Note:

For some material combination (e.g. DN300 valves with PE/PP pipes) special flange adapters are needed. Please check the "Perfect flange connection tool" on www.gfps.com



d (mm)	DN (mm)	Size (inch)	PN (bar)	kv-value ($\Delta p=1$ bar) (L/min)	EPDM Code	Weight (kg)	FKM Code	Weight (kg)
63	50	2	16	1445	199 576 200	3.009	199 576 220	3.078
75	65	2 ½	16	2530	199 576 201	3.243	199 576 221	3.345
90	80	3	16	4020	199 576 202	3.413	199 576 222	3.536
110	100	4	16	5850	199 576 203	4.152	199 576 223	4.328
140	125	5	16	11900	199 576 204	4.721	199 576 224	4.981
160	150	6	16	18050	199 576 205	5.493	199 576 225	5.811
225	200	8	10	43667	199 576 206	6.740	199 576 226	7.196
280	250	10	10	62333	199 576 207	12.739	199 576 227	13.419
315	300	12	6	94500	199 576 208	16.516	199 576 228	17.646

d (mm)	DN (mm)	Hmax (mm)	Lmax (mm)	Wmax (mm)	V (mm)	V1 (mm)	Y (mm)	Lg (mm)	Q2 (mm)	k (mm)	d2 (mm)	D2 (mm)	H4 (mm)
63	50	344.6	190.75	251.0	133.3	70.1	61.2	43	28.3	120.7	UNC 5/8	155	23
75	65	361.9	190.75	261.5	139.9	80.8	61.2	46	43.8	139.7	UNC 5/8	175	23
90	80	378.1	190.75	271.0	145.6	91.3	61.2	46	63.5	152.4	UNC 5/8	190	23
110	100	413.8	190.75	286.5	166.4	106.2	61.2	52	83.7	190.5	UNC 5/8	221	23
140	125	441.5	190.75	300.5	180.0	120.3	61.2	56	110.4	215.9	UNC 3/4	250	23
160	150	462.6	190.75	312.5	189.0	132.4	61.2	56	137.3	241.3	UNC 3/4	277	23
225	200	511.0	190.75	319.0	209.5	160.3	61.2	60	191.1	298.5	UNC 3/4	337	23
280	250	647.0	207.40	403.0	262.5	199.1	68.4	68	238.9	362.0	UNC 7/8	403	23
315	300	705.2	207.40	482.0	284.3	235.5	68.4	78	285.5	431.8	UNC 7/8	479	23

d (mm)	DN (mm)	E (mm)	Y1 (mm)	M (mm)	LV (mm)	LB (mm)
63	50	80		160	112.3	129.5
75	65	80		160	112.3	129.5
90	80	80		160	112.3	129.5
110	100	80		160	112.3	129.5
140	125	80		160	112.3	129.5
160	150	80		160	112.3	129.5
225	200	80		160	112.3	129.5
280	250	100	17	200	130.0	134.0
315	300	100	17	200	130.0	134.0



Wafer-style intermediate installation butterfly valve type 565 PVDF/PA-GF
With electric actuator 230V
With manual override
Flange standard metric/ANSI/BS/JIS
Suitable for ABS, PVC-U, PVC-C, ecoFIT, COOL-FIT and PROGEF Systems

Model:

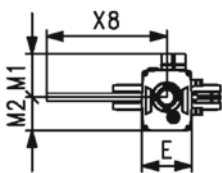
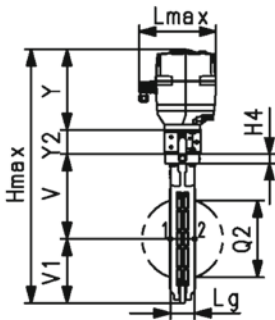
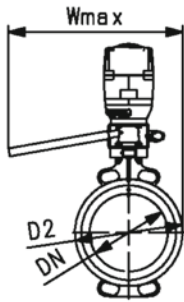
- Installation length: EN558 row 20, ISO 5752 row 20, API 609 table 2
- Flange standards: ISO 7005 PN10/16, EN 1092 PN10/16, DIN 2501 PN10/16, ANSI/ASME B 16.5 Class 150, BS 1560: 1989 Class 125/150; BS 4504 PN10/16, JIS B 2220 10K, JIS B 2239 10K
- For easy installation and removal
- Voltage 100-230V, 50-60Hz
- Factory set control range 0-90°
- Heating element, position feedback (Open/Close/ Middle)
- With additional manual override between valve and actuator
- Suitable for water and water treatment applications (e.g. sea water, drinking water and industrial water)
- Switching Ring for the double sensor for electrical position feedback is pre-assembled. Double sensor can be ordered as accessory

Option:

- Individual configuration of the valve possible
- Hand or pneumatic actuators from GF
- Double sensor for electrical position feedback incl. LED feedback
- Optional accessories: Fail-safe return unit, Monitoring board, Position controller, Profibus DP board

Note:

For some material combination (e.g. DN300 valves with PE/PP pipes) special flange adapters are needed. Please check the "Perfect flange connection tool" on www.gfps.com

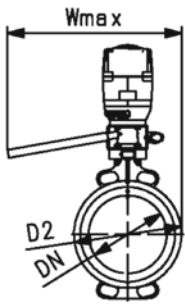


d (mm)	Size (inch)	DN (mm)	PN (bar)	kv-value (Δp=1 bar) (L/min)	Actuator	EPDM Code	SP	Weight (kg)
63	2	50	10	1445	EA120	199 565 340	1	5.5
75	2 ½	65	10	2530	EA120	199 565 341	1	5.8
90	3	80	10	4020	EA120	199 565 342	1	5.9
110	4	100	10	5850	EA120	199 565 343	1	6.6
140	5	125	10	11900	EA120	199 565 344	1	7.1
160	6	150	10	18050	EA250	199 565 345	1	9.7
225	8	200	10	43667	EA250	199 565 346	1	11.0

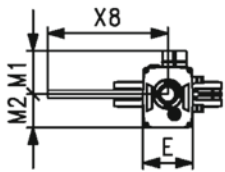
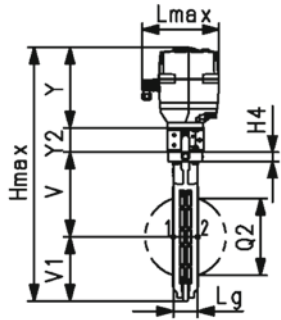
d (mm)	Size (inch)	FKM Code	SP	Weight (kg)
63	2	199 565 360	1	5.6
75	2 ½	199 565 361	1	5.9
90	3	199 565 362	1	6.0
110	4	199 565 363	1	6.8
140	5	199 565 364	1	7.4
160	6	199 565 365	1	10.0
225	8	199 565 366	1	11.5

d (mm)	Size (inch)	D2 (mm)	Wmax (mm)	Hmax (mm)	Lmax (mm)	H4 (mm)	V (mm)	V1 (mm)	Lg (mm)	E (mm)	M1 (mm)	M2 (mm)	X8 (mm)
63	2	100.0	385.5	96.0	190	23	133.5	63.0	43	122.5	107.5	83	297.5
75	2 ½	121.0	385.5	96.0	190	23	140.0	82.0	46	122.5	107.5	83	297.5
90	3	138.0	385.5	96.0	190	23	146.0	89.0	46	122.5	107.5	83	297.5
110	4	158.5	385.5	96.0	190	23	166.5	104.0	52	122.5	107.5	83	297.5
140	5	187.0	385.5	189.5	190	23	180.0	118.0	56	122.5	107.5	83	297.5
160	6	213.0	385.5	106.0	190	23	189.0	130.5	56	122.5	107.5	83	297.5
225	8	267.0	385.5	106.0	190	23	209.5	159.0	60	122.5	107.5	83	297.5

d (mm)	Size (inch)	Y (mm)	Y2 (mm)	Q2 (mm)
63	2	189.5	60	28.5
75	2 ½	189.5	60	44.0
90	3	189.5	60	63.5



d	Size	Y	Y2	Q2
(mm)	(inch)	(mm)	(mm)	(mm)
110	4	189.5	60	84.0
140	5	189.5	60	110.5
160	6	199.5	60	137.5
225	8	199.5	60	190.5





Wafer-style intermediate installation butterfly valve type 565 PVDF/PA-GF
With electric actuator 230V
Without manual override
Flange standard metric/ANSI/BS/JIS
Suitable for ABS, PVC-U, PVC-C, ecoFIT, COOL-FIT and PROGEF Systems

Model:

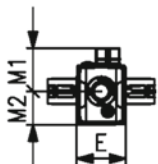
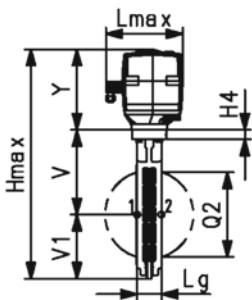
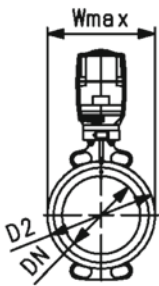
- Installation length: EN558 row 20, ISO 5752 row 20, API 609 table 2
- Flange standards: ISO 7005 PN10/16, EN 1092 PN10/16, DIN 2501 PN10/16, ANSI/ASME B 16.5 Class 150, BS 1560: 1989 Class 125/150; BS 4504 PN10/16, JIS B 2220 10K, JIS B 2239 10K
- For easy installation and removal
- Voltage 100-230V, 50-60Hz
- Factory set control range 0-90°
- Heating element, position feedback (Open/Close/ Middle)
- Manual override integrated in electric actuator
- Suitable for water and water treatment applications (e.g. sea water, drinking water and industrial water)
- Switching Ring for the double sensor for electrical position feedback is pre-assembled. Double sensor can be ordered as accessory

Option:

- Individual configuration of the valve possible
- Hand or pneumatic actuators from GF
- Double sensor for electrical position feedback incl. LED feedback
- Optional accessories: Fail-safe return unit, Monitoring board, Position controller, Profibus DP board
- Additional manual override between valve and actuator

Note:

For some material combination (e.g. DN300 valves with PE/PP pipes) special flange adapters are needed. Please check the "Perfect flange connection tool" on www.gfps.com



d (mm)	DN (mm)	Size (inch)	PN (bar)	kv-value ($\Delta p=1$ bar) (L/min)	Actuator	EPDM Code	SP	Weight (kg)
63	50	2	10	1445	EA45	199 565 300	1	3.3
75	65	2 ½	10	2530	EA120	199 565 301	1	4.6
90	80	3	10	4020	EA120	199 565 302	1	4.7
110	100	4	10	5850	EA120	199 565 303	1	5.6
140	125	5	10	11900	EA120	199 565 304	1	6.1
160	150	6	10	18050	EA250	199 565 305	1	8.7
225	200	8	10	43667	EA250	199 565 306	1	10.0
280	250	10	6	62333	EA250	199 565 307	1	14.5
315	300	12	4	94500	EA250	199 565 308	1	18.2

d (mm)	FKM Code	SP	Weight (kg)
63	199 565 320	1	3.4
75	199 565 321	1	4.7
90	199 565 322	1	4.8
110	199 565 323	1	5.8
140	199 565 324	1	6.4
160	199 565 325	1	9.0
225	199 565 326	1	10.5
280	199 565 327	1	15.2
315	199 565 328	1	19.4

d (mm)	D2 (mm)	Wmax (mm)	Hmax (mm)	Lmax (mm)	H4 (mm)	V (mm)	V1 (mm)	Lg (mm)	E (mm)	M1 (mm)	M2 (mm)	Y (mm)	Q2 (mm)
63	100.0	122.5	377.5	190.0	23	133.5	63.0	43	122.5	107.5	83	166.5	28.5
75	121.0	132.5	411.5	190.0	23	140.0	82.0	46	122.5	107.5	83	189.5	44.0
90	138.0	137.5	424.0	190.0	23	146.0	89.0	46	122.5	107.5	83	189.5	63.5
110	158.5	158.5	459.5	190.0	23	166.5	104.0	52	122.5	107.5	83	189.5	84.0
140	187.0	187.0	487.5	190.0	23	180.0	118.0	56	122.5	107.5	83	189.5	110.5
160	213.0	213.0	518.5	190.0	23	189.0	130.5	56	122.5	107.5	83	199.5	137.5
225	267.0	267.0	568.0	190.0	23	209.5	159.0	60	122.5	107.5	83	199.5	190.5
280	325.5	325.5	674.5	190.0	23	262.5	195.5	68	122.5	107.5	83	216.5	239.0
315	380.0	380.0	731.0	190.0	23	284.5	230.5	78	122.5	107.5	83	216.5	285.5



Wafer-style intermediate installation butterfly valve type 565 PVDF/PA-GF
With electric actuator 24V
Without manual override
Wafer style metric/ANSI/BS/JIS
Suitable for ABS, PVC-U, PVC-C, ecoFIT, COOL-FIT and PROGEF Systems

Model:

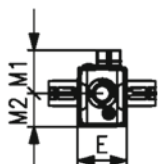
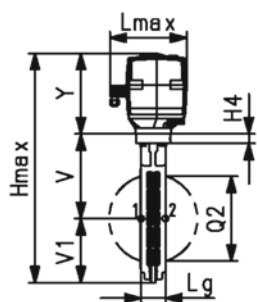
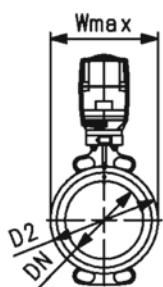
- Installation length: EN558 row 20, ISO 5752 row 20, API 609 table 2
- Flange standards: ISO 7005 PN10/16, EN 1092 PN10/16, DIN 2501 PN10/16, ANSI/ASME B 16.5 Class 150, BS 1560: 1989 Class 125/150; BS 4504 PN10/16, JIS B 2220 10K, JIS B 2239 10K
- For easy installation and removal
- Voltage 24V AC/DC
- Factory set control range 0-90°
- Heating element, position feedback (Open/Close/ Middle)
- Manual override integrated in electric actuator
- Suitable for water and water treatment applications (e.g. sea water, drinking water and industrial water)
- Switching Ring for the double sensor for electrical position feedback is pre-assembled. Double sensor can be ordered as accessory

Option:

- Individual configuration of the valve possible
- Hand or pneumatic actuators from GF
- Double sensor for electrical position feedback incl. LED feedback
- Optional accessories: Fail-safe return unit, Monitoring board, Position controller, Profibus DP board
- Additional manual override between valve and actuator

Note:

For some material combination (e.g. DN300 valves with PE/PP pipes) special flange adapters are needed. Please check the "Perfect flange connection tool" on www.gfps.com



d (mm)	DN (mm)	Size (inch)	PN (bar)	kv-value ($\Delta p=1$ bar) (L/min)	Actuator	EPDM Code	SP	Weight (kg)
63	50	2	10	1445	EA45	199 565 400	1	3.3
75	65	2 ½	10	2530	EA120	199 565 401	1	4.6
90	80	3	10	4020	EA120	199 565 402	1	4.7
110	100	4	10	5850	EA120	199 565 403	1	5.6
140	125	5	10	11900	EA120	199 565 404	1	6.1
160	150	6	10	18050	EA250	199 565 405	1	8.7
225	200	8	10	43667	EA250	199 565 406	1	10.0
280	250	10	6	62333	EA250	199 565 407	1	14.5
315	300	12	4	94500	EA250	199 565 408	1	18.2

d (mm)	FKM Code	SP	Weight (kg)
63	199 565 420	1	3.4
75	199 565 421	1	4.7
90	199 565 422	1	4.8
110	199 565 423	1	5.8
140	199 565 424	1	6.4
160	199 565 425	1	9.0
225	199 565 426	1	10.5
280	199 565 427	1	15.2
315	199 565 428	1	19.4

d (mm)	D2 (mm)	Wmax (mm)	Hmax (mm)	Lmax (mm)	H4 (mm)	V (mm)	V1 (mm)	Lg (mm)	E (mm)	M1 (mm)	M2 (mm)	Y (mm)	Q2 (mm)
63	100.0	122.5	377.5	190	23	133.5	63.0	43	122.5	107.5	83	166.5	28.5
75	121.0	132.5	411.5	190	23	140.0	82.0	46	122.5	107.5	83	189.5	44.0
90	138.0	137.5	424.0	190	23	146.0	89.0	46	122.5	107.5	83	189.5	63.5
110	158.5	158.5	459.5	190	23	166.5	104.0	52	122.5	107.5	83	189.5	84.0
140	187.0	187.0	487.5	190	23	180.0	118.0	56	122.5	107.5	83	189.5	110.5
160	213.0	213.0	518.5	190	23	189.0	130.5	56	122.5	107.5	83	199.5	137.5
225	267.0	267.0	568.0	190	23	209.5	159.0	60	122.5	107.5	83	199.5	190.5
280	325.5	325.5	674.5	190	23	262.5	195.5	68	122.5	107.5	83	216.5	239.0
315	380.0	380.0	731.0	190	23	284.5	230.5	78	122.5	107.5	83	216.5	285.5



Wafer-style intermediate installation butterfly valve type 565 PVDF/PA-GF
With electric actuator 24V
With manual override
Wafer style metric/ANSI/BS/JIS
Suitable for ABS, PVC-U, PVC-C, ecoFIT, COOL-FIT and PROGEF Systems

Model:

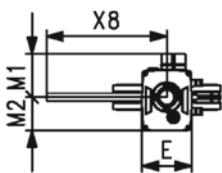
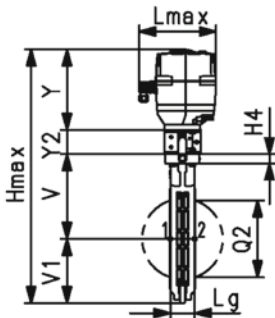
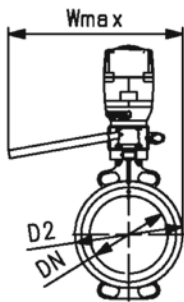
- Installation length: EN558 row 20, ISO 5752 row 20, API 609 table 2
- Flange standards: ISO 7005 PN10/16, EN 1092 PN10/16, DIN 2501 PN10/16, ANSI/ASME B 16.5 Class 150, BS 1560: 1989 Class 125/150; BS 4504 PN10/16, JIS B 2220 10K, JIS B 2239 10K
- For easy installation and removal
- Voltage 24V AC/DC
- Factory set control range 0-90°
- Heating element, position feedback (Open/Close/ Middle)
- Manual override integrated in electric actuator
- With additional manual override between valve and actuator
- Suitable for water and water treatment applications (e.g. sea water, drinking water and industrial water)
- Switching Ring for the double sensor for electrical position feedback is pre-assembled. Double sensor can be ordered as accessory

Option:

- Individual configuration of the valve possible
- Hand or pneumatic actuators from GF
- Double sensor for electrical position feedback incl. LED feedback
- Optional accessories: Fail-safe return unit, Monitoring board, Position controller, Profibus DP board

Note:

For some material combination (e.g. DN300 valves with PE/PP pipes) special flange adapters are needed. Please check the "Perfect flange connection tool" on www.gfps.com

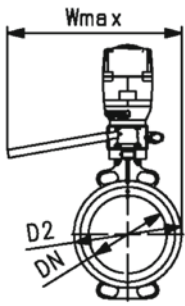


d	Size	DN	PN	kv-value	Actuator	EPDM	SP	Weight
(mm)	(inch)	(mm)	(bar)	($\Delta p=1$ bar)		Code		(kg)
				(L/min)				
63	2	50	10	1445	EA120	199 565 440	1	5.5
75	2 ½	65	10	2530	EA120	199 565 441	1	5.8
90	3	80	10	4020	EA120	199 565 442	1	5.9
110	4	100	10	5850	EA120	199 565 443	1	6.6
140	5	125	10	11900	EA120	199 565 444	1	7.1
160	6	150	10	18050	EA250	199 565 445	1	9.7
225	8	200	10	43667	EA250	199 565 446	1	11.0

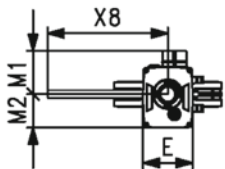
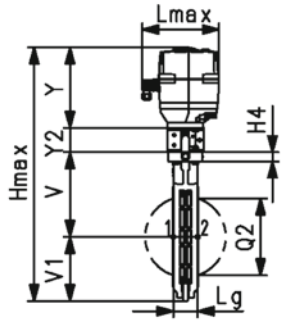
d	Size	FKM	SP	Weight
(mm)	(inch)	Code		(kg)
63	2	199 565 460	1	5.6
75	2 ½	199 565 461	1	5.9
90	3	199 565 462	1	6.0
110	4	199 565 463	1	6.8
140	5	199 565 464	1	7.4
160	6	199 565 465	1	10.0
225	8	199 565 466	1	11.5

d	Size	D2	Wmax	Hmax	Lmax	H4	V	V1	Lg	E	M1	M2	X8
(mm)	(inch)	(mm)	(mm)	(mm)	(mm)	(mm)	(mm)	(mm)	(mm)	(mm)	(mm)	(mm)	(mm)
63	2	100.0	385.5	96.0	190	23	133.5	63.0	43	122.5	107.5	83	297.5
75	2 ½	121.0	385.5	96.0	190	23	140.0	82.0	46	122.5	107.5	83	297.5
90	3	138.0	385.5	96.0	190	23	146.0	89.0	46	122.5	107.5	83	297.5
110	4	158.5	385.5	96.0	190	23	166.5	104.0	52	122.5	107.5	83	297.5
140	5	187.0	385.5	189.5	190	23	180.0	118.0	56	122.5	107.5	83	297.5
160	6	213.0	385.5	106.0	190	23	189.0	130.5	56	122.5	107.5	83	297.5
225	8	267.0	385.5	106.0	190	23	209.5	159.0	60	122.5	107.5	83	297.5

d	Size	Y	Y2	Q2
(mm)	(inch)	(mm)	(mm)	(mm)
63	2	189.5	60	28.5
75	2 ½	189.5	60	44.0
90	3	189.5	60	63.5



d	Size	Y	Y2	Q2
(mm)	(inch)	(mm)	(mm)	(mm)
110	4	189.5	60	84.0
140	5	189.5	60	110.5
160	6	199.5	60	137.5
225	8	199.5	60	190.5





Wafer-style intermediate installation butterfly valve type 565 PVDF/PA-GF
Smart electric actuator 230V
Without manual override
Wafer style metric/ANSI/BS/JIS
Suitable for ABS, PVC-U, PVC-C, ecoFIT, COOL-FIT and PROGEF Systems

Model:

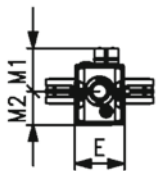
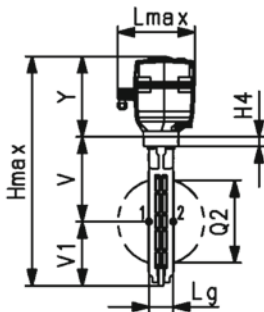
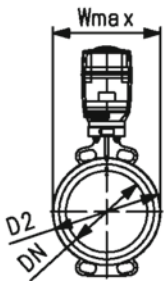
- Installation length: EN558 row 20, ISO 5752 row 20, API 609 table 2
- Flange standards: ISO 7005 PN10/16, EN 1092 PN10/16, DIN 2501 PN10/16, ANSI/ASME B 16.5 Class 150, BS 1560: 1989 Class 125/150; BS 4504 PN10/16, JIS B 2220 10K, JIS B 2239 10K
- For easy installation and removal
- Voltage 100-230V, 50-60Hz
- Factory set control range 0-90°
- Heating element, position feedback (Open/Close/ Middle)
- Connectivity via NFC and Wi-Fi Direct ensuring control, identification and visibility without opening the case
- Most relevant asset data visualized in the app
- Connection and control via app possible
- LED stripe for visual open/close 360° feedback
- Manual override integrated in electric actuator
- Suitable for water and water treatment applications (e.g. sea water, drinking water and industrial water)
- Switching Ring for the double sensor for electrical position feedback is pre-assembled. Double sensor can be ordered as accessory

Option:

- Individual configuration of the valve possible
- Hand or pneumatic actuators from GF
- Double sensor for electrical position feedback incl. LED feedback
- Optional accessories: Fail-safe return unit, Monitoring board, Position controller, Profibus DP board
- Additional manual override between valve and actuator

Note:

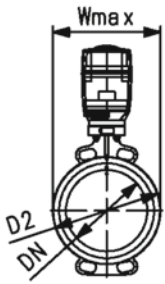
For some material combination (e.g. DN300 valves with PE/PP pipes) special flange adapters are needed. Please check the "Perfect flange connection tool" on www.gfps.com



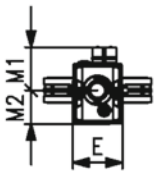
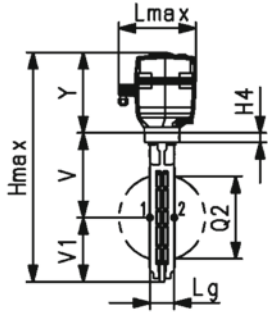
d (mm)	DN (mm)	Size (inch)	PN (bar)	kv-value ($\Delta p=1$ bar) (L/min)	Actuator	EPDM Code	SP	Weight (kg)
63	50	2	10	1445	dEA45	199 565 700	1	4.3
75	65	2 ½	10	2530	dEA120	199 565 701	1	4.6
90	80	3	10	4020	dEA120	199 565 702	1	4.7
110	100	4	10	5850	dEA120	199 565 703	1	5.6
140	125	5	10	11900	dEA120	199 565 704	1	6.1
160	150	6	10	18050	dEA250	199 565 705	1	8.7
225	200	8	10	43667	dEA250	199 565 706	1	10.0
280	250	10	6	62333	dEA250	199 565 707	1	14.5
315	300	12	4	94500	dEA250	199 565 708	1	18.2

d (mm)	FKM Code	SP	Weight (kg)
63	199 565 709	1	4.4
75	199 565 710	1	4.7
90	199 565 711	1	4.8
110	199 565 712	1	5.8
140	199 565 713	1	6.4
160	199 565 714	1	9.0
225	199 565 715	1	10.5
280	199 565 716	1	15.2
315	199 565 717	1	19.4

d (mm)	D2 (mm)	Wmax (mm)	Hmax (mm)	Lmax (mm)	H4 (mm)	V (mm)	V1 (mm)	Lg (mm)	E (mm)	M1 (mm)	M2 (mm)	Y (mm)	Q2 (mm)
63	100.0	122.5	377.5	190	23	133.5	63.0	43	122.5	107.5	83	166.5	28.5
75	121.0	132.5	411.5	190	23	140.0	82.0	46	122.5	107.5	83	189.5	44.0
90	138.0	137.5	424.0	190	23	146.0	89.0	46	122.5	107.5	83	189.5	63.5
110	158.5	158.5	459.5	190	23	166.5	104.0	52	122.5	107.5	83	189.5	84.0
140	187.0	187.0	487.5	190	23	180.0	118.0	56	122.5	107.5	83	189.5	110.5



d	D2	Wmax	Hmax	Lmax	H4	V	V1	Lg	E	M1	M2	Y	Q2
(mm)	(mm)	(mm)	(mm)	(mm)	(mm)	(mm)	(mm)	(mm)	(mm)	(mm)	(mm)	(mm)	(mm)
160	213.0	213.0	518.5	190	23	189.0	130.5	56	122.5	107.5	83	199.5	137.5
225	267.0	267.0	568.0	190	23	209.5	159.0	60	122.5	107.5	83	199.5	190.5
280	325.5	325.5	674.5	190	23	262.5	195.5	68	122.5	107.5	83	216.5	239.0
315	380.0	380.0	731.0	190	23	284.5	230.5	78	122.5	107.5	83	216.5	285.5





Wafer-style intermediate installation butterfly valve type 565 electric PVDF/PA-GF
Smart electric actuator 24V without manual override
Wafer style metric/ANSI/BS/JIS
Suitable for ABS, PVC-U, PVC-C, ecoFIT, COOL-FIT and PROGEF Systems

Model:

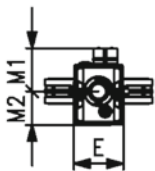
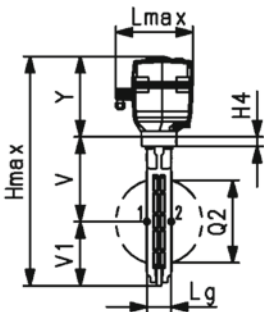
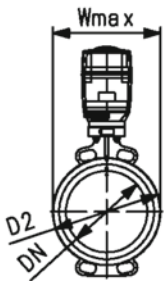
- Installation length: EN558 row 20, ISO 5752 row 20, API 609 table 2
- Flange standards: ISO 7005 PN10/16, EN 1092 PN10/16, DIN 2501 PN10/16, ANSI/ASME B 16.5 Class 150, BS 1560: 1989 Class 125/150; BS 4504 PN10/16, JIS B 2220 10K, JIS B 2239 10K
- For easy installation and removal
- Voltage 24V AC/DC
- Factory set control range 0-90°
- Heating element, position feedback (Open/Close/ Middle)
- Connectivity via NFC and Wi-Fi Direct ensuring control, identification and visibility without opening the case
- Most relevant asset data visualized in the app
- Connection and control via app possible
- LED stripe for visual open/close 360° feedback
- Manual override integrated in electric actuator
- Suitable for water and water treatment applications (e.g. sea water, drinking water and industrial water)
- Switching Ring for the double sensor for electrical position feedback is pre-assembled. Double sensor can be ordered as accessory

Option:

- Individual configuration of the valve possible
- Hand or pneumatic actuators from GF
- Double sensor for electrical position feedback incl. LED feedback
- Optional accessories: Fail-safe return unit, Monitoring board, Position controller, Profibus DP board
- Additional manual override between valve and actuator

Note:

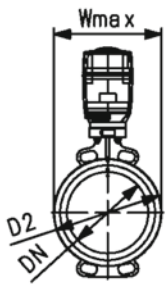
For some material combination (e.g. DN300 valves with PE/PP pipes) special flange adapters are needed. Please check the "Perfect flange connection tool" on www.gfps.com



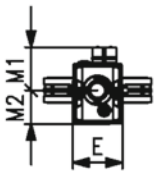
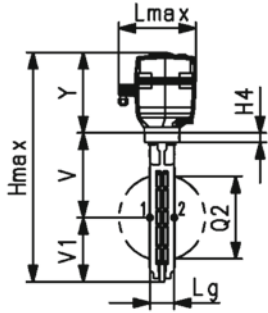
d	Size	DN	PN	kv-value	Actuator	EPDM	SP	Weight
(mm)	(inch)	(mm)	(bar)	($\Delta p=1$ bar)		Code		(kg)
				(L/min)				
63	2	50	10	1445	dEA45	199 565 718	1	4.3
75	2 ½	65	10	2530	dEA120	199 565 719	1	4.6
90	3	80	10	4020	dEA120	199 565 720	1	4.7
110	4	100	10	5850	dEA120	199 565 721	1	5.6
140	5	125	10	11900	dEA120	199 565 722	1	6.1
160	6	150	10	18050	dEA250	199 565 723	1	8.7
225	8	200	10	43667	dEA250	199 565 724	1	10.0
280	10	250	6	62333	dEA250	199 565 725	1	14.5
315	12	300	4	94500	dEA250	199 565 726	1	18.2

d	FKM	SP	Weight
(mm)	Code		(kg)
63	199 565 727	1	4.4
75	199 565 728	1	4.7
90	199 565 729	1	4.8
110	199 565 730	1	5.8
140	199 565 731	1	6.4
160	199 565 732	1	9.0
225	199 565 733	1	10.5
280	199 565 734	1	15.2
315	199 565 735	1	19.4

d	D2	Wmax	Hmax	Lmax	H4	V	V1	Lg	E	M1	M2	Y	Q2
(mm)	(mm)	(mm)	(mm)	(mm)	(mm)	(mm)	(mm)	(mm)	(mm)	(mm)	(mm)	(mm)	(mm)
63	100.0	122.5	377.5	190	23	133.5	63.0	43	122.5	107.5	83	166.5	28.5
75	121.0	132.5	411.5	190	23	140.0	82.0	46	122.5	107.5	83	189.5	44.0
90	138.0	137.5	424.0	190	23	146.0	89.0	46	122.5	107.5	83	189.5	63.5
110	158.5	158.5	459.5	190	23	166.5	104.0	52	122.5	107.5	83	189.5	84.0
140	187.0	187.0	487.5	190	23	180.0	118.0	56	122.5	107.5	83	189.5	110.5



d	D2	Wmax	Hmax	Lmax	H4	V	V1	Lg	E	M1	M2	Y	Q2
(mm)	(mm)	(mm)	(mm)	(mm)	(mm)	(mm)	(mm)	(mm)	(mm)	(mm)	(mm)	(mm)	(mm)
160	213.0	213.0	518.5	190	23	189.0	130.5	56	122.5	107.5	83	199.5	137.5
225	267.0	267.0	568.0	190	23	209.5	159.0	60	122.5	107.5	83	199.5	190.5
280	325.5	325.5	674.5	190	23	262.5	195.5	68	122.5	107.5	83	216.5	239.0
315	380.0	380.0	731.0	190	23	284.5	230.5	78	122.5	107.5	83	216.5	285.5





Lug-style end installation butterfly valve type 565L PVDF/PA-GF
With electric actuator 230V
Flange standard ISO/Metric
Suitable for ABS, PVC-U, PVC-C, ecoFIT, COOL-FIT and PROGEF Systems

Model:

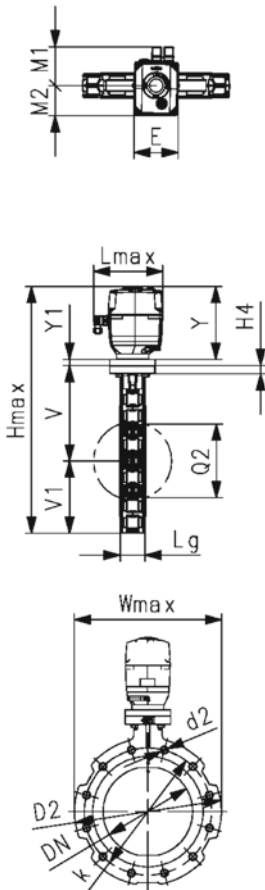
- Installation length: EN558 row 20, ISO 5752 row 20, API 609 table 2
- Flange standards: ISO 7005 PN10/16, EN 1092 PN10/16, DIN 2501 PN10/16
- For easy installation and removal
- Voltage 100-230V, 50-60Hz
- Factory set control range 0-90°
- Heating element, position feedback (Open/Close/ Middle)
- Manual override integrated in electric actuator
- Suitable for water and water treatment applications (e.g. sea water, drinking water and industrial water)

Option:

- Individual configuration of the valve possible
- Hand or pneumatic actuators from GF
- Double sensor for electrical position feedback incl. LED feedback
- Optional accessories: Fail-safe return unit, Monitoring board, Position controller, Profibus DP board
- Additional manual override between valve and actuator

Note:

For some material combination (e.g. DN300 valves with PE/PP pipes) special flange adapters are needed. Please check the "Perfect flange connection tool" on www.gfps.com



d (mm)	DN (mm)	Size (inch)	PN (bar)	kv-value ($\Delta p=1$ bar) (L/min)	Actuator	EPDM Code	Weight (kg)	FKM Code	Weight (kg)
63	50	2	10	1445	EA45	199 575 300	3.300	199 575 320	3.400
75	65	2 ½	10	2530	EA120	199 575 301	4.600	199 575 321	4.700
90	80	3	10	4020	EA120	199 575 302	4.700	199 575 322	4.800
110	100	4	10	5850	EA120	199 575 303	5.600	199 575 323	5.800
140	125	5	10	11900	EA120	199 575 304	6.100	199 575 324	6.400
160	150	6	10	18050	EA250	199 575 305	8.700	199 575 325	9.000
225	200	8	10	43667	EA250	199 575 306	10.000	199 575 326	10.500
280	250	10	6	62333	EA250	199 575 307	14.500	199 575 327	15.200
315	300	12	4	94500	EA250	199 575 308	18.200	199 575 328	19.400

d (mm)	DN (mm)	Hmax (mm)	Lmax (mm)	Wmax (mm)	V (mm)	V1 (mm)	Y (mm)	Lg (mm)	Q2 (mm)	k (mm)	d2 (mm)	D2 (mm)	H4 (mm)	E (mm)
63	50	384.6	190	140	133.3	70.1	166.2	43	28.3	125	M16	155	23	122.3
75	65	410.0	190	161	139.9	80.8	189.3	46	43.8	145	M16	175	23	122.3
90	80	426.2	190	180	145.6	91.3	189.3	46	63.5	160	M16	190	23	122.3
110	100	461.9	190	211	166.4	106.2	189.3	52	83.7	180	M16	221	23	122.3
140	125	489.6	190	239	180.0	120.3	189.3	56	110.4	210	M16	250	23	122.3
160	150	520.7	190	263	189.0	132.4	199.3	56	137.3	240	M20	277	23	122.3
225	200	569.1	190	319	209.5	160.3	199.3	60	191.1	295	M20	337	23	122.3
280	250	677.9	190	403	262.5	199.1	199.3	68	238.9	350	M20	403	23	122.3
315	300	736.1	190	482	284.3	235.5	199.3	78	285.5	400	M20	479	23	122.3

d (mm)	DN (mm)	Y1 (mm)	M1 (mm)	M2 (mm)
63	50	15	107.3	82.7
75	65		107.3	82.7
90	80		107.3	82.7
110	100		107.3	82.7
140	125		107.3	82.7
160	150		107.3	82.7
225	200		107.3	82.7
280	250	17	107.3	82.7
315	300	17	107.3	82.7



Lug-style end installation butterfly valve type 565L PVDF/PA-GF
With electric actuator 230V with additional manual override
Flange standard ISO/Metric
Suitable for ABS, PVC-U, PVC-C, ecoFIT, COOL-FIT and PROGEF Systems

Model:

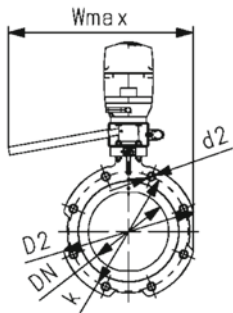
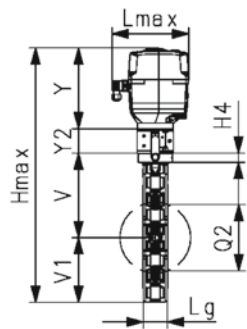
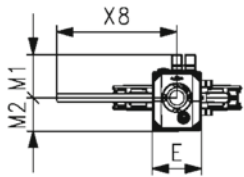
- Installation length: EN558 row 20, ISO 5752 row 20, API 609 table 2
- Flange standards: ISO 7005 PN10/16, EN 1092 PN10/16, DIN 2501 PN10/16
- For easy installation and removal
- Voltage 100-230V, 50-60Hz
- Factory set control range 0-90°
- Heating element, position feedback (Open/Close/ Middle)
- With additional manual override between valve and actuator
- Switching Ring for the double sensor for electrical position feedback is pre-assembled. Double-sensor can be ordered as accessory
- Suitable for water and water treatment applications (e.g. sea water, drinking water and industrial water)

Option:

- Individual configuration of the valve possible
- Hand or pneumatic actuators from GF
- Double sensor for electrical position feedback incl. LED feedback
- Optional accessories: Fail-safe return unit, Monitoring board, Position controller, Profibus DP board

Note:

For some material combination (e.g. DN300 valves with PE/PP pipes) special flange adapters are needed. Please check the "Perfect flange connection tool" on www.gfps.com



d (mm)	DN (mm)	Size (inch)	PN (bar)	kv-value ($\Delta p=1$ bar) (L/min)	Actuator	EPDM Code	Weight (kg)	FKM Code	Weight (kg)
63	50	2	10	1445	EA120	199 575 340	5.500	199 575 360	5.600
75	65	2 ½	10	2530	EA120	199 575 341	5.800	199 575 361	5.900
90	80	3	10	4020	EA120	199 575 342	5.900	199 575 362	6.000
110	100	4	10	5850	EA120	199 575 343	6.600	199 575 363	6.800
140	125	5	10	11900	EA120	199 575 344	7.100	199 575 364	7.400
160	150	6	10	18050	EA250	199 575 345	9.700	199 575 365	10.000
225	200	8	10	43667	EA250	199 575 346	11.000	199 575 366	11.500

d (mm)	DN (mm)	Hmax (mm)	Lmax (mm)	Wmax (mm)	V (mm)	V1 (mm)	Y (mm)	Lg (mm)	Q2 (mm)	k (mm)	d2 (mm)	D2 (mm)	H4 (mm)	E (mm)
63	50	429.6	190	385.0	133.3	70.1	189.3	43	28.3	125	M16	155	23	122.3
75	65	470.0	190	385.0	139.9	80.8	189.3	46	43.8	145	M16	175	23	122.3
90	80	486.2	190	387.5	145.6	91.3	189.3	46	63.5	160	M16	190	23	122.3
110	100	521.9	190	403.0	166.4	106.2	189.3	52	83.7	180	M16	221	23	122.3
140	125	549.6	190	417.0	180.0	120.3	189.3	56	110.4	210	M16	250	23	122.3
160	150	580.7	190	429.0	189.0	132.4	199.3	56	137.3	240	M20	277	23	122.3
225	200	629.1	190	457.0	209.5	160.3	199.3	60	191.1	295	M20	337	23	122.3

d (mm)	DN (mm)	M1 (mm)	M2 (mm)	X8 (mm)	Y2 (mm)
63	50	107.3	82.7	297.5	60
75	65	107.3	82.7	297.5	60
90	80	107.3	82.7	297.5	60
110	100	107.3	82.7	297.5	60
140	125	107.3	82.7	297.5	60
160	150	107.3	82.7	297.5	60
225	200	107.3	82.7	297.5	60



Lug-style end installation butterfly valve type 565L PVDF/PA-GF
With electric actuator 24V
Flange standard ISO/Metric
Suitable for ABS, PVC-U, PVC-C, ecoFIT, COOL-FIT and PROGEF Systems

Model:

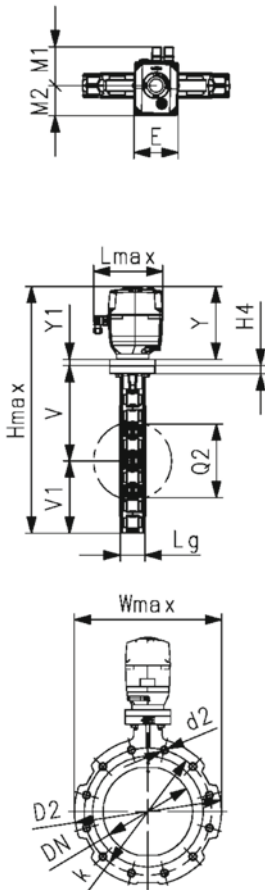
- Installation length: EN558 row 20, ISO 5752 row 20, API 609 table 2
- Flange standards: ISO 7005 PN10/16, EN 1092 PN10/16, DIN 2501 PN10/16
- For easy installation and removal
- Voltage 24V AC/DC
- Factory set control range 0-90°
- Heating element, position feedback (Open/Close/ Middle)
- Manual override integrated in electric actuator
- Suitable for water and water treatment applications (e.g. sea water, drinking water and industrial water)

Option:

- Individual configuration of the valve possible
- Hand or pneumatic actuators from GF
- Double sensor for electrical position feedback incl. LED feedback
- Optional accessories: Fail-safe return unit, Monitoring board, Position controller, Profibus DP board
- Additional manual override between valve and actuator

Note:

For some material combination (e.g. DN300 valves with PE/PP pipes) special flange adapters are needed. Please check the "Perfect flange connection tool" on www.gfps.com



d (mm)	DN (mm)	Size (inch)	PN (bar)	kv-value ($\Delta p=1$ bar) (L/min)	Actuator	EPDM Code	Weight (kg)	FKM Code	Weight (kg)
63	50	2	10	1445	EA45	199 575 400	3.300	199 575 420	3.400
75	65	2 ½	10	2530	EA120	199 575 401	4.600	199 575 421	4.700
90	80	3	10	4020	EA120	199 575 402	4.700	199 575 422	4.800
110	100	4	10	5850	EA120	199 575 403	5.600	199 575 423	5.800
140	125	5	10	11900	EA120	199 575 404	6.100	199 575 424	6.400
160	150	6	10	18050	EA250	199 575 405	8.700	199 575 425	9.000
225	200	8	10	43667	EA250	199 575 406	10.000	199 575 426	10.500
280	250	10	6	62333	EA250	199 575 407	14.500	199 575 427	15.200
315	300	12	4	94500	EA250	199 575 408	18.200	199 575 428	19.400

d (mm)	DN (mm)	Hmax (mm)	Lmax (mm)	Wmax (mm)	V (mm)	V1 (mm)	Y (mm)	Lg (mm)	Q2 (mm)	k (mm)	d2 (mm)	D2 (mm)	H4 (mm)	E (mm)
63	50	384.6	190	140	133.3	70.1	166.2	43	28.3	125	M16	155	23	122.3
75	65	410.0	190	161	139.9	80.8	189.3	46	43.8	145	M16	175	23	122.3
90	80	426.2	190	180	145.6	91.3	189.3	46	63.5	160	M16	190	23	122.3
110	100	461.9	190	211	166.4	106.2	189.3	52	83.7	180	M16	221	23	122.3
140	125	489.6	190	239	180.0	120.3	189.3	56	110.4	210	M16	250	23	122.3
160	150	520.7	190	263	189.0	132.4	199.3	56	137.3	240	M20	277	23	122.3
225	200	569.1	190	319	209.5	160.3	199.3	60	191.1	295	M20	337	23	122.3
280	250	677.9	190	403	262.5	199.1	199.3	68	238.9	350	M20	403	23	122.3
315	300	736.1	190	482	284.3	235.5	199.3	78	285.5	400	M20	479	23	122.3

d (mm)	DN (mm)	Y1 (mm)
63	50	15
75	65	
90	80	
110	100	
140	125	
160	150	
225	200	
280	250	17
315	300	17



Lug-style end installation butterfly valve type 565L PVDF/PA-GF
With electric actuator 24V with additional manual override
Flange standard ISO/Metric
Suitable for ABS, PVC-U, PVC-C, ecoFIT, COOL-FIT and PROGEF Systems

Model:

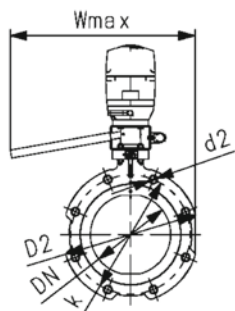
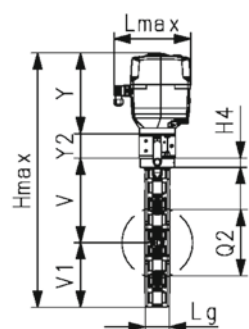
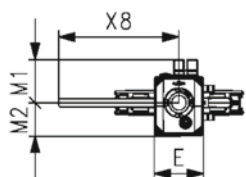
- Installation length: EN558 row 20, ISO 5752 row 20, API 609 table 2
- Flange standards: ISO 7005 PN10/16, EN 1092 PN10/16, DIN 2501 PN10/16
- For easy installation and removal
- Voltage 24V AC/DC
- Factory set control range 0-90°
- Heating element, position feedback (Open/Close/ Middle)
- Manual override integrated in electric actuator
- Switching Ring for the double sensor for electrical position feedback is pre-assembled. Double sensor can be ordered as accessory
- Suitable for water and water treatment applications (e.g. sea water, drinking water and industrial water)

Option:

- Individual configuration of the valve possible
- Hand or pneumatic actuators from GF
- Double sensor for electrical position feedback incl. LED feedback
- Optional accessories: Fail-safe return unit, Monitoring board, Position controller, Profibus DP board

Note:

For some material combination (e.g. DN300 valves with PE/PP pipes) special flange adapters are needed. Please check the "Perfect flange connection tool" on www.gfps.com



d (mm)	DN (mm)	Size (inch)	PN (bar)	kv-value ($\Delta p=1$ bar) (L/min)	Actuator	EPDM Code	Weight (kg)	FKM Code	Weight (kg)
63	50	2	10	1445	EA120	199 575 440	5.500	199 575 460	5.600
75	65	2 ½	10	2530	EA120	199 575 441	5.800	199 575 461	5.900
90	80	3	10	4020	EA120	199 575 442	5.900	199 575 462	6.000
110	100	4	10	5850	EA120	199 575 443	6.600	199 575 463	6.800
140	125	5	10	11900	EA120	199 575 444	7.100	199 575 464	7.400
160	150	6	10	18050	EA250	199 575 445	9.700	199 575 465	10.000
225	200	8	10	43667	EA250	199 575 446	11.000	199 575 466	11.500

d (mm)	DN (mm)	Hmax (mm)	Lmax (mm)	Wmax (mm)	V (mm)	V1 (mm)	Y (mm)	Lg (mm)	Q2 (mm)	k (mm)	d2 (mm)	D2 (mm)	H4 (mm)	E (mm)
63	50	429.6	190	385.0	133.3	70.1	189.3	43	28.3	125	M16	155	23	122.3
75	65	470.0	190	385.0	139.9	80.8	189.3	46	43.8	145	M16	175	23	122.3
90	80	486.2	190	387.5	145.6	91.3	189.3	46	63.5	160	M16	190	23	122.3
110	100	521.9	190	403.0	166.4	106.2	189.3	52	83.7	180	M16	221	23	122.3
140	125	549.6	190	417.0	180.0	120.3	189.3	56	110.4	210	M16	250	23	122.3
160	150	580.7	190	429.0	189.0	132.4	199.3	56	137.3	240	M20	277	23	122.3
225	200	629.1	190	457.0	209.5	160.3	199.3	60	191.1	295	M20	337	23	122.3

d (mm)	DN (mm)	M1 (mm)	M2 (mm)	X8 (mm)	Y2 (mm)
63	50	107.3	82.7	297.5	60
75	65	107.3	82.7	297.5	60
90	80	107.3	82.7	297.5	60
110	100	107.3	82.7	297.5	60
140	125	107.3	82.7	297.5	60
160	150	107.3	82.7	297.5	60
225	200	107.3	82.7	297.5	60



Lug-style end installation butterfly valve type 565L PVDF/PA-GF
Electric, dEA, 100-230V
Flange standard ISO/Metric
Suitable for ABS, PVC-U, PVC-C, ecoFIT, COOL-FIT and PROGEF Systems

Model:

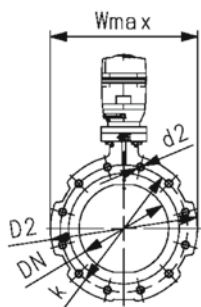
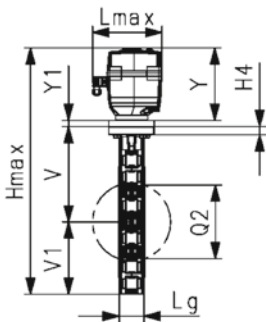
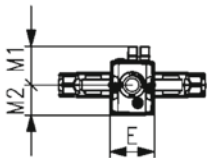
- Installation length: EN558 row 20, ISO 5752 row 20, API 609 table 2
- Flange standards: ISO 7005 PN10/16, EN 1092 PN10/16, DIN 2501 PN10/16
- For easy installation and removal
- Voltage 100-230V, 50-60Hz
- Factory set control range 0-90°
- Heating element, position feedback (Open/Close/ Middle)
- Connectivity via NFC and Wi-Fi Direct ensuring control, identification and visibility without opening the case
- Most relevant asset data visualized in the app
- Connection and control via app possible
- LED stripe for visual open/close 360° feedback
- Manual override integrated in electric actuator
- Suitable for water and water treatment applications (e.g. sea water, drinking water and industrial water)

Option:

- Individual configuration of the valve possible
- Hand or pneumatic actuators from GF
- Double sensor for electrical position feedback incl. LED feedback
- Optional accessories: Fail-safe return unit, Monitoring board, Position controller, Profibus DP board
- Additional manual override between valve and actuator

Note:

For some material combination (e.g. DN300 valves with PE/PP pipes) special flange adapters are needed. Please check the "Perfect flange connection tool" on www.gfps.com

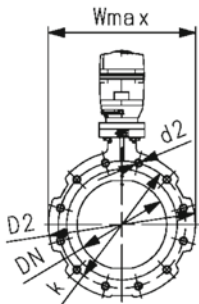
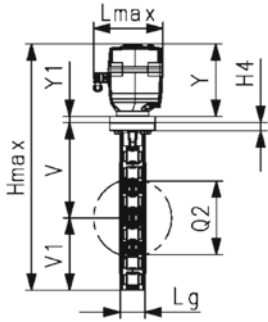
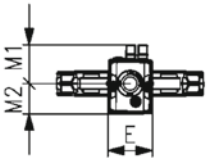


d	DN	Size	PN	kv-value	Actuator	EPDM	Weight	FKM	Weight
(mm)	(mm)	(inch)	(bar)	($\Delta p=1$ bar)		Code	(kg)	Code	(kg)
				(l/min)					
63	50	2	10	1445	dEA45	199 575 700	4.300	199 575 709	4.400
75	65	2 1/2	10	2530	dEA120	199 575 701	4.600	199 575 710	4.700
90	80	3	10	4020	dEA120	199 575 702	4.700	199 575 711	4.800
110	100	4	10	5850	dEA120	199 575 703	5.600	199 575 712	5.800
140	125	5	10	11900	dEA120	199 575 704	6.100	199 575 713	6.400
160	150	6	10	18050	dEA250	199 575 705	8.700	199 575 714	9.000
225	200	8	10	43667	dEA250	199 575 706	10.000	199 575 715	10.500
280	250	10	6	62333	dEA250	199 575 707	14.500	199 575 716	15.200
315	300	12	4	94500	dEA250	199 575 708	18.200	199 575 717	19.400

d	DN	Hmax	Lmax	Wmax	V	V1	Y	Lg	Q2	k	d2	D2	H4	E
(mm)	(mm)	(mm)	(mm)	(mm)	(mm)	(mm)	(mm)	(mm)	(mm)	(mm)	(mm)	(mm)	(mm)	(mm)
63	50	384.6	190	140	133.3	70.1	166.5	43	28.3	125	M16	155	23	122.3
75	65	410.0	190	161	139.9	80.8	189.5	46	43.8	145	M16	175	23	122.3
90	80	426.2	190	180	145.6	91.3	189.5	46	63.5	160	M16	190	23	122.3
110	100	461.9	190	211	166.4	106.2	189.5	52	83.7	180	M16	221	23	122.3
140	125	489.6	190	239	180.0	120.3	189.5	56	110.4	210	M16	250	23	122.3
160	150	520.7	190	263	189.0	132.4	199.5	56	137.3	240	M20	277	23	122.3
225	200	569.1	190	319	209.5	160.3	199.5	60	191.1	295	M20	337	23	122.3
280	250	677.9	190	403	262.5	199.1	199.5	68	238.9	350	M20	403	23	122.3
315	300	736.1	190	482	284.3	235.5	199.5	78	285.5	400	M20	479	23	122.3

d	DN	Y1	M1	M2
(mm)	(mm)	(mm)	(mm)	(mm)
63	50	15	107.5	83
75	65		107.5	83
90	80		107.5	83
110	100		107.5	83
140	125		107.5	83

d	DN	Y1	M1	M2
(mm)	(mm)	(mm)	(mm)	(mm)
160	150		107.5	83
225	200		107.5	83
280	250	17	107.5	83
315	300	17	107.5	83





Lug-style end installation butterfly valve type 565L PVDF/PA-GF
Electric, dEA, 24V
Flange standard ISO/Metric
Suitable for ABS, PVC-U, PVC-C, ecoFIT, COOL-FIT and PROGEF Systems

Model:

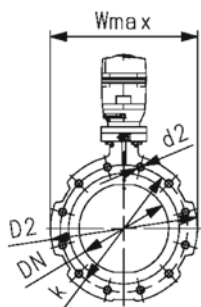
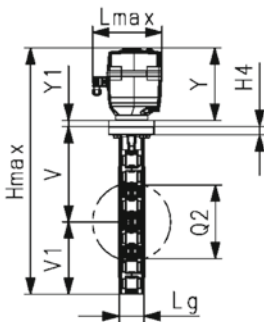
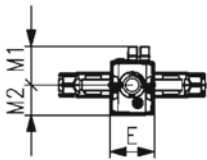
- Installation length: EN558 row 20, ISO 5752 row 20, API 609 table 2
- Flange standards: ISO 7005 PN10/16, EN 1092 PN10/16, DIN 2501 PN10/16
- For easy installation and removal
- Voltage 24V AC/DC
- Factory set control range 0-90°
- Heating element, position feedback (Open/Close/ Middle)
- Connectivity via NFC and Wi-Fi Direct ensuring control, identification and visibility without opening the case
- Most relevant asset data visualized in the app
- Connection and control via app possible
- LED stripe for visual open/close 360° feedback
- Manual override integrated in electric actuator
- Suitable for water and water treatment applications (e.g. sea water, drinking water and industrial water)

Option:

- Individual configuration of the valve possible
- Hand or pneumatic actuators from GF
- Double sensor for electrical position feedback incl. LED feedback
- Optional accessories: Fail-safe return unit, Monitoring board, Position controller, Profibus DP board
- Additional manual override between valve and actuator

Note:

For some material combination (e.g. DN300 valves with PE/PP pipes) special flange adapters are needed. Please check the "Perfect flange connection tool" on www.gfps.com

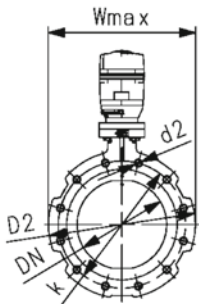
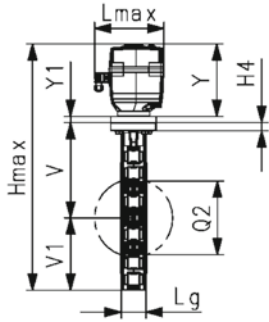
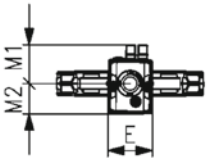


d (mm)	DN (mm)	Size (inch)	PN (bar)	kv-value ($\Delta p=1$ bar) (l/min)	Actuator	EPDM Code	Weight (kg)	FKM Code	Weight (kg)
63	50	2	10	1445	dEA45	199 575 718	4.300	199 575 727	4.400
75	65	2 ½	10	2530	dEA120	199 575 719	4.600	199 575 728	4.700
90	80	3	10	4020	dEA120	199 575 720	4.700	199 575 729	4.800
110	100	4	10	5850	dEA120	199 575 721	5.600	199 575 730	5.800
140	125	5	10	11900	dEA120	199 575 722	6.100	199 575 731	6.400
160	150	6	10	18050	dEA250	199 575 723	8.700	199 575 732	9.000
225	200	8	10	43667	dEA250	199 575 724	10.000	199 575 733	10.500
280	250	10	6	62333	dEA250	199 575 725	14.500	199 575 734	15.200
315	300	12	4	94500	dEA250	199 575 726	18.200	199 575 735	19.400

d (mm)	DN (mm)	Hmax (mm)	Lmax (mm)	Wmax (mm)	V (mm)	V1 (mm)	Y (mm)	Lg (mm)	Q2 (mm)	k (mm)	d2 (mm)	D2 (mm)	H4 (mm)	E (mm)
63	50	384.6	190	140	133.3	70.1	166.5	43	28.3	125	M16	155	23	122.3
75	65	410.0	190	161	139.9	80.8	189.5	46	43.8	145	M16	175	23	122.3
90	80	426.2	190	180	145.6	91.3	189.5	46	63.5	160	M16	190	23	122.3
110	100	461.9	190	211	166.4	106.2	189.5	52	83.7	180	M16	221	23	122.3
140	125	489.6	190	239	180.0	120.3	189.5	56	110.4	210	M16	250	23	122.3
160	150	520.7	190	263	189.0	132.4	199.5	56	137.3	240	M20	277	23	122.3
225	200	569.1	190	319	209.5	160.3	199.5	60	191.1	295	M20	337	23	122.3
280	250	677.9	190	403	262.5	199.1	199.5	68	238.9	350	M20	403	23	122.3
315	300	736.1	190	482	284.3	235.5	199.5	78	285.5	400	M20	479	23	122.3

d (mm)	DN (mm)	Y1 (mm)	M1 (mm)	M2 (mm)
63	50	15	107.5	83
75	65		107.5	83
90	80		107.5	83
110	100		107.5	83
140	125		107.5	83

d	DN	Y1	M1	M2
(mm)	(mm)	(mm)	(mm)	(mm)
160	150		107.5	83
225	200		107.5	83
280	250	17	107.5	83
315	300	17	107.5	83





Lug-style end installation butterfly valve type 565L PVDF/PA-GF
With electric actuator 230V
Flange standard ANSI / ASTM / ASME
Suitable for ABS, PVC-U, PVC-C, ecoFIT, COOL-FIT and PROGEF Systems

Model:

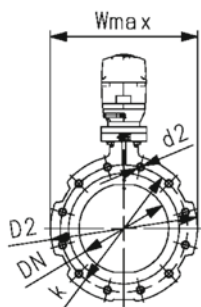
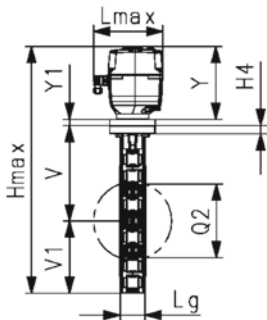
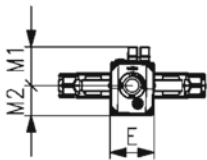
- Installation length: EN558 row 20, ISO 5752 row 20, API 609 table 2
- Flange standards: ANSI/ASME B 16.5 Class 150, BS 1560: 1989 Class 125/150; BS 4504 PN10/16
- For easy installation and removal
- Control time 0-90° 1-2s
- Control pressure supply through integrated NAMUR interface according VDI/VDE 3845 with 5.6 bar (81.2 psi)
- Full plastic solution (actuator housing made of PP-GF)
- Voltage 100-230V, 50-60Hz
- Factory set control range 0-90°
- Heating element, position feedback (Open/Close/ Middle)
- Manual override integrated in electric actuator
- Switching Ring for the double sensor for electrical position feedback is pre-assembled. Double-sensor can be ordered as accessory
- Suitable for water and water treatment applications (e.g. sea water, drinking water and industrial water)

Option:

- Individual configuration of the valve possible
- Hand or electric actuators from GF
- Double sensor for electrical position feedback incl. LED feedback
- Optional accessories: Fail-safe return unit, Monitoring board, Position controller, Profibus DP board

Note:

For some material combination (e.g. DN300 valves with PE/PP pipes) special flange adapters are needed. Please check the "Perfect flange connection tool" on www.gfps.com

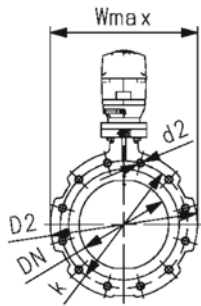
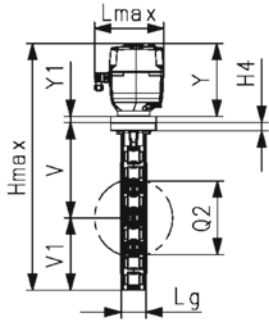
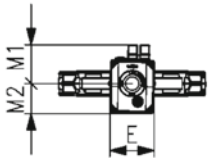


d (mm)	DN (mm)	Size (inch)	PN (bar)	kv-value ($\Delta p=1$ bar) (L/min)	Actuator	EPDM Code	Weight (kg)	FKM Code	Weight (kg)
63	50	2	16	1445	EA45	199 576 300	3.300	199 576 320	3.400
75	65	2 ½	16	2530	EA120	199 576 301	4.600	199 576 321	4.700
90	80	3	16	4020	EA120	199 576 302	4.700	199 576 322	4.800
110	100	4	16	5850	EA120	199 576 303	5.600	199 576 323	5.800
140	125	5	16	11900	EA120	199 576 304	6.100	199 576 324	6.400
160	150	6	16	18050	EA250	199 576 305	8.700	199 576 325	9.000
225	200	8	10	43667	EA250	199 576 306	10.000	199 576 326	10.500
280	250	10	10	62333	EA250	199 576 307	14.500	199 576 327	15.200
315	300	12	6	94500	EA250	199 576 308	18.200	199 576 328	19.400

d (mm)	DN (mm)	Hmax (mm)	Lmax (mm)	Wmax (mm)	V (mm)	V1 (mm)	Y (mm)	Lg (mm)	Q2 (mm)	k (mm)	d2 (mm)	D2 (mm)	H4 (mm)
63	50	384.6	190	140	133.3	70.1	166.2	43	28.3	120.7	UNC 5/8	155	23
75	65	410.0	190	161	139.9	80.8	189.3	46	43.8	139.7	UNC 5/8	175	23
90	80	426.2	190	180	145.6	91.3	189.3	46	63.5	152.4	UNC 5/8	190	23
110	100	461.9	190	211	166.4	106.2	189.3	52	83.7	190.5	UNC 5/8	221	23
140	125	489.6	190	239	180.0	120.3	189.3	56	110.4	215.9	UNC 3/4	250	23
160	150	520.7	190	263	189.0	132.4	199.3	56	137.3	241.3	UNC 3/4	277	23
225	200	569.1	190	319	209.5	160.3	199.3	60	191.1	298.5	UNC 3/4	337	23
280	250	677.9	190	403	262.5	199.1	199.3	68	238.9	362.0	UNC 7/8	403	23
315	300	736.1	190	482	284.3	235.5	199.3	78	285.5	431.8	UNC 7/8	479	23

d (mm)	DN (mm)	E (mm)	Y1 (mm)	M1 (mm)	M2 (mm)
63	50	122.3	15	107.3	82.7
75	65	122.3		107.3	82.7
90	80	122.3		107.3	82.7
110	100	122.3		107.3	82.7
140	125	122.3		107.3	82.7

d	DN	E	Y1	M1	M2
(mm)	(mm)	(mm)	(mm)	(mm)	(mm)
160	150	122.3		107.3	82.7
225	200	122.3		107.3	82.7
280	250	122.3	17	107.3	82.7
315	300	122.3	17	107.3	82.7





Lug-style end installation butterfly valve type 565L PVDF/PA-GF
With electric actuator 230V with additional manual override
Flange standard ANSI / ASTM / ASME
Suitable for ABS, PVC-U, PVC-C, ecoFIT, COOL-FIT and PROGEF Systems

Model:

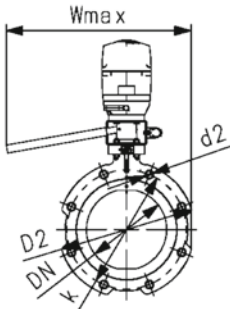
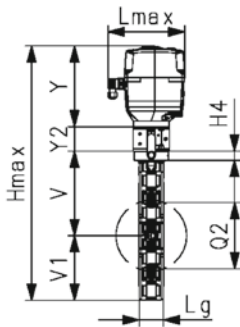
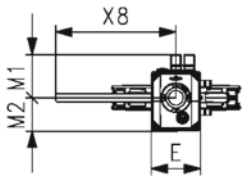
- Installation length: EN558 row 20, ISO 5752 row 20, API 609 table 2
- Flange standards: ANSI/ASME B 16.5 Class 150, BS 1560: 1989 Class 125/150; BS 4504 PN10/16
- For easy installation and removal
- Control time 0-90° 1-2s
- Control pressure supply through integrated NAMUR interface according VDI/VDE 3845 with 5.6 bar (81.2 psi)
- Full plastic solution (actuator housing made of PP-GF)
- Switching Ring for the double sensor for electrical position feedback is pre-assembled. Double-sensor can be ordered as accessory
- Suitable for water and water treatment applications (e.g. sea water, drinking water and industrial water)

Option:

- Individual configuration of the valve possible
- Hand or electric actuators from GF
- Double sensor for electrical position feedback incl. LED feedback
- Optional accessories: Fail-safe return unit, Monitoring board, Position controller, Profibus DP board

Note:

For some material combination (e.g. DN300 valves with PE/PP pipes) special flange adapters are needed. Please check the "Perfect flange connection tool" on www.gfps.com



d (mm)	DN (mm)	Size (inch)	PN (bar)	kv-value ($\Delta p=1$ bar) (L/min)	Actuator	EPDM Code	Weight (kg)	FKM Code	Weight (kg)
63	50	2	16	1445	EA120	199 576 340	5.500	199 576 360	5.600
75	65	2 ½	16	2530	EA120	199 576 341	5.800	199 576 361	5.900
90	80	3	16	4020	EA120	199 576 342	5.900	199 576 362	6.000
110	100	4	16	5850	EA120	199 576 343	6.600	199 576 363	6.800
140	125	5	16	11900	EA120	199 576 344	7.100	199 576 364	7.400
160	150	6	16	18050	EA250	199 576 345	9.700	199 576 365	10.000
225	200	8	10	43667	EA250	199 576 346	11.000	199 576 366	11.500

d (mm)	DN (mm)	Hmax (mm)	Lmax (mm)	Wmax (mm)	V (mm)	V1 (mm)	Y (mm)	Lg (mm)	Q2 (mm)	k (mm)	d2 (mm)	D2 (mm)	H4 (mm)
63	50	429.6	190	385.0	133.3	70.1	189.3	43	28.3	120.7	UNC 5/8	155	23
75	65	470.0	190	385.0	139.9	80.8	189.3	46	43.8	139.7	UNC 5/8	175	23
90	80	486.2	190	387.5	145.6	91.3	189.3	46	63.5	152.4	UNC 5/8	190	23
110	100	521.9	190	403.0	166.4	106.2	189.3	52	83.7	190.5	UNC 5/8	221	23
140	125	549.6	190	417.0	180.0	120.3	189.3	56	110.4	215.9	UNC 3/4	250	23
160	150	580.7	190	429.0	189.0	132.4	199.3	56	137.3	241.3	UNC 3/4	277	23
225	200	629.1	190	457.0	209.5	160.3	199.3	60	191.1	298.5	UNC 3/4	337	23

d (mm)	DN (mm)	E (mm)	M1 (mm)	M2 (mm)	X8 (mm)	Y2 (mm)
63	50	122.3	107.3	82.7	297.5	60
75	65	122.3	107.3	82.7	297.5	60
90	80	122.3	107.3	82.7	297.5	60
110	100	122.3	107.3	82.7	297.5	60
140	125	122.3	107.3	82.7	297.5	60
160	150	122.3	107.3	82.7	297.5	60
225	200	122.3	107.3	82.7	297.5	60



Lug-style end installation butterfly valve type 565L PVDF/PA-GF
With electric actuator 24V
Flange standard ANSI / ASTM / ASME
Suitable for ABS, PVC-U, PVC-C, ecoFIT, COOL-FIT and PROGEF Systems

Model:

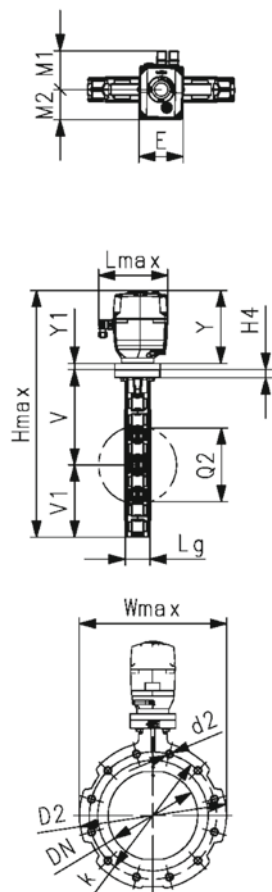
- Installation length: EN558 row 20, ISO 5752 row 20, API 609 table 2
- Flange standards: ANSI/ASME B 16.5 Class 150, BS 1560: 1989 Class 125/150; BS 4504 PN10/16
- For easy installation and removal
- Suitable for water and water treatment applications (e.g. sea water, drinking water and industrial water)
- Switching Ring for the double sensor for electrical position feedback is pre-assembled. Double-sensor can be ordered as accessory

Option:

- Individual configuration of the valve possible
- Hand or electric actuators from GF
- Double sensor for electrical position feedback incl. LED feedback
- Optional accessories: Fail-safe return unit, Monitoring board, Position controller, Profibus DP board

Note:

For some material combination (e.g. DN300 valves with PE/PP pipes) special flange adapters are needed. Please check the "Perfect flange connection tool" on www.gfps.com



d (mm)	DN (mm)	Size (inch)	PN (bar)	kv-value ($\Delta p=1$ bar) (L/min)	Actuator	EPDM Code	Weight (kg)	FKM Code	Weight (kg)
63	50	2	16	1445	EA45	199 576 400	3.300	199 576 420	3.400
75	65	2 ½	16	2530	EA120	199 576 401	4.600	199 576 421	4.700
90	80	3	16	4020	EA120	199 576 402	4.700	199 576 422	4.800
110	100	4	16	5850	EA120	199 576 403	5.600	199 576 423	5.800
140	125	5	16	11900	EA120	199 576 404	6.100	199 576 424	6.400
160	150	6	16	18050	EA250	199 576 405	8.700	199 576 425	9.000
225	200	8	10	43667	EA250	199 576 406	10.000	199 576 426	10.500
280	250	10	10	62333	EA250	199 576 407	14.500	199 576 427	15.200
315	300	12	6	94500	EA250	199 576 408	18.200	199 576 428	19.400

d (mm)	DN (mm)	Hmax (mm)	Lmax (mm)	Wmax (mm)	V (mm)	V1 (mm)	Y (mm)	Lg (mm)	Q2 (mm)	k (mm)	d2 (mm)	D2 (mm)	H4 (mm)
63	50	384.6	190	140	133.3	70.1	166.2	43	28.3	120.7	UNC 5/8	155	23
75	65	410.0	190	161	139.9	80.8	189.3	46	43.8	139.7	UNC 5/8	175	23
90	80	426.2	190	180	145.6	91.3	189.3	46	63.5	152.4	UNC 5/8	190	23
110	100	461.9	190	211	166.4	106.2	189.3	52	83.7	190.5	UNC 5/8	221	23
140	125	489.6	190	239	180.0	120.3	189.3	56	110.4	215.9	UNC 3/4	250	23
160	150	520.7	190	263	189.0	132.4	199.3	56	137.3	241.3	UNC 3/4	277	23
225	200	569.1	190	319	209.5	160.3	199.3	60	191.1	298.5	UNC 3/4	337	23
280	250	677.9	190	403	262.5	199.1	199.3	68	238.9	362.0	UNC 7/8	403	23
315	300	736.1	190	482	284.3	235.5	199.3	78	285.5	431.8	UNC 7/8	479	23

d (mm)	DN (mm)	E (mm)	Y1 (mm)	M1 (mm)	M2 (mm)
63	50	122.3	15	107.3	82.7
75	65	122.3		107.3	82.7
90	80	122.3		107.3	82.7
110	100	122.3		107.3	82.7
140	125	122.3		107.3	82.7
160	150	122.3		107.3	82.7
225	200	122.3		107.3	82.7
280	250	122.3	17	107.3	82.7
315	300	122.3	17	107.3	82.7



Lug-style end installation butterfly valve type 565L PVDF/PA-GF
With electric actuator 24Vwith additional manual override
Flange standard ANSI / ASTM / ASME
Suitable for ABS, PVC-U, PVC-C, ecoFIT, COOL-FIT and PROGEF Systems

Model:

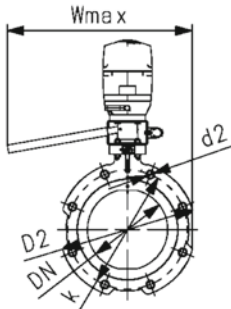
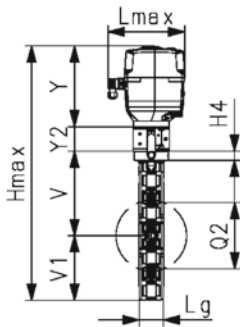
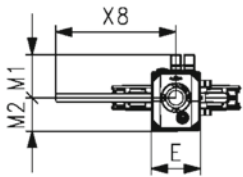
- Installation length: EN558 row 20, ISO 5752 row 20, API 609 table 2
- Flange standards: ANSI/ASME B 16.5 Class 150, BS 1560: 1989 Class 125/150; BS 4504 PN10/16
- For easy installation and removal
- Switching Ring for the double sensor for electrical position feedback is pre-assembled. Double-sensor can be ordered as accessory
- Suitable for water and water treatment applications (e.g. sea water, drinking water and industrial water)

Option:

- Individual configuration of the valve possible
- Hand or electric actuators from GF
- Double sensor for electrical position feedback incl. LED feedback
- Optional accessories: Fail-safe return unit, Monitoring board, Position controller, Profibus DP board

Note:

For some material combination (e.g. DN300 valves with PE/PP pipes) special flange adapters are needed. Please check the "Perfect flange connection tool" on www.gfps.com



d (mm)	DN (mm)	Size (inch)	PN (bar)	kv-100-value ($\Delta p=1$ bar) (L/min)	Actuator	EPDM Code	Weight (kg)	FKM Code	Weight (kg)
63	50	2	16	1445	EA120	199 576 440	5.500	199 576 460	5.600
75	65	2 ½	16	2530	EA120	199 576 441	5.800	199 576 461	5.900
90	80	3	16	4020	EA120	199 576 442	5.900	199 576 462	6.000
110	100	4	16	5850	EA120	199 576 443	6.600	199 576 463	6.800
140	125	5	16	11900	EA120	199 576 444	7.100	199 576 464	7.400
160	150	6	16	18050	EA250	199 576 445	9.700	199 576 465	10.000
225	200	8	10	43667	EA250	199 576 446	11.000	199 576 466	11.500

d (mm)	Hmax (mm)	Lmax (mm)	Wmax (mm)	V (mm)	V1 (mm)	Y (mm)	Lg (mm)	Q2 (mm)	k (mm)	d2 (mm)	D2 (mm)	H4 (mm)	E (mm)
63	429.6	190	385.0	133.3	70.1	189.3	43	28.3	120.7	UNC 5/8	155	23	122.3
75	470.0	190	385.0	139.9	80.8	189.3	46	43.8	139.7	UNC 5/8	175	23	122.3
90	486.2	190	387.5	145.6	91.3	189.3	46	63.5	152.4	UNC 5/8	190	23	122.3
110	521.9	190	403.0	166.4	106.2	189.3	52	83.7	190.5	UNC 5/8	221	23	122.3
140	549.6	190	417.0	180.0	120.3	189.3	56	110.4	215.9	UNC 3/4	250	23	122.3
160	580.7	190	429.0	189.0	132.4	199.3	56	137.3	241.3	UNC 3/4	277	23	122.3
225	629.1	190	457.0	209.5	160.3	199.3	60	191.1	298.5	UNC 3/4	337	23	122.3

d (mm)	X8 (mm)	Y2 (mm)	M1 (mm)	M2 (mm)
63	297.5	60	107.3	82.7
75	297.5	60	107.3	82.7
90	297.5	60	107.3	82.7
110	297.5	60	107.3	82.7
140	297.5	60	107.3	82.7
160	297.5	60	107.3	82.7
225	297.5	60	107.3	82.7



Lug-style end installation butterfly valve type 565L PVDF/PA-GF
Electric, dEA, 100-230V
Flange standard ANSI / ASTM / ASME
Suitable for ABS, PVC-U, PVC-C, ecoFIT, COOL-FIT and PROGEF Systems

Model:

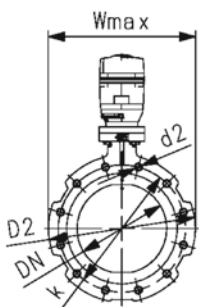
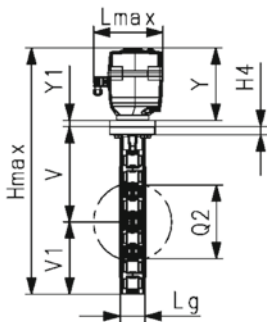
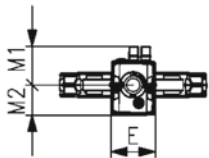
- Installation length: EN558 row 20, ISO 5752 row 20, API 609 table 2
- Flange standards: ANSI/ASME B 16.5 Class 150, BS 1560: 1989 Class 125/150; BS 4504 PN10/16
- For easy installation and removal
- Voltage 100-230V, 50-60Hz
- Factory set control range 0-90°
- Heating element, position feedback (Open/Close/ Middle)
- Connectivity via NFC and Wi-Fi Direct ensuring control, identification and visibility without opening the case
- Most relevant asset data visualized in the app
- Connection and control via app possible
- LED stripe for visual open/close 360° feedback
- Suitable for water and water treatment applications (e.g. sea water, drinking water and industrial water)

Option:

- Individual configuration of the valve possible
- Hand or electric actuators from GF
- Double sensor for electrical position feedback incl. LED feedback
- Optional accessories: Fail-safe return unit, Monitoring board, Position controller, Profibus DP board

Note:

For some material combination (e.g. DN300 valves with PE/PP pipes) special flange adapters are needed. Please check the "Perfect flange connection tool" on www.gfps.com



d (mm)	DN (mm)	Size (inch)	PN (bar)	kv-value (Δp=1 bar) (L/min)	Actuator	EPDM Code	Weight (kg)	FKM Code	Weight (kg)
63	50	2	16	1445	dEA45	199 576 700	4.300	199 576 709	4.400
75	65	2 ½	16	2530	dEA120	199 576 701	4.600	199 576 710	4.700
90	80	3	16	4020	dEA120	199 576 702	4.700	199 576 711	4.800
110	100	4	16	5850	dEA120	199 576 703	5.600	199 576 712	5.800
140	125	5	16	11900	dEA120	199 576 704	6.100	199 576 713	6.400
160	150	6	16	118050	dEA250	199 576 705	8.700	199 576 714	9.000
225	200	8	10	43667	dEA250	199 576 706	10.000	199 576 715	10.500
280	250	10	10	62333	dEA250	199 576 707	14.500	199 576 716	15.200
315	300	12	6	94500	dEA250	199 576 708	18.200	199 576 717	19.400

d (mm)	DN (mm)	Hmax (mm)	Lmax (mm)	Wmax (mm)	V (mm)	V1 (mm)	Y (mm)	Lg (mm)	Q2 (mm)	k (mm)	d2 (mm)	D2 (mm)	H4 (mm)
63	50	384.6	190	140	133.3	70.1	166.5	43	28.3	120.7	UNC 5/8	155	23
75	65	410.0	190	161	139.9	80.8	189.5	46	43.8	139.7	UNC 5/8	175	23
90	80	426.2	190	180	145.6	91.3	189.5	46	63.5	152.4	UNC 5/8	190	23
110	100	461.9	190	211	166.4	106.2	189.5	52	83.7	190.5	UNC 5/8	221	23
140	125	489.6	190	239	180.0	120.3	189.5	56	110.4	215.9	UNC 3/4	250	23
160	150	520.7	190	263	189.0	132.4	199.5	56	137.3	241.3	UNC 3/4	277	23
225	200	569.1	190	319	209.5	160.3	199.5	60	191.1	298.5	UNC 3/4	337	23
280	250	677.9	190	403	262.5	199.1	199.5	68	238.9	362.0	UNC 7/8	403	23
315	300	736.1	190	482	284.3	235.5	199.5	78	285.5	431.8	UNC 7/8	479	23

d (mm)	DN (mm)	E (mm)	Y1 (mm)	M1 (mm)	M2 (mm)
63	50	122.3	15	107.5	83
75	65	122.3		107.5	83
90	80	122.3		107.5	83
110	100	122.3		107.5	83
140	125	122.3		107.5	83
160	150	122.3		107.5	83
225	200	122.3		107.5	83
280	250	122.3	17	107.5	83
315	300	122.3	17	107.5	83



Lug-style end installation butterfly valve type 565L PVDF/PA-GF
Electric, dEA, 24V
Flange standard ANSI / ASTM / ASME
Suitable for ABS, PVC-U, PVC-C, ecoFIT, COOL-FIT and PROGEF Systems

Model:

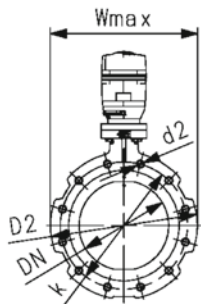
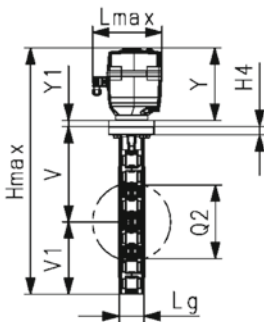
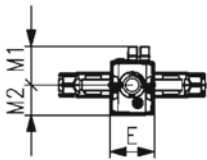
- Installation length: EN558 row 20, ISO 5752 row 20, API 609 table 2
- Flange standards: ANSI/ASME B 16.5 Class 150, BS 1560: 1989 Class 125/150; BS 4504 PN10/16
- For easy installation and removal
- 24 AC/DC
- Voltage 100-230V, 50-60Hz
- Factory set control range 0-90°
- Heating element, position feedback (Open/Close/ Middle)
- Connectivity via NFC and Wi-Fi Direct ensuring control, identification and visibility without opening the case
- Most relevant asset data visualized in the app
- Connection and control via app possible
- LED stripe for visual open/close 360° feedback
- Suitable for water and water treatment applications (e.g. sea water, drinking water and industrial water)

Option:

- Individual configuration of the valve possible
- Hand or pneumatic actuators from GF
- Double sensor for electrical position feedback incl. LED feedback
- Optional accessories: Fail-safe return unit, Monitoring board, Position controller, Profibus DP board

Note:

For some material combination (e.g. DN300 valves with PE/PP pipes) special flange adapters are needed. Please check the "Perfect flange connection tool" on www.gfps.com

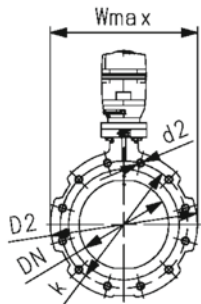
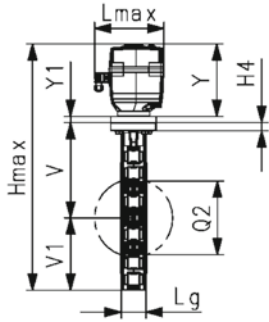
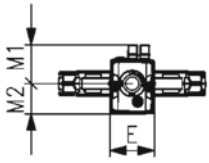


d (mm)	DN (mm)	Size (inch)	PN (bar)	kv-value ($\Delta p=1$ bar) (l/min)	Actuator	EPDM Code	Weight (kg)	FKM Code	Weight (kg)
63	50	2	16	1445	dEA45	199 576 718	4.300	199 576 727	4.400
75	65	2 1/2	16	2530	dEA120	199 576 719	4.600	199 576 728	4.700
90	80	3	16	4020	dEA120	199 576 720	4.700	199 576 729	4.800
110	100	4	16	5850	dEA120	199 576 721	5.600	199 576 730	5.800
140	125	5	16	11900	dEA120	199 576 722	6.100	199 576 731	6.400
160	150	6	16	18050	dEA250	199 576 723	8.700	199 576 732	9.000
225	200	8	10	43667	dEA250	199 576 724	10.000	199 576 733	10.500
280	250	10	10	62333	dEA250	199 576 725	14.500	199 576 734	15.200
315	300	12	6	94500	dEA250	199 576 726	18.200	199 576 735	19.400

d (mm)	DN (mm)	Hmax (mm)	Lmax (mm)	Wmax (mm)	V (mm)	V1 (mm)	Y (mm)	Lg (mm)	Q2 (mm)	k (mm)	d2 (mm)	D2 (mm)	H4 (mm)
63	50	384.6	190	140	133.3	70.1	166.5	43	28.3	120.7	UNC 5/8	155	23
75	65	410.0	190	161	139.9	80.8	189.5	46	43.8	139.7	UNC 5/8	175	23
90	80	426.2	190	180	145.6	91.3	189.5	46	63.5	152.4	UNC 5/8	190	23
110	100	461.9	190	211	166.4	106.2	189.5	52	83.7	190.5	UNC 5/8	221	23
140	125	489.6	190	239	180.0	120.3	189.5	56	110.4	215.9	UNC 3/4	250	23
160	150	520.7	190	263	189.0	132.4	199.5	56	137.3	241.3	UNC 3/4	277	23
225	200	569.1	190	319	209.5	160.3	199.5	60	191.1	298.5	UNC 3/4	337	23
280	250	677.9	190	403	262.5	199.1	199.5	68	238.9	362.0	UNC 7/8	403	23
315	300	736.1	190	482	284.3	235.5	199.5	78	285.5	431.8	UNC 7/8	479	23

d (mm)	DN (mm)	E (mm)	Y1 (mm)	M1 (mm)	M2 (mm)
63	50	122.3	15	107.5	83
75	65	122.3		107.5	83
90	80	122.3		107.5	83
110	100	122.3		107.5	83
140	125	122.3		107.5	83

d	DN	E	Y1	M1	M2
(mm)	(mm)	(mm)	(mm)	(mm)	(mm)
160	150	122.3		107.5	83
225	200	122.3		107.5	83
280	250	122.3	17	107.5	83
315	300	122.3	17	107.5	83



Butterfly valves pneumatic



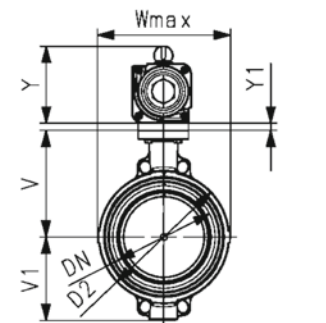
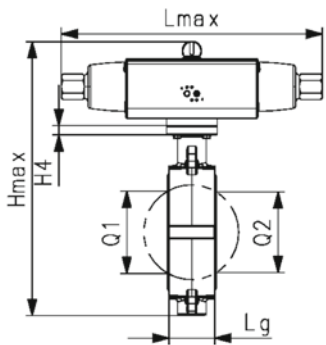
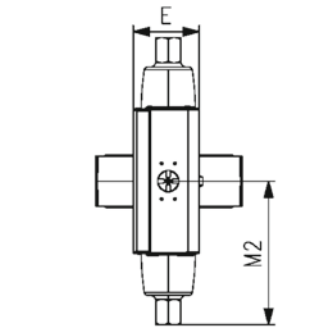
SYGEF Standard Wafer-style intermediate installation butterfly valve type 240
With pneumatic actuator - fail safe to close (FC)
Without manual override
Flange standard metric/ANSI/BS/JIS

Model:

- Material: PVDF
- Control range 90°<
- Overall length according to EN 558, ISO 5752
- Connecting dimension: ISO 7005 PN 10, EN 1092 PN 10, DIN 2501 PN 10, ANSI/ASME B 16.5 Class 150, BS 1560: 1989, BS 4504, JIS B 2220

Note:

For some material combination (e.g. DN300 valves with PE/PP pipes) special flange adapters are needed. Please check the "Perfect flange connection tool" on www.gfps.com



d	Size	DN	PN	kv-value	FKM	SP	Weight	PTFE	SP	Weight
(mm)	(inch)	(mm)	(bar)	($\Delta p=1$ bar)	Code		(kg)	Code		(kg)
				(l/min)						
63	2	50	10	740	199 240 462	1	3.758	199 240 522	1	3.258
75	2 ½	65	10	1500	199 240 463	1	3.173	199 240 523	1	3.370
90	3	80	10	2400	199 240 464	1	3.550	199 240 524	1	3.550
110	4	100	10	3800	199 240 465	1	5.439	199 240 525	1	5.400
140	5	125	10	8600	199 240 466	1	6.997	199 240 526	1	6.997
160	6	150	10	11400	199 240 467	1	10.538	199 240 527	1	10.538
225	8	200	10	19900	199 240 468	1	15.138	199 240 528	1	15.138
280	10	250	10	34000	199 240 469	1	29.670	199 240 529	1	32.529
315	12	300	5	50000	199 240 470	1	38.156	199 240 530	1	38.156

d	Hmax	Lmax	Wmax	U	V	H4	V1	Lg	D2	Q1	Q2	Y	E	Y1
(mm)	(mm)	(mm)	(mm)	(mm)	(mm)	(mm)	(mm)	(mm)	(mm)	(mm)	(mm)	(mm)	(mm)	(mm)
63	325.3	274.4	118.4	90	133.3	23	78.8	45	104	40		98.2	70.4	15.0
75	338.2	274.4	132.5	90	139.9	23	85.1	46	115	54	35	98.2	70.4	15.0
90	362.9	325.2	136.8	90	145.6	23	91.2	49	131	67	50	111.1	83.3	15.0
110	386.9	359.6	161.0	90	166.4	32	105.7	56	161	88	74	114.8	87.0	
140	448.3	418.0	187.0	90	180.0	23	118.8	64	187	113	97	149.5	107.5	
160	473.0	434.0	215.0	90	189.0	23	130.9	72	215	139	123	153.1	111.1	
225	528.8	498.4	267.0	90	210.5	23	158.3	73	267	178	169	160.0	118.0	
280	676.9	646.0	329.0	125	262.6	23	206.1	113	329	210	207	190.0	148.0	18.2
315	741.4	681.0	380.4	125	284.3	23	228.8	113	379	256	253	210.1	168.0	18.2

d	M2
(mm)	(mm)
63	137.2
75	137.2
90	162.6
110	179.8
140	209.0
160	217.0
225	249.2
280	323.0
315	340.5



SYGEF Standard Wafer-style intermediate installation butterfly valve type 240

With pneumatic actuator - fail safe to open (FO)

Without manual override

Flange standard metric/ANSI/BS/JIS

Model:

- Material: PVDF
- Control range 90°<
- Overall length according to EN 558, ISO 5752
- Connecting dimension: ISO 7005 PN 10, EN 1092 PN 10, DIN 2501 PN 10, ANSI/ASME B 16.5 Class 150, BS 1560: 1989, BS 4504, JIS B 2220

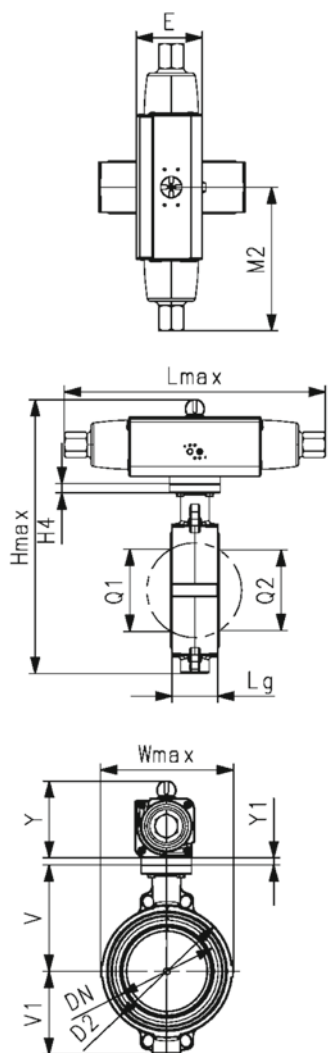
Note:

For some material combination (e.g. DN300 valves with PE/PP pipes) special flange adapters are needed. Please check the "Perfect flange connection tool" on www.gfps.com

d	Size	DN	PN	kv-value	FKM	SP	Weight	PTFE	SP	Weight
(mm)	(inch)	(mm)	(bar)	($\Delta p=1$ bar)	Code		(kg)	Code		(kg)
63	2	50	10	740	199 240 482	1	3.258	199 240 542	1	3.258
75	2 ½	65	10	1500	199 240 483	1	3.370	199 240 543	1	3.370
90	3	80	10	2400	199 240 484	1	3.550	199 240 544	1	3.550
110	4	100	10	3800	199 240 485	1	5.422	199 240 545	1	5.400
140	5	125	10	8600	199 240 486	1	6.997	199 240 546	1	6.997
160	6	150	10	11400	199 240 487	1	10.538	199 240 547	1	10.538
225	8	200	10	19900	199 240 488	1	15.138	199 240 548	1	15.000
280	10	250	10	34000	199 240 489	1	32.529	199 240 549	1	32.529
315	12	300	5	50000	199 240 490	1	37.419	199 240 550	1	37.419

d	Hmax	Lmax	Wmax	U	V	H4	V1	Lg	D2	Q1	Q2	Y	E	Y1
(mm)	(mm)	(mm)	(mm)	(mm)	(mm)	(mm)	(mm)	(mm)	(mm)	(mm)	(mm)	(mm)	(mm)	(mm)
63	325.3	274.4	118.4	90	133.3	23	78.8	45	104	40		98.2	70.4	15.0
75	338.2	274.4	132.5	90	139.9	23	85.1	46	115	54	35	98.2	70.4	15.0
90	362.9	325.2	136.8	90	145.6	23	91.2	49	131	67	50	111.1	83.3	15.0
110	386.9	359.6	161.0	90	166.4	23	105.7	56	161	88	74	114.8	87.0	
140	448.3	418.0	187.0	90	180.0	23	118.8	64	187	113	97	149.5	107.5	
160	473.0	434.0	215.0	90	189.0	23	130.9	72	215	139	123	153.1	111.1	
225	528.8	498.4	267.0	90	210.5	23	158.3	73	267	178	169	160.0	118.0	
280	676.9	646.0	329.0	125	262.6	23	206.1	113	329	210	207	190.0	148.0	18.2
315	741.4	681.0	380.4	125	284.3	23	228.8	113	379	256	253	210.1	168.0	18.2

d	M2
(mm)	(mm)
63	137.2
75	137.2
90	162.6
110	179.8
140	209.0
160	217.0
225	249.2
280	323.0
315	340.5





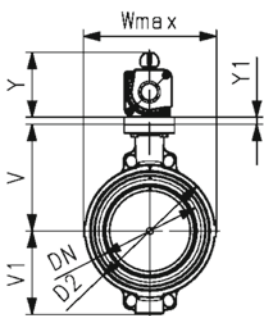
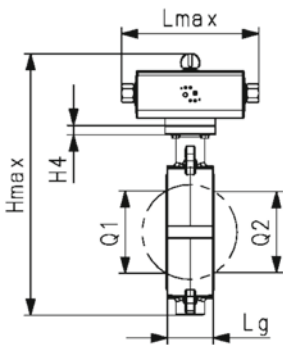
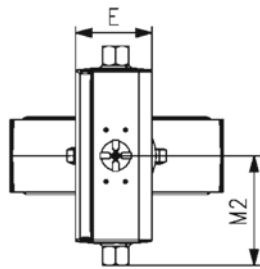
SYGEF Standard Wafer-style intermediate installation butterfly valve type 240
With pneumatic actuator - double acting (DA)
Without manual override
Flange standard metric/ANSI/BS/JIS

Model:

- Material: PVDF
- Control range 90°<
- Overall length according to EN 558, ISO 5752
- Connecting dimension: ISO 7005 PN 10, EN 1092 PN 10, DIN 2501 PN 10, ANSI/ASME B 16.5 Class 150, BS 1560: 1989, BS 4504, JIS B 2220

Note:

For some material combination (e.g. DN300 valves with PE/PP pipes) special flange adapters are needed. Please check the "Perfect flange connection tool" on www.gfps.com



d (mm)	Size (inch)	DN (mm)	PN (bar)	kv-value ($\Delta p=1$ bar) (l/min)	FKM Code	SP	Weight (kg)	PTFE Code	SP	Weight (kg)
63	2	50	10	740	199 240 502	1	2.368	199 240 562	1	2.108
75	2 ½	65	10	1500	199 240 503	1	2.488	199 240 563	1	2.220
90	3	80	10	2400	199 240 504	1	2.970	199 240 564	1	2.881
110	4	100	10	3800	199 240 505	1	3.987	199 240 565	1	3.652
140	5	125	10	8600	199 240 506	1	4.247	199 240 566	1	4.247
160	6	150	10	11400	199 240 507	1	7.017	199 240 567	1	7.017
225	8	200	10	19900	199 240 508	1	9.138	199 240 568	1	9.138
280	10	250	10	34000	199 240 509	1	20.233	199 240 569	1	20.233
315	12	300	5	50000	199 240 510	1	28.223	199 240 570	1	28.223

d (mm)	Hmax (mm)	Lmax (mm)	Wmax (mm)	U (mm)	V (mm)	H4 (mm)	V1 (mm)	Lg (mm)	D2 (mm)	Q1 (mm)	Q2 (mm)	Y (mm)	E (mm)	Y1 (mm)
63	319.4	196.2	118.4	90	133.3	23	78.8	45	104	40		92.3	64.5	15.0
75	332.3	196.2	132.5	90	139.9	23	85.1	46	115	54	35	92.3	64.5	15.0
90	350.0	205.6	136.8	90	145.6	23	91.2	49	131	67	50	98.2	70.4	15.0
110	383.3	242.0	161.0	90	166.4	23	105.7	56	161	88	74	111.2	83.3	
140	410.0	242.0	187.0	90	180.0	23	118.8	64	187	113	97	111.2	83.3	
160	469.4	290.0	215.0	90	189.0	23	130.9	72	215	139	123	149.5	107.5	
225	518.3	290.0	267.0	90	210.5	23	158.3	73	267	178	169	149.5	107.5	
280	646.9	339.6	329.0	125	262.6	23	206.1	113	329	210	207	160.0	118.0	18.2
315	691.3	339.6	380.4	125	284.3	23	228.8	113	379	256	253	160.0	118.0	18.2

d (mm)	M2 (mm)
63	98.1
75	98.1
90	102.8
110	121.0
140	121.0
160	145.0
225	145.0
280	169.8
315	169.8



SYGEF Standard Lug-style end installation butterfly valve type 243

With pneumatic actuator - fail safe to close (FC)

Without manual override

Flange standard metric

Model:

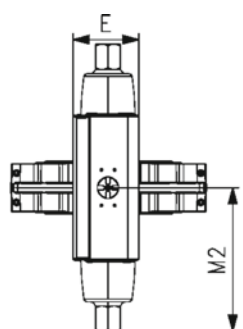
- Housing material: PP-GF30 with SS316 lug-inserts
- Control range 90°<
- Overall length according to EN 558, ISO 5752 (DN50 - 200 line 25, DN250 - 300 line 10)
- Connecting dimension: ISO 7005 PN10, EN 1092 PN10, DIN 2501 PN10

Option:

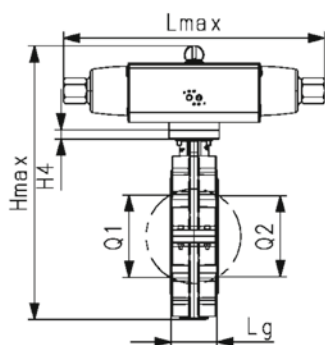
- Optional accessory: Valve-Integrated position feedback with limit switches (limit switches have to be ordered separately)

Note:

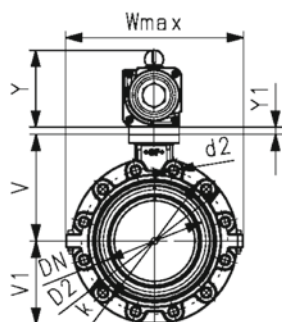
For some material combination (e.g. DN300 valves with PE/PP pipes) special flange adapters are needed. Please check the "Perfect flange connection tool" on www.gfps.com



d (mm)	Size (inch)	DN (mm)	PN (bar)	kv-value (Δp=1 bar) (l/min)	FKM Code	SP	Weight (kg)
63	2	50	10	740	199 243 462	1	3.499
75	2 ½	65	10	1500	199 243 463	1	3.656
90	3	80	10	2400	199 243 464	1	4.692
110	4	100	10	3800	199 243 465	1	6.406
140	5	125	10	8600	199 243 466	1	9.222
160	6	150	10	11400	199 243 467	1	12.902
225	8	200	10	19900	199 243 468	1	16.691
280	10	250	10	34000	199 243 469	1	33.880
315	12	300	10	50000	199 243 470	1	43.985



d (mm)	Hmax (mm)	Lmax (mm)	Wmax (mm)	U (mm)	V (mm)	H4 (mm)	V1 (mm)	Lg (mm)	D2 (mm)	Q1 (mm)	Q2 (mm)	d2 (mm)	k (mm)	Y (mm)
63	328.1	274.4	165.0	90	133.3	23	78.8	44.7	160	40		M16	125	98.2
75	341.0	274.4	182.0	90	139.9	23	85.1	45.7	180	54	35	M16	145	98.2
90	365.7	325.2	210.0	90	145.6	23	91.2	48.7	195	67	50	M16	160	111.1
110	388.3	359.6	240.0	90	166.0	23	107.5	55.6	226	88	74	M16	180	114.8
140	452.2	418.0	272.0	90	180.0	23	122.7	63.5	258	113	97	M16	210	149.5
160	476.6	434.0	280.0	90	189.0	23	134.5	71.5	284	139	123	M20	240	153.1
225	532.0	498.4	360.0	90	210.5	23	161.5	72.5	341	178	169	M20	295	160.0
280	679.5	646.0	440.0	125	264.4	23	206.9	113.2	412	210	207	M20	350	190.0
315	749.0	681.0	510.0	125	285.2	23	235.5	114.6	482	256	253	M20	400	210.1



d (mm)	E (mm)	Y1 (mm)	M2 (mm)
63	70.4	15.0	137.2
75	70.4	15.0	137.2
90	83.3	15.0	162.6
110	87.0		179.8
140	107.5		209.0
160	111.1		217.0
225	118.0		249.2
280	148.0	18.2	323.0
315	168.0	18.2	340.5



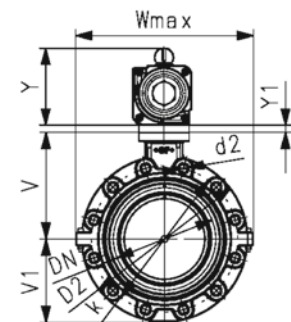
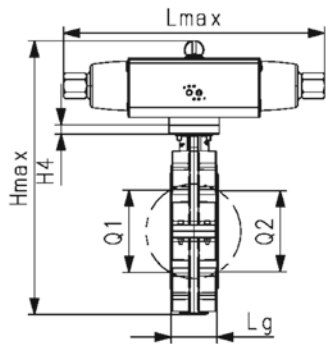
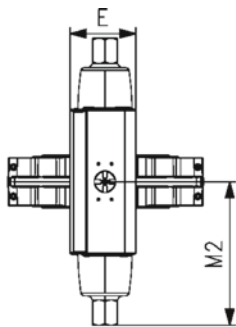
SYGEF Standard Lug-style end installation butterfly valve type 243
With pneumatic actuator - fail safe to open (FO)
Without manual override
Flange standard metric

Model:

- Housing material: PP-GF30 with SS316 lug-inserts
- Control range 90°<
- Overall length according to EN 558, ISO 5752 (DN50 - 200 line 25, DN250 - 300 line 10)
- Connecting dimension: ISO 7005 PN10, EN 1092 PN10, DIN 2501 PN10

Option:

- Optional accessory: Valve-Integrated position feedback with limit switches (limit switches have to be ordered separately)



d (mm)	Size (inch)	DN (mm)	PN (bar)	kv-value ($\Delta p=1$ bar) (l/min)	FKM Code	SP	Weight (kg)
63	2	50	10	740	199 243 482	1	3.499
75	2 ½	65	10	1500	199 243 483	1	3.656
90	3	80	10	2400	199 243 484	1	4.692
110	4	100	10	3800	199 243 485	1	6.406
140	5	125	10	8600	199 243 486	1	9.222
160	6	150	10	11400	199 243 487	1	12.902
225	8	200	10	19900	199 243 488	1	16.691
280	10	250	10	34000	199 243 489	1	33.880
315	12	300	5	50000	199 243 490	1	43.985

d (mm)	Hmax (mm)	Lmax (mm)	Wmax (mm)	U (mm)	V (mm)	H4 (mm)	V1 (mm)	Lg (mm)	D2 (mm)	Q1 (mm)	Q2 (mm)	d2 (mm)	k (mm)	Y (mm)
63	328.1	274.4	165.0	90	133.3	23	78.8	44.7	160	40		M16	125	98.2
75	341.0	274.4	182.0	90	139.9	23	85.1	45.7	180	54	35	M16	145	98.2
90	365.7	325.2	210.0	90	145.6	23	91.2	48.7	195	67	50	M16	160	111.1
110	388.3	359.6	240.0	90	166.0	23	107.5	55.6	226	88	74	M16	180	114.8
140	452.2	418.0	272.0	90	180.0	23	122.7	63.5	258	113	97	M16	210	149.5
160	476.6	434.0	280.0	90	189.0	23	134.5	71.5	284	139	123	M20	240	153.1
225	532.0	498.4	360.0	90	210.5	23	161.5	72.5	341	178	169	M20	295	160.0
280	679.5	646.0	440.0	125	264.4	23	206.9	113.2	412	210	207	M20	350	190.0
315	749.0	681.0	510.0	125	285.2	23	235.5	114.6	482	256	253	M20	400	210.1

d (mm)	E (mm)	Y1 (mm)	M2 (mm)
63	70.4	15.0	137.2
75	70.4	15.0	137.2
90	83.3	15.0	162.6
110	87.0		179.8
140	107.5		209.0
160	111.1		217.0
225	118.0		249.2
280	148.0	18.2	323.0
315	168.0	18.2	340.5



SYGEF Standard Lug-style end installation butterfly valve type 243
With pneumatic actuator - double acting (DA)
Without manual override
Flange standard metric

Model:

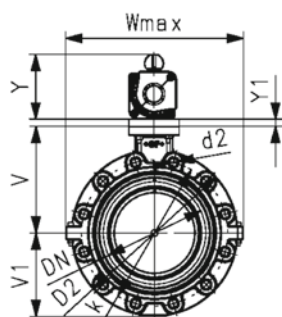
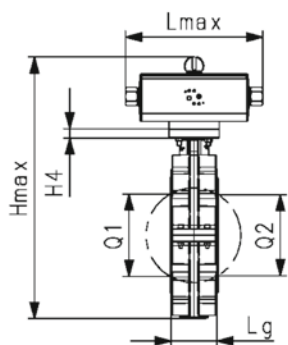
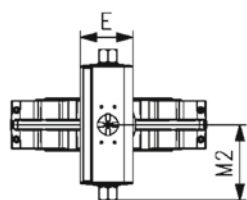
- Housing material: PP-GF30 with SS316 lug-inserts
- Control range 90°<
- Overall length according to EN 558, ISO 5752 (DN50 - 200 line 25, DN250 - 300 line 10)
- Connecting dimension: ISO 7005 PN10, EN 1092 PN10, DIN 2501 PN10

Option:

- Optional accessory: Valve-Integrated position feedback with limit switches (limit switches have to be ordered separately)

Note:

For some material combination (e.g. DN300 valves with PE/PP pipes) special flange adapters are needed. Please check the "Perfect flange connection tool" on www.gfps.com



d	Size	DN	PN	kv-value	FKM	SP	Weight
(mm)	(inch)	(mm)	(bar)	($\Delta p=1$ bar)	Code		(kg)
				(L/min)			
63	2	50	10	740	199 243 502	1	3.499
75	2 ½	65	10	1500	199 243 503	1	3.656
90	3	80	10	2400	199 243 504	1	4.692
110	4	100	10	3800	199 243 505	1	6.406
140	5	125	10	8600	199 243 506	1	9.222
160	6	150	10	11400	199 243 507	1	12.902
225	8	200	10	19900	199 243 508	1	16.691
280	10	250	10	34000	199 243 509	1	33.880
315	12	300	5	50000	199 243 510	1	43.985

d	Hmax	Lmax	Wmax	U	V	H4	V1	Lg	D2	Q1	Q2	d2	k	Y
(mm)	(mm)	(mm)	(mm)	(mm)	(mm)	(mm)	(mm)	(mm)	(mm)	(mm)	(mm)	(mm)	(mm)	(mm)
63	319.4	196.2	165	90	133.3	23	78.8	44.7	160	40		M16	125	92.3
75	332.3	196.2	182	90	139.9	23	85.1	45.7	180	54	35	M16	145	92.3
90	352.8	205.6	210	90	145.6	23	91.2	48.7	195	67	50	M16	160	98.2
110	384.7	242.0	240	90	166.0	23	107.5	55.6	226	88	74	M16	180	111.2
140	413.9	242.0	272	90	180.0	23	122.7	63.5	258	113	97	M16	210	111.2
160	473.0	290.0	280	90	189.0	23	134.5	71.5	284	139	123	M20	240	149.5
225	521.5	290.0	360	90	210.6	23	161.5	72.5	341	178	169	M20	295	149.5
280	649.5	339.6	440	125	264.4	23	206.9	113.2	412	210	207	M20	350	160.0
315	698.9	339.6	510	125	285.2	23	235.5	114.6	482	256	253	M20	400	160.0

d	E	Y1	M2
(mm)	(mm)	(mm)	(mm)
63	64.5	15.0	98.1
75	64.5	15.0	98.1
90	70.4	15.0	102.8
110	83.3		121.0
140	83.3		121.0
160	107.5		145.0
225	107.5		145.0
280	118.0	18.2	169.8
315	118.0	18.2	169.8



SYGEF Standard Lug-style end installation butterfly valve type 244
With pneumatic actuator - fail safe to close (FC)
Without manual override
Flange standard ANSI/ASME

Model:

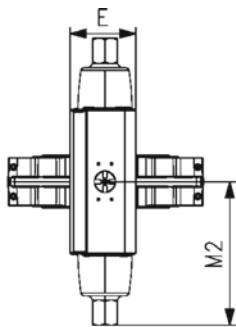
- Housing material: PP-GF30 with SS316 lug-inserts
- Control range 90°<
- Overall length according to EN 558, ISO 5752 (DN50 - 200 line 25, DN250 - 300 line 10)
- Connecting dimension ANSI/ASME B 16.5 Class 150

Option:

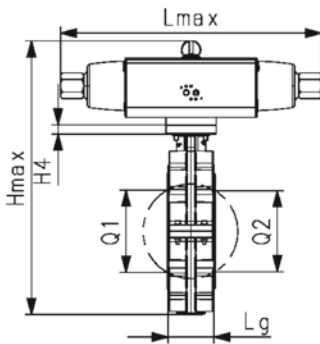
- Optional accessory: Valve-Integrated position feedback with limit switches (limit switches have to be ordered separately)

Note:

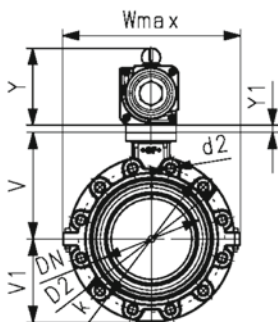
For some material combination (e.g. DN300 valves with PE/PP pipes) special flange adapters are needed. Please check the "Perfect flange connection tool" on www.gfps.com



d	Size	DN	PN	kv-value	FKM	SP	Weight
(mm)	(inch)	(mm)	(bar)	($\Delta p=1$ bar)	Code		(kg)
				(l/min)			
63	2	50	10	740	199 244 462	1	3.500
75	2 ½	65	10	1500	199 244 463	1	3.600
90	3	80	10	2400	199 244 464	1	4.692
110	4	100	10	3800	199 244 465	1	6.400
140	5	125	10	8600	199 244 466	1	9.200
160	6	150	10	11400	199 244 467	1	12.902
225	8	200	10	19900	199 244 468	1	16.700
280		250	10	34000	199 244 469	1	33.900
315		300	5	50000	199 244 470	1	43.900



d	Size	Hmax	Lmax	Wmax	U	V	H4	V1	Lg	D2	Q1	Q2	d2
(mm)	(inch)	(mm)	(mm)	(mm)	(mm)	(mm)	(mm)	(mm)	(mm)	(mm)	(mm)	(mm)	(mm)
63	2	328.1	274.4	165	90	133.3	23	78.8	44.7	160	40		UNC 5/8
75	2 ½	341.0	274.4	182	90	139.9	23	85.1	45.7	180	54	35	UNC 5/8
90	3	365.7	325.2	210	90	145.6	23	91.2	48.7	195	67	50	UNC 5/8
110	4	388.3	359.6	240	90	166.0	23	107.5	55.6	226	88	74	UNC 5/8
140	5	452.2	418.0	272	90	180.0	23	122.7	63.5	258	113	97	UNC 3/4
160	6	476.6	434.0	280	90	189.0	23	134.5	71.5	284	139	123	UNC 3/4
225	8	532.0	498.4	360	90	210.5	23	161.5	72.5	341	178	169	UNC 3/4
280		679.5	646.0	440	125	264.4	23	206.9	113.2	412	210	207	UNC 7/8
315		749.0	681.0	510	125	285.2	23	235.5	114.6	482	256	253	UNC 7/8



d	Size	k	Y	E	Y1	M2
(mm)	(inch)	(mm)	(mm)	(mm)	(mm)	(mm)
63	2	120.7	98.2	70.4	15.0	137.2
75	2 ½	139.7	98.2	70.4	15.0	137.2
90	3	152.4	111.1	83.3	15.0	162.6
110	4	190.5	114.8	87.0		179.8
140	5	215.9	149.5	107.5		209.0
160	6	241.3	153.1	111.1		217.0
225	8	298.5	160.0	118.0		249.2
280		362.0	190.0	148.0	18.2	323.0
315		431.8	210.1	168.0	18.2	340.5



SYGEF Standard Lug-style end installation butterfly valve type 244
With pneumatic actuator - fail safe to open (FO)
Without manual override
Flange standard ANSI/ASME

Model:

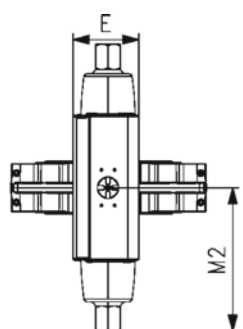
- Housing material: PP-GF30 with SS316 lug-inserts
- Control range 90°<
- Overall length according to EN 558, ISO 5752 (DN50 - 200 line 25, DN250 - 300 line 10)
- Connecting dimension ANSI/ASME B 16.5 Class 150

Option:

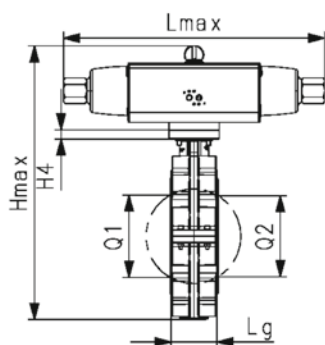
- Optional accessory: Valve-Integrated position feedback with limit switches (limit switches have to be ordered separately)

Note:

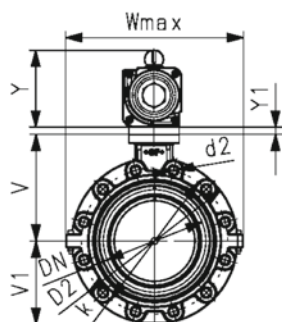
For some material combination (e.g. DN300 valves with PE/PP pipes) special flange adapters are needed. Please check the "Perfect flange connection tool" on www.gfps.com



d	Size	DN	PN	kv-value	FKM	SP	Weight
(mm)	(inch)	(mm)	(bar)	($\Delta p=1$ bar)	Code		(kg)
				(l/min)			
63	2	50	10	740	199 244 482	1	3.499
75	2 ½	65	10	1500	199 244 483	1	3.656
90	3	80	10	2400	199 244 484	1	4.692
110	4	100	10	3800	199 244 485	1	6.406
140	5	125	10	8600	199 244 486	1	9.222
160	6	150	10	11400	199 244 487	1	12.902
225	8	200	10	19900	199 244 488	1	16.691
280	10	250	10	34000	199 244 489	1	33.880
315	12	300	5	50000	199 244 490	1	43.985



d	Size	Hmax	Lmax	Wmax	U	V	H4	V1	Lg	D2	Q1	Q2	d2
(mm)	(inch)	(mm)	(mm)	(mm)	(mm)	(mm)	(mm)	(mm)	(mm)	(mm)	(mm)	(mm)	(mm)
63	2	328.1	274.4	165	90	133.3	23	78.8	44.7	160	40		UNC 5/8
75	2 ½	341.0	274.4	182	90	139.9	23	85.1	45.7	180	54	35	UNC 5/8
90	3	365.7	325.2	210	90	145.6	23	91.2	48.7	195	67	50	UNC 5/8
110	4	388.3	359.6	240	90	166.0	23	107.5	55.6	226	88	74	UNC 5/8
140	5	452.2	418.0	272	90	180.0	23	122.7	63.5	258	113	97	UNC 5/8
160	6	476.6	434.0	280	90	189.0	23	134.5	71.5	284	139	123	UNC 5/8
225	8	532.0	498.4	360	90	210.5	23	161.5	72.5	341	178	169	UNC 5/8
280	10	679.5	646.0	440	125	264.4	23	206.9	113.2	412	210	207	UNC 5/8
315	12	749.0	681.0	510	125	285.2	23	235.5	114.6	482	256	253	UNC 5/8



d	Size	k	Y	E	Y1	M2
(mm)	(inch)	(mm)	(mm)	(mm)	(mm)	(mm)
63	2	120.7	98.2	70.4	15.0	137.2
75	2 ½	139.7	98.2	70.4	15.0	137.2
90	3	152.4	111.1	83.3	15.0	162.6
110	4	190.5	114.8	87.0		179.8
140	5	215.9	149.5	107.5		209.0
160	6	241.3	153.1	111.1		217.0
225	8	298.5	160.0	118.0		249.2
280	10	362.0	190.0	148.0	18.2	323.0
315	12	431.8	210.1	168.0	18.2	340.5



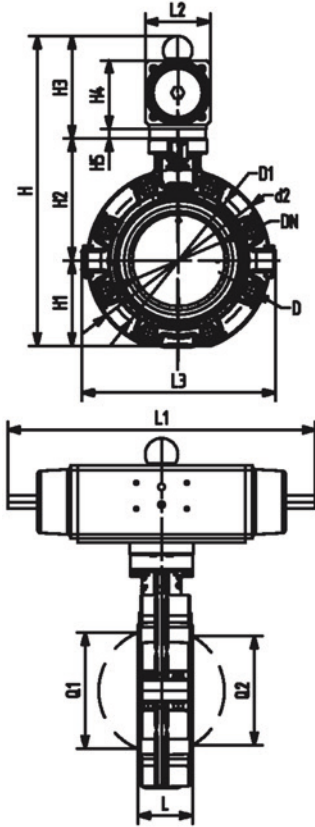
SYGEF Standard Lug-style butterfly valve type 244
FO (Fail safe to open)
Without manual override

Model:

- Housing material: PP-GF30 with SS316 lug-inserts
- Control range 90°<
- Overall length according to EN 558, ISO 5752 (DN50 - 200 line 25, DN250 - 300 line 10)
- Connecting dimension ANSI/ASME B 16.5 Class 150

Option:

- Optional accessory: Valve-Integrated position feedback with limit switches (limit switches have to be ordered separately)



d	Size	DN	PN	kv-value	FKM	SP	Weight
(mm)	(inch)	(mm)	(bar)	($\Delta p=1$ bar)	Code		(kg)
				(l/min)			
63	2	50	10	740	199 244 502	1	4.198
75	2 ½	65	10	1500	199 244 503	1	4.561
90	3	80	10	2400	199 244 504	1	5.470
110	4	100	10	3800	199 244 505	1	7.750
140	5	125	10	8600	199 244 506	1	9.731
160	6	150	10	11400	199 244 507	1	13.500
225	8	200	10	19900	199 244 508	1	19.114
280	10	250	10	34000	199 244 509	1	0.001
315	12	300	5	50000	199 244 510	1	0.001

Actuator unit type	d2	D	D1	H	H1	H2	H3	H4	H5	L	L1	L2	L3
	(mm)		(mm)	(mm)	(mm)	(mm)	(mm)	(mm)	(mm)	(mm)	(mm)	(mm)	(mm)
PA-35 DA	160	UNC 5/8	120.6	318	77	134	107	60	15	45	177	55	165
PA-35 DA	180	UNC 5/8	139.7	330	83	140	107	60	15	46	177	55	182
PA-40 DA	195	UNC 5/8	152.4	348	89	146	113	66	15	49	190	60	210
PA-45 DA	226	UNC 5/8	190.5	384	106	167	111	78		56	235	72	240
PA-45 DA	258	UNC 3/4	215.9	413	121	181	111	78		64	235	72	272
PA-55 DA	284	UNC 3/4	241.3	461	133	189	139	96		72	279	90	300
PA-55 DA	341	UNC 3/4	298.4	508	159	210	139	96		73	279	90	360
PA-65 DA	412	UNC 3/4	362.0	630	205	264	161	118		113	350	112	440
PA-70 DA	482	UNC 3/4	431.8	692	234	285	173	130		113	381	124	510

Q1	Q2
(mm)	(mm)
40	
54	35
67	50
88	74
113	97
139	123
178	169
210	207
256	253



Wafer-style intermediate installation butterfly valve type 565 PVDF/PA-GF
With pneumatic actuator - fail safe to close (FC)
Wafer style metric/ANSI/BS/JIS
Suitable for ABS, PVC-U, PVC-C, ecoFIT, COOL-FIT and PROGEF Systems

Model:

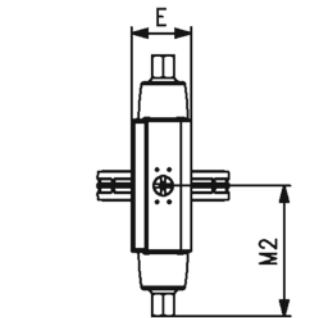
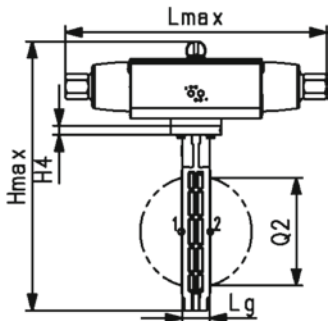
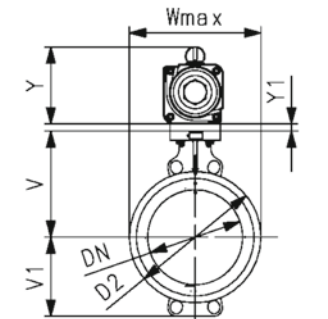
- Installation length: EN558 row 20, ISO 5752 row 20, API 609 table 2
- Flange standards: ISO 7005 PN10/16, EN 1092 PN10/16, DIN 2501 PN10/16, ANSI/ASME B 16.5 Class 150, BS 1560: 1989 Class 125/150; BS 4504 PN10/16, JIS B 2220 10K, JIS B 2239 10K
- For easy installation and removal
- Control time 0-90° 1-2s
- Suitable for water and water treatment applications (e.g. sea water, drinking water and industrial water)
- Switching Ring for the double sensor for electrical position feedback is pre-assembled. Double sensor can be ordered as accessory

Option:

- Individual configuration of the valve possible
- Hand or electric actuators from GF
- Double sensor for electrical position feedback incl. LED feedback

Note:

For some material combination (e.g. DN300 valves with PE/PP pipes) special flange adapters are needed. Please check the "Perfect flange connection tool" on www.gfps.com



d (mm)	Size (inch)	DN (mm)	PN (bar)	kv-value ($\Delta p=1$ bar) (L/min)	Actuator	EPDM Code	SP	Weight (kg)
63	2	50	10	1445	PA30	199 565 500	1	3.2
75	2 ½	65	10	2530	PA30	199 565 501	1	3.5
90	3	80	10	4020	PA35	199 565 502	1	4.3
110	4	100	10	5850	PA40	199 565 503	1	5.9
140	5	125	10	11900	PA45	199 565 504	1	7.9
160	6	150	10	18050	PA50	199 565 505	1	10.7
225	8	200	10	43667	PA60	199 565 506	1	16.4
280	10	250	10	62333	PA65	199 565 507	1	25.5
315	12	300	6	94500	PA70	199 565 508	1	32.1

d (mm)	FKM Code	SP	Weight (kg)
63	199 565 520	1	3.3
75	199 565 521	1	3.6
90	199 565 522	1	4.4
110	199 565 523	1	6.1
140	199 565 524	1	8.2
160	199 565 525	1	11.0
225	199 565 526	1	16.9
280	199 565 527	1	26.2
315	199 565 528	1	33.3

d (mm)	D2 (mm)	Wmax (mm)	Hmax (mm)	Lmax (mm)	H4 (mm)	V (mm)	V1 (mm)	Lg (mm)	E (mm)	M2 (mm)	Y (mm)	Y1 (mm)	Q2 (mm)
63	100.0	118.5	309.5	274.5	23	133.5	63.0	43	70.5	137.2	98.5	15	28.5
75	121.0	132.5	335.5	275.5	23	140.0	82.0	46	70.5	137.2	98.5	15	44.0
90	138.0	138.0	361.0	325.5	23	146.0	89.0	46	83.5	162.6	111.5	15	63.5
110	158.5	158.5	385.5	359.5	23	166.5	104.0	52	87.0	179.8	115.0	0	84.0
140	187.0	187.0	447.5	418.0	23	180.0	118.0	56	107.5	209.0	149.5	0	110.5
160	213.0	213.0	472.5	434.0	23	189.0	130.5	56	111.5	217.0	153.5	0	137.5
225	267.0	267.0	545.5	547.5	23	209.5	159.0	60	135.0	273.6	177.0	0	190.5
280	325.5	325.5	666.0	681.0	23	262.5	195.5	68	148.0	323.0	190.0	18	239.0
315	380.0	380.0	743.0	681.0	23	284.5	230.5	78	168.0	340.5	210.5	18	285.5



Wafer-style intermediate installation butterfly valve type 565 PVDF/PA-GF
With pneumatic actuator - fail safe to open (FO)
Wafer style metric/ANSI/BS/JIS
Suitable for ABS, PVC-U, PVC-C, ecoFIT, COOL-FIT and PROGEF Systems

Model:

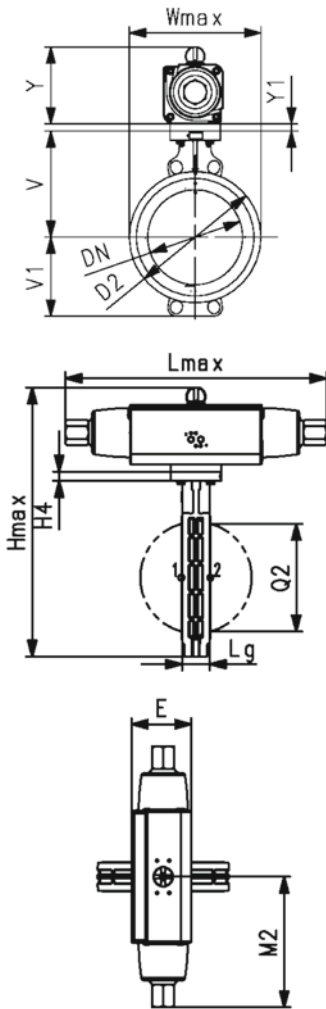
- Installation length: EN558 row 20, ISO 5752 row 20, API 609 table 2
- Flange standards: ISO 7005 PN10/16, EN 1092 PN10/16, DIN 2501 PN10/16, ANSI/ASME B 16.5 Class 150, BS 1560: 1989 Class 125/150; BS 4504 PN10/16, JIS B 2220 10K, JIS B 2239 10K
- For easy installation and removal
- Control time 0-90° 1-2s
- Suitable for water and water treatment applications (e.g. sea water, drinking water and industrial water)
- Switching Ring for the double sensor for electrical position feedback is pre-assembled. Double sensor can be ordered as accessory

Option:

- Individual configuration of the valve possible
- Hand or electric actuators from GF
- Double sensor for electrical position feedback incl. LED feedback

Note:

For some material combination (e.g. DN300 valves with PE/PP pipes) special flange adapters are needed. Please check the "Perfect flange connection tool" on www.gfps.com

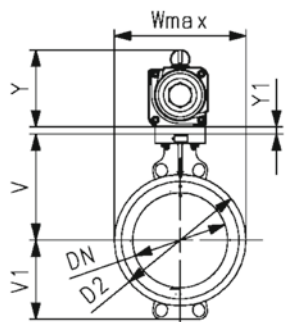


d (mm)	Size (inch)	DN (mm)	PN (bar)	kv-value (Δp=1 bar) (L/min)	Actuator	EPDM Code	SP	Weight (kg)
63	2	50	10	1445	PA30	199 565 540	1	3.2
75	2 ½	65	10	2530	PA30	199 565 541	1	3.5
90	3	80	10	4020	PA35	199 565 542	1	4.3
110	4	100	10	5850	PA40	199 565 543	1	5.9
140	5	125	10	11900	PA45	199 565 544	1	7.9
160	6	150	10	18050	PA50	199 565 545	1	10.7
225	8	200	10	43667	PA60	199 565 546	1	14.8
280	10	250	10	62333	PA65	199 565 547	1	28.4
315	12	300	6	94500	PA70	199 565 548	1	32.1

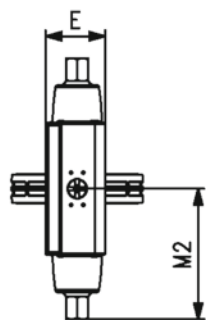
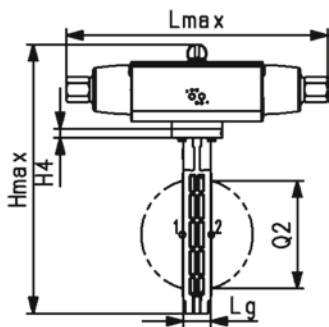
d (mm)	Size (inch)	FKM Code	SP	Weight (kg)
63	2	199 565 560	1	3.3
75	2 ½	199 565 561	1	3.6
90	3	199 565 562	1	4.4
110	4	199 565 563	1	6.1
140	5	199 565 564	1	8.2
160	6	199 565 565	1	11.0
225	8	199 565 566	1	15.3
280	10	199 565 567	1	29.1
315	12	199 565 568	1	33.3

d (mm)	Size (inch)	D2 (mm)	Wmax (mm)	Hmax (mm)	Lmax (mm)	H4 (mm)	V (mm)	V1 (mm)	Lg (mm)	E (mm)	M2 (mm)	Y (mm)	Y1 (mm)
63	2	100.0	118.5	309.5	274.5	23	133.5	63.0	43	70.5	137.5	98.5	15
75	2 ½	121.0	132.5	335.5	275.5	23	140.0	82.0	46	70.5	137.5	98.5	15
90	3	138.0	138.0	361.0	325.5	23	146.0	89.0	46	83.5	163.0	111.5	15
110	4	158.5	158.5	385.5	359.5	23	166.5	104.0	52	87.0	180.0	115.0	0
140	5	187.0	187.0	447.5	418.0	23	180.0	118.0	56	107.5	209.0	149.5	0
160	6	213.0	213.0	472.5	434.0	23	189.0	130.5	56	111.5	217.0	153.5	0
225	8	267.0	267.0	545.5	547.5	23	209.5	159.0	60	135.0	274.0	177.0	0
280	10	325.5	325.5	666.0	681.0	23	262.5	195.5	68	148.0	323.0	190.0	18
315	12	380.0	380.0	743.0	681.0	23	284.5	230.5	78	168.0	340.5	210.5	18

d (mm)	Size (inch)	Q2 (mm)
63	2	28.5
75	2 ½	44.0
90	3	63.5
110	4	84.0



d	Size	Q2
(mm)	(inch)	(mm)
140	5	110.5
160	6	137.5
225	8	190.5
280	10	239.0
315	12	285.5





Wafer-style intermediate installation butterfly valve type 565 PVDF/PA-GF
With pneumatic actuator - double acting (DA)
Wafer style metric/ANSI/BS/JIS
Suitable for ABS, PVC-U, PVC-C, ecoFIT, COOL-FIT and PROGEF Systems

Model:

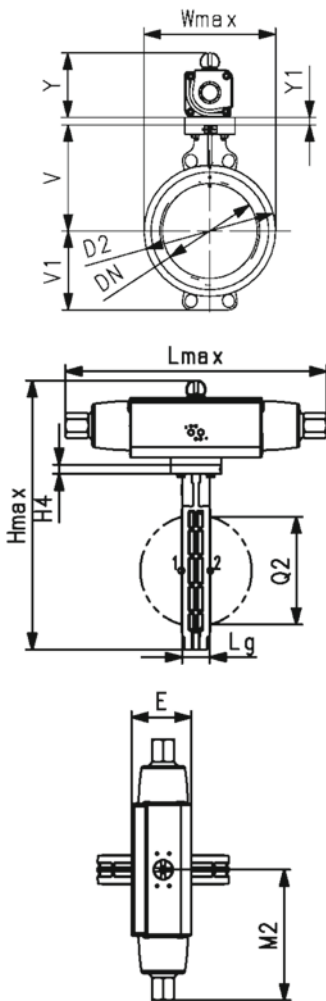
- Installation length: EN558 row 20, ISO 5752 row 20, API 609 table 2
- Flange standards: ISO 7005 PN10/16, EN 1092 PN10/16, DIN 2501 PN10/16, ANSI/ASME B 16.5 Class 150, BS 1560: 1989 Class 125/150; BS 4504 PN10/16, JIS B 2220 10K, JIS B 2239 10K
- For easy installation and removal
- Control time 0-90° 1-2s
- Suitable for water and water treatment applications (e.g. sea water, drinking water and industrial water)
- Switching Ring for the double sensor for electrical position feedback is pre-assembled. Double sensor can be ordered as accessory

Option:

- Individual configuration of the valve possible
- Hand or electric actuators from GF
- Double sensor for electrical position feedback incl. LED feedback

Note:

For some material combination (e.g. DN300 valves with PE/PP pipes) special flange adapters are needed. Please check the "Perfect flange connection tool" on www.gfps.com



d (mm)	Size (inch)	DN (mm)	PN (bar)	kv-value ($\Delta p=1$ bar) (L/min)	Actuator	EPDM Code	SP	Weight (kg)
63	2	50	10	1445	PA35	199 565 600	1	2.6
75	2 ½	65	10	2530	PA35	199 565 601	1	2.9
90	3	80	10	4020	PA40	199 565 602	1	3.4
110	4	100	10	5850	PA45	199 565 603	1	4.5
140	5	125	10	11900	PA45	199 565 604	1	5.1
160	6	150	10	18050	PA55	199 565 605	1	7.7
225	8	200	10	43667	PA60	199 565 606	1	10.7
280	10	250	10	62333	PA65	199 565 607	1	16.9
315	12	300	6	94500	PA70	199 565 608	1	22.4

d (mm)	FKM Code	SP	Weight (kg)
63	199 565 620	1	2.7
75	199 565 621	1	3.0
90	199 565 622	1	3.5
110	199 565 623	1	4.7
140	199 565 624	1	5.4
160	199 565 625	1	8.0
225	199 565 626	1	11.2
280	199 565 627	1	17.6
315	199 565 628	1	23.6

d (mm)	D2 (mm)	Wmax (mm)	Hmax (mm)	Lmax (mm)	H4 (mm)	V (mm)	V1 (mm)	Lg (mm)	E (mm)	M2 (mm)	Y (mm)	Y1 (mm)	Q2 (mm)
63	100.0	118.5	303.5	196.5	23	133.5	63.0	43	64.5	98.5	92.5	15	28.5
75	121.0	132.5	329.5	196.5	23	140.0	82.0	46	64.5	98.5	92.5	15	44.0
90	138.0	138.0	348.0	206.0	23	146.0	89.0	46	70.5	103.0	98.5	15	63.5
110	158.5	158.5	381.5	242.0	23	166.5	104.0	52	83.5	121.0	111.5	0	84.0
140	187.0	187.0	409.0	242.0	23	180.0	118.0	56	83.5	121.0	111.5	0	110.5
160	213.0	213.0	468.5	290.5	23	189.0	130.5	56	107.5	145.5	149.5	0	137.5
225	267.0	267.0	522.0	314.0	23	209.5	159.0	60	111.5	157.0	153.5	0	190.5
280	325.5	325.5	636.0	340.0	23	262.5	195.5	68	118.0	170.0	160.0	18	239.0
315	380.0	380.0	709.5	382.5	23	284.5	230.5	78	135.0	191.5	177.0	18	285.5



Wafer-style intermediate installation butterfly valve type 565 PVDF/PA-GF
With plastic pneumatic actuator - double acting (DA)
Wafer style metric/ANSI/BS/JIS
Suitable for ABS, PVC-U, PVC-C, ecoFIT, COOL-FIT and PROGEF Systems

Model:

- Installation length: EN558 row 20, ISO 5752 row 20, API 609 table 2
- Flange standards: ISO 7005 PN10/16, EN 1092 PN10/16, DIN 2501 PN10/16, ANSI/ASME B 16.5 Class 150, BS 1560: 1989 Class 125/150; BS 4504 PN10/16, JIS B 2220 10K, JIS B 2239 10K
- For easy installation and removal
- Control time 0-90° 1-2s
- Control pressure supply through integrated NAMUR interface according VDI/VDE 3845 with 5.6 bar (81.2 psi)
- Full plastic solution (actuator housing made of PP-GF)
- Switching Ring for the double sensor for electrical position feedback is pre-assembled. Double-sensor can be ordered as accessory

Option:

- Individual configuration of the valve possible
- Hand or electric actuators from GF
- Double sensor for electrical position feedback incl. LED feedback

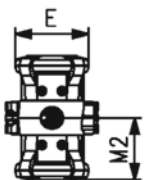
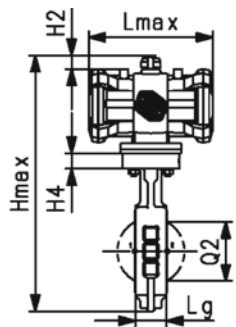
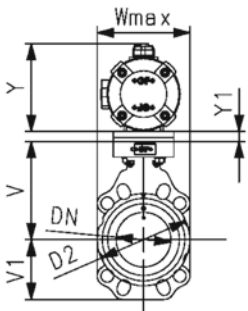
Note:

For some material combination (e.g. DN300 valves with PE/PP pipes) special flange adapters are needed. Please check the "Perfect flange connection tool" on www.gfps.com

d	Size	DN	PN	kv-value	Actuator	EPDM	SP	Weight	
(mm)	(inch)	(mm)	(bar)	($\Delta p=1$ bar)		Code		(kg)	
				(L/min)					
63	2	50	10	1445	PPA40	199 565 630	1	2.396	
75	2 ½	65	10	2530	PPA40	199 565 631	1	2.664	
90	3	80	10	4020	PPA40	199 565 632	1	2.854	

d	FKM	SP	Weight
(mm)	Code		(kg)
63	199 565 690	1	2.396
75	199 565 691	1	2.664
90	199 565 692	1	2.854

d	D2	Wmax	Hmax	Lmax	H2	H4	V	V1	Lg	E	M2	Y	Y1	Q2
(mm)	(mm)	(mm)	(mm)	(mm)	(mm)	(mm)	(mm)	(mm)	(mm)	(mm)	(mm)	(mm)	(mm)	(mm)
63	100	121.2	341.2	183.5	20	23	133.5	63	43.0	119.5	91.8	111	15	28.5
75	121	132.5	367.1	183.5	20	23	140.0	82	46.0	119.5	91.8	111	15	44.0
90	138	138.0	379.8	183.5	20	23	146.0	89	46.0	119.5	91.8	111	15	63.5





Wafer-style intermediate installation butterfly valve type 565 PVDF/PA-GF
With plastic pneumatic actuator - fail safe to close (FC)
Wafer style metric/ANSI/BS/JIS
Suitable for ABS, PVC-U, PVC-C, ecoFIT, COOL-FIT and PROGEF Systems

Model:

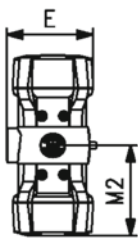
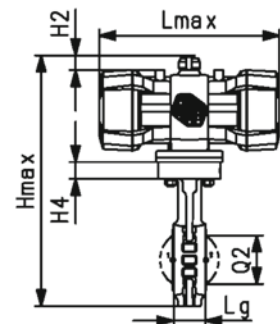
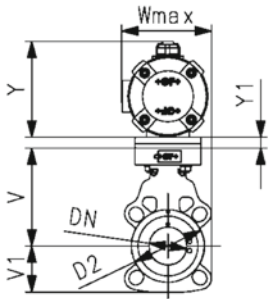
- Installation length: EN558 row 20, ISO 5752 row 20, API 609 table 2
- Flange standards: ISO 7005 PN10/16, EN 1092 PN10/16, DIN 2501 PN10/16, ANSI/ASME B 16.5 Class 150, BS 1560: 1989 Class 125/150; BS 4504 PN10/16, JIS B 2220 10K, JIS B 2239 10K
- For easy installation and removal
- Control time 0-90° 1-2s
- Control pressure supply through integrated NAMUR interface according VDI/VDE 3845 with 5.6 bar (81.2 psi)
- Full plastic solution (actuator housing made of PP-GF)
- Switching Ring for the double sensor for electrical position feedback is pre-assembled. Double-sensor can be ordered as accessory

Option:

- Individual configuration of the valve possible
- Hand or electric actuators from GF
- Double sensor for electrical position feedback incl. LED feedback

Note:

For some material combination (e.g. DN300 valves with PE/PP pipes) special flange adapters are needed. Please check the "Perfect flange connection tool" on www.gfps.com



d (mm)	Size (inch)	DN (mm)	PN (bar)	kv-value (Δp=1 bar) (L/min)	Actuator	EPDM Code	SP	Weight (kg)
63	2	50	10	1445	PPA40	199 565 650	1	2.922
75	2 ½	65	10	2530	PPA80	199 565 651	1	4.905
90	3	80	10	4020	PPA80	199 565 652	1	5.075

d (mm)	FKM Code	SP	Weight (kg)
63	199 565 660	1	2.922
75	199 565 661	1	4.905
90	199 565 662	1	5.075

d (mm)	D2 (mm)	Wmax (mm)	Hmax (mm)	Lmax (mm)	H2 (mm)	H4 (mm)	V (mm)	V1 (mm)	Lg (mm)	E (mm)	M2 (mm)	Y (mm)	Y1 (mm)	Q2 (mm)
63	100	121.2	341.2	245.5	20	23	133.5	63	43	119.5	122.8	111	15	28.5
75	121	140.0	372.2	343.0	20	23	140.0	82	46	141.5	171.5	131	0	44.0
90	138	142.4	384.9	343.0	20	23	146.0	89	46	141.5	171.5	131	0	63.5



Wafer-style intermediate installation butterfly valve type 565 PVDF/PA-GF
With plastic pneumatic actuator - fail safe to open (FO)
Wafer style metric/ANSI/BS/JIS
Suitable for ABS, PVC-U, PVC-C, ecoFIT, COOL-FIT and PROGEF Systems

Model:

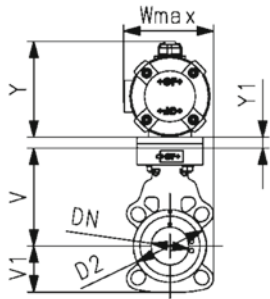
- Installation length: EN558 row 20, ISO 5752 row 20, API 609 table 2
- Flange standards: ISO 7005 PN10/16, EN 1092 PN10/16, DIN 2501 PN10/16, ANSI/ASME B 16.5 Class 150, BS 1560: 1989 Class 125/150; BS 4504 PN10/16, JIS B 2220 10K, JIS B 2239 10K
- For easy installation and removal
- Control time 0-90° 1-2s
- Control pressure supply through integrated NAMUR interface according VDI/VDE 3845 with 5.6 bar (81.2 psi)
- Full plastic solution (actuator housing made of PP-GF)
- Switching Ring for the double sensor for electrical position feedback is pre-assembled. Double-sensor can be ordered as accessory

Option:

- Individual configuration of the valve possible
- Hand or electric actuators from GF
- Double sensor for electrical position feedback incl. LED feedback

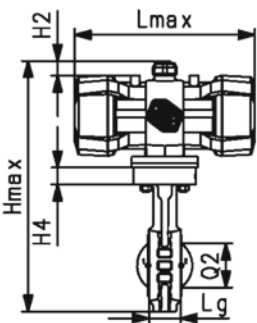
Note:

For some material combination (e.g. DN300 valves with PE/PP pipes) special flange adapters are needed. Please check the "Perfect flange connection tool" on www.gfps.com

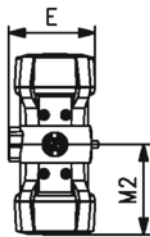


d	Size	DN	PN	kv-value	Actuator	EPDM	SP	Weight	
(mm)	(inch)	(mm)	(bar)	($\Delta p=1$ bar)		Code		(kg)	
				(L/min)					
63	2	50	10	1445	PPA40	199 565 670	1	2.922	
75	2 ½	65	10	2530	PPA80	199 565 671	1	4.905	
90	3	80	10	4020	PPA80	199 565 672	1	5.075	

d	FKM	SP	Weight
(mm)	Code		(kg)
63	199 565 680	1	2.922
75	199 565 681	1	4.905
90	199 565 682	1	5.075



d	D2	Wmax	Hmax	Lmax	H2	H4	V	V1	Lg	E	M2	Y	Y1	Q2
(mm)	(mm)	(mm)	(mm)	(mm)	(mm)	(mm)	(mm)	(mm)	(mm)	(mm)	(mm)	(mm)	(mm)	(mm)
63	100	121.2	341.2	245.5	20	23	133.5	63	43	119.5	122.8	111	15	28.5
75	121	140.0	372.2	343.0	20	23	140.0	82	46	141.5	171.5	131	0	44.0
90	138	142.4	384.9	343.0	20	23	146.0	89	46	141.5	171.5	131	0	63.5



Diaphragm valves electric

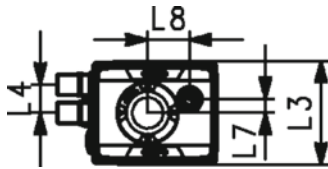
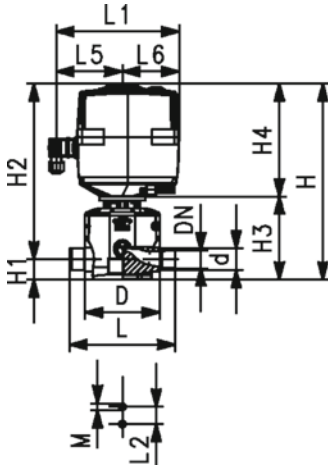
e-DIASTAR Type 515 SYGEF 100-230V With socket fusion spigots metric

Model:

- Voltage 100-230V, 50-60Hz
- Multiturn Actuator
- Heating element, position feedback (Open/Close)
- Integrated manual emergency override
- Integrated stainless steel mounting inserts
- Material: PVDF

Option:

- Other valve and actuator configurations available
- Optional accessories: Fail-safe return unit, Monitoring board, Position controller, Profibus DP board



d (mm)	DN (mm)	Size (inch)	PN (bar)	kv-100-value ($\Delta p=1$ bar) (l/min)	PTFE/FKM Code	Weight (kg)	PTFE/EPDM Code	Weight (kg)
32	25	1	10	442	185 715 054	3.718	185 715 034	3.718
63	50	2	6	1575	185 715 057	6.611	185 715 037	6.611

kv-value ($\Delta p=1$ bar) (l/min)	D (mm)	D1 (mm)	L (mm)	L1 (mm)	L2 (mm)	L3 (mm)	L4 (mm)	L5 (mm)	L6 (mm)	L7 (mm)	L8 (mm)	L9 (mm)	H (mm)
442	109		154	180	25	122	33	97	83	16	49	190	286
1575	168	100	223	180	45	122	33	97	83	16	49		341

H1 (mm)	H2 (mm)	H3 (mm)	H4 (mm)	H5 (mm)	M
30	20	256	121	165	M6
53	29	289	176	165	M8



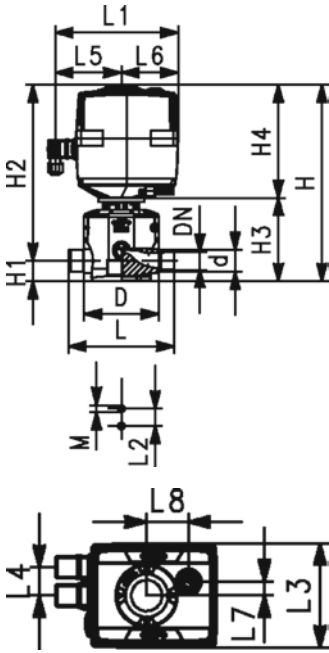
**e-DIASTAR Type 515 SYGEF
24V
With socket fusion spigots metric**

Model:

- Voltage 24V AC/DC
- Multiturn Actuator
- Heating element, position feedback (Open/Close)
- Integrated manual emergency override
- Integrated stainless steel mounting inserts
- Material: PVDF

Option:

- Other valve and actuator configurations available
- Optional accessories: Fail-safe return unit, Monitoring board, Position controller, Profibus DP board



d (mm)	DN Size (mm)	PN (inch)	PN (bar)	kv-100-value ($\Delta p=1$ bar) (l/min)	PTFE/FKM Code	Weight (kg)	PTFE/EPDM Code	Weight (kg)
32	25	1	10	442	185 705 054	3.718	185 705 034	3.718
63	50	2	6	1575	185 705 057	6.611	185 705 037	6.611

kv-value ($\Delta p=1$ bar) (l/min)	D (mm)	L (mm)	L1 (mm)	L2 (mm)	L3 (mm)	L4 (mm)	L5 (mm)	L6 (mm)	L7 (mm)	L8 (mm)	L9 (mm)	H (mm)	H1 (mm)
442	109	154	180	25	122	33	97	83	16	49	190	286	30
1575	168	223	180	45	122	33	97	83	16	49		341	53

H2 (mm)	H3 (mm)	H4 (mm)	H5 (mm)	M
20	256	121	165	M6
29	289	176	165	M8



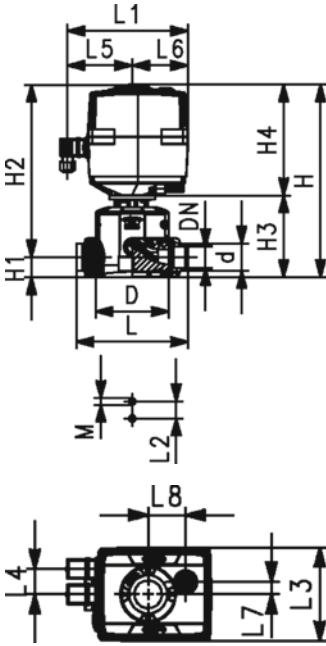
e-DIASTAR Type 514 SYGEF
100-230V
With fusion sockets metric

Model:

- Voltage 100-230V, 50-60Hz
- Multiturn Actuator
- Heating element, position feedback (Open/Close)
- Integrated manual emergency override
- Integrated stainless steel mounting inserts
- Material: PVDF

Option:

- Other valve and actuator configurations available
- Optional accessories: Fail-safe return unit, Monitoring board, Position controller, Profibus DP board

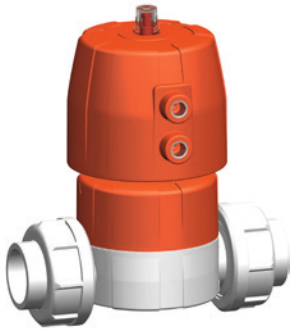


d (mm)	DN (mm)	Size (inch)	PN (bar)	kv-100-value ($\Delta p=1$ bar) (l/min)	PTFE/FKM Code	Weight (kg)	PTFE/EPDM Code	Weight (kg)
32	25	1	10	442	185 714 054	3.872	185 714 034	3.872
63	50	2	6	1575	185 714 057	7.251	185 714 037	7.251

kv-value ($\Delta p=1$ bar) (l/min)	D (mm)	D1 (mm)	L (mm)	L1 (mm)	L2 (mm)	L3 (mm)	L4 (mm)	L5 (mm)	L6 (mm)	L7 (mm)	L8 (mm)	L9 (mm)	H (mm)
442	109	60	166	180	25	122	33	97	83	16	49	190	286
1575	168	100	266	180	45	122	33	97	83	16	49		341

H1 (mm)	H2 (mm)	H3 (mm)	H4 (mm)	H5 (mm)	z (mm)	M
30	20	256	121	165	122	M6
53	29	289	176	165	190	M8

Diaphragm valves pneumatic New generation



SYGEF Standard Diaphragm valve DIASTAR Ten FC (Fail safe to close) Unions with fusion sockets metric

Model:

- Material: PVDF
- Double flow rate compared to predecessor
- One housing nut replaces four screws
- Rotating air connection at 90° intervals
- For easy installation and removal
- Short overall length

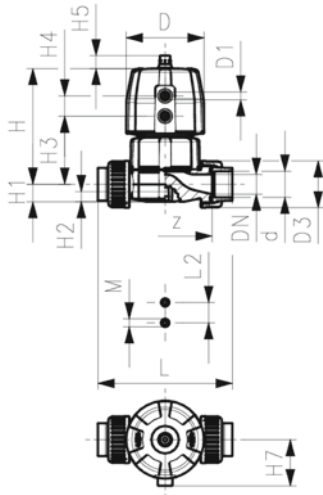
Option:

- Individual configuration of the valve
- Comprehensive range of accessories available

* PN: PTFE

Working Pressure: **one side**

* O-Ring material: FKM

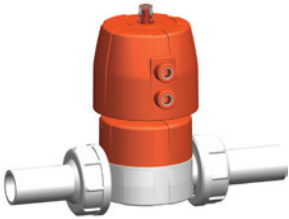


d (mm)	DN (mm)	PN* (bar)	kv-value ($\Delta p=1$ bar) (L/min)	PTFE/ EPDM* Code	SP	Weight (kg)	PTFE/FKM* Code	SP	Weight (kg)
20	15	10/10*	125	185 624 032	1	0.611	185 624 052	1	0.611
25	20	10/10*	271	185 624 033	1	1.216	185 624 053	1	1.216
32	25	10/10*	481	185 624 034	1	1.565	185 624 054	1	1.565
40	32	10/10*	759	185 624 035	1	2.489	185 624 055	1	2.489
50	40	10/10*	1263	185 624 036	1	4.266	185 624 056	1	4.266
63	50	10/6*	1728	185 624 037	1	5.358	185 624 057	1	5.358

d (mm)	FKM Code
20	185 624 062
25	185 624 063
32	185 624 064
40	185 624 065
50	185 624 066
63	185 624 067

d (mm)	D (mm)	D1_G (inch)	H (mm)	H1 (mm)	H2 (mm)	H3 (mm)	H4 (mm)	H5 (mm)	H7 (mm)	L (mm)	L2 (mm)	M	z (mm)	Lift = Hx (mm)
20	68	1/8	101	14	12	60	24	16	43	128	25	M6	100	7
25	96	1/8	132	18	12	73	25	16	57	150	25	M6	118	10
32	96	1/8	143	22	12	84	25	16	57	162	25	M6	126	13
40	120	1/8	173	26	15	99	26	26	69	184	45	M8	144	15
50	150	1/4	214	32	15	119	36	26	88	210	45	M8	164	19
63	150	1/4	226	39	15	132	36	26	88	248	45	M8	194	23

d (mm)	closest inch (inch)
20	1/2
25	3/4
32	1
40	1 1/4
50	1 1/2
63	2



SYGEF Standard Diaphragm valve DIASTAR Ten FC (Fail safe to close)
Unions with butt fusion spigots metric

Model:

- Material: PVDF
- Double flow rate compared to predecessor
- One housing nut replaces four screws
- Rotating air connection at 90° intervals
- For easy installation and removal
- Short overall length

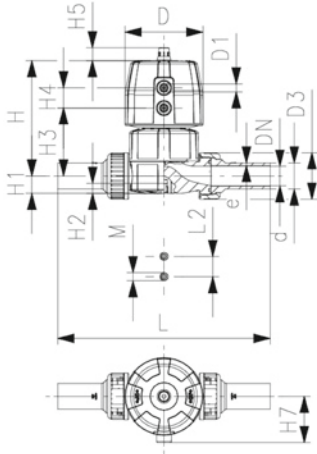
Option:

- Individual configuration of the valve
- Comprehensive range of accessories available

* PN: PTFE

Working Pressure: **one side**

* O-Ring material: FKM

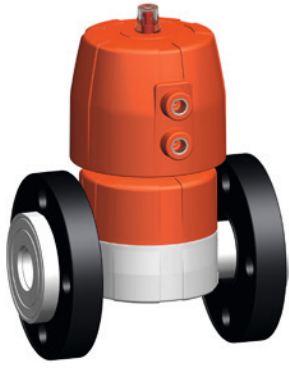


d (mm)	DN (mm)	PN* (bar)	kv-value ($\Delta p=1$ bar) (l/min)	PTFE/ EPDM* Code	SP	Weight (kg)	PTFE/FKM* Code	SP	Weight (kg)
20	15	10/10*	125	185 624 132	1	0.630	185 624 152	1	1.100
25	20	10/10*	271	185 624 133	1	1.405	185 624 153	1	1.760
32	25	10/10*	481	185 624 134	1	1.515	185 624 154	1	2.610
40	32	10/10*	759	185 624 135	1	2.570	185 624 155	1	3.760
50	40	10/10*	1263	185 624 136	1	4.697	185 624 156	1	6.220
63	50	10/6*	1728	185 624 137	1	5.327	185 624 157	1	7.800

d (mm)	FKM Code
20	185 624 162
25	185 624 163
32	185 624 164
40	185 624 165
50	185 624 166
63	185 624 167

d (mm)	D (mm)	D1_G (inch)	H (mm)	H1 (mm)	H2 (mm)	H3 (mm)	H4 (mm)	H5 (mm)	H7 (mm)	L (mm)	L2 (mm)	M	e (mm)	Lift = Hx (mm)
20	68	⅜	101	14	12	60	24	16	43	196	25	M6	1.9	7
25	96	⅜	132	18	12	73	25	16	57	221	25	M6	1.9	10
32	96	⅜	143	22	12	84	25	16	57	234	25	M6	2.4	13
40	120	⅜	173	26	15	99	26	26	69	260	45	M8	2.4	15
50	150	⅜	214	32	15	119	36	26	88	284	45	M8	3.0	19
63	150	⅜	226	39	15	132	36	26	88	321	45	M8	3.0	23

d (mm)	closest inch (inch)
20	⅜
25	⅜
32	1
40	1 ¼
50	1 ½
63	2



**SYGEF Standard Diaphragm valve DIASTAR Ten
FC (Fail safe to close)
With backing flanges PP-V Inch ANSI**

Model:

- Material: PVDF
- Double flow rate compared to predecessor
- One housing nut replaces four screws
- Rotating air connection at 90° intervals
- Joining faces flat/serrated
- Overall length EN 558
- Connecting dimension: ANSI/ASME B 16.5 class 150, ASTM D 4024, BS 1560, BS EN 1759

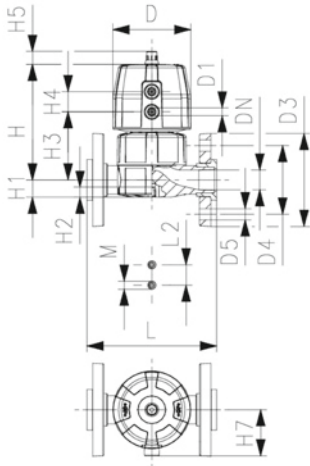
Option:

- Individual configuration of the valve
- Comprehensive range of accessories available

* PN: PTFE

Working Pressure: **one side**

* O-Ring material: FKM

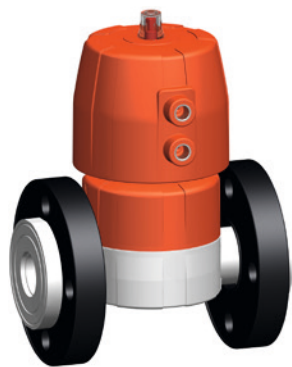


Size (inch)	DN (mm)	PN* (bar)	kv-value ($\Delta p=1$ bar) (l/min)	PTFE/ EPDM* Code	SP	Weight (kg)	PTFE/FKM* Code	SP	Weight (kg)
½	15	10/10*	125	185 627 732	1	0.870	185 627 752	1	0.870
¾	20	10/10*	271	185 627 733	1	1.473	185 627 753	1	1.473
1	25	10/10*	481	185 627 734	1	1.791	185 627 754	1	1.791
1 ¼	32	10/10*	759	185 627 735	1	2.854	185 627 755	1	2.854
1 ½	40	10/10*	1263	185 627 736	1	4.481	185 627 756	1	4.481
2	50	10/6*	1728	185 627 737	1	5.762	185 627 757	1	5.762

Size (inch)	FKM Code
½	185 627 762
¾	185 627 763
1	185 627 764
1 ¼	185 627 765
1 ½	185 627 766
2	185 627 767

Size (inch)	D (mm)	D1_G (inch)	D3 (mm)	D4 (mm)	D5 (mm)	H (mm)	H1 (mm)	H2 (mm)	H3 (mm)	H4 (mm)	H5 (mm)	H7 (mm)	L (mm)	L2 (mm)	M
½	68	⅙	95	60	16	101	14	12	60	24	16	43	130	25	M6
¾	96	⅙	105	70	16	132	18	12	73	25	16	57	150	25	M6
1	96	⅙	115	79	16	143	22	12	84	25	16	69	160	25	M6
1 ¼	120	⅙	140	89	16	173	26	15	99	26	26	69	180	45	M8
1 ½	150	¼	150	98	16	193	32	15	119	36	26	88	200	45	M8
2	150	¼	165	121	19	205	39	15	132	36	26	88	230	45	M8

Size (inch)	Lift = Hx (mm)
½	7
¾	10
1	13
1 ¼	15
1 ½	19
2	23



**SYGEF Standard Diaphragm valve DIASTAR Ten
FC (Fail safe to close)
With backing flanges PP-V metric BS**

Model:

- Material: PVDF
- Double flow rate compared to predecessor
- One housing nut replaces four screws
- Rotating air connection at 90° intervals
- Joining faces flat/serrated
- Overall length EN 558
- Connecting dimension: ISO 7005 PN 10, EN 1092 PN 10, DIN 2501 PN 10, BS 4504 PN 10

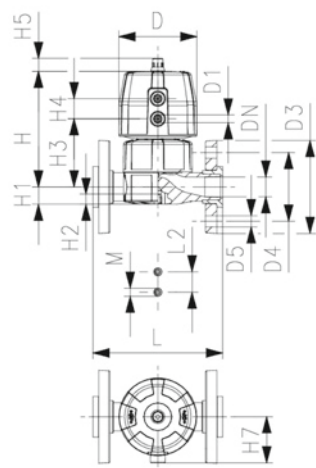
Option:

- Individual configuration of the valve
- Comprehensive range of accessories available

* PN: PTFE

Working Pressure: **one side**

* O-Ring material: FKM

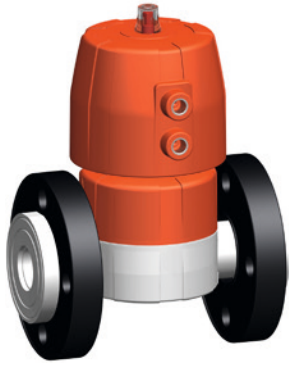


d (mm)	DN (mm)	PN* (bar)	kv-value ($\Delta p=1$ bar) (L/min)	PTFE/ EPDM* Code	SP	Weight (kg)	PTFE/FKM* Code	SP	Weight (kg)
20	15	10/10*	125	185 627 132	1	0.754	185 627 152	1	0.754
25	20	10/10*	271	185 627 133	1	1.473	185 627 153	1	1.473
32	25	10/10*	481	185 627 134	1	1.699	185 627 154	1	1.699
40	32	10/10*	759	185 627 135	1	2.854	185 627 155	1	2.854
50	40	10/10*	1263	185 627 136	1	4.481	185 627 156	1	4.481
63	50	10/6*	1728	185 627 137	1	5.686	185 627 157	1	5.686

d (mm)	FKM Code
20	185 627 162
25	185 627 163
32	185 627 164
40	185 627 165
50	185 627 166
63	185 627 167

d (mm)	D (mm)	D1_G (inch)	D3 (mm)	D4 (mm)	D5 (mm)	H (mm)	H1 (mm)	H2 (mm)	H3 (mm)	H4 (mm)	H5 (mm)	H7 (mm)	L (mm)	L2 (mm)	M
20	68	1/8	95	65	14	101	14	12	60	24	16	43	130	25	M6
25	96	1/8	105	75	14	132	18	12	73	25	16	57	150	25	M6
32	96	1/8	115	85	14	143	22	12	84	25	16	69	160	25	M6
40	120	1/8	140	100	18	173	26	15	99	26	26	69	180	45	M8
50	150	1/8	150	110	18	193	32	15	119	36	26	88	200	45	M8
63	150	1/8	165	125	18	205	39	15	132	36	26	88	230	45	M8

d (mm)	Lift = Hx (mm)	closest inch (inch)
20	7	1/2
25	10	3/4
32	13	1
40	15	1 1/4
50	19	1 1/2
63	23	2



**SYGEF Standard Diaphragm valve DIASTAR Ten
FO (Fail safe to open)
With backing flanges PP-V Inch ANSI**

Model:

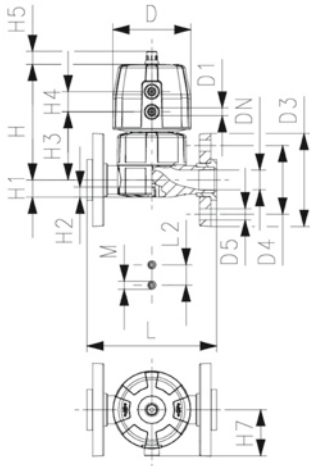
- Material: PVDF
- Double flow rate compared to predecessor
- One housing nut replaces four screws
- Rotating air connection at 90° intervals
- Joining faces flat/serrated
- Overall length EN 558
- Connecting dimension: ANSI/ASME B 16.5 class 150, ASTM D 4024, BS 1560, BS EN 1759

Option:

- Individual configuration of the valve
- Comprehensive range of accessories available

Working Pressure: **one side**

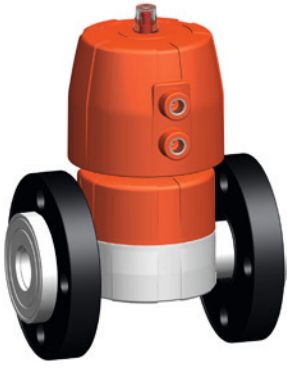
* O-Ring material: FKM



Size (inch)	DN (mm)	kv-value ($\Delta p=1$ bar) (l/min)	PTFE/ EPDM* Code	SP	Weight (kg)	PTFE/FKM* Code	SP	Weight (kg)
½	15	125	185 647 732	1	0.820	185 647 752	1	0.820
¾	20	271	185 647 733	1	1.299	185 647 753	1	1.299
1	25	481	185 647 734	1	1.611	185 647 754	1	1.611
1 ¼	32	759	185 647 735	1	2.494	185 647 755	1	2.494
1 ½	40	1263	185 647 736	1	4.391	185 647 756	1	4.391
2	50	1728	185 647 737	1	5.672	185 647 757	1	5.672

Size (inch)	D (mm)	D1_G (inch)	D3 (mm)	D4 (mm)	D5 (mm)	H (mm)	H1 (mm)	H2 (mm)	H3 (mm)	H4 (mm)	H5 (mm)	H7 (mm)	L (mm)	L2 (mm)	M
½	68	⅝	95	60	16	101	14	12	60	24	16	57	130	25	M6
¾	96	⅝	105	70	16	132	18	12	73	25	16	57	150	25	M6
1	96	⅝	115	79	16	143	22	12	84	25	16	69	160	25	M6
1 ¼	120	⅝	140	89	16	173	26	15	99	26	26	88	180	45	M8
1 ½	150	¾	150	98	16	214	32	15	119	36	26	103	200	45	M8
2	150	¾	165	121	19	226	39	15	132	36	26	103	230	45	M8

Size (inch)	Lift = Hx (mm)
½	7
¾	10
1	13
1 ¼	15
1 ½	19
2	23



**SYGEF Standard Diaphragm valve DIASTAR Ten
FO (Fail safe to open)
With backing flanges PP-V metric/BS**

Model:

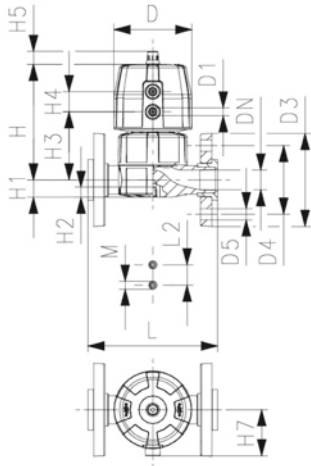
- Material: PVDF
- Double flow rate compared to predecessor
- One housing nut replaces four screws
- Rotating air connection at 90° intervals
- Joining faces flat/serrated
- Overall length EN 558
- Connecting dimension: ISO 7005 PN 10, EN 1092 PN 10, DIN 2501 PN 10, BS 4504 PN 10

Option:

- Individual configuration of the valve
- Comprehensive range of accessories available

Working Pressure: **one side**

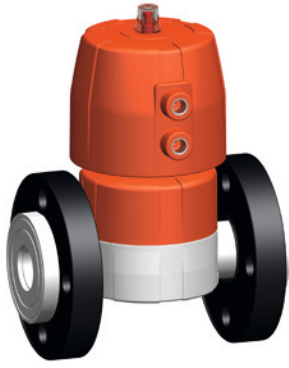
* O-Ring material: FKM



d (mm)	DN (mm)	kv-value ($\Delta p=1$ bar) (l/min)	PTFE/ EPDM* Code	SP	Weight (kg)	PTFE/FKM* Code	SP	Weight (kg)
20	15	125	185 647 132	1	0.820	185 647 152	1	0.820
25	20	271	185 647 133	1	1.299	185 647 153	1	1.299
32	25	481	185 647 134	1	1.611	185 647 154	1	1.611
40	32	759	185 647 135	1	2.494	185 647 155	1	2.494
50	40	1263	185 647 136	1	4.391	185 647 156	1	4.391
63	50	1728	185 647 137	1	5.040	185 647 157	1	5.040

d (mm)	D (mm)	D1_G (inch)	D3 (mm)	D4 (mm)	D5 (mm)	H (mm)	H1 (mm)	H2 (mm)	H3 (mm)	H4 (mm)	H5 (mm)	H7 (mm)	L (mm)	L2 (mm)	M
20	68	⅜	95	65	14	101	14	12	60	24	16	57	130	25	M6
25	96	⅜	105	75	14	132	18	12	73	25	16	57	150	25	M6
32	96	⅜	115	85	14	143	22	12	84	25	16	69	160	25	M6
40	120	⅜	140	100	18	173	26	15	99	26	26	88	180	45	M8
50	150	⅜	150	110	18	214	32	15	119	36	26	103	200	45	M8
63	150	⅜	165	125	18	226	39	15	132	36	26	103	230	45	M8

d (mm)	Lift = Hx (mm)	closest inch (inch)
20	7	⅓
25	10	⅜
32	13	1
40	15	1 ¼
50	19	1 ½
63	23	2



**SYGEF Standard Diaphragm valve DIASTAR Ten
DA (Double acting)
With backing flanges PP-V Inch ANSI**

Model:

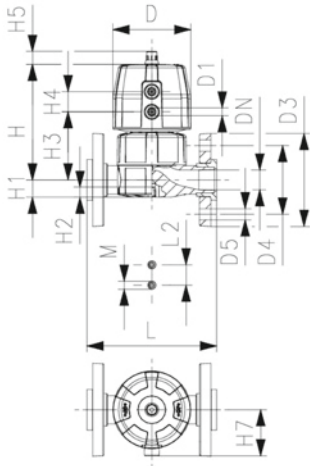
- Material: PVDF
- Double flow rate compared to predecessor
- One housing nut replaces four screws
- Rotating air connection at 90° intervals
- Joining faces flat/serrated
- Overall length EN 558
- Connecting dimension: ANSI/ASME B 16.5 class 150, ASTM D 4024, BS 1560, BS EN 1759

Option:

- Individual configuration of the valve
- Comprehensive range of accessories available

Working Pressure: **one side**

* O-Ring material: FKM



Size (inch)	DN (mm)	PN (bar)	kv-value ($\Delta p=1$ bar) (l/min)	PTFE/ EPDM* Code	SP	Weight (kg)	PTFE/FKM* Code	SP	Weight (kg)
½	15	10	125	185 657 732	1	0.804	185 657 752	1	0.804
¾	20	10	271	185 657 733	1	1.263	185 657 753	1	1.263
1	25	10	481	185 657 734	1	1.581	185 657 754	1	1.581
1 ¼	32	10	759	185 657 735	1	2.434	185 657 755	1	2.434
1 ½	40	10	1263	185 657 736	1	3.641	185 657 756	1	3.641
2	50	6	1728	185 657 737	1	4.922	185 657 757	1	4.922

Size (inch)	D (mm)	D1_G (inch)	D3 (mm)	D4 (mm)	D5 (mm)	H (mm)	H1 (mm)	H2 (mm)	H3 (mm)	H4 (mm)	H5 (mm)	H7 (mm)	L (mm)	L2 (mm)	M
½	68	¾	95	60	16	101	14	12	60	24	16	57	130	25	M6
¾	96	¾	105	70	16	132	18	12	73	25	16	57	150	25	M6
1	96	¾	115	79	16	143	22	12	84	25	16	69	160	25	M6
1 ¼	120	¾	140	89	16	173	26	15	99	26	26	88	180	45	M8
1 ½	150	¾	150	98	16	214	32	15	119	36	26	103	200	45	M8
2	150	¾	165	121	19	226	39	15	132	36	26	103	230	45	M8

Size (inch)	Lift = Hx (mm)
½	7
¾	10
1	13
1 ¼	15
1 ½	19
2	23



**SYGEF Standard Diaphragm valve DIASTAR Ten
DA (Double acting)
With backing flanges PP-V metric/BS**

Model:

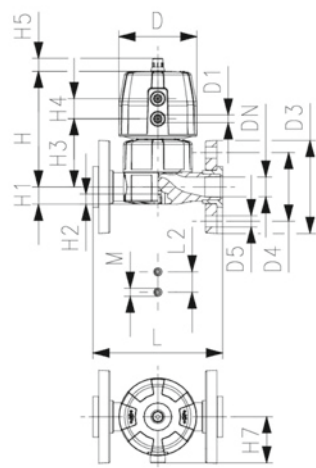
- Material: PVDF
- Double flow rate compared to predecessor
- One housing nut replaces four screws
- Rotating air connection at 90° intervals
- Joining faces flat/serrated
- Overall length EN 558
- Connecting dimension: ISO 7005 PN 10, EN 1092 PN 10, DIN 2501 PN 10, BS 4504 PN 10

Option:

- Individual configuration of the valve
- Comprehensive range of accessories available

Working Pressure: **one side**

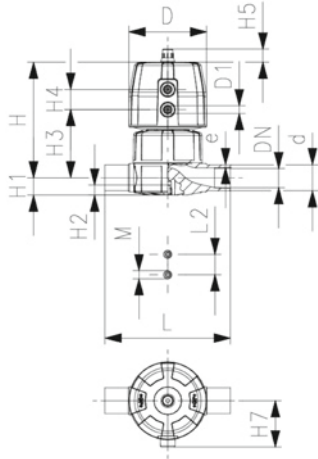
* O-Ring material: FKM



d (mm)	DN (mm)	kv-value ($\Delta p=1$ bar) (l/min)	PTFE/ EPDM* Code	SP	Weight (kg)	PTFE/FKM* Code	SP	Weight (kg)
20	15	125	185 657 132	1	0.804	185 657 152	1	0.804
25	20	271	185 657 133	1	1.200	185 657 153	1	1.200
32	25	481	185 657 134	1	1.581	185 657 154	1	1.581
40	32	759	185 657 135	1	2.434	185 657 155	1	2.434
50	40	1263	185 657 136	1	3.937	185 657 156	1	3.937
63	50	1728	185 657 137	1	4.922	185 657 157	1	4.922

d (mm)	D (mm)	D1_G (inch)	D3 (mm)	D4 (mm)	D5 (mm)	H (mm)	H1 (mm)	H2 (mm)	H3 (mm)	H4 (mm)	H5 (mm)	H7 (mm)	L (mm)	L2 (mm)	M
20	68	1/8	95	65	14	101	14	12	60	24	16	57	130	25	M6
25	96	1/8	105	75	14	132	18	12	73	25	16	57	150	25	M6
32	96	1/8	115	85	14	143	22	12	84	25	16	69	160	25	M6
40	120	1/8	140	100	18	173	26	15	99	26	26	88	180	45	M8
50	150	1/4	150	110	18	214	32	15	119	36	26	103	200	45	M8
63	150	1/4	165	125	18	226	39	15	132	36	26	103	230	45	M8

d (mm)	Lift = Hx (mm)	closest inch (inch)
20	7	1/2
25	10	3/4
32	13	1
40	15	1 1/4
50	19	1 1/2
63	23	2



SYGEF Standard Diaphragm valve DIASTAR Ten DA (Double acting) With butt fusion spigots metric

Model:

- Material: PVDF
- Double flow rate compared to predecessor
- One housing nut replaces four screws
- Rotating air connection at 90° intervals

Option:

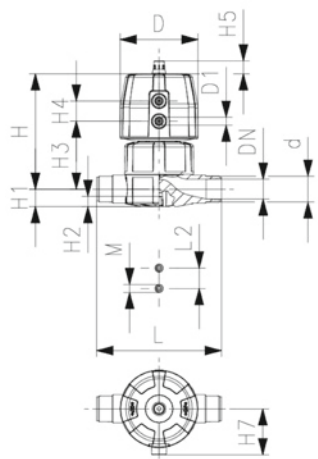
- Individual configuration of the valve
- Comprehensive range of accessories available

Working Pressure: **one side**

* O-Ring material: FKM

d (mm)	DN (mm)	kv-value ($\Delta p=1$ bar) (L/min)	PTFE/ EPDM* Code	SP Weight (kg)
20	15	125	185 655 132	1 0.603
25	20	271	185 655 133	1 0.981
32	25	481	185 655 134	1 1.193
40	32	759	185 655 135	1 1.823
50	40	1263	185 655 136	1 2.986
63	50	1728	185 655 137	1 3.796

D	D1_G	H	H1	H2	H3	H4	H5	H7	L	L2	M	e	Lift = Hx (mm)	closest inch (inch)
68	1/8	101	14	12	60	24	16	43	124	25	M6	2	7	1/2
96	1/8	132	18	12	73	25	16	57	144	25	M6	2	10	3/4
96	1/8	143	22	12	84	25	16	57	154	25	M6	2	13	1
120	1/8	173	26	15	99	26	26	69	174	45	M8	2	15	1 1/4
150	1/4	214	32	15	119	36	26	88	194	45	M8	3	19	1 1/2
150	1/4	226	39	15	132	36	26	88	224	45	M8	3	23	2



SYGEF Standard Diaphragm valve DIASTAR Ten DA (Double acting) With socket fusion spigots metric

Model:

- Material: PVDF
- Double flow rate compared to predecessor
- One housing nut replaces four screws
- Rotating air connection at 90° intervals
- Overall length EN 558

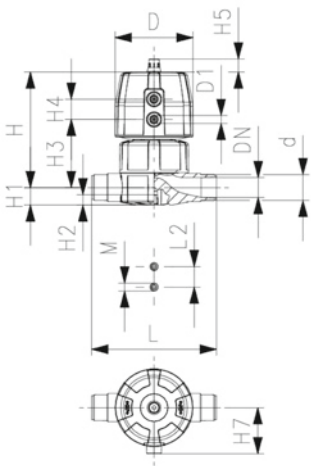
Option:

- Individual configuration of the valve
- Comprehensive range of accessories available

Working Pressure: **one side**

* O-Ring material: FKM

d (mm)	DN (mm)	kv-value ($\Delta p=1$ bar) (L/min)	PTFE/ EPDM* Code	SP Weight (kg)	PTFE/FKM* Code	SP Weight (kg)
20	15	125	185 655 032	1 0.604	185 655 052	1 0.604
25	20	271	185 655 033	1 0.989	185 655 053	1 0.989
32	25	481	185 655 034	1 1.201	185 655 054	1 1.201
40	32	759	185 655 035	1 1.848	185 655 055	1 1.848
50	40	1263	185 655 036	1 3.031	185 655 056	1 3.031
63	50	1728	185 655 037	1 3.878	185 655 057	1 3.878



d (mm)	D (mm)	D1_G (inch)	H (mm)	H1 (mm)	H2 (mm)	H3 (mm)	H4 (mm)	H5 (mm)	H7 (mm)	L (mm)	L2 (mm)	M	Lift = Hx (mm)	closest inch (inch)
20	68	1/8	101	14	12	60	24	16	43	124	25	M6	7	1/2
25	96	3/8	132	18	12	73	25	16	57	144	25	M6	10	3/4
32	96	1/4	143	22	12	84	25	16	57	154	25	M6	13	1
40	120	1/2	173	26	15	99	26	26	69	174	45	M8	15	1 1/4
50	150	3/4	214	32	15	119	36	26	88	194	45	M8	19	1 1/2
63	150	1/2	226	39	15	132	36	26	88	224	45	M8	23	2



**SYGEF Standard Diaphragm valve DIASTAR TenPlus FC (Fail safe to close)
With backing flanges PP-V Inch ANSI**

Model:

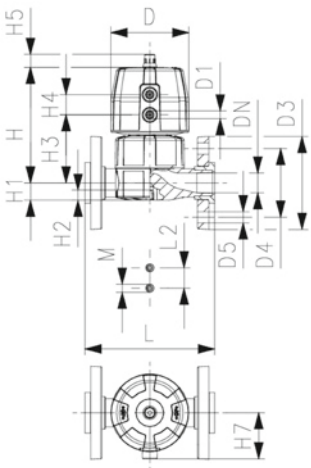
- Material: PVDF
- Double flow rate compared to predecessor
- One housing nut replaces four screws
- Rotating air connection at 90° intervals
- Joining faces flat/serrated
- Overall length EN 558
- Connecting dimension: ANSI/ASME B 16.5 class 150, ASTM D 4024, BS 1560, BS EN 1759

Option:

- Individual configuration of the valve
- Comprehensive range of accessories available

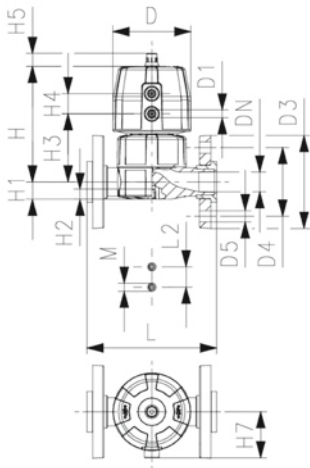
Working Pressure: **both sides**

* O-Ring material: FKM

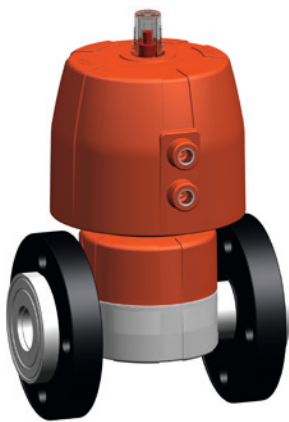


Size (inch)	DN (mm)	kv-value (Δp=1 bar) (L/min)	PTFE/ EPDM* Code	SP	Weight (kg)	PTFE/FKM* Code	SP	Weight (kg)
1/2	15	125	185 687 732	1	1.281	185 687 752	1	1.281
3/4	20	271	185 687 733	1	1.491	185 687 753	1	1.491
1	25	481	185 687 734	1	2.398	185 687 754	1	2.410
1 1/4	32	759	185 687 735	1	3.961	185 687 755	1	3.961
1 1/2	40	1263	185 687 736	1	5.944	185 687 756	1	5.944
2	50	1728	185 687 737	1	7.277	185 687 757	1	7.277

Size (inch)	D (mm)	D1_G (inch)	D3 (mm)	D4 (mm)	D5 (mm)	H (mm)	H1 (mm)	H2 (mm)	H3 (mm)	H4 (mm)	H5 (mm)	H7 (mm)	L (mm)	L2 (mm)	M
1/2	96	1/8	95	60	16	127	14	12	68	25	16	57	130	25	M6
3/4	96	3/8	105	70	16	132	18	12	73	25	16	57	150	25	M6
1	120	1/2	115	79	16	167	22	12	93	26	26	69	160	25	M6
1 1/4	150	3/4	140	89	16	196	26	15	101	36	26	88	180	45	M8
1 1/2	180	1/2	150	98	16	239	32	15	124	37	26	103	200	45	M8
2	180	1/2	165	121	19	251	39	15	137	37	26	103	230	45	M8



Size (inch)	Lift = Hx (mm)
½	7
¾	10
1	13
1 ¼	15
1 ½	19
2	23



**SYGEF Standard Diaphragm valve DIASTAR TenPlus
FC (Fail safe to close)
With backing flanges PP-V metric/BS**

Model:

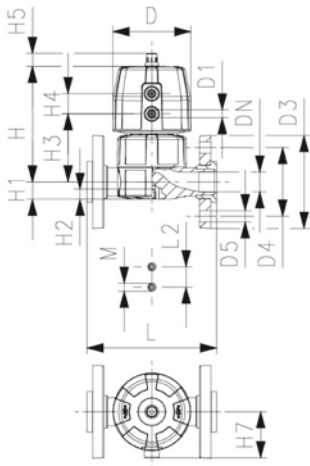
- Material: PVDF
- Double flow rate compared to predecessor
- One housing nut replaces four screws
- Rotating air connection at 90° intervals
- Joining faces flat/serrated
- Overall length EN 558
- Connecting dimension: ISO 7005 PN 10, EN 1092 PN 10, DIN 2501 PN 10, BS 4504 PN 10

Option:

- Individual configuration of the valve
- Comprehensive range of accessories available

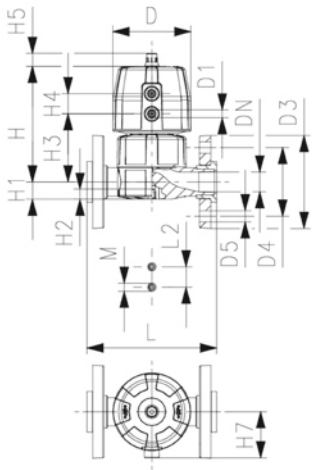
Working Pressure: **both sides**

* O-Ring material: FKM



d (mm)	DN (mm)	kv-value (Δp=1 bar) (L/min)	PTFE/ EPDM* Code	SP	Weight (kg)	PTFE/FKM* Code	SP	Weight (kg)
20	15	125	185 687 132	1	1.281	185 687 152	1	1.281
25	20	271	185 687 133	1	1.491	185 687 153	1	1.491
32	25	481	185 687 134	1	2.410	185 687 154	1	2.410
40	32	759	185 687 135	1	3.961	185 687 155	1	3.961
50	40	1263	185 687 136	1	5.944	185 687 156	1	5.944
63	50	1728	185 687 137	1	7.277	185 687 157	1	7.277

d (mm)	D (mm)	D1_G (inch)	D3 (mm)	D4 (mm)	D5 (mm)	H (mm)	H1 (mm)	H2 (mm)	H3 (mm)	H4 (mm)	H5 (mm)	H7 (mm)	L (mm)	L2 (mm)	M
20	96	⅜	95	65	14	127	14	12	68	25	16	57	130	25	M6
25	96	⅜	105	75	14	132	18	12	73	25	16	57	150	25	M6
32	120	⅜	115	85	14	167	22	12	93	26	26	69	160	25	M6
40	150	⅜	140	100	18	196	26	15	101	36	26	88	180	45	M8
50	180	⅜	150	110	18	239	32	15	124	37	26	103	200	45	M8
63	180	⅜	165	125	18	251	39	15	137	37	26	103	230	45	M8



d (mm)	Lift = Hx (mm)	closest inch (inch)
20	7	½
25	10	¾
32	13	1
40	15	1 ¼
50	19	1 ½
63	23	2



**SYGEF Standard Diaphragm valve DIASTAR TenPlus
FC (Fail safe to close)
With butt fusion spigots metric**

Model:

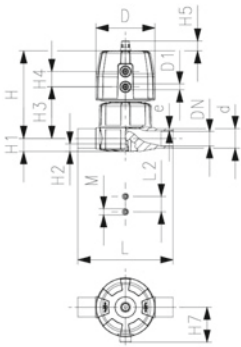
- Material: PVDF
- Double flow rate compared to predecessor
- One housing nut replaces four screws
- Rotating air connection at 90° intervals

Option:

- Individual configuration of the valve
- Comprehensive range of accessories available

Working Pressure: **both sides**

* O-Ring material: FKM



d (mm)	DN (mm)	PN (psi)	kv-value (Δp=1 bar) (l/min)	PTFE/ EPDM* Code	SP	Weight (kg)
20	15	150/150*	125	185 685 132	1	0.972
25	20	150/150*	271	185 685 133	1	1.209
32	25	150/150*	481	185 685 134	1	2.022
40	32	150/150*	759	185 685 135	1	3.350
50	40	150/150*	1263	185 685 136	1	5.289
63	50	150/150*	1728	185 685 137	1	6.151

d (mm)	D (mm)	D1_G (inch)	H (mm)	H1 (mm)	H2 (mm)	H3 (mm)	H4 (mm)	H5 (mm)	H7 (mm)	L (mm)	L2 (mm)	M	e (mm)	Lift = Hx (mm)
20	96	¾	127	14	12	68	25	16	57	124	25	M6	1.9	7
25	96	¾	132	18	12	73	25	16	57	144	25	M6	1.9	10
32	120	½	167	22	12	93	26	26	69	154	25	M6	2.4	13
40	150	¼	196	26	15	101	36	26	88	174	45	M8	2.4	15
50	180	¼	239	32	15	124	37	26	103	194	45	M8	3.0	19
63	180	¼	251	39	15	137	37	26	103	224	45	M8	3.0	23

d (mm)	closest inch (inch)
20	½
25	¾
32	1
40	1 ¼
50	1 ½
63	2



SYGEF Standard Diaphragm valve DIASTAR TenPlus FC (Fail safe to close)
With socket fusion spigots metric

Model:

- Material: PVDF
- Double flow rate compared to predecessor
- One housing nut replaces four screws
- Rotating air connection at 90° intervals
- Overall length EN 558

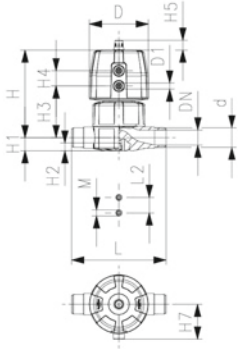
Option:

- Individual configuration of the valve
- Comprehensive range of accessories available

* PN: PTFE

Working Pressure: **both sides**

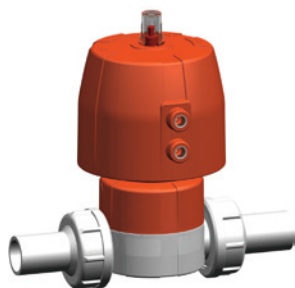
* O-Ring material: FKM



d (mm)	DN (mm)	PN (psi)	PN* (bar)	kv-value ($\Delta p=1$ bar) (l/min)	PTFE/ EPDM* Code	SP	Weight (kg)
20	15	150/150*	10/10*	125	185 685 032	1	1.081
25	20	150/150*	10/10*	271	185 685 033	1	1.217
32	25	150/150*	10/10*	481	185 685 034	1	2.030
40	32	150/150*	10/10*	759	185 685 035	1	3.375
50	40	150/150*	10/10*	1263	185 685 036	1	5.334
63	50	150/150*	10/10*	1728	185 685 037	1	6.233

d (mm)	PTFE/FKM* Code	SP	Weight (kg)
20	185 685 052	1	1.081
25	185 685 053	1	1.217
32	185 685 054	1	2.030
40	185 685 055	1	3.375
50	185 685 056	1	5.334
63	185 685 057	1	6.233

d	D	D1_G	H	H1	H2	H3	H4	H5	H7	L	L2	M	Lift = Hx (mm)	closest inch (inch)
(mm)	(mm)	(inch)	(mm)	(mm)	(mm)	(mm)	(mm)	(mm)	(mm)	(mm)	(mm)			
20	96	⅜	127	14	12	68	25	16	57	124	25	M6	7	½
25	96	⅜	132	18	12	73	25	16	57	144	25	M6	10	¾
32	120	⅜	167	22	12	93	26	26	69	154	25	M6	13	1
40	150	¼	196	26	15	101	36	26	88	174	45	M8	15	1 ¼
50	180	¼	239	32	15	124	37	26	103	194	45	M8	19	1 ½
63	180	¼	251	39	15	137	37	26	103	224	45	M8	23	2



**SYGEF Standard Diaphragm valve DIASTAR TenPlus
FC (Fail safe to close)
Unions with butt fusion spigots metric**

Model:

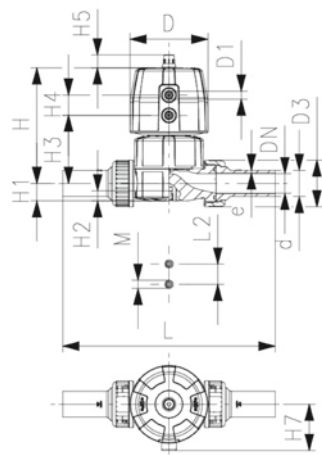
- Material: PVDF
- Double flow rate compared to predecessor
- One housing nut replaces four screws
- Rotating air connection at 90° intervals
- For easy installation and removal
- Short overall length

Option:

- Individual configuration of the valve
- Comprehensive range of accessories available

* PN: PTFE

Working Pressure: **both sides**

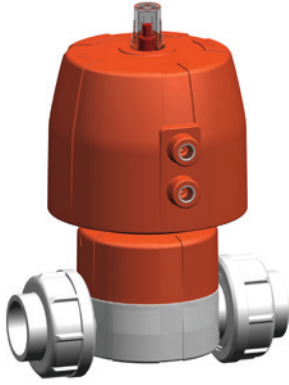


d (mm)	DN (mm)	PN (psi)	PN* (bar)	kv-value ($\Delta p=1$ bar) (L/min)	PTFE/EPDM Code	SP	Weight (kg)
20	15	150/150*	10/10*	125	185 684 132	1	1.185
25	20	150/150*	10/10*	271	185 684 133	1	1.386
32	25	150/150*	10/10*	481	185 684 134	1	2.537
40	32	150/150*	10/10*	759	185 684 135	1	3.735
50	40	150/150*	10/10*	1263	185 684 136	1	5.757
63	50	150/150*	10/10*	1728	185 684 137	1	6.991

d (mm)	PTFE/FKM Code	SP	Weight (kg)
20	185 684 152	1	1.185
25	185 684 153	1	1.386
32	185 684 154	1	2.537
40	185 684 155	1	3.735
50	185 684 156	1	5.757
63	185 684 157	1	6.991

d (mm)	D (mm)	D1_G (inch)	H (mm)	H1 (mm)	H2 (mm)	H3 (mm)	H4 (mm)	H5 (mm)	H7 (mm)	L (mm)	L2 (mm)	M (mm)	e (mm)	Lift = Hx (mm)
20	96	⅜	127	14	12	68	25	16	57	196	25	M6	1.9	7
25	96	⅜	132	18	12	73	25	16	57	221	25	M6	1.9	10
32	120	⅜	167	22	12	93	26	26	69	234	25	M6	2.4	13
40	150	¼	196	26	15	101	36	26	88	260	45	M8	2.4	15
50	180	¼	239	32	15	124	37	26	103	284	45	M8	3.0	19
63	180	¼	251	39	15	137	37	26	103	321	45	M8	3.0	23

d (mm)	closest inch (inch)
20	⅜
25	¾
32	1
40	1 ¼
50	1 ½
63	2



**SYGEF Standard Diaphragm valve DIASTAR TenPlus
FC (Fail safe to close)
Unions with fusion sockets metric**

Model:

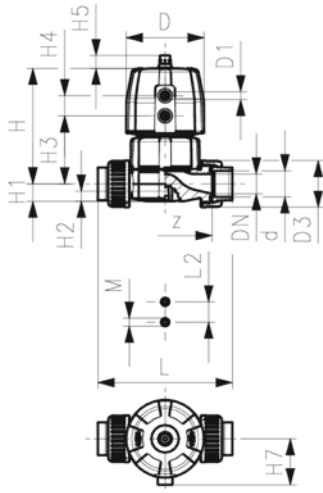
- Material: PVDF
- Double flow rate compared to predecessor
- One housing nut replaces four screws
- Rotating air connection at 90° intervals
- For easy installation and removal
- Short overall length

Option:

- Individual configuration of the valve
- Comprehensive range of accessories available

Working Pressure: **both sides**

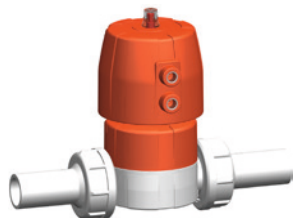
* O-Ring material: FKM



d (mm)	DN (mm)	PN (psi)	kv-value ($\Delta p=1$ bar) (L/min)	PTFE/ EPDM* Code	SP	Weight (kg)	PTFE/FKM* Code	SP	Weight (kg)
20	15	150/150*	125	185 684 032	1	0.957	185 684 052	1	1.147
25	20	150/150*	271	185 684 033	1	1.233	185 684 053	1	1.233
32	25	150/150*	481	185 684 034	1	2.184	185 684 054	1	2.184
40	32	150/150*	759	185 684 035	1	3.643	185 684 055	1	3.643
50	40	150/150*	1263	185 684 036	1	5.729	185 684 056	1	5.729
63	50	150/150*	1728	185 684 037	1	6.873	185 684 057	1	6.873

d (mm)	D (mm)	D1_G (inch)	H (mm)	H1 (mm)	H2 (mm)	H3 (mm)	H4 (mm)	H5 (mm)	H7 (mm)	L (mm)	L2 (mm)	M	z (mm)	Lift = Hx (mm)
20	96	⅜	127	14	12	68	25	16	57	128	25	M6	100	7
25	96	⅜	132	18	12	73	25	16	57	150	25	M6	118	10
32	120	⅜	167	22	12	93	26	26	69	162	25	M6	126	13
40	150	⅜	196	26	15	101	36	26	88	184	45	M8	144	15
50	180	⅜	239	32	15	124	37	26	103	210	45	M8	164	19
63	180	⅜	251	39	15	137	37	26	103	248	45	M8	194	23

d (mm)	closest inch (inch)
20	⅜
25	⅜
32	1
40	1 ¼
50	1 ½
63	2



**SYGEF Standard Diaphragm valve DIASTAR Ten
DA (Double acting)
Unions with butt fusion spigots metric**

Model:

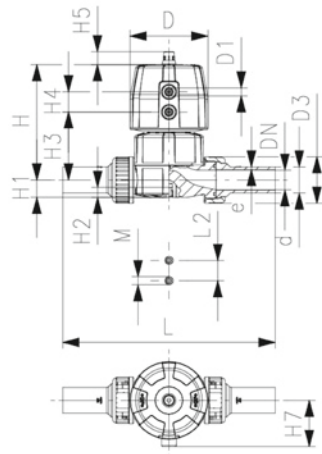
- Material: PVDF
- Double flow rate compared to predecessor
- One housing nut replaces four screws
- Rotating air connection at 90° intervals
- For easy installation and removal
- Short overall length

Option:

- Individual configuration of the valve
- Comprehensive range of accessories available

Working Pressure: **one side**

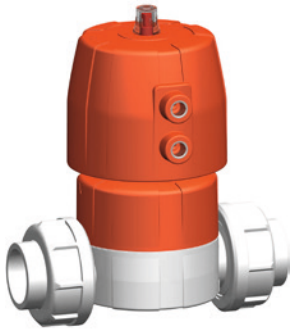
* O-Ring material: FKM



d (mm)	DN (mm)	kv-value ($\Delta p=1$ bar) (l/min)	PTFE/ EPDM* Code	SP	Weight (kg)	PTFE/FKM* Code	SP	Weight (kg)
20	15	125	185 654 132	1	0.708	185 654 152	1	0.708
25	20	271	185 654 133	1	1.158	185 654 153	1	1.158
32	25	481	185 654 134	1	1.399	185 654 154	1	1.399
40	32	759	185 654 135	1	2.208	185 654 155	1	2.208
50	40	1263	185 654 136	1	3.454	185 654 156	1	3.454
63	50	1728	185 654 137	1	4.636	185 654 157	1	4.636

d (mm)	D (mm)	D1_G (inch)	H (mm)	H1 (mm)	H2 (mm)	H3 (mm)	H4 (mm)	H5 (mm)	H7 (mm)	L (mm)	L2 (mm)	M	e (mm)	Lift = Hx (mm)
20	68	1/8	101	14	12	60	24	16	43	196	25	M6	2	7
25	96	3/8	132	18	12	73	25	16	57	221	25	M6	2	10
32	96	1/2	143	22	12	84	25	16	57	234	25	M6	2	13
40	120	5/8	173	26	15	99	26	26	69	260	45	M8	2	15
50	150	3/4	214	32	15	119	36	26	69	284	45	M8	3	19
63	150	1/2	226	39	15	132	36	26	69	321	45	M8	3	23

d (mm)	closest inch (inch)
20	3/8
25	1/2
32	1
40	1 1/4
50	1 1/2
63	2



**SYGEF Standard Diaphragm valve DIASTAR Ten
DA (Double acting)
Unions with fusion sockets metric**

Model:

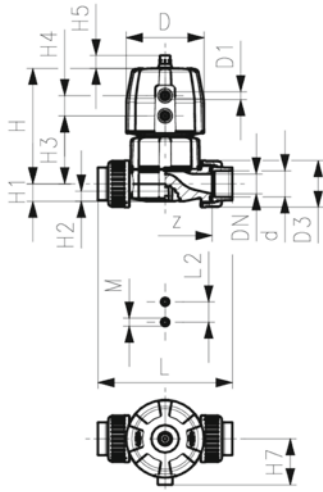
- Material: PVDF
- Double flow rate compared to predecessor
- One housing nut replaces four screws
- Rotating air connection at 90° intervals
- For easy installation and removal
- Short overall length

Option:

- Individual configuration of the valve
- Comprehensive range of accessories available

Working Pressure: **one side**

* O-Ring material: FKM



d (mm)	DN (mm)	PN* (bar)	kv-value ($\Delta p=1$ bar) (l/min)	PTFE/ EPDM* Code	SP	Weight (kg)	PTFE/FKM* Code	SP	Weight (kg)
20	15	10/10*	125	185 654 032	1	0.565	185 654 052	1	0.565
25	20	10/10*	271	185 654 033	1	1.116	185 654 053	1	1.116
32	25	10/10*	481	185 654 034	1	1.328	185 654 054	1	1.355
40	32	10/10*	759	185 654 035	1	2.116	185 654 055	1	2.116
50	40	10/10*	1263	185 654 036	1	3.426	185 654 056	1	3.426
63	50	10/10*	1728	185 654 037	1	4.518	185 654 057	1	4.518

d (mm)	D (mm)	D1_G (inch)	H (mm)	H1 (mm)	H2 (mm)	H3 (mm)	H4 (mm)	H5 (mm)	H7 (mm)	L (mm)	L2 (mm)	M	z (mm)	Lift = Hx (mm)
20	68	1/8	101	14	12	60	24	16	43	128	25	M6	100	7
25	96	3/8	132	18	12	73	25	16	57	150	25	M6	118	10
32	96	1/2	143	22	12	84	25	16	57	162	25	M6	126	13
40	120	3/4	173	26	15	99	26	26	69	184	45	M8	144	15
50	150	1/2	214	32	15	119	36	26	88	210	45	M8	164	19
63	150	3/4	226	39	15	132	36	26	88	248	45	M8	194	23

d (mm)	closest inch (inch)
20	3/8
25	1/2
32	1
40	1 1/4
50	1 1/2
63	2



**SYGEF Standard Diaphragm valve DIASTAR Ten
FO (Fail safe to open)
With butt fusion spigots metric**

Model:

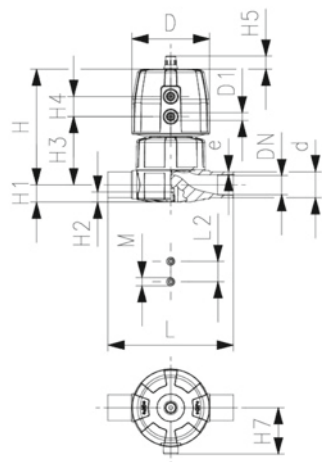
- Material: PVDF
- Double flow rate compared to predecessor
- One housing nut replaces four screws
- Rotating air connection at 90° intervals

Option:

- Individual configuration of the valve
- Comprehensive range of accessories available

Working Pressure: **one side**

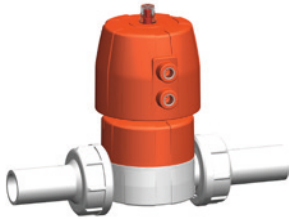
* O-Ring material: FKM



d (mm)	DN (mm)	PN (bar)	kv-value ($\Delta p=1$ bar) (l/min)	PTFE/ EPDM* Code	SP	Weight (kg)	PTFE/FKM* Code	SP	Weight (kg)
20	15	10	125	185 645 132	1	0.619	185 645 152	1	0.619
25	20	10	271	185 645 133	1	1.017	185 645 153	1	1.017
32	25	10	481	185 645 134	1	1.223	185 645 154	1	1.223
40	32	10	759	185 645 135	1	1.883	185 645 155	1	1.883
50	40	10	1263	185 645 136	1	3.701	185 645 156	1	3.736
63	50	6	1728	185 645 137	1	4.546	185 645 157	1	4.546

d (mm)	D (mm)	D1_G (inch)	H (mm)	H1 (mm)	H2 (mm)	H3 (mm)	H4 (mm)	H5 (mm)	H7 (mm)	L (mm)	L2 (mm)	M	e (mm)	Lift = Hx (mm)
20	68	1/8	101	14	12	60	24	16	43	124	25	M6	2	7
25	96	1/8	132	18	12	73	25	16	57	144	25	M6	2	10
32	96	1/8	143	22	12	84	25	16	57	154	25	M6	2	13
40	120	1/8	173	26	15	99	26	26	69	174	45	M8	2	15
50	150	1/4	214	32	15	119	36	26	88	194	45	M8	3	19
63	150	1/4	226	39	15	132	36	26	88	224	45	M8	3	23

d (mm)	closest inch (inch)
20	1/2
25	3/4
32	1
40	1 1/4
50	1 1/2
63	2



**SYGEF Standard Diaphragm valve DIASTAR Ten
FO (Fail safe to open)
Unions with butt fusion spigots metric**

Model:

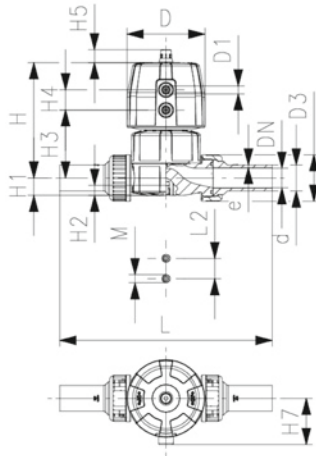
- Material: PVDF
- Double flow rate compared to predecessor
- One housing nut replaces four screws
- Rotating air connection at 90° intervals
- For easy installation and removal
- Short overall length

Option:

- Individual configuration of the valve
- Comprehensive range of accessories available

Working Pressure: **one side**

* O-Ring material: FKM



d (mm)	DN (mm)	PN (bar)	kv-value ($\Delta p=1$ bar) (l/min)	PTFE/ EPDM* Code	SP	Weight (kg)	PTFE/FKM* Code	SP	Weight (kg)
20	15	10	125	185 644 132	1	0.724	185 644 152	1	0.600
25	20	10	271	185 644 133	1	1.194	185 644 153	1	1.194
32	25	10	481	185 644 134	1	1.429	185 644 154	1	1.429
40	32	10	759	185 644 135	1	2.268	185 644 155	1	2.268
50	40	10	1263	185 644 136	1	4.204	185 644 156	1	4.204
63	50	6	1728	185 644 137	1	5.386	185 644 157	1	5.386

d (mm)	D (mm)	D1_G (inch)	H (mm)	H1 (mm)	H2 (mm)	H3 (mm)	H4 (mm)	H5 (mm)	H7 (mm)	L (mm)	L2 (mm)	M	e (mm)	Lift = Hx (mm)
20	68	1/8	101	14	12	60	24	16	43	196	25	M6	2	7
25	96	1/8	132	18	12	73	25	16	57	221	25	M6	2	10
32	96	1/8	143	22	12	84	25	16	57	234	25	M6	2	13
40	120	1/8	173	26	15	99	26	26	69	260	45	M8	2	15
50	150	1/4	214	32	15	119	36	26	69	284	45	M8	3	19
63	150	1/4	226	39	15	132	36	26	69	321	45	M8	3	23

d (mm)	closest inch (inch)
20	1/2
25	3/4
32	1
40	1 1/4
50	1 1/2
63	2



**SYGEF Standard Diaphragm valve DIASTAR Ten
FO (Fail safe to open)
Unions with fusion sockets metric**

Model:

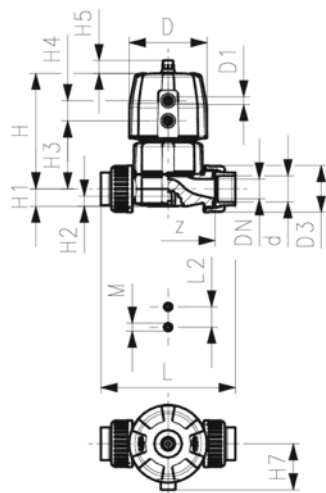
- Material: PVDF
- Double flow rate compared to predecessor
- One housing nut replaces four screws
- Rotating air connection at 90° intervals
- For easy installation and removal
- Short overall length

Option:

- Individual configuration of the valve
- Comprehensive range of accessories available

Working Pressure: **one side**

* O-Ring material: FKM



d (mm)	DN (mm)	kv-value ($\Delta p=1$ bar) (l/min)	PN (bar)	PTFE/ EPDM* Code	SP Weight (kg)	PTFE/FKM* Code	SP Weight (kg)
20	15	125	10	185 644 032	1	0.686	185 644 052
25	20	271	10	185 644 033	1	1.152	185 644 053
32	25	481	10	185 644 034	1	1.385	185 644 054
40	32	759	10	185 644 035	1	2.176	185 644 055
50	40	1263	10	185 644 036	1	4.176	185 644 056
63	50	1728	6	185 644 037	1	5.268	185 644 057

d (mm)	D (mm)	D1_G (inch)	H (mm)	H1 (mm)	H2 (mm)	H3 (mm)	H4 (mm)	H5 (mm)	H7 (mm)	L (mm)	L2 (mm)	M	z (mm)	Lift = Hx (mm)
20	68	1/8	101	14	12	60	24	16	43	128	25	M6	100	7
25	96	3/8	132	18	12	73	25	16	57	150	25	M6	118	10
32	96	1/2	143	22	12	84	25	16	57	162	25	M6	126	13
40	120	5/8	173	26	15	99	26	26	69	184	45	M8	144	15
50	150	3/4	214	32	15	119	36	26	88	210	45	M8	164	19
63	150	1/2	226	39	15	132	36	26	88	248	45	M8	194	23

d (mm)	closest inch (inch)
20	3/8
25	1/2
32	1
40	1 1/4
50	1 1/2
63	2



SYGEF Standard Diaphragm valve DIASTAR Ten FC (Fail safe to close)
With butt fusion spigots metric

Model:

- Material: PVDF
- Double flow rate compared to predecessor
- One housing nut replaces four screws
- Rotating air connection at 90° intervals

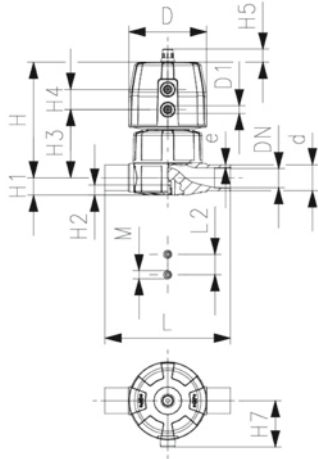
Option:

- Individual configuration of the valve
- Comprehensive range of accessories available

* PN: PTFE

Working Pressure: **one side**

* O-Ring material: FKM



d (mm)	DN (mm)	PN* (bar)	kv-value (Δp=1 bar) (L/min)	PTFE/ EPDM* Code	SP	Weight (kg)	PTFE/FKM* Code	SP	Weight (kg)
20	15	10/10*	125	185 625 132	1	0.541	185 625 152	1	0.541
25	20	10/10*	271	185 625 133	1	1.191	185 625 153	1	1.191
32	25	10/10*	481	185 625 134	1	1.403	185 625 154	1	1.403
40	32	10/10*	759	185 625 135	1	2.243	185 625 155	1	2.243
50	40	10/10*	1263	185 625 136	1	3.826	185 625 156	1	3.826
63	50	10/6*	1728	185 625 137	1	4.636	185 625 157	1	4.636

d (mm)	FKM Code
20	185 625 162
25	185 625 163
32	185 625 164
40	185 625 165
50	185 625 166
63	185 625 167

d (mm)	D (mm)	D1_G (inch)	H (mm)	H1 (mm)	H2 (mm)	H3 (mm)	H4 (mm)	H5 (mm)	H7 (mm)	L (mm)	L2 (mm)	M	e (mm)	Lift = Hx (mm)
20	68	⅜	101	14	12	60	24	16	43	124	25	M6	2	7
25	96	⅜	132	18	12	73	25	16	57	144	25	M6	2	10
32	96	⅜	143	22	12	84	25	16	57	154	25	M6	2	13
40	120	⅜	173	26	15	99	26	26	69	174	45	M8	2	15
50	150	¼	214	32	15	119	36	26	88	194	45	M8	3	19
63	150	¼	226	39	15	132	36	26	88	224	45	M8	3	23

d (mm)	closest inch (inch)
20	⅜
25	⅜
32	1
40	1 ¼
50	1 ½
63	2



SYGEF Standard Diaphragm valve DIASTAR Ten FC (Fail safe to close)
With socket fusion spigots metric

Model:

- Material: PVDF
- Double flow rate compared to predecessor
- One housing nut replaces four screws
- Rotating air connection at 90° intervals
- Overall length EN 558

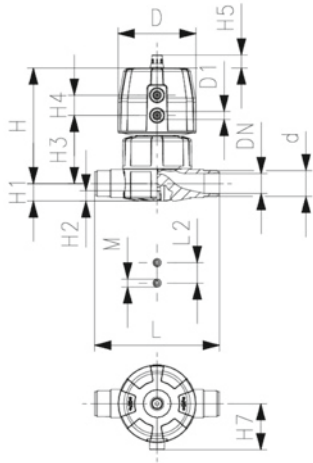
Option:

- Individual configuration of the valve
- Comprehensive range of accessories available

* PN: PTFE

Working Pressure: **one side**

* O-Ring material: FKM



d (mm)	DN (mm)	PN* (bar)	kv-value (Δp=1 bar) (L/min)	PTFE/ EPDM* Code	SP Weight (kg)	PTFE/FKM* Code	SP Weight (kg)
20	15	10/10*	125	185 625 032	1	0.670	185 625 052
25	20	10/10*	271	185 625 033	1	1.199	185 625 053
32	25	10/10*	481	185 625 034	1	1.411	185 625 054
40	32	10/10*	759	185 625 035	1	2.268	185 625 055
50	40	10/10*	1263	185 625 036	1	3.871	185 625 056
63	50	10/6*	1728	185 625 037	1	4.718	185 625 057

d (mm)	FKM Code
20	185 625 062
25	185 625 063
32	185 625 064
40	185 625 065
50	185 625 066
63	185 625 067

d (mm)	D (mm)	D1_G (inch)	H (mm)	H1 (mm)	H2 (mm)	H3 (mm)	H4 (mm)	H5 (mm)	H7 (mm)	L (mm)	L2 (mm)	M	Lift = Hx (mm)	closest inch (inch)
20	68	⅞	101	14	12	60	24	16	43	124	25	M6	7	½
25	96	⅞	132	18	12	73	25	16	57	144	25	M6	10	¾
32	96	⅞	143	22	12	84	25	16	57	154	25	M6	13	1
40	120	⅞	173	26	15	99	26	26	69	174	45	M8	15	1 ¼
50	150	⅞	214	32	15	119	36	26	88	194	45	M8	19	1 ½
63	150	⅞	226	39	15	132	36	26	88	224	45	M8	23	2

Diaphragm valves pneumatic



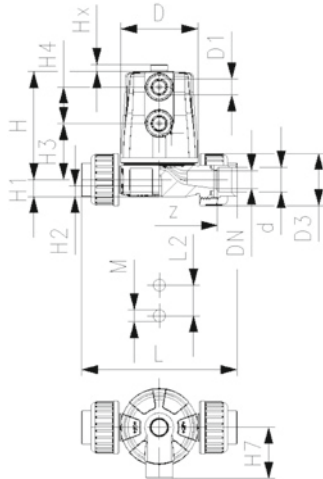
SYGEF Standard Diaphragm valve type 604 Unions with fusion socket metric

Model:

- Material: PVDF
- Compact full plastic design without screws
- High flow rate
- Actuator housing with thread for easy maintenance
- Quick opening & closing times
- For easy installation and removal
- Market standard installation length

Option:

- Individual configuration of the valve
- * O-Ring material: FKM



Actuator	d (mm)	DN (mm)	PN (bar)	kv-value ($\Delta p=1$ bar) (l/min)	FKM Code	Weight (kg)	PTFE/ EPDM* Code
FC	20	15	6	125	185 604 062	0.45	185 604 032
FO	20	15	6	125	185 604 064	0.42	185 604 034
DA	20	15	6	125	185 604 065	0.40	185 604 035

D	D1_G	D3	H	H1	H2	H3	H4	H7	L	L2	M	z	Lift = Hx
(mm)	(inch)	(mm)	(mm)	(mm)	(mm)	(mm)	(mm)	(mm)	(mm)	(mm)	(mm)	(mm)	(mm)
65	¼	43	89	14	12	46	30	42	128	25	M6	96	6
65	¼	43	89	14	12	46	30	42	128	25	M6	96	6
65	¼	43	89	14	12	46	30	42	128	25	M6	96	6



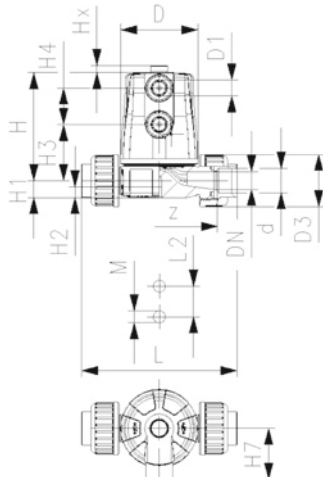
SYGEF Standard Diaphragm valve type 604 Unions with butt fusion spigot metric

Model:

- Material: PVDF
- Compact full plastic design without screws
- High flow rate
- Actuator housing with thread for easy maintenance
- Quick opening & closing times
- For easy installation and removal
- Market standard installation length

Option:

- Individual configuration of the valve
- * O-Ring material: FKM



d	DN	PN	kv-value	Actuator	FKM	Weight	PTFE/ EPDM* Code
(mm)	(mm)	(bar)	($\Delta p=1$ bar) (l/min)		Code	(kg)	Code
20	15	6	125	FC	185 604 162	0.45	185 604 132
20	15	6	125	FO	185 604 164	0.42	185 604 134
20	15	6	125	DA	185 604 165	0.40	185 604 135

D	D1_G	D3	H	H1	H2	H3	H4	H7	L	L2	M	z	Lift = Hx
(mm)	(inch)	(mm)	(mm)	(mm)	(mm)	(mm)	(mm)	(mm)	(mm)	(mm)	(mm)	(mm)	(mm)
65	¼	43	89	14	12	46	30	42	196	25	M6	100	6
65	¼	43	89	14	12	46	30	42	196	25	M6	100	6
65	¼	43	89	14	12	46	30	42	196	25	M6	100	6



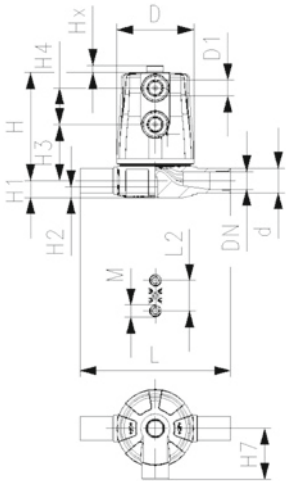
SYGEF Standard Diaphragm valve type 605
With butt fusion spigot metric

Model:

- Material: PVDF
- Compact full plastic design without screws
- High flow rate
- Actuator housing with thread for easy maintenance
- Quick opening & closing times
- For easy installation and removal
- Market standard installation length

Option:

- Individual configuration of the valve



d (mm)	DN (mm)	PN (bar)	kv-value ($\Delta p=1$ bar) (L/min)	Actuator	FKM Code	Weight (kg)	PTFE/ EPDM* Code
20	15	6	125	FC	185 605 162	0.37	185 605 132
20	15	6	125	FO	185 605 164	0.34	185 605 134
20	15	6	125	DA	185 605 165	0.35	185 605 135

D (mm)	D1_G (inch)	D3 (mm)	H (mm)	H1 (mm)	H2 (mm)	H3 (mm)	H4 (mm)	H7 (mm)	L (mm)	L2 (mm)	e (mm)	M	Lift = Hx (mm)
65	¼	43	89	14	12	46	30	42	124	25	1.9	M6	6
65	¼	43	89	14	12	46	30	42	124	25	1.9	M6	6
65	¼	43	89	14	12	46	30	42	124	25	1.9	M6	6



SYGEF Standard Diaphragm valve type DIASTAR 025
Function FC (Fail safe to close)
With fixed flanges PVDF Inch ANSI

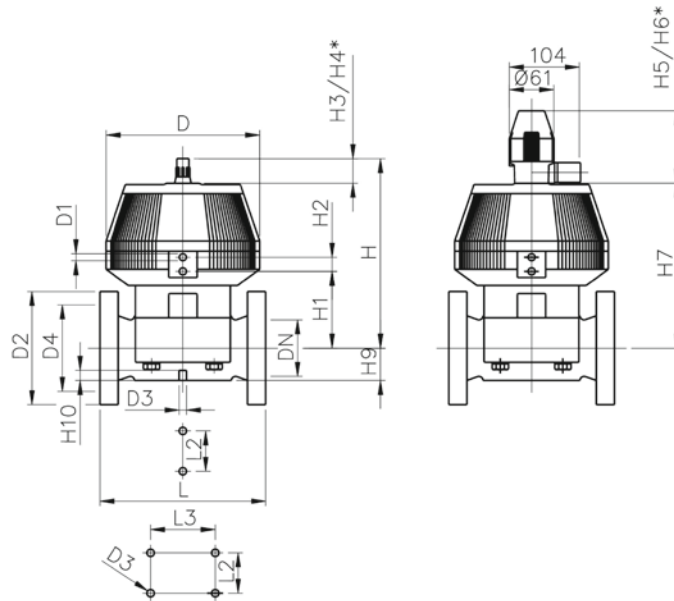
Model:

- Material: PVDF
- Overall length according to EN 558
- Connecting dimension: ANSI/ASME B 16.5 class 150, ASTM D 4024, BS 1560, BS EN 1759
- With position indicator / Working pressure: on one side
- * With backing flanges PP-V
- ** Connecting dimensions DN80 and DN150 metric and Inch ANSI B16.5

	d (mm)	Size (inch)	DN (mm)	PN (bar)	kv-value ($\Delta p=1$ bar) (L/min)	PTFE/EPDM Code	Weight (kg)
*		2 ½	65	10	992	199 025 327	14.200
**	90	3	80	10	1700	199 025 358	18.948
		4	100	6	2700	199 025 329	26.500

	D (mm)	D1_G (inch)	D2 (mm)	D3[M] (mm)	D4 (mm)	H (mm)	H1 (mm)	H2 (mm)	H3 (mm)	H4 (mm)	H5 (mm)	H6 (mm)	H7 (mm)	H9 (mm)	H10 (mm)
*	280	¼	185	8	145	344	148	24	46	100	129	195	298	46	15
**	280	¼	200	12	160	348	150	24	46	100	129	195	302	57	15
	335	¼	225	12	190	395	176	24	46	100	129	195	349	69	20

	L (mm)	L2 (mm)
*	290	70
**	310	120
	350	120



SYGEF Standard Diaphragm valve type DIASTAR 025
Function FC (Fail safe to close)
With fixed flanges PVDF metric

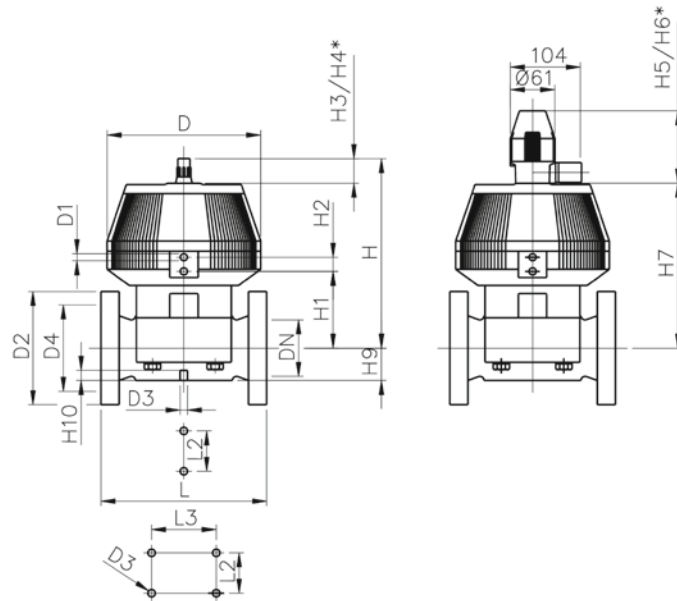
Model:

- Material: PVDF
- Connecting dimension: ISO 7005 / EN 1092 / DIN 25 PN10 / BS4504
- With position indicator / Working pressure: on one side
- * With backing flanges PP-V
- ** Connecting dimensions DN80 and DN150 metric and Inch ANSI B16.5

	d (mm)	Size (inch)	DN (mm)	PN (bar)	kv-value ($\Delta p=1$ bar) (l/min)	PTFE/EPDM Code	Weight (kg)
*	75	2 ½	65	10	992	199 025 357	13.600
**	90	3	80	10	1700	199 025 358	18.948
	110	4	100	8	2700	199 025 359	32.500

	d (mm)	D (mm)	D1_G (inch)	D2 (mm)	D3[M] (mm)	D4 (mm)	H (mm)	H1 (mm)	H2 (mm)	H3 (mm)	H4 (mm)	H5 (mm)	H6 (mm)	H7 (mm)	H9 (mm)
*	75	280	¼	185	8	145	344	148	24	46	100	129	195	298	46
**	90	280	¼	200	12	160	348	150	24	46	100	129	195	302	57
	110	335	¼	225	12	180	395	176	24	46	100	129	195	349	69

	d	H10	L	L2
	(mm)	(mm)	(mm)	(mm)
*	75	15	290	70
**	90	15	310	120
	110	20	350	120



SYGEF Standard Diaphragm valve type DIASTAR 025
Function FO (Fail safe to open)
With fixed flanges PVDF metric

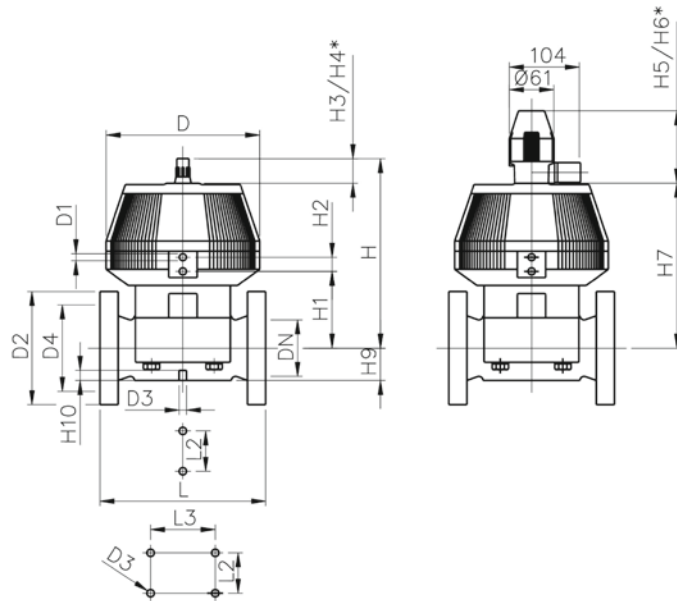
Model:

- Material: PVDF
- Connecting dimension: ISO 7005 / EN 1092 / DIN 25 PN10 / BS4504
- With position indicator / Working pressure: on one side
- * With backing flanges PP-V
- ** Connecting dimensions DN80 and DN150 metric and Inch ANSI B16.5

	d	DN	Size	PN	kv-value	PTFE/EPDM	Weight
	(mm)	(mm)	(inch)	(bar)	($\Delta p=1$ bar)	Code	(kg)
					(L/min)		
*	75	65	2 ½	10	992	199 025 367	13.600
**	90	80	3	10	1700	199 025 368	17.400
	110	100	4	6	2700	199 025 369	24.700
**	160	150	6	6	6033	199 025 370	19.000

	d	D	D1_G	D2	D3[M]	D4	H	H1	H2	H3	H4	H5	H6	H7	H9
	(mm)	(mm)	(inch)	(mm)	(mm)	(mm)	(mm)	(mm)	(mm)	(mm)	(mm)	(mm)	(mm)	(mm)	(mm)
*	75	280	¼	185	8	145	344	148	24	46	100	129	195	298	46
**	90	280	¼	200	12	160	348	150	24	46	100	129	195	302	57
	110	335	¼	225	12	180	395	176	24	46	100	129	195	349	69
**	160	335	¼	285	12	240	455	237	24	46	100	129	195	409	108

	d	H10	L	L2	L3
	(mm)	(mm)	(mm)	(mm)	(mm)
*	75	15	290	70	
**	90	15	310	120	
	110	20	350	120	
**	160	20	480	100	200



SYGEF Standard Diaphragm valve type DIASTAR 025
Function FO (Fail safe to open)
With fixed flanges PVDF Inch ANSI

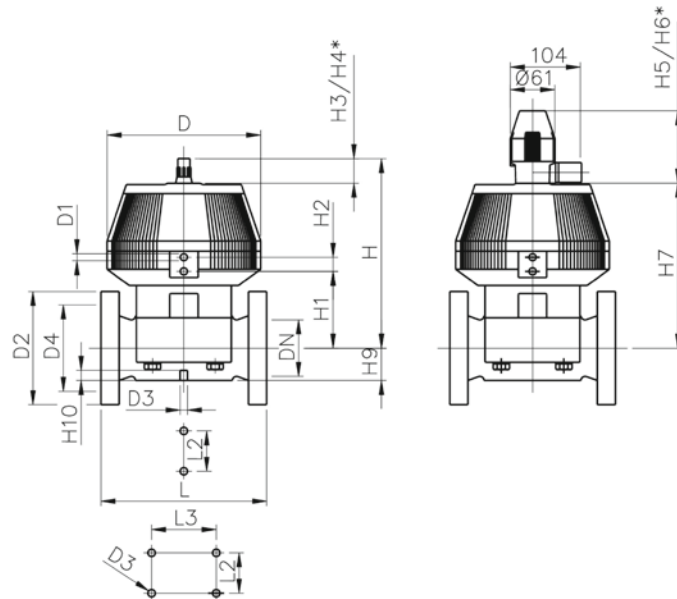
Model:

- Material: PVDF
- Overall length according to EN 558
- Connecting dimension: ANSI/ASME B 16.5 class 150, ASTM D 4024, BS 1560, BS EN 1759
- With position indicator / Working pressure: on one side
- * With backing flanges PP-V
- ** Connecting dimensions DN80 and DN150 metric and Inch ANSI B16.5

	d	Size	DN	PN	kv-value	PTFE/EPDM	Weight
	(mm)	(inch)	(mm)	(bar)	($\Delta p=1$ bar)	Code	(kg)
					(l/min)		
*		2 ½	65	10	992	199 025 337	12.200
**	90	3	80	10	1700	199 025 368	17.400
		4	100	6	2700	199 025 339	23.400
**	160	6	150	6	6033	199 025 370	19.000

	D	D1_G	D2	D3[M]	D4	H	H1	H2	H3	H4	H5	H6	H7	H9	H10
	(mm)	(inch)	(mm)	(mm)	(mm)	(mm)	(mm)	(mm)	(mm)	(mm)	(mm)	(mm)	(mm)	(mm)	(mm)
*	280	¼	185	8	145	344	148	24	46	100	129	195	298	46	15
**	280	¼	200	12	160	348	150	24	46	100	129	195	302	57	15
	335	¼	225	12	180	395	176	24	46	100	129	195	349	69	20
**	335	¼	285	12	240	455	237	24	46	100	129	195	409	108	20

	L (mm)	L2 (mm)	L3 (mm)
*	290	70	
**	310	120	
	350	120	
**	480	100	200



SYGEF Standard Diaphragm valve type DIASTAR 025
Function DA (Double acting)
With fixed flanges PVDF metric

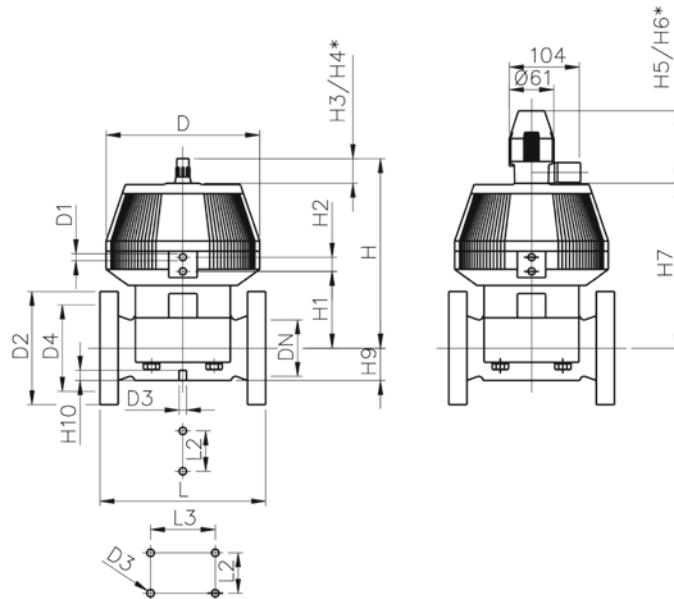
Model:

- Material: PVDF
- Connecting dimension: ISO 7005 / EN 1092 / DIN 25 PN10 / BS4504
- With position indicator / Working pressure: on one side
- * With backing flanges PP-V
- ** Connecting dimensions DN80 and DN150 metric and Inch ANSI B16.5

	d (mm)	DN (mm)	Size (inch)	PN (bar)	kv-value ($\Delta p=1$ bar) (l/min)	PTFE/EPDM Code	Weight (kg)
*	75	65	2 ½	10	992	199 025 377	13.600
**	90	80	3	10	1700	199 025 378	17.400
	110	100	4	6	2700	199 025 379	25.534
**	160	150	6	6	6033	199 025 380	35.000

	d (mm)	D (mm)	D1_G (inch)	D2 (mm)	D3[M] (mm)	D4 (mm)	H (mm)	H1 (mm)	H2 (mm)	H3 (mm)	H4 (mm)	H5 (mm)	H6 (mm)	H7 (mm)	H9 (mm)
*	75	280	¼	185	8	145	344	148	24	46	100	129	195	298	46
**	90	280	¼	200	12	160	348	150	24	46	100	129	195	302	57
	110	335	¼	225	12	180	395	176	24	46	100	129	195	349	69
**	160	335	¼	285	12	240	455	237	24	46	100	129	195	409	108

	d	H10	L	L2	L3
	(mm)	(mm)	(mm)	(mm)	(mm)
*	75	15	290	70	
**	90	15	310	120	
	110	20	350	120	
**	160	20	480	100	200



SYGEF Standard Diaphragm valve type DIASTAR 025
Function DA (Double acting)
With fixed flanges PVDF Inch ANSI

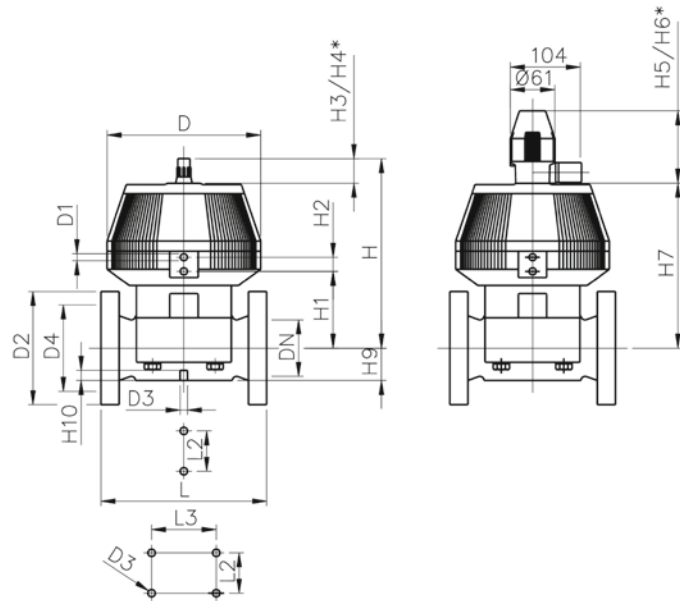
Model:

- Material: PVDF
- Overall length according to EN 558
- Connecting dimension: ANSI/ASME B 16.5 class 150, ASTM D 4024, BS 1560, BS EN 1759
- With position indicator / Working pressure: on one side
- * With backing flanges PP-V
- ** Connecting dimensions DN80 and DN150 metric and Inch ANSI B16.5

	d	Size	DN	PN	kv-value	PTFE/EPDM	Weight
	(mm)	(inch)	(mm)	(bar)	($\Delta p=1$ bar)	Code	(kg)
					(l/min)		
*		2 ½	65	10	992	199 025 347	13.000
**	90	3	80	10	1700	199 025 378	17.400
		4	100	6	2700	199 025 349	24.100
**	160	6	150	6	6033	199 025 380	35.000

	D	D1_G	D2	D3[M]	D4	H	H1	H2	H3	H4	H5	H6	H7	H9	H10
	(mm)	(inch)	(mm)	(mm)	(mm)	(mm)	(mm)	(mm)	(mm)	(mm)	(mm)	(mm)	(mm)	(mm)	(mm)
*	280	¼	185	8	145	344	148	24	46	100	129	195	298	46	15
**	280	¼	200	12	160	348	150	24	46	100	129	195	302	57	15
	335	¼	225	12	180	395	176	24	46	100	129	195	349	69	20
**	335	¼	285	12	240	455	237	24	46	100	129	195	409	108	20

	L (mm)	L2 (mm)	L3 (mm)
*	290	70	
**	310	120	
	350	120	
**	480	100	200



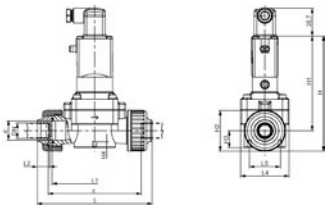
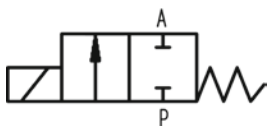
Solenoid valves



Solenoid valve type 165 PVC-U Straight-through valve 2/2-way/230V 50Hz/60Hz

Model:

- PN 0.5-6bar
- Material PVC-U: with solvent cement socket metric
- Protection class IP 65
- Electrical connection: cable plug
- With manual override
- Circuit function A: FC, closed in rest position



d (mm)	DN (mm)	Size (inch)	PN (bar)	kv-value ($\Delta p=1$ bar) (L/min)	EPDM Code	FKM Code
20	15	1/2	6	83	199 165 012	199 165 002
25	20	3/4	6	100	199 165 013	199 165 003
32	25	1	6	233	199 165 014	199 165 004
40	32	1 1/4	6	267	199 165 015	199 165 005
50	40	1 1/2	6	500	199 165 016	
63	50	2	6	600	199 165 017	199 165 007

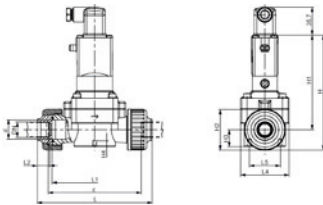
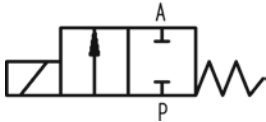
d (mm)	H (mm)	H1 (mm)	H2 (mm)	H3 (mm)	H4 (mm)	L (mm)	L1 (mm)	L2 (mm)	L4 (mm)	L5 (mm)	z (mm)
20	148	122	53	22	8	148	110	16	63	40	116
25	148	122	53	22	8	154	110	19	62	40	116
32	175	137	76	31	15	190	141	22	85	45	147
40	175	137	76	31	15	198	141	26	85	45	147
50	212	160	105	42	15	254	192	31	115	45	198
63	212	160	105	42	15	268	192	38	115	45	198



Solenoid valve type 165 PVC-U Straight-through valve 2/2-way/110V 50Hz/60Hz

Model:

- PN 0.5-6bar
- Material PVC-U: with solvent cement socket metric
- Protection class IP 65
- Electrical connection: cable plug
- With manual override
- Circuit function A: FC, closed in rest position



d (mm)	DN (mm)	Size (inch)	PN (bar)	kv-value ($\Delta p=1$ bar) (l/min)	EPDM Code	FKM Code
20	15	1/2	6	83	199 165 042	199 165 032
25	20	3/4	6	100	199 165 043	199 165 033
32	25	1	6	233	199 165 044	199 165 034
40	32	1 1/4	6	267	199 165 045	
50	40	1 1/2	6	500	199 165 046	
63	50	2	6	600	199 165 047	

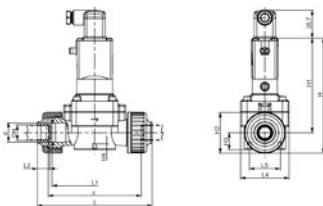
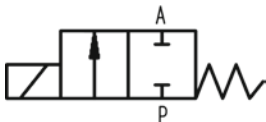
d (mm)	H (mm)	H1 (mm)	H2 (mm)	H3 (mm)	H4 (mm)	L (mm)	L1 (mm)	L2 (mm)	L4 (mm)	L5 (mm)	z (mm)
20	148	122	53	22	8	148	110	16	63	40	116
25	148	122	53	22	8	154	110	19	62	40	116
32	175	137	76	31	15	190	141	22	85	45	147
40	175	137	76	31	15	198	141	26	85	45	147
50	212	160	105	42	15	254	192	31	115	45	198
63	212	160	105	42	15	268	192	38	115	45	198



Solenoid valve type 165 PVC-U Straight-through valve 2/2-way/24V DC

Model:

- PN 0.5-6bar
- Material PVC-U: with solvent cement socket metric
- Protection class IP 65
- Electrical connection: cable plug
- With manual override
- Circuit function A: FC, closed in rest position



d (mm)	DN (mm)	Size (inch)	PN (bar)	kv-value ($\Delta p=1$ bar) (l/min)	EPDM Code	FKM Code
20	15	1/2	6	83	199 165 022	199 165 072
25	20	3/4	6	100	199 165 023	199 165 073
32	25	1	6	233	199 165 024	199 165 074
40	32	1 1/4	6	267	199 165 025	199 165 075
50	40	1 1/2	6	500	199 165 026	199 165 076
63	50	2	6	600	199 165 027	199 165 077

d (mm)	H (mm)	H1 (mm)	H2 (mm)	H3 (mm)	H4 (mm)	L (mm)	L1 (mm)	L2 (mm)	L4 (mm)	L5 (mm)	z (mm)
20	148	122	53	22	8	148	110	16	63	40	116
25	148	122	53	22	8	154	110	19	62	40	116
32	175	137	76	31	15	190	141	22	85	45	147
40	175	137	76	31	15	198	141	26	85	45	147
50	212	160	105	42	15	254	192	31	115	45	198
63	212	160	105	42	15	268	192	38	115	45	198

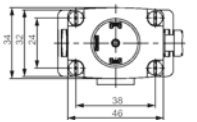
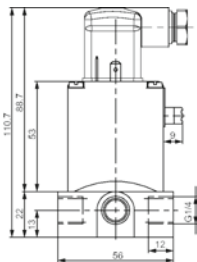
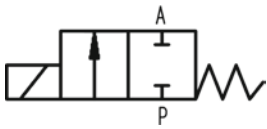


PROGEF Standard Solenoid valve type 166
Straight-through valve 2/2-way

Model:

- Material: PP-H
- With manual override
- Electrical connection: cable plug
- Protection class IP 65
- Circuit function A: FC, closed in rest position

DN (mm)	PN (bar)	kv-value ($\Delta p=1$ bar) (l/min)	Inner Thread (inch)	Voltage	EPDM Code	FKM Code
3	8.0	4	G1/4	24V DC	199 166 000	199 166 005
4	4.0	5	G1/4	24V DC	199 166 001	199 166 006
5	3.0	6	G1/4	24V DC	199 166 002	199 166 007
3	10.0	4	G1/4	230V 50Hz \pm 10%	199 166 010	
4	5.0	5	G1/4	230V 50Hz \pm 10%	199 166 011	
5	4.5	6	G1/4	230V 50Hz \pm 10%	199 166 012	199 166 017

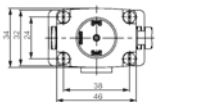
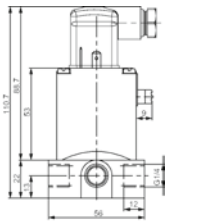
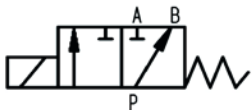


PROGEF Standard Solenoid valve type 166
Distribution valve 3/2-way

Model:

- Material: PP-H
- With manual override
- Electrical connection: cable plug
- Protection class IP 65
- Circuit function F: In rest position, pressure connection P connected to outlet B. A closed

DN (mm)	PN (bar)	kv-value ($\Delta p=1$ bar) (l/min)	Inner Thread (inch)	Voltage	Function	EPDM Code	FKM Code
4	4	5	G1/4	24V AC/DC	F	199 166 201	199 166 206
4	4	5	G1/4	230V, 50Hz	F	199 166 211	

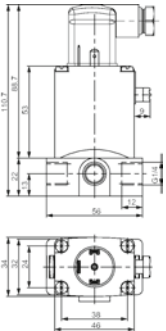
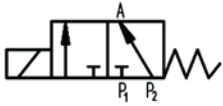




PROGEF Standard Solenoid valve type 166
Mixing valve 3/2-way

Model:

- Material: PP-H
- With manual override
- Electrical connection: cable plug
- Protection class IP 65
- Circuit function E: In rest position, pressure connection P2 connected to outlet A. P1 closed



DN (mm)	PN (bar)	kv-value ($\Delta p=1$ bar) (l/min)	Inner Thread (inch)	Voltage	PN (bar)	EPDM Code	FKM Code
3	4	4	G1/4	24V AC/DC	0 - 4	199 166 150	
3	6	4	G1/4	230V 50Hz \pm 10%	0 - 6		199 166 165
4	2	5	G1/4	24V AC/DC	0 - 2	199 166 151	199 166 156

SYGEF Plus

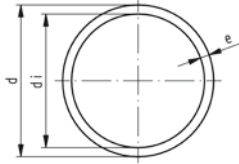


SYGEF Plus – System specification

Material	High Purity Polyvinylidene fluoride (PVDF HP)
Colour	Virgin material, opaque
Density	~1.78 g/cm ³ (ISO 1183 / ASTM D 792)
Surface tension	30–35 mJ/m ²
Thermal expansion coefficient	0.12–0.18 mm/mK (DIN 53752)
E-modulus	≥1800 N/mm ² (EN ISO 527 / ASTM D 790)
Thermal conductivity	0.19 W/mK (EN12664)
Surface resistivity	5 x 10 ¹⁴ Ωcm (IEC 60093)
Dimension	d20 (½")–d400 (16") in accordance to ISO 10931
Pressure rating	Pipes/fittings: PN16 (d20–d315), PN10 (d90–d400) Valves: separate specification
Temperature rating	From –20 °C to +140 °C (–4 °F to +284 °F)
Production	Fittings/diaphragm valves: injection moulded Pipes: extruded Produced under clean room ISO 14644-1 Class 7 (U.S. Fed. Std. 209E Class 10'000) conditions. Subsequent assembling, quality inspection and cleaning is carried out using 18 MΩ pure water under clean room ISO 14644-1 Class 5-6 (U.S. Fed. Std. 209E Class 100-1000) conditions.
Surface finish compliant to Semi F57	Inner surface (PN10/SDR33): ≤d225 Ra ≤0.2µm (8µin) / >d225 Ra ≤0.3µm (12µin) / ≥d280 Ra ≤0.4µm (16µin) / ≥d355 Ra ≤0.65µm (26µin) for injection moulded and extruded components
Marking	All components are embossed with a permanent identification during the production process to ensure full traceability. Lot No Material Dimension Pressure Rating
Testing and inspection (ISO 10931)	Inclusions Visual inspection Surface finish Dimension tolerance Pressure testing Periodic leachout per SEMI F40/F57
Approvals/conformance	DIBt ASME BPE FDA CFR 21 177.2510 USP 25 class VI (physiological non-toxic) SEMI F57 FM-4910 listing
Welding technology	BCF Plus, bead and crevice free fusion, size d20 (½")–d110 (4") IR Plus, infrared fusion (DVS 2207-6), size d20 (½")–d400 (16")
Documentation*	Certificate of Conformance with FDA, USP EN 10204 2.2 EN 10204 3.1
Packing	Pipes capped and each component double bagged in an specified inner bag and an outer bag under clean room ISO 14644-1 Class 6 (U.S. Fed. Std. 209E Class 1000) conditions.
Labeling	Brand Name Product Description Code Number Material Dimension
Main applications	Uses include delivery of ultrapure water in the semiconductor/electronic industry, pharmaceutical grade purified water (WFI/PW) and analytical DI water to highest purity requirements. A wide range of sanitisation methods is suitable such as Ozone, hot water or steam.

* On request

SYGEF Plus Pipes

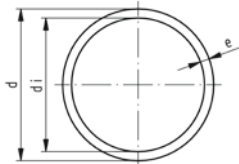


SYGEF Plus pipe SDR33/PN10 High Purity clean-room product ISO Class 5 (100)

Model:

- Material: PVDF-HP
- Length: 5m units

d (mm)	DN (mm)	PN (bar)	FM	Code	Weight (kg/m)	di (mm)	e (mm)
90	80	10	BCF, IR	175 481 665	1.480	84.4	2.8
110	100	10	BCF, IR	175 481 666	2.200	103.2	3.4
125	100	10	IR	175 481 667	2.840	117.2	3.9
140	125	10	IR	175 481 673	3.520	131.4	4.3
160	150	10	IR	175 481 668	4.540	150.2	4.9
200	200	10	IR	175 481 669	7.190	187.6	6.2
225	200	10	IR	175 481 670	8.950	211.2	6.9
250	250	10	IR	175 481 671	11.100	234.6	7.7
280	250	10	IR	175 481 656	13.900	262.8	8.6
315	300	10	IR	175 481 674	17.600	295.6	9.7
355	350	10	IR	175 481 657	20.960	333.2	10.9
400	400	10	IR	175 481 658	26.650	375.4	12.3

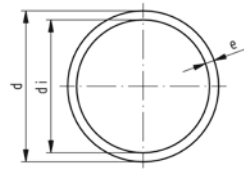


SYGEF Plus pipe SDR21/PN16 High Purity clean-room product ISO Class 5 (100)

Model:

- Material: PVDF-HP
- Length: 5m units

d (mm)	DN (mm)	PN (bar)	FM	Code	Weight (kg/m)	di (mm)	e (mm)
16	10	16	SF	175 481 202	0.171	12.2	1.9
20	15	16	BCF, IR	175 481 203	0.210	16.2	1.9
25	20	16	BCF, IR	175 481 204	0.269	21.2	1.9
32	25	16	BCF, IR	175 481 205	0.435	27.2	2.4
40	32	16	BCF, IR	175 481 206	0.563	35.2	2.4
50	40	16	BCF, IR	175 481 207	0.850	44.0	3.0
63	50	16	BCF, IR	175 481 208	1.090	57.0	3.0
75	65	16	BCF, IR	175 481 209	1.550	67.8	3.6
90	80	16	BCF, IR	175 481 210	2.230	81.4	4.3
110	100	16	BCF, IR	175 481 211	3.330	99.4	5.3
140	125	16	IR	175 481 213	5.312	126.6	6.7
160	150	16	IR	175 481 214	6.961	144.6	7.7
200	200	16	IR	175 481 216	10.862	180.8	9.6
225	200	16	IR	175 481 217	13.700	202.6	10.8
250	250	16	IR	175 481 218	17.150	226.2	11.9
280	250	16	IR	175 481 219	21.660	253.2	13.4
315	300	16	IR	175 481 220	27.220	285.0	15.0

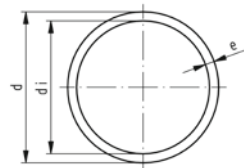


SYGEF Plus pipe
SDR33/PN10
High Purity clean-room product ISO Class 5 (100)

Model:

- Material: PVDF-HP
- Length: 5m units

d (mm)	DN (mm)	PN (bar)	FM	Code	Weight (kg/m)	di (mm)	e (mm)
90	80	10	BCF, IR	175481665S	1.480	84.4	2.8
110	100	10	BCF, IR	175481666S	2.200	103.2	3.4
125	100	10	IR	175481667S	2.840	117.2	3.9
140	125	10	IR	175481673S	3.520	131.4	4.3
160	150	10	IR	175481668S	4.540	150.2	4.9
200	200	10	IR	175481669S	7.190	187.6	6.2
225	200	10	IR	175481670S	8.950	211.2	6.9
250	250	10	IR	175481671S	11.100	234.6	7.7
280	250	10	IR	175481656S	13.900	262.8	8.6
315	300	10	IR	175481674S	17.600	295.6	9.7
355	350	10	IR	175481657S	20.960	333.2	10.9
400	400	10	IR	175481658S	26.650	375.4	12.3



SYGEF Plus pipe
SDR21/PN16
High Purity clean-room product ISO Class 5 (100)

Model:

- Material: PVDF-HP
- Length: 5m units

d (mm)	DN (mm)	PN (bar)	FM	Code	Weight (kg/m)	di (mm)	e (mm)
16	10	16	SF	175481202S	0.171	12.2	1.9
20	15	16	BCF, IR	175481203S	0.210	16.2	1.9
25	20	16	BCF, IR	175481204S	0.269	21.2	1.9
32	25	16	BCF, IR	175481205S	0.435	27.2	2.4
40	32	16	BCF, IR	175481206S	0.563	35.2	2.4
50	40	16	BCF, IR	175481207S	0.850	44.0	3.0
63	50	16	BCF, IR	175481208S	1.090	57.0	3.0
75	65	16	BCF, IR	175481209S	1.550	67.8	3.6
90	80	16	BCF, IR	175481210S	2.230	81.4	4.3
110	100	16	BCF, IR	175481211S	3.330	99.4	5.3
140	125	16	IR	175481213S	5.312	126.6	6.7
160	150	16	IR	175481214S	6.961	144.6	7.7
200	200	16	IR	175481216S	10.862	180.8	9.6
225	200	16	IR	175481217S	13.700	202.6	10.8
250	250	16	IR	175481218S	17.150	226.2	11.9
280	250	16	IR	175481219S	21.660	253.2	13.4
315	300	16	IR	175481220S	27.220	285.0	15.0

SYGEF Plus Fittings

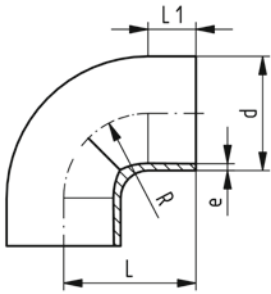
Butt fusion fittings



SYGEF Plus Bend 90°
SDR33/PN10
 High Purity clean-room product ISO Class 5 (100)

Model:

- Material: PVDF-HP



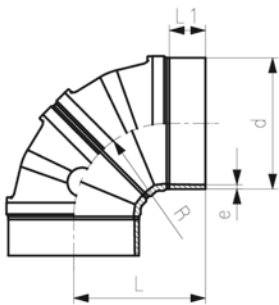
d (mm)	PN (bar)	FM	Code	Weight (kg)	L (mm)	L1 (mm)	R (mm)	e (mm)
90	10	BCF, IR	735 018 538	0.330	90	23	77	2.8
110	10	BCF, IR	735 018 539	0.580	110	23	98	3.4
125	10	IR	735 018 540	0.781	125	28	112	3.9
140	10	IR	735 018 541	1.109	140	33	121	4.3
160	10	IR	735 018 542	1.684	160	33	141	4.9
200	10	IR	735 018 544	3.032	200	33	181	6.2
225	10	IR	735 018 545	4.013	220	33	200	6.9
250	10	IR	735 018 546	4.304	254	48	232	7.7
280	10	IR	735 018 547	6.370	283	48	262	8.6
315	10	IR	735 018 548	9.032	321	48	297	9.7



SYGEF Plus bend 90°
SDR33/PN10
 High Purity clean-room product ISO Class 5 (100)

Model:

- Material: PVDF-HP



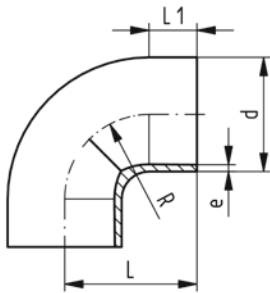
d (mm)	PN (bar)	FM	Code	Weight (kg)	e (mm)	L (mm)	L1 (mm)	R (mm)
355	10	IR	735 018 549	18.072	10.9	359	98	257
400	10	IR	735 018 550	23.985	12.3	392	98	290



SYGEF Plus Bend 90°
SDR21/PN16
 High Purity clean-room product ISO Class 5 (100)

Model:

- Material: PVDF-HP

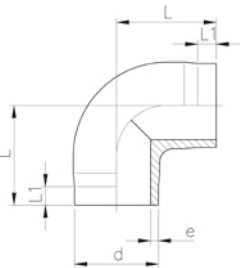


d (mm)	PN (bar)	FM	Code	Weight (kg)	L (mm)	L1 (mm)	R (mm)	e (mm)
20	16	BCF, IR	735 018 731	0.016	38	23	15	1.9
25	16	BCF, IR	735 018 732	0.023	42	23	19	1.9
32	16	BCF, IR	735 018 733	0.039	46	22	24	2.4
40	16	BCF, IR	735 018 734	0.055	51	21	30	2.4
50	16	BCF, IR	735 018 735	0.096	58	21	37	3.0
63	16	BCF, IR	735 018 736	0.139	66	21	45	3.0
75	16	BCF, IR	735 018 737	0.270	75	23	62	3.6
90	16	BCF, IR	735 018 738	0.427	90	23	77	4.3
110	16	BCF, IR	735 018 739	0.709	110	23	98	5.3
140	16	IR	735 018 741	1.549	140	33	121	6.7
160	16	IR	735 018 742	2.193	160	33	141	7.7
200	16	IR	735 018 744	3.850	200	33	181	9.6
225	16	IR	735 018 745	5.620	220	33	200	10.8
250	16	IR	735 018 746	6.536	254	48	232	11.9
280	16	IR	735 018 747	9.182	283	48	262	13.4
315	16	IR	735 018 748	13.031	321	48	297	15.0

SYGEF Plus Elbow 90°
SDR21/PN16
 High Purity clean-room product ISO Class 5 (100)

Model:

- Material: PVDF-HP



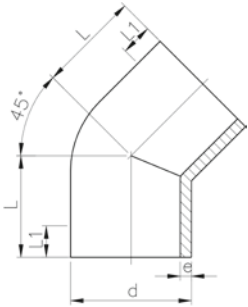
d (mm)	PN (bar)	FM	Code	Weight (kg)	L (mm)	L1 (mm)	e (mm)
20	16	BCF, IR	735 108 631	0.018	38	25	1.9
25	16	BCF, IR	735 108 632	0.025	42	26	1.9
32	16	BCF, IR	735 108 633	0.043	46	26	2.4
40	16	BCF, IR	735 108 634	0.062	51	28	2.4
50	16	BCF, IR	735 108 635	0.110	58	28	3.0
63	16	BCF, IR	735 108 636	0.189	66	28	3.0



**SYGEF Plus Elbow 45°
SDR33/PN10**
High Purity clean-room product ISO Class 5 (100)

Model:

- Material: PVDF-HP



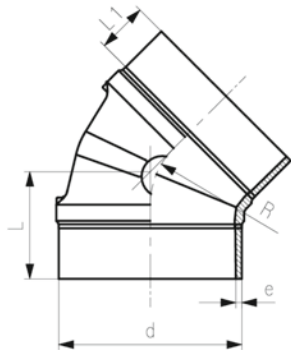
d (mm)	PN (bar)	FM	Code	Weight (kg)	L (mm)	L1 (mm)	e (mm)
90	10	BCF, IR	735 158 538	0.195	57	37	2.8
110	10	BCF, IR	735 158 539	0.348	70	46	3.4
125	10	IR	735 158 540	0.490	79	51	3.9
140	10	IR	735 158 541	0.720	88	57	4.3
160	10	IR	735 158 542	1.047	100	62	4.9
200	10	IR	735 158 544	1.990	124	77	6.2
225	10	IR	735 158 545	2.732	140	88	6.9



**SYGEF Plus bend 45°
SDR33/PN10**
High Purity clean-room product ISO Class 5 (100)

Model:

- Material: PVDF-HP



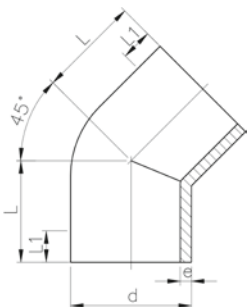
d (mm)	PN (bar)	FM	Code	Weight (kg)	L (mm)	L1 (mm)	R (mm)	e (mm)
250	10	IR	735 158 546	2.402	120	47	232	7.7
280	10	IR	735 158 547	3.518	133	47	262	8.6
315	10	IR	735 158 548	4.923	147	47	297	9.7
355	10	IR	735 158 549	11.491	208	98	257	10.9
400	10	IR	735 158 550	15.114	222	98	290	12.3



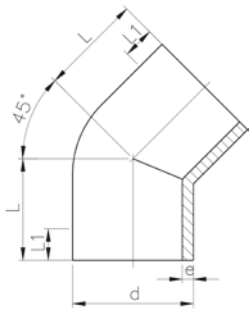
**SYGEF Plus Elbow 45°
SDR21/PN16**
High Purity clean-room product ISO Class 5 (100)

Model:

- Material: PVDF-HP



d (mm)	PN (bar)	FM	Code	Weight (kg)	L (mm)	L1 (mm)	e (mm)
20	16	BCF, IR	735 158 631	0.015	32	25	1.9
25	16	BCF, IR	735 158 632	0.019	34	26	1.9
32	16	BCF, IR	735 158 633	0.033	36	26	2.4
40	16	BCF, IR	735 158 634	0.048	39	28	2.4
50	16	BCF, IR	735 158 635	0.077	42	30	3.0
63	16	BCF, IR	735 158 636	0.111	47	31	3.0
75	16	BCF, IR	735 158 637	0.198	49	32	3.6
90	16	BCF, IR	735 158 638	0.279	57	37	4.3
110	16	BCF, IR	735 158 639	0.506	70	46	5.3



d (mm)	PN (bar)	FM	Code	Weight (kg)	L (mm)	L1 (mm)	e (mm)
140	16	IR	735 158 641	1.095	88	57	6.7
160	16	IR	735 158 642	1.605	100	62	7.7
200	16	IR	735 158 644	3.018	124	77	9.6
225	16	IR	735 158 645	4.324	140	88	10.8

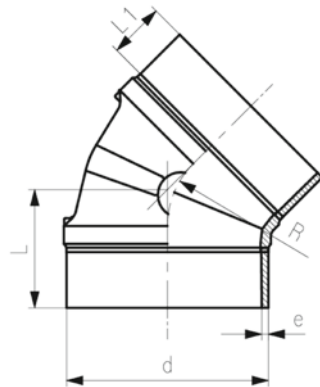


SYGEF Plus Bend 45°
SDR21/PN16
 High Purity clean-room product ISO Class 5 (100)

Model:

- Material: PVDF-HP

d (mm)	PN (bar)	FM	Code	Weight (kg)	L (mm)	L1 (mm)	R (mm)	e (mm)
250	16	IR	735 158 646	3.669	120	47	232	11.9
280	16	IR	735 158 647	5.099	133	47	262	13.4
315	16	IR	735 158 648	7.162	147	47	297	15.0

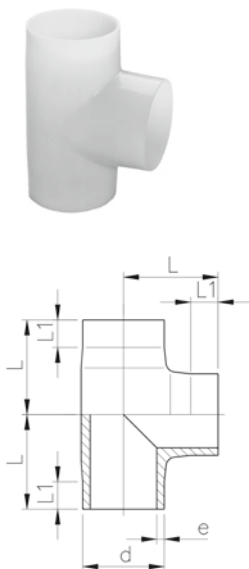


SYGEF Plus tee 90° equal
SDR33/PN10
 High Purity clean-room product ISO Class 5 (100)

Model:

- Material: PVDF-HP

d (mm)	PN (bar)	FM	Code	Weight (kg)	L (mm)	L1 (mm)	e (mm)
90	10	BCF, IR	735 208 538	0.433	90	39	2.8
110	10	BCF, IR	735 208 539	0.766	110	48	3.4
125	10	IR	735 208 540	1.280	125	56	3.9
140	10	IR	735 208 541	1.554	140	62	4.3
160	10	IR	735 208 542	2.294	160	71	4.9
200	10	IR	735 208 544	5.047	200	80	6.2
225	10	IR	735 208 545	6.854	220	86	6.9
250	10	IR	735 208 546	6.939	223	70	7.7
280	10	IR	735 208 547	10.475	256	74	8.6
315	10	IR	735 208 548	13.882	274	74	9.7



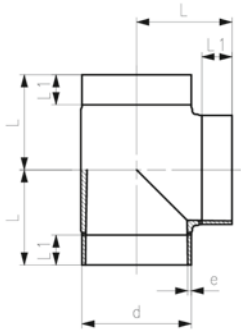


SYGEF Plus tee 90° equal
SDR33/PN10
High Purity clean-room product ISO Class 5 (100)

Model:

- Material: PVDF-HP

d (mm)	PN (bar)	FM	Code	Weight (kg)	e (mm)	L (mm)	L1 (mm)
355	10	IR	735 208 549	21.542	10.9	311	98
400	10	IR	735 208 550	29.042	12.3	332	98

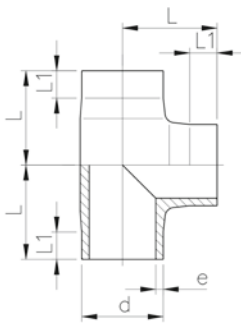


SYGEF Plus tee 90° equal
SDR21/PN16
High Purity clean-room product ISO Class 5 (100)

Model:

- Material: PVDF-HP

d (mm)	PN (bar)	FM	Code	Weight (kg)	L (mm)	L1 (mm)	e (mm)
20	16	BCF, IR	735 208 631	0.025	38	25	1.9
25	16	BCF, IR	735 208 632	0.034	42	27	1.9
32	16	BCF, IR	735 208 633	0.059	46	27	2.4
40	16	BCF, IR	735 208 634	0.086	51	28	2.4
50	16	BCF, IR	735 208 635	0.146	58	28	3.0
63	16	BCF, IR	735 208 636	0.254	66	28	3.0
75	16	BCF, IR	735 208 637	0.336	75	32	3.6
90	16	BCF, IR	735 208 638	0.587	90	39	4.3
110	16	BCF, IR	735 208 639	1.076	110	48	5.3
140	16	IR	735 208 641	2.384	140	62	6.7
160	16	IR	735 208 642	3.143	160	71	7.7
200	16	IR	735 208 644	6.845	200	80	9.6
225	16	IR	735 208 645	9.755	220	86	10.8
250	16	IR	735 208 646	10.823	223	70	11.9
280	16	IR	735 208 647	16.061	256	74	13.4
315	16	IR	735 208 648	21.422	274	74	15.0



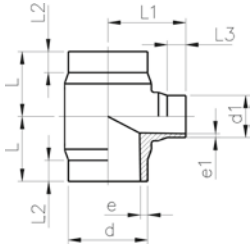


**SYGEF Plus tee 90° reduced
PN10
High Purity clean-room product ISO Class 5 (100)**

Model:

- Material: PVDF-HP

d - d1 (mm)	PN (bar)	SDR	FM	Code	Weight (kg)	L (mm)	L1 (mm)	L2 (mm)	L3 (mm)	e (mm)	e1 (mm)
160 - 90	10	33-21	IR	735 208 587	2.257	155	130	60	25	4.9	4.3
160 - 110	10	33-21	IR	735 208 586	2.330	155	130	60	25	4.9	5.3
225 - 90	10	33-21	IR	735 208 595	4.275	155	160	60	25	6.9	4.3
225 - 110	10	33-21	IR	735 208 594	4.586	155	160	60	25	6.9	5.3
225 - 160	10	33-33	IR	735 208 593	4.452	155	170	60	35	6.9	4.9

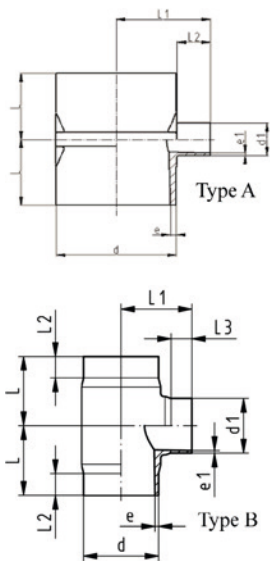


**SYGEF Plus tee 90° reduced
SDR21/PN16
High Purity clean-room product ISO Class 5 (100)**

Model:

- Material: PVDF-HP

d (mm)	d1 (mm)	PN (bar)	FM	Type	Code	Weight (kg)	L (mm)	L1 (mm)	L2 (mm)	L3 (mm)	e (mm)	e1 (mm)
63	20	16	BCF, IR	A	735 208 956	0.250	60	67	25	35	3.0	1.9
63	25	16	BCF, IR	A	735 208 957	0.245	60	66	25	34	3.0	1.9
63	32	16	BCF, IR	A	735 208 958	0.257	60	67	25	25	3.0	2.4
63	40	16	BCF, IR	A	735 208 959	0.254	60	66	25	26	3.0	2.4
75	20	16	BCF, IR	A	735 208 961	0.348	65	69	25	31	3.6	1.9
75	25	16	BCF, IR	A	735 208 962	0.356	65	72	25	34	3.6	1.9
75	32	16	BCF, IR	A	735 208 963	0.308	65	69	25	31	3.6	2.4
75	40	16	BCF, IR	A	735 208 964	0.312	65	72	25	26	3.6	2.4
75	50	16	BCF, IR	A	735 208 965	0.372	65	69	25	26	3.6	3.0
90	20	16	BCF, IR	A	735 208 967	0.470	65	76	25	31	4.3	1.9
90	25	16	BCF, IR	A	735 208 968	0.466	65	79	25	34	4.3	1.9
90	32	16	BCF, IR	A	735 208 969	0.405	65	76	25	31	4.3	2.4
90	40	16	BCF, IR	A	735 208 970	0.476	65	79	25	26	4.3	2.4
90	50	16	BCF, IR	B	735 208 940	0.490	90	90	39	32	4.3	3.0
90	63	16	BCF, IR	B	735 208 941	0.494	90	90	39	32	4.3	3.0
90	75	16	BCF, IR	B	735 208 942	0.512	90	90	39	32	4.3	3.6
110	20	16	BCF, IR	A	735 208 974	0.641	65	86	25	31	5.3	1.9
110	25	16	BCF, IR	A	735 208 975	0.570	65	89	25	34	5.3	1.9
110	32	16	BCF, IR	A	735 208 976	0.570	65	86	25	31	5.3	2.4
110	40	16	BCF, IR	A	735 208 977	0.640	65	89	25	26	5.3	2.4
110	50	16	BCF, IR	A	735 208 978	0.640	65	86	25	26	5.3	3.0
110	63	16	BCF, IR	B	735 208 948	0.889	110	110	48	40	5.3	3.0
110	75	16	BCF, IR	B	735 208 949	0.919	110	110	48	40	5.3	3.6
110	90	16	BCF, IR	B	735 208 950	0.936	110	110	48	40	5.3	4.3
160	90	16	IR	B	735 208 687	2.902	155	130	60	25	7.7	4.3
160	110	16	IR	B	735 208 686	3.078	155	130	60	25	7.7	5.3
225	90	16	IR	B	735 208 695	5.423	155	160	60	25	10.8	4.3
225	110	16	IR	B	735 208 694	5.460	155	160	60	25	10.8	5.3

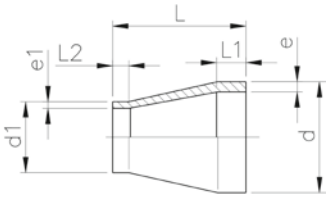




SYGEF Plus reducer
PN10
High Purity clean-room product ISO Class 5 (100)

Model:

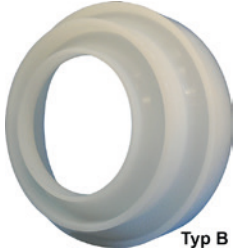
- Material: PVDF-HP



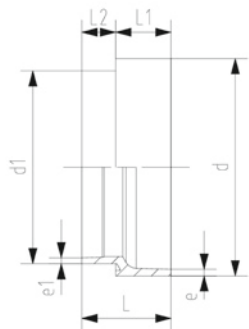
d (mm)	d1 (mm)	PN (bar)	SDR	FM	Code	Weight (kg)	L (mm)	L1 (mm)	L2 (mm)	e (mm)	e1 (mm)
90	63	10	33-21	BCF, IR	735 908 511	0.149	75	25	30	2.8	3.0
110	63	10	33-21	BCF, IR	735 908 513	0.176	90	30	30	3.4	3.0
110	90	10	33-33	BCF, IR	735 908 515	0.179	90	30	35	3.4	2.8
125	110	10	33-21	IR	735 908 500	0.406	100	35	40	3.9	5.3
140	110	10	33-21	IR	735 908 502	0.418	110	40	40	4.3	5.3
140	125	10	33-33	IR	735 908 501	0.439	110	40	40	4.3	3.9
160	110	10	33-33	IR	735 908 521	0.550	120	40	40	4.9	3.4
160	110	10	33-21	IR	735 908 504	0.539	120	40	40	4.9	5.3
160	140	10	33-33	IR	735 908 503	0.634	120	40	40	4.9	4.3
200	160	10	33-33	IR	735 908 505	0.883	145	50	40	6.2	4.9
225	110	10	33-33	IR	735 908 526	1.314	160	55	35	6.9	3.4
225	110	10	33-21	IR	735 908 506	1.373	160	55	35	6.9	5.3
225	160	10	33-33	IR	735 908 507	1.181	160	55	40	6.9	4.9
225	200	10	33-33	IR	735 908 508	1.304	160	55	50	6.9	6.2



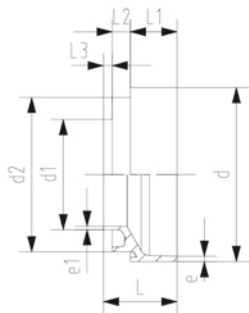
Typ A



Typ B



Typ A



Typ B

SYGEF Plus reducer SDR33/PN10
High Purity clean-room product ISO Class 5 (100)

Model:

- Material: PVDF-HP

Note:

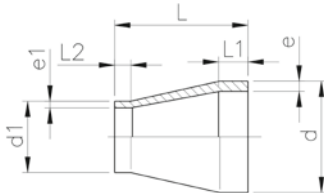
Type B: clamping for welding spigot d1 needs to be done on diameter d2
*d1 welding needs to be done on IR-315 A/ Plus

d - d1 (mm)	d2 (mm)	PN (bar)	FM	Type	Code	L (mm)	L1 (mm)	L2 (mm)	L3 (mm)	e (mm)	e1 (mm)
250 - 160	225	10	IR	B	735 908 522	100	42	33	10	7.7	4.9
250 - 160	225	10	IR	B	735 908 542	100	42	33	10	7.7	7.7
250 - 225		10	IR	A	735 908 524	90	42	33		7.7	6.9
250 - 225		10	IR	A	735 908 544	90	42	33		7.7	10.8
280 - 160	225	10	IR	B	735 908 525	100	50	33	10	8.6	4.9
280 - 160	225	10	IR	B	735 908 545	100	50	33	10	8.6	7.7
280 - 225		10	IR	A	735 908 527	90	50	33		8.6	6.9
280 - 225		10	IR	A	735 908 547	90	50	33		8.6	10.8
315 - 160	225	10	IR	B	735 908 528	115	50	33	10	9.7	4.9
315 - 160	225	10	IR	B	735 908 548	115	50	33	10	9.7	7.7
315 - 225		10	IR	A	735 908 530	105	50	33		9.7	6.9
315 - 225		10	IR	A	735 908 550	105	50	33		9.7	10.8
*	355 - 225	10	IR	A	735 908 535	150	95	43		10.9	6.9
*	355 - 315	10	IR	A	735 908 534	145	90	55		10.9	9.7
*	400 - 225	10	IR	A	735 908 537	150	95	43		12.3	6.9
*	400 - 315	10	IR	A	735 908 536	145	90	55		12.3	9.7

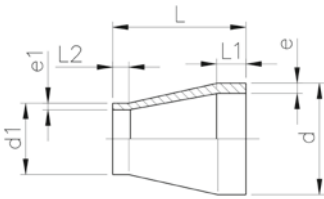
SYGEF Plus reducer SDR21/PN16
High Purity clean-room product ISO Class 5 (100)

Model:

- Material: PVDF-HP



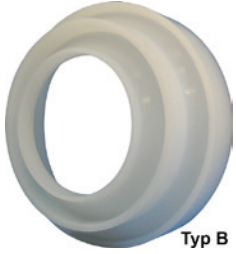
d (mm)	d1 (mm)	PN (bar)	FM	Code	Weight (kg)	L (mm)	L1 (mm)	L2 (mm)	e (mm)	e1 (mm)
25	20	16	BCF, IR	735 908 600	0.013	50	22	22	1.9	1.9
32	20	16	BCF, IR	735 908 602	0.018	50	22	22	2.4	1.9
32	25	16	BCF, IR	735 908 601	0.019	50	22	22	2.4	1.9
40	20	16	BCF, IR	735 908 605	0.025	58	22	24	2.4	1.9
40	25	16	BCF, IR	735 908 604	0.025	55	22	24	2.4	1.9
40	32	16	BCF, IR	735 908 603	0.029	55	22	24	2.4	2.4
50	25	16	BCF, IR	735 908 608	0.040	60	22	25	3.0	1.9
50	32	16	BCF, IR	735 908 607	0.044	60	22	25	3.0	2.4
50	40	16	BCF, IR	735 908 606	0.046	60	22	25	3.0	2.4
63	32	16	BCF, IR	735 908 611	0.059	65	22	25	3.0	2.4



d (mm)	d1 (mm)	PN (bar)	FM	Code	Weight (kg)	L (mm)	L1 (mm)	L2 (mm)	e (mm)	e1 (mm)
63	40	16	BCF, IR	735 908 610	0.061	65	22	25	3.0	2.4
63	50	16	BCF, IR	735 908 609	0.070	65	22	25	3.0	3.0
75	40	16	BCF, IR	735 908 614	0.109	68	24	25	3.6	2.4
75	50	16	BCF, IR	735 908 613	0.091	65	24	25	3.6	3.0
75	63	16	BCF, IR	735 908 612	0.095	65	24	25	3.6	3.0
90	63	16	BCF, IR	735 908 616	0.164	75	25	30	4.3	3.0
90	75	16	BCF, IR	735 908 615	0.187	75	25	35	4.3	3.6
110	63	16	BCF, IR	735 908 619	0.239	90	30	30	5.3	3.0
110	75	16	BCF, IR	735 908 618	0.249	90	30	35	5.3	3.6
110	90	16	BCF, IR	735 908 617	0.266	90	30	35	5.3	4.3
140	110	16	IR	735 908 621	0.614	110	40	40	6.7	5.3
160	110	16	IR	735 908 623	0.706	120	40	40	7.7	5.3
160	140	16	IR	735 908 622	0.899	120	40	40	7.7	6.7
200	160	16	IR	735 908 624	1.474	145	40	35	9.6	7.7
225	110	16	IR	735 908 625	1.630	160	55	40	10.8	5.3
225	160	16	IR	735 908 626	1.762	160	55	28	10.8	7.7
225	200	16	IR	735 908 627	2.142	160	55	50	10.8	9.6



Typ A



Typ B

SYGEF Plus reducer
SDR21/PN16
High Purity clean-room product ISO Class 5 (100)

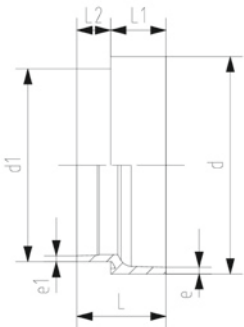
Model:

- Material: PVDF-HP

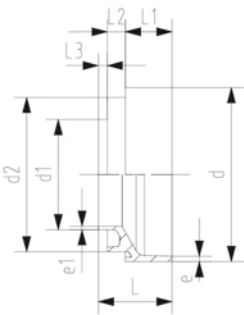
Note:

for Type B, clamping for welding spigot d1 needs to be done on diameter d2

d (mm)	d1 (mm)	d2 (mm)	PN (bar)	FM	Type	Code	L (mm)	L1 (mm)	L2 (mm)	L3 (mm)	e (mm)	e1 (mm)
250	160	225	16	IR	B	735 908 628	100	42	33	10	11.9	7.7
250	225		16	IR	A	735 908 629	90	42	33		11.9	10.8
280	160	225	16	IR	B	735 908 630	100	50	33	10	13.4	7.7
280	225		16	IR	A	735 908 631	90	50	33		13.4	10.8
315	160	225	16	IR	B	735 908 632	115	50	33	10	15.0	7.7
315	225		16	IR	A	735 908 633	105	50	33		15.0	10.8



Typ A



Typ B



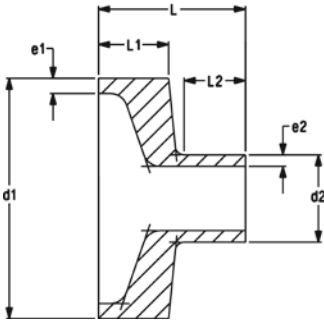
SYGEF Plus flush style reducer PN10 (SDR33)
High Purity clean-room product ISO Class 5 (100)

Model:

- Material: PVDF-HP
- Machined version; longer spigots possible on request
- Both spigots long enough for clamping on all possible IR-welding machines

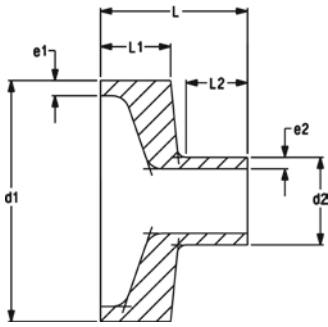
Note:

Further dimensions on request



d1 (mm)	d2 (mm)	PN (bar)	Code	Weight (kg)
110	90	10	735 903 407	0.190
140	90	10	735 903 415	0.450
140	110	10	735 903 416	0.390
160	90	10	735 903 424	0.650
160	110	10	735 903 425	0.580
160	140	10	735 903 426	0.480
200	90	10	735 903 434	1.410
200	110	10	735 903 435	1.250
200	140	10	735 903 436	0.910
200	160	10	735 903 437	0.830
225	90	10	735 903 445	1.790
225	110	10	735 903 446	1.680
225	140	10	735 903 447	1.500
225	160	10	735 903 448	1.320
225	200	10	735 903 449	0.930
250	90	10	735 903 457	2.400
250	110	10	735 903 458	2.300
250	140	10	735 903 459	2.110
250	160	10	735 903 460	1.970
250	200	10	735 903 461	1.600
250	225	10	735 903 462	1.120
280	90	10	735 903 470	3.210
280	110	10	735 903 471	3.100
280	140	10	735 903 472	2.980
280	160	10	735 903 473	2.800
280	200	10	735 903 474	2.230
280	225	10	735 903 475	1.940
280	250	10	735 903 476	1.860
315	90	10	735 903 484	4.680
315	110	10	735 903 485	4.550
315	140	10	735 903 486	4.310
315	160	10	735 903 487	4.120
315	200	10	735 903 488	3.740
315	225	10	735 903 489	3.470
315	250	10	735 903 490	3.060
315	280	10	735 903 491	2.690

d1 (mm)	d2 (mm)	e1 (mm)	e2 (mm)	L (mm)	L1 (mm)	L2 (mm)	d1 FM	d2 FM
110	90	3.4	2.8	66	30	26.0	IR-110 / IR-225 / IR-315	IR-110 / IR-225
140	90	4.3	2.8	76	38	26.0	IR-225 / IR-315	IR-110 / IR-225
140	110	4.3	3.4	78	38	28.5	IR-225 / IR-315	IR-110 / IR-225 / IR-315
160	90	4.9	2.8	80	40	26.0	IR-225 / IR-315	IR-110 / IR-225
160	110	4.9	3.4	80	40	28.5	IR-225 / IR-315	IR-110 / IR-225 / IR-315
160	140	4.9	4.3	88	40	37.5	IR-225 / IR-315	IR-225 / IR-315
200	90	6.2	2.8	90	50	26.0	IR-225 / IR-315	IR-110 / IR-225
200	110	6.2	3.4	89	40	28.5	IR-225 / IR-315	IR-225 / IR-315
200	140	6.2	4.3	89	40	37.5	IR-225 / IR-315	IR-225 / IR-315
200	160	6.2	4.9	88	40	37.5	IR-225 / IR-315	IR-225 / IR-315
225	90	6.9	2.8	94	50	26.0	IR-225 / IR-315	IR-110 / IR-225
225	110	6.9	3.4	94	50	28.5	IR-225 / IR-315	IR-225 / IR-315



d1 (mm)	d2 (mm)	e1 (mm)	e2 (mm)	L (mm)	L1 (mm)	L2 (mm)	d1 FM	d2 FM
225	140	6.9	4.3	98	50	37.5	IR-225 / IR-315	IR-225 / IR-315
225	160	6.9	4.9	96	48	37.5	IR-225 / IR-315	IR-225 / IR-315
225	200	6.9	6.2	87	40	38.5	IR-225 / IR-315	IR-225 / IR-315
250	90	7.7	2.8	98	54	26.0	IR315	IR225
250	110	7.7	3.4	98	44	28.5	IR315	IR-225 / IR-315
250	140	7.7	4.3	100	54	37.5	IR315	IR-225 / IR-315
250	160	7.7	4.9	100	54	37.5	IR315	IR-225 / IR-315
250	200	7.7	6.2	99	50	38.5	IR315	IR-225 / IR-315
250	225	7.7	6.9	88	40	38.5	IR315	IR-225 / IR-315
280	90	8.6	2.8	100	56	26.0	IR315	IR-225
280	110	8.6	3.4	106	56	28.5	IR315	IR-225 / IR-315
280	140	8.6	4.3	104	56	37.5	IR315	IR-225 / IR-315
280	160	8.6	4.9	104	56	37.5	IR315	IR-225 / IR-315
280	200	8.6	6.2	101	52	38.5	IR315	IR-225 / IR-315
280	225	8.6	6.9	99	50	38.5	IR315	IR-225 / IR-315
280	250	8.6	7.7	110	50	49.5	IR315	IR315
315	90	9.7	2.8	114	60	26.0	IR315	IR-225 / IR-315
315	110	9.7	3.4	115	60	28.5	IR315	IR-225 / IR-315
315	140	9.7	4.3	116	60	37.5	IR315	IR-225 / IR-315
315	160	9.7	4.9	116	60	37.5	IR315	IR-225 / IR-315
315	200	9.7	6.2	117	60	38.5	IR315	IR-225 / IR-315
315	225	9.7	6.9	117	60	38.5	IR315	IR-225 / IR-315
315	250	9.7	7.7	120	60	49.5	IR315	IR-315
315	280	9.7	8.6	120	60	49.5	IR315	IR-315



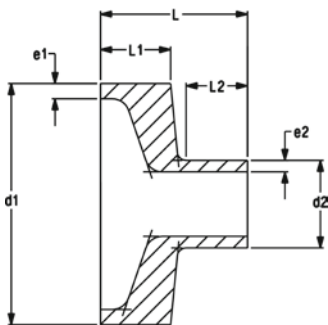
SYGEF Plus flush style reducer
SDR33/21 PN10
High Purity clean-room product ISO Class 5 (100)

Model:

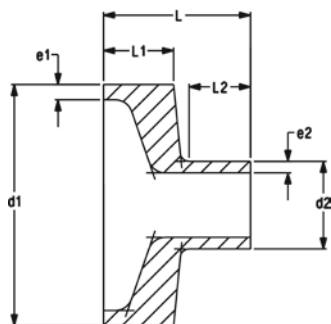
- Material: PVDF-HP
- Version: Machined, longer spigots possible on request
- Both spigots long enough for clamping on all possible IR-welding machines

Note:

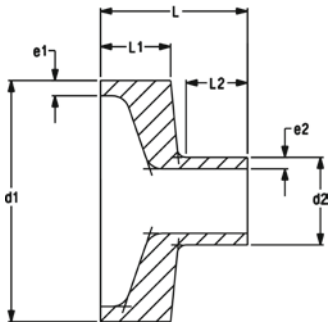
Further dimensions on request



d1 (mm)	d2 (mm)	SDR	PN (bar)	Code	Weight (kg)
90	20	33-21	10	735 903 190	0.180
90	25	33-21	10	735 903 191	0.177
90	32	33-21	10	735 903 192	0.177
90	40	33-21	10	735 903 193	0.170
90	50	33-21	10	735 903 194	0.160
90	63	33-21	10	735 903 195	0.150
90	75	33-21	10	735 903 196	0.120
110	20	33-21	10	735 903 000	0.280
110	25	33-21	10	735 903 001	0.278
110	32	33-21	10	735 903 002	0.278
110	40	33-21	10	735 903 003	0.269
110	50	33-21	10	735 903 004	0.255
110	63	33-21	10	735 903 005	0.240
110	75	33-21	10	735 903 006	0.250
110	90	33-21	10	735 903 007	0.220
140	20	33-21	10	735 903 008	0.590
140	25	33-21	10	735 903 009	0.590
140	32	33-21	10	735 903 010	0.590
140	40	33-21	10	735 903 011	0.560
140	50	33-21	10	735 903 012	0.550
140	63	33-21	10	735 903 013	0.530
140	75	33-21	10	735 903 014	0.530
140	90	33-21	10	735 903 015	0.480
140	110	33-21	10	735 903 016	0.420

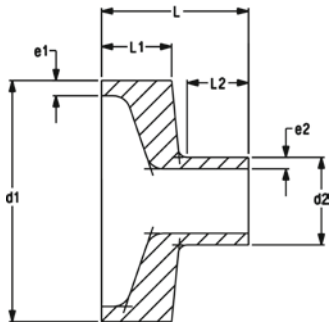


d1 (mm)	d2 (mm)	SDR	PN (bar)	Code	Weight (kg)
160	20	33-21	10	735 903 017	0.830
160	25	33-21	10	735 903 018	0.830
160	32	33-21	10	735 903 019	0.820
160	40	33-21	10	735 903 020	0.800
160	50	33-21	10	735 903 021	0.790
160	63	33-21	10	735 903 022	0.730
160	75	33-21	10	735 903 023	0.710
160	90	33-21	10	735 903 024	0.690
160	110	33-21	10	735 903 025	0.570
160	140	33-21	10	735 903 026	0.460
200	20	33-21	10	735 903 027	1.460
200	25	33-21	10	735 903 028	1.450
200	32	33-21	10	735 903 029	1.440
200	40	33-21	10	735 903 030	1.420
200	50	33-21	10	735 903 031	1.400
200	63	33-21	10	735 903 032	1.530
200	75	33-21	10	735 903 033	1.480
200	90	33-21	10	735 903 034	1.440
200	110	33-21	10	735 903 035	1.330
200	140	33-21	10	735 903 036	0.880
200	160	33-21	10	735 903 037	0.790
225	20	33-21	10	735 903 038	1.990
225	25	33-21	10	735 903 039	1.990
225	32	33-21	10	735 903 040	1.970
225	40	33-21	10	735 903 041	1.960
225	50	33-21	10	735 903 042	1.940
225	63	33-21	10	735 903 043	1.910
225	75	33-21	10	735 903 044	1.970
225	90	33-21	10	735 903 045	1.920
225	110	33-21	10	735 903 046	1.840
225	140	33-21	10	735 903 047	1.440
225	160	33-21	10	735 903 048	1.270
225	200	33-21	10	735 903 049	0.900
250	63	33-21	10	735 903 055	2.520
250	75	33-21	10	735 903 056	2.500
250	90	33-21	10	735 903 057	2.440
250	110	33-21	10	735 903 058	2.370
250	140	33-21	10	735 903 059	2.000
250	160	33-21	10	735 903 060	1.880
250	200	33-21	10	735 903 061	1.370
250	225	33-21	10	735 903 062	1.010
280	63	33-21	10	735 903 068	3.380
280	75	33-21	10	735 903 069	3.320
280	90	33-21	10	735 903 070	3.260
280	110	33-21	10	735 903 071	3.190
280	140	33-21	10	735 903 072	2.820
280	160	33-21	10	735 903 073	2.680
280	200	33-21	10	735 903 074	2.100
280	225	33-21	10	735 903 075	1.700
280	250	33-21	10	735 903 076	1.500
315	63	33-21	10	735 903 082	4.100
315	90	33-21	10	735 903 083	4.050
315	90	33-21	10	735 903 084	4.000
315	110	33-21	10	735 903 085	3.970
315	140	33-21	10	735 903 086	3.510
315	160	33-21	10	735 903 087	3.390
315	200	33-21	10	735 903 088	3.080
315	225	33-21	10	735 903 089	2.870
315	250	33-21	10	735 903 090	2.620
315	280	33-21	10	735 903 091	2.320



d1 (mm)	d2 (mm)	e1 (mm)	e2 (mm)	L (mm)	L1 (mm)	L2 (mm)	d1 FM	d2 FM
90	20	2.8	1.9	62	30.0	20.0	IR-110 / IR-225	IR-63 / IR-110
90	25	2.8	1.9	62	30.0	20.0	IR-110 / IR-225	IR-63 / IR-110
90	32	2.8	2.4	63	30.0	20.0	IR-110 / IR-225	IR-63 / IR-110
90	40	2.8	2.4	63	30.0	21.0	IR-110 / IR-225	IR-63 / IR-110
90	50	2.8	3.0	64	30.0	21.0	IR-110 / IR-225	IR-63 / IR-110
90	63	2.8	3.0	64	30.0	25.0	IR-110 / IR-225	IR-63 / IR-110 / IR-225
90	75	2.8	3.6	55	26.0	26.0	IR-110 / IR-225	IR-63 / IR-110
110	20	3.4	1.9	64	30.0	20.0	IR-110 / IR-225 / IR-315	IR-63 / IR-110
110	25	3.4	1.9	64	30.0	20.0	IR-110 / IR-225 / IR-315	IR-63 / IR-110
110	32	3.4	2.4	65	30.0	20.0	IR-110 / IR-225 / IR-315	IR-63 / IR-110
110	40	3.4	2.4	65	30.0	21.0	IR-110 / IR-225 / IR-315	IR-63 / IR-110
110	50	3.4	3.0	66	30.0	21.0	IR-110 / IR-225 / IR-315	IR-63 / IR-110
110	63	3.4	3.0	66	30.0	25.0	IR-110 / IR-225 / IR-315	IR-63 / IR-110 / IR-225
110	75	3.4	3.6	66	30.0	26.0	IR-110 / IR-225 / IR-315	IR-110 / IR-225
110	90	3.4	4.3	66	30.0	26.0	IR-110 / IR-225 / IR-315	IR-110 / IR-225
140	20	4.3	1.9	74	40.0	20.0	IR-225 / IR-315	IR-63 / IR-110
140	25	4.3	1.9	74	40.0	20.0	IR-225 / IR-315	IR-63 / IR-110
140	32	4.3	2.4	75	40.0	20.0	IR-225 / IR-315	IR-63 / IR-110
140	40	4.3	2.4	75	40.0	21.0	IR-225 / IR-315	IR-63 / IR-110
140	50	4.3	3.0	76	40.0	21.0	IR-225 / IR-315	IR-63 / IR-110
140	63	4.3	3.0	76	40.0	24.0	IR-225 / IR-315	IR-63 / IR-110 / IR-225
140	75	4.3	3.6	78	40.0	25.0	IR-225 / IR-315	IR-110 / IR-225
140	90	4.3	4.3	76	38.0	25.0	IR-225 / IR-315	IR-110 / IR-225
140	110	4.3	5.3	78	38.0	28.5	IR-225 / IR-315	IR-110 / IR-225 / IR-315
160	20	4.9	1.9	80	40.0	20.0	IR-225 / IR-315	IR-110
160	25	4.9	1.9	80	40.0	20.0	IR-225 / IR-315	IR-110
160	32	4.9	2.4	80	40.0	20.0	IR-225 / IR-315	IR-110
160	40	4.9	2.4	80	40.0	21.0	IR-225 / IR-315	IR-110
160	50	4.9	3.0	80	40.0	21.0	IR-225 / IR-315	IR-110
160	63	4.9	3.0	80	40.0	25.0	IR-225 / IR-315	IR-110 / IR-225
160	75	4.9	3.6	80	40.0	26.0	IR-225 / IR-315	IR-110 / IR-225
160	90	4.9	4.3	80	40.0	26.0	IR-225 / IR-315	IR-110 / IR-225
160	110	4.9	5.3	80	40.0	28.5	IR-225 / IR-315	IR-110 / IR-225 / IR-315
160	140	4.9	6.7	88	40.0	37.5	IR-225 / IR-315	IR-225 / IR-315
200	20	6.2	1.9	87	45.0	20.0	IR-225 / IR-315	IR-110
200	25	6.2	1.9	87	45.0	20.0	IR-225 / IR-315	IR-110
200	32	6.2	2.4	87	45.0	20.0	IR-225 / IR-315	IR-110
200	40	6.2	2.4	87	45.0	21.0	IR-225 / IR-315	IR-110
200	50	6.2	3.0	87	45.0	21.0	IR-225 / IR-315	IR-110
200	63	6.2	3.0	87	45.0	25.0	IR-225 / IR-315	IR-110 / IR-225
200	75	6.2	3.6	85	43.0	26.0	IR-225 / IR-315	IR-110 / IR-225
200	90	6.2	4.3	85	41.0	26.0	IR-225 / IR-315	IR-110 / IR-225
200	110	6.2	5.3	89	49.0	26.0	IR-225 / IR-315	IR-225 / IR-315
200	140	6.2	6.7	89	40.0	37.5	IR-225 / IR-315	IR-225 / IR-315
200	160	6.2	7.7	88	40.0	37.5	IR-225 / IR-315	IR-225 / IR-315
225	20	6.9	1.9	92	50.0	20.0	IR-225 / IR-315	IR-110
225	25	6.9	1.9	92	50.0	20.0	IR-225 / IR-315	IR-110
225	32	6.9	2.4	92	50.0	20.0	IR-225 / IR-315	IR-110
225	40	6.9	2.4	93	50.0	21.0	IR-225 / IR-315	IR-110
225	50	6.9	3.0	93	50.0	21.0	IR-225 / IR-315	IR-110
225	63	6.9	3.0	93	50.0	25.0	IR-225 / IR-315	IR-110 / IR-225
225	75	6.9	3.6	94	50.0	26.0	IR-225 / IR-315	IR-110 / IR-225
225	90	6.9	4.3	94	50.0	26.0	IR-225 / IR-315	IR-110 / IR-225
225	110	6.9	5.3	94	50.0	28.5	IR-225 / IR-315	IR-225 / IR-315
225	140	6.9	6.7	96	48.0	37.5	IR-225 / IR-315	IR-225 / IR-315
225	160	6.9	7.7	96	48.0	37.5	IR-225 / IR-315	IR-225 / IR-315
225	200	6.9	9.6	87	40.0	38.5	IR-225 / IR-315	IR-225 / IR-315
250	63	7.7	3.0	96	54.0	25.0	IR-315	IR-225
250	75	7.7	3.6	98	54.0	26.0	IR-315	IR-225
250	90	7.7	4.3	98	54.0	26.0	IR-315	IR-225
250	110	7.7	5.3	98	54.0	28.5	IR-315	IR-225 / IR-315
250	140	7.7	6.7	100	54.0	37.5	IR-315	IR-225 / IR-315
250	160	7.7	7.7	100	54.0	37.5	IR-315	IR-225 / IR-315

table continued on the next page



d1 (mm)	d2 (mm)	e1 (mm)	e2 (mm)	L (mm)	L1 (mm)	L2 (mm)	d1 FM	d2 FM
250	200	7.7	9.6	99	50.0	38.5	IR-315	IR-225 / IR-315
250	225	7.7	10.8	88	40.0	38.5	IR-315	IR-225 / IR-315
280	63	8.6	3.0	99	56.0	25.0	IR-315	IR-225
280	75	8.6	3.6	100	56.0	26.0	IR-315	IR-225
280	90	8.6	4.3	100	56.0	26.0	IR-315	IR-225
280	110	8.6	5.3	106	50.0	28.5	IR-315	IR-225 / IR-315
280	140	8.6	6.7	102	54.0	37.5	IR-315	IR-225 / IR-315
280	160	8.6	7.7	102	54.0	37.5	IR-315	IR-225 / IR-315
280	200	8.6	9.6	99	50.0	38.5	IR-315	IR-225 / IR-315
280	225	8.6	10.8	99	50.0	38.5	IR-315	IR-225 / IR-315
280	250	8.6	11.9	110	50.0	49.5	IR-315	IR-315
315	63	9.7	3.0	113	60.0	25.0	IR-315	IR-225
315	90	9.7	3.6	114	60.0	26.0	IR-315	IR-225
315	90	9.7	4.3	114	60.0	26.0	IR-315	IR-225
315	110	9.7	5.3	115	60.0	28.5	IR-315	IR-225 / IR-315
315	140	9.7	6.7	116	60.0	37.5	IR-315	IR-225 / IR-315
315	160	9.7	7.7	116	60.0	37.5	IR-315	IR-225 / IR-315
315	200	9.7	9.6	117	60.0	38.5	IR-315	IR-225 / IR-315
315	225	9.7	10.8	117	60.0	38.5	IR-315	IR-225 / IR-315
315	250	9.7	11.9	120	60.0	49.5	IR-315	IR-315
315	280	9.7	13.4	120	60.0	49.5	IR-315	IR-315



**SYGEF Plus flush style reducer
SDR21/PN16
High Purity clean-room product ISO Class 5 (100)**

Model:

- Material: PVDF-HP
- Version: Machined, longer spigots possible on request
- Both spigots long enough for clamping on all possible IR-welding machines

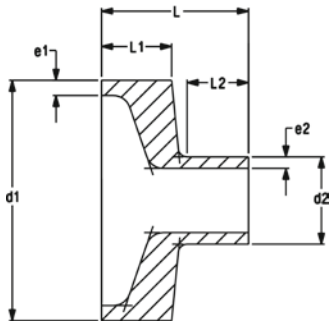
Note:

Further dimensions on request

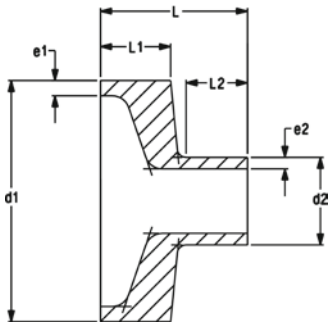
d1=110: not IR-315 A compatible, please request longer spigots

d40-20 to d110-90 also weldable on IR110

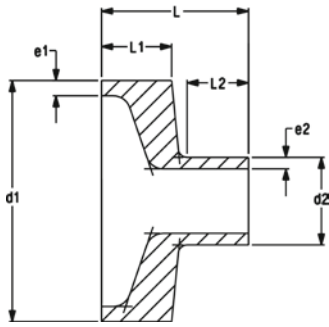
*Clamping on IR machine for welding both spigots, need to be done on d1



d1 (mm)	d2 (mm)	PN (bar)	Code	Weight (kg)
25	20	16	735 903 197	0.012
32	20	16	735 903 198	0.018
32	25	16	735 903 199	0.018
40	20	16	735 903 200	0.025
40	25	16	735 903 201	0.025
40	32	16	735 903 202	0.303
50	20	16	735 903 203	0.041
50	25	16	735 903 204	0.041
50	32	16	735 903 205	0.043
50	40	16	735 903 206	0.041
63	20	16	735 903 207	0.076
63	25	16	735 903 208	0.076
63	32	16	735 903 209	0.770
63	40	16	735 903 210	0.073
63	50	16	735 903 211	0.072
75	20	16	735 903 212	0.130
75	25	16	735 903 213	0.120
75	32	16	735 903 214	0.122
75	40	16	735 903 215	0.113
75	50	16	735 903 216	0.110
75	63	16	735 903 217	0.099
90	20	16	735 903 218	0.195
90	25	16	735 903 219	0.192
90	32	16	735 903 220	0.191



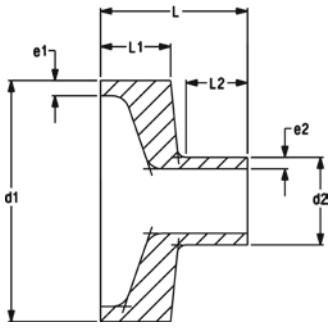
d1 (mm)	d2 (mm)	PN (bar)	Code	Weight (kg)
90	40	16	735 903 221	0.185
90	50	16	735 903 222	0.177
90	63	16	735 903 223	0.165
90	75	16	735 903 224	0.134
110	20	16	735 903 225	0.302
110	25	16	735 903 226	0.300
110	32	16	735 903 227	0.300
110	40	16	735 903 228	0.276
110	50	16	735 903 229	0.278
110	63	16	735 903 230	0.261
110	75	16	735 903 231	0.268
110	90	16	735 903 232	0.241
140	20	16	735 903 233	0.635
140	25	16	735 903 234	0.635
140	32	16	735 903 235	0.631
140	40	16	735 903 236	0.602
140	50	16	735 903 237	0.596
140	63	16	735 903 238	0.573
140	75	16	735 903 239	0.568
140	90	16	735 903 240	0.528
140	110	16	735 903 241	0.495
160	20	16	735 903 242	0.900
160	25	16	735 903 243	0.895
160	32	16	735 903 244	0.888
160	40	16	735 903 245	0.863
160	50	16	735 903 246	0.847
160	63	16	735 903 247	0.810
160	75	16	735 903 248	0.780
160	90	16	735 903 249	0.750
160	110	16	735 903 250	0.700
160	140	16	735 903 251	0.650
200	20	16	735 903 252	1.546
200	25	16	735 903 253	1.542
200	32	16	735 903 254	1.525
200	40	16	735 903 255	1.520
200	50	16	735 903 256	1.500
200	63	16	735 903 257	1.451
200	75	16	735 903 258	1.430
200	90	16	735 903 259	1.560
200	110	16	735 903 260	1.420
200	140	16	735 903 261	1.100
200	160	16	735 903 262	1.070
225	20	16	735 903 263	2.120
225	25	16	735 903 264	2.120
225	32	16	735 903 265	2.120
225	40	16	735 903 266	2.100
225	50	16	735 903 267	2.090
225	63	16	735 903 268	2.060
225	75	16	735 903 269	2.020
225	90	16	735 903 270	1.980
225	110	16	735 903 271	1.890
225	140	16	735 903 272	1.670
225	160	16	735 903 273	1.620
225	200	16	735 903 274	1.272
250	63	16	735 903 280	2.720
250	75	16	735 903 281	2.690
250	90	16	735 903 282	2.640
250	110	16	735 903 283	2.550
250	140	16	735 903 284	2.410
250	160	16	735 903 285	2.310
250	200	16	735 903 286	2.020
250	225	16	735 903 287	1.560
280	63	16	735 903 293	3.600



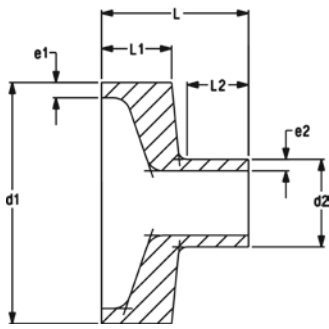
d1 (mm)	d2 (mm)	PN (bar)	Code	Weight (kg)
280	75	16	735 903 294	3.550
280	90	16	735 903 295	3.500
280	110	16	735 903 296	3.430
280	140	16	735 903 297	3.150
280	160	16	735 903 298	3.050
280	200	16	735 903 299	2.580
280	225	16	735 903 300	2.420
280	250	16	735 903 301	2.520
315	63	16	735 903 307	5.160
315	75	16	735 903 308	5.120
315	90	16	735 903 309	2.060
315	110	16	735 903 310	4.960
315	140	16	735 903 311	4.750
315	160	16	735 903 312	4.610
315	200	16	735 903 313	4.340
315	225	16	735 903 314	4.150
315	250	16	735 903 315	3.840
315	280	16	735 903 316	3.600

d1 (mm)	d2 (mm)	e1 (mm)	e2 (mm)	L (mm)	L1 (mm)	L2 (mm)	d1 FM	d2 FM
25	20	1.9	1.9	42	20.0	20.0	IR-63 / IR-110	IR-63 / IR-110
32	20	2.4	1.9	43	20.0	20.0	IR-63 / IR-110	IR-63 / IR-110
32	25	2.4	1.9	43	20.0	20.0	IR-63 / IR-110	IR-63 / IR-110
40	20	2.4	1.9	44	21.0	20.0	IR-63 / IR-110	IR-63 / IR-110
40	25	2.4	1.9	44	21.0	20.0	IR-63 / IR-110	IR-63 / IR-110
40	32	2.4	2.4	45	21.0	20.0	IR-63 / IR-110	IR-63 / IR-110
50	20	3.0	1.9	44	21.0	20.0	IR-63 / IR-110	IR-63 / IR-110
50	25	3.0	1.9	44	21.0	20.0	IR-63 / IR-110	IR-63 / IR-110
50	32	3.0	2.4	45	21.0	20.0	IR-63 / IR-110	IR-63 / IR-110
50	40	3.0	2.4	46	21.0	21.0	IR-63 / IR-110	IR-63 / IR-110
63	20	3.0	1.9	48	25.0	20.0	IR-63 / IR-110 / IR-225	IR-63 / IR-110
63	25	3.0	1.9	48	25.0	20.0	IR-63 / IR-110 / IR-225	IR-63 / IR-110
63	32	3.0	2.4	49	25.0	20.0	IR-63 / IR-110 / IR-225	IR-63 / IR-110
63	40	3.0	2.4	50	25.0	21.0	IR-63 / IR-110 / IR-225	IR-63 / IR-110
63	50	3.0	3	51	25.0	21.0	IR-63 / IR-110 / IR-225	IR-63 / IR-110
75	20	3.6	1.9	58	26.0	20.0	IR-110 / IR-225	IR-63 / IR-110
75	25	3.6	1.9	58	26.0	20.0	IR-110 / IR-225	IR-63 / IR-110
75	32	3.6	2.4	58	26.0	20.0	IR-110 / IR-225	IR-63 / IR-110
75	40	3.6	2.4	58	26.0	21.0	IR-110 / IR-225	IR-63 / IR-110
75	50	3.6	3	59	26.0	21.0	IR-110 / IR-225	IR-63 / IR-110
75	63	3.6	3	59	26.0	25.0	IR-110 / IR-225	IR-63 / IR-110 / IR-225
90	20	4.3	1.9	62	30.0	20.0	IR-110 / IR-225	IR-63 / IR-110
90	25	4.3	1.9	62	30.0	20.0	IR-110 / IR-225	IR-63 / IR-110
90	32	4.3	2.4	63	30.0	20.0	IR-110 / IR-225	IR-63 / IR-110
90	40	4.3	2.4	63	30.0	21.0	IR-110 / IR-225	IR-63 / IR-110
90	50	4.3	3	64	30.0	21.0	IR-110 / IR-225	IR-63 / IR-110
90	63	4.3	3	64	30.0	25.0	IR-110 / IR-225	IR-63 / IR-110 / IR-225
90	75	4.3	3.6	55	26.0	26.0	IR-110 / IR-225	IR-110 / IR-225
110	20	5.3	1.9	64	30.0	20.0	IR-110 / IR-225 / IR-315	IR-63 / IR-110
110	25	5.3	1.9	64	30.0	20.0	IR-110 / IR-225 / IR-315	IR-63 / IR-110
110	32	5.3	2.4	65	30.0	20.0	IR-110 / IR-225 / IR-315	IR-63 / IR-110
110	40	5.3	2.4	65	30.0	21.0	IR-110 / IR-225 / IR-315	IR-63 / IR-110
110	50	5.3	3	66	30.0	21.0	IR-110 / IR-225 / IR-315	IR-63 / IR-110
110	63	5.3	3	66	30.0	25.0	IR-110 / IR-225 / IR-315	IR-63 / IR-110 / IR-225
110	75	5.3	3.6	66	30.0	26.0	IR-110 / IR-225 / IR-315	IR-110 / IR-225
110	90	5.3	4.3	66	30.0	26.0	IR-110 / IR-225 / IR-315	IR-110 / IR-225
140	20	6.7	1.9	74	40.0	20.0	IR-225 / IR-315	IR-63 / IR-110
140	25	6.7	1.9	74	40.0	20.0	IR-225 / IR-315	IR-63 / IR-110
140	32	6.7	2.4	75	40.0	20.0	IR-225 / IR-315	IR-63 / IR-110
140	40	6.7	2.4	75	40.0	21.0	IR-225 / IR-315	IR-63 / IR-110
140	50	6.7	3	76	40.0	21.0	IR-225 / IR-315	IR-63 / IR-110
140	63	6.7	3	76	40.0	25.0	IR-225 / IR-315	IR-63 / IR-110 / IR-225

table continued on the next page



d_1 (mm)	d_2 (mm)	e_1 (mm)	e_2 (mm)	L (mm)	L_1 (mm)	L_2 (mm)	d_1 FM	d_2 FM
140	75	6.7	3.6	78	40.0	26.0	IR-225 / IR-315	IR-110 / IR-225
140	90	6.7	4.3	76	38.0	26.0	IR-225 / IR-315	IR-110 / IR-225
140	110	6.7	5.3	78	38.0	28.5	IR-225 / IR-315	IR-110 / IR-225 / IR-315
160	20	7.7	1.9	80	40.0	20.0	IR-225 / IR-315	IR-110
160	25	7.7	1.9	80	40.0	20.0	IR-225 / IR-315	IR-110
160	32	7.7	2.4	80	40.0	20.0	IR-225 / IR-315	IR-110
160	40	7.7	2.4	80	40.0	21.0	IR-225 / IR-315	IR-110
160	50	7.7	3	80	40.0	21.0	IR-225 / IR-315	IR-110
160	63	7.7	3	80	40.0	25.0	IR-225 / IR-315	IR110 / IR-225
160	75	7.7	3.6	80	40.0	26.0	IR-225 / IR-315	IR110 / IR-225
160	90	7.7	4.3	80	40.0	26.0	IR-225 / IR-315	IR110 / IR-225
160	110	7.7	5.3	80	40.0	28.5	IR-225 / IR-315	IR-110 / IR-225 / IR-315
160	140	7.7	6.7	88	40.0	37.5	IR-225 / IR-315	IR-225 / IR-315
200	20	9.6	1.9	87	45.0	20.0	IR-225 / IR-315	IR-110
200	25	9.6	1.9	87	45.0	20.0	IR-225 / IR-315	IR-110
200	32	9.6	2.4	87	45.0	20.0	IR-225 / IR-315	IR-110
200	40	9.6	2.4	87	45.0	21.0	IR-225 / IR-315	IR-110
200	50	9.6	3	87	42.0	21.0	IR-225 / IR-315	IR-110
200	63	9.6	3	87	45.0	25.0	IR-225 / IR-315	IR-110 / IR-225
200	75	9.6	3.6	88	45.0	26.0	IR-225 / IR-315	IR-110 / IR-225
200	90	9.6	4.3	91	50.0	26.0	IR-225 / IR-315	IR-110 / IR-225
200	110	9.6	5.3	89	49.0	28.5	IR-225 / IR-315	IR-225 / IR-315
200	140	9.6	6.7	59	40.0	37.5	IR-225 / IR-315	IR-225 / IR-315
200	160	9.6	7.7	88	40.0	37.5	IR-225 / IR-315	IR-225 / IR-315
225	20	10.8	1.9	92	50.0	20.0	IR-225 / IR-315	IR-110
225	25	10.8	1.9	92	50.0	20.0	IR-225 / IR-315	IR-110
225	32	10.8	2.4	92	50.0	20.0	IR-225 / IR-315	IR-110
225	40	10.8	2.4	93	50.0	21.0	IR-225 / IR-315	IR-110
225	50	10.8	3	93	50.0	21.0	IR-225 / IR-315	IR-110
225	63	10.8	3	93	50.0	25.0	IR-225 / IR-315	IR-110 / IR-225
225	75	10.8	3.6	94	50.0	26.0	IR-225 / IR-315	IR-110 / IR-225
225	90	10.8	4.3	94	50.0	26.0	IR-225 / IR-315	IR-110 / IR-225
225	110	10.8	5.3	94	50.0	28.5	IR-225 / IR-315	IR-225 / IR-315
225	140	10.8	6.7	96	48.0	37.5	IR-225 / IR-315	IR-225 / IR-315
225	160	10.8	7.7	96	48.0	37.5	IR-225 / IR-315	IR-225 / IR-315
225	200	10.8	9.6	87	40.0	38.5	IR-225 / IR-315	IR-225 / IR-315
250	63	11.9	3	96	54.0	25.0	IR-315	IR-225
250	75	11.9	3.6	98	54.0	26.0	IR-315	IR-225
250	90	11.9	4.3	98	54.0	26.0	IR-315	IR-225
250	110	11.9	5.3	98	54.0	28.5	IR-315	IR-225 / IR-315
250	140	11.9	6.7	100	54.0	37.5	IR-315	IR-225 / IR-315
250	160	11.9	7.7	100	54.0	37.5	IR-315	IR-225 / IR-315
250	200	11.9	9.6	99	50.0	38.5	IR-315	IR-225 / IR-315
250	225	11.9	10.8	88	40.0	38.5	IR-315	IR-225 / IR-315
280	63	13.4	3	99	56.0	25.0	IR-315	IR-225
280	75	13.4	3.6	100	56.0	26.0	IR-315	IR-225
280	90	13.4	4.3	100	56.0	26.0	IR-315	IR-225
280	110	13.4	5.3	106	56.0	28.5	IR-315	IR-225 / IR-315
280	140	13.4	6.7	102	56.0	37.5	IR-315	IR-225 / IR-315
280	160	13.4	7.7	102	56.0	37.5	IR-315	IR-225 / IR-315
280	200	13.4	9.6	99	50.0	38.5	IR-315	IR-225 / IR-315
280	225	13.4	10.8	99	50.0	38.5	IR-315	IR-225 / IR-315
280	250	13.4	11.9	110	50.0	49.5	IR-315	IR-315
315	63	15.0	3	113	60.0	25.0	IR-315	IR-225
315	75	15.0	3.6	114	60.0	26.0	IR-315	IR-225
315	90	15.0	4.3	114	60.0	26.0	IR-315	IR-225
315	110	15.0	5.3	115	60.0	26.0	IR-315	IR-225 / IR-315
315	140	15.0	6.7	116	60.0	37.5	IR-315	IR-225 / IR-315
315	160	15.0	7.7	116	60.0	37.5	IR-315	IR-225 / IR-315



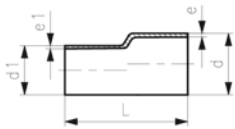
d1	d2	e1	e2	L	L1	L2	d1 FM	d2 FM
(mm)	(mm)	(mm)	(mm)	(mm)	(mm)	(mm)		
315	200	15.0	9.6	117	60.0	38.5	IR-315	IR-225 / IR-315
315	225	15.0	10.8	117	60.0	38.5	IR-315	IR-225 / IR-315
315	250	15.0	11.9	120	60.0	49.5	IR-315	IR-315
315	280	15.0	13.4	120	60.0	49.5	IR-315	IR-315



SYGEF Plus reducing bush eccentric
SDR21/PN16
High Purity clean-room product ISO Class 5 (100)

Model:

- Material: PVDF-HP



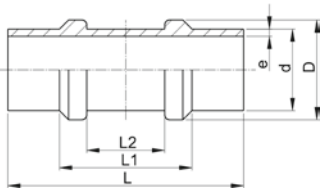
d	d1	PN	FM	Code	Weight	L	e	e1
(mm)	(mm)	(bar)			(kg)	(mm)	(mm)	(mm)
25	20	16	BCF, IR	735 938 737	0.020	80	1.9	1.9
32	20	16	BCF, IR	735 938 742	0.027	80	2.4	1.9
32	25	16	BCF, IR	735 938 741	0.030	80	2.4	1.9
40	20	16	BCF, IR	735 938 748	0.051	100	2.4	1.9
40	25	16	BCF, IR	735 938 747	0.043	100	2.4	1.9
40	32	16	BCF, IR	735 938 746	0.050	100	2.4	2.4
50	32	16	BCF, IR	735 938 753	0.068	100	3.0	2.4
50	40	16	BCF, IR	735 938 752	0.074	100	3.0	2.4
63	32	16	BCF, IR	735 938 760	0.084	100	3.0	2.4
63	40	16	BCF, IR	735 938 759	0.106	100	3.0	2.4
63	50	16	BCF, IR	735 938 758	0.097	100	3.0	3.0



SYGEF Plus Fixpoint fitting
SDR21/PN16
High Purity clean-room product ISO Class 5

Model:

- Material: PVDF-HP



d	PN	FM	Code	Weight	D	L	L1	L2	e
(mm)	(bar)			(kg)	(mm)	(mm)	(mm)	(mm)	(mm)
20	16	BCF, IR	735 918 656	0.027	28	100	53	32	1.9
25	16	BCF, IR	735 918 657	0.036	33	100	53	32	1.9
32	16	BCF, IR	735 918 658	0.054	40	100	53	32	2.4
40	16	BCF, IR	735 918 659	0.067	48	100	53	32	2.4
50	16	BCF, IR	735 918 660	0.125	58	100	53	32	3.0
63	16	BCF, IR	735 918 661	0.131	71	105	53	32	3.0
75	16	BCF, IR	735 918 662	0.252	87	125	70	40	3.6
90	16	BCF, IR	735 918 663	0.370	105	127	70	40	4.3
110	16	BCF, IR	735 918 664	0.549	127	127	70	40	5.3



SYGEF Plus end cap

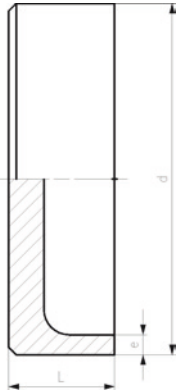
SDR33/PN10

High Purity clean-room product ISO Class 5 (100)

Type B: machined, incl. facing mark (must not be exceeded)

Model:

- Material: PVDF-HP
- Machined version, incl. facing mark (must not be exceeded)



d (mm)	PN (bar)	FM	Code	L (mm)	e (mm)
90	10	IR	735 968 238	30	2.8
110	10	IR	735 968 239	45	3.4
125	10	IR	735 968 240	45	3.9
140	10	IR	735 968 241	45	4.3
160	10	IR	735 968 242	46	4.9
200	10	IR	735 968 244	54	6.2
225	10	IR	735 968 245	57	6.9



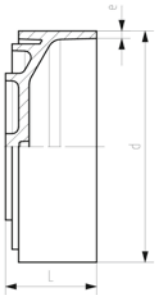
SYGEF Plus End cap

SDR33/PN10

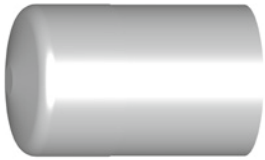
High Purity clean-room product ISO Class 5 (100)

Model:

- Material: PVDF-HP



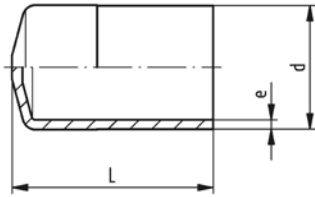
d (mm)	PN (bar)	FM	Code	L (mm)	e (mm)
250	10	IR	735 968 546	114	7.7
280	10	IR	735 968 547	115	8.6
315	10	IR	735 968 548	130	9.7
355	10	IR	735 968 549	198	10.9
400	10	IR	735 968 550	196	12.3



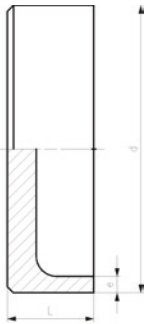
SYGEF Plus End cap
SDR21/PN16
High Purity clean-room product ISO Class 5 (100)

Model:

- Material: PVDF-HP
- Type A: injection molded
- Type B: machined, incl. facing mark (must not be exceeded)



Type A



Type B

d (mm)	PN (bar)	FM	Type	Code	L (mm)	e (mm)
20	16	BCF, IR	A	735 968 106	47	1.9
25	16	BCF, IR	A	735 968 107	47	1.9
32	16	BCF, IR	A	735 968 108	52	2.4
40	16	IR	B	735 968 334	30	2.4
50	16	IR	B	735 968 335	30	3.0
63	16	IR	B	735 968 336	30	3.0
75	16	IR	B	735 968 337	30	3.6
90	16	IR	B	735 968 338	30	4.3
110	16	IR	B	735 968 339	45	5.3
140	16	IR	B	735 968 341	45	6.7
160	16	IR	B	735 968 342	46	7.7
200	16	IR	B	735 968 344	54	9.6
225	16	IR	B	735 968 345	57	10.8

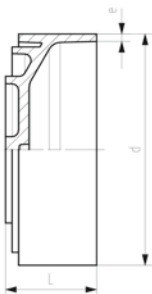


SYGEF Plus End cap
SDR21/PN16
High Purity clean-room product ISO Class 5 (100)

Model:

- Material: PVDF-HP

d (mm)	PN (bar)	FM	Code	Weight (kg)	L (mm)	e (mm)
250	16	IR	735 968 046	2.422	122	11.9
280	16	IR	735 968 047	3.062	122	13.4
315	16	IR	735 968 048	4.132	124	15.0



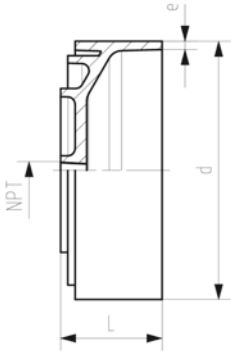


SYGEF Plus End cap
SDR33/PN10 With female thread
High Purity clean-room product ISO Class 5 (100)

Model:

- Material: PVDF-HP

d (mm)	Thread Type	Size (inch)	PN (bar)	FM	Code	L (mm)	e (mm)
250	NPT	½	10	IR	735 968 625	114	7.7
280	NPT	½	10	IR	735 968 630	115	8.6
315	NPT	½	10	IR	735 968 635	130	9.7

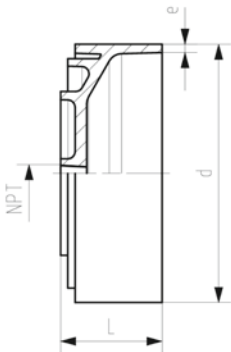


SYGEF Plus End cap
SDR21/PN16 With female thread
High Purity clean-room product ISO Class 5 (100)

Model:

- Material: PVDF-HP

d (mm)	Thread Type	Size (inch)	PN (bar)	FM	Code	Weight (kg)	L (mm)	e (mm)
250	NPT	½	16	IR	735 968 425	2.413	114	11.9
280	NPT	½	16	IR	735 968 430	3.104	115	13.4
315	NPT	½	16	IR	735 968 435	4.121	130	15.0



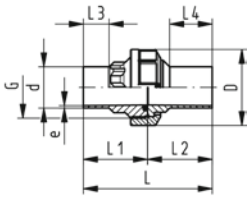
Butt fusion unions and o-rings



SYGEF Plus union (FKM white)
SDR21/PN16
Gap filling O-ring positioning
High Purity clean-room product ISO Class 5 (1)

Model:

- Material: PVDF-HP
- gap filling O-ring positioning
- FDA compliant
- d75, d90 and d110 with buttress shaped thread
- Please see installation instruction



d (mm)	PN (bar)	FM	Code	Weight (kg)
20	16	BCF, IR	735 528 626	0.082
25	16	BCF, IR	735 528 627	0.123
32	16	BCF, IR	735 528 628	0.166
40	16	BCF, IR	735 528 629	0.263
50	16	BCF, IR	735 528 630	0.372
63	16	BCF, IR	735 528 631	0.463
75	16	BCF, IR	735 528 637	0.740
90	16	BCF, IR	735 528 638	0.798
110	16	BCF, IR	735 528 639	1.020

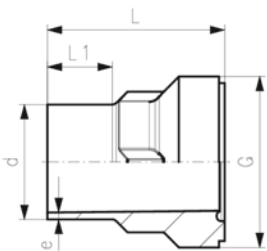
d (mm)	G (kierre R/ Rp BS) (inch)	L (mm)	L1 (mm)	L2 (mm)	L3 (mm)	L4 (mm)	D (mm)	e (mm)
20	1	106	53	53	25	37	43	1.9
25	1 1/4	112	56	56	25	38	53	1.9
32	1 1/2	118	59	59	25	40	60	2.4
40	2	124	62	62	25	41	74	2.4
50	2 1/4	130	65	65	25	43	82	3.0
63	2 3/4	136	68	68	25	44	100	3.0
75	S 107.5 x 3.6	132	66	66	24	34	133	3.6
90	S 107.5 x 3.6	130	65	65	24	48	133	4.3
110	S 127.5 x 3.6	130	65	65	25	45	155	5.3



SYGEF Plus union bush
SDR21/PN16
High Purity clean-room product ISO Class 5 (100)

Model:

- Material: PVDF-HP
- Suitable for SYGEF Plus union butt fusion
- d75, d90 and d110 with buttress shaped thread



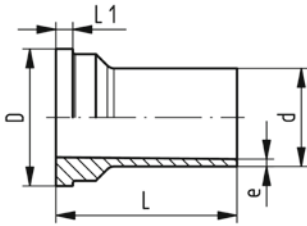
d (mm)	PN (bar)	FM	Code	Weight (kg)	G (inch)	L (mm)	L1 (mm)	e (mm)
20	16	BCF, IR	735 648 626	0.024	1	53	25	1.9
25	16	BCF, IR	735 648 627	0.038	1 1/4	56	25	1.9
32	16	BCF, IR	735 648 628	0.056	1 1/2	59	25	2.4
40	16	BCF, IR	735 648 629	0.082	2	62	25	2.4
50	16	BCF, IR	735 648 630	0.113	2 1/4	65	25	3.0
63	16	BCF, IR	735 648 631	0.168	2 3/4	68	25	3.0
75	16	BCF, IR	735 648 637	0.261	S 107.5 x 3.6	66	24	3.6
90	16	BCF, IR	735 648 638	0.258	S 107.5 x 3.6	65	24	4.3
110	16	BCF, IR	735 648 639	0.343	S 127.5 x 3.6	65	25	5.3



SYGEF Plus union end
SDR21/PN16
High Purity clean-room product ISO Class 5 (100)

Model:

- Suitable for vortex sensor
- Material: PVDF-HP
- Suitable for SYGEF Plus union butt fusion
- Suitable for diaphragm valves type 314 and 514



d (mm)	PN (bar)	FM	Code	Weight (kg)	L (mm)	L1 (mm)	D (mm)	e (mm)
20	16	BCF, IR	735 608 626	0.020	53	5	30	1.9
25	16	BCF, IR	735 608 627	0.031	56	5	39	1.9
32	16	BCF, IR	735 608 628	0.044	59	6	45	2.4
40	16	BCF, IR	735 608 629	0.069	62	6	57	2.4
50	16	BCF, IR	735 608 630	0.083	65	7	63	3.0
63	16	BCF, IR	735 608 631	0.126	68	8	78	3.0
75	16	BCF, IR	735 608 637	0.194	66	9	101	3.6
90	16	BCF, IR	735 608 638	0.189	65	9	101	4.3
110	16	BCF, IR	735 608 639	0.264	65	10	121	5.3



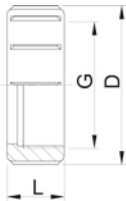
SYGEF Union nut

Model:

- Material: PVDF
- d75, d90 and d100 with buttress shaped thread
 *just for variable area flow meter

Note:

For the dimensions d75-110 please see instructions for the installation



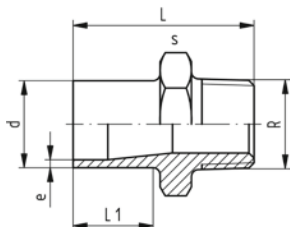
d (mm)	FM	PN (bar)	Code	Weight (kg)	L (mm)	D (mm)	G (inch)
16	SF/BF	16	735 690 405	0.011	21	35	¾
20	SF/BF	16	735 690 406	0.024	22	43	1
25	SF/BF	16	735 690 407	0.036	24	53	1 ¼
32	SF/BF	16	735 690 408	0.048	26	60	1 ½
40	SF/BF	16	735 690 409	0.074	29	74	2
50	SF/BF	16	735 690 410	0.106	33	82	2 ¼
63	SF/BF	16	735 690 411	0.001	35	100	2 ¾
75			198 806 422	0.337			
75 - 90	BF	16	735 690 422	0.289	40	133	
110	BF	16	735 690 423	0.403	42	155	



O-ring

d (mm)	Size (inch)	DN (mm)	EPDM Code
20	¾	15	748 410 006
25	1	20	748 410 007
32	1 ¼	25	748 410 008
40	1 ½	32	748 410 009
50	2	40	748 410 010
63	2 ½	50	748 410 011

Butt fusion transition fittings

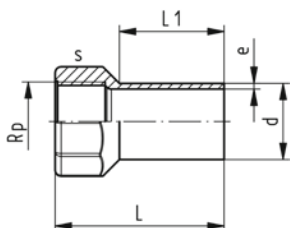


SYGEF Plus Adaptor nipple With male thread R SDR21/PN16 High Purity clean-room product ISO Class 5 (100)

Model:

- Material: PVDF-HP
- With taper male thread
- Connection to plastic thread only
- Do not use thread sealing pastes that are harmful to PVDF
- Avoid stresses when installing and large changes in temperature

d (mm)	Thread Type	Size (inch)	PN (bar)	FM	Code	Weight (kg)	L (mm)	L1 (mm)	s (mm)	e (mm)
20	R	½	16	BCF, IR	735 910 706	0.039	53	28	32	1.9
25	R	¾	16	BCF, IR	735 910 707	0.021	55	28	36	1.9
32	R	1	16	BCF, IR	735 910 708	0.034	57	28	46	2.4
40	R	1 ¼	16	BCF, IR	735 910 709	0.058	60	28	55	2.4
50	R	1 ½	16	BCF, IR	735 910 710	0.087	63	28	65	3.0
63	R	2	16	BCF, IR	735 910 711	0.118	69	29	75	3.0



SYGEF Plus Adaptor socket with female thread Rp SDR21/PN16 High Purity clean-room product ISO Class 5 (100)

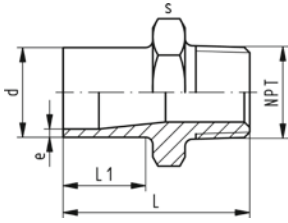
Model:

- Material: PVDF-HP
- With butt fusion spigot and parallel female thread Rp
- Avoid stresses when installing and large changes in temperature
- Connection to plastic thread only
- Do not use thread sealing pastes that are harmful to PVDF

Note:

* Please keep strictly to the GF internal installation preferences

d (mm)	Thread Type	Size (inch)	PN (bar)	FM	Code	Weight (kg)	L (mm)	L1 (mm)	s (mm)	e (mm)	
20	Rp	¾	16	BCF, IR	735 910 785	0.030	54	30	32	1.9	
20	Rp	½	16	BCF, IR	735 910 786	0.026	54	30	32	1.9	
25	Rp	¾	16	BCF, IR	735 910 787	0.032	58	30	38	1.9	
32	Rp	1	16	BCF, IR	735 910 788	0.065	63	30	48	2.4	
40	Rp	1 ¼	16	BCF, IR	735 910 789	0.092	67	30	58	2.4	
50	Rp	1 ½	16	BCF, IR	735 910 790	0.108	67	30	65	3.0	
*	63	Rp	2	16	BCF, IR	735 910 791	0.195	73	30	80	3.0

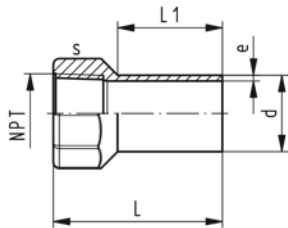
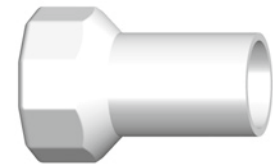


**SYGEF Plus Adaptor nipple with male thread NPT
SDR21/PN16
High Purity clean-room product ISO Class 5 (100)**

Model:

- Material: PVDF-HP
- With taper male thread
- Connection to plastic thread only
- Do not use thread sealing pastes that are harmful to PVDF
- Avoid stresses when installing and large changes in temperature

d (mm)	Thread Type	Size (inch)	PN (bar)	FM	Code	Weight (kg)	L (mm)	L1 (mm)	s (mm)	e (mm)
20	NPT	½	16	BCF, IR	735 914 306	0.025	53	28	32	1.9
25	NPT	¾	16	BCF, IR	735 914 307	0.035	55	28	36	1.9
32	NPT	1	16	BCF, IR	735 914 308	0.053	57	28	46	2.4
40	NPT	1 ¼	16	BCF, IR	735 914 309	0.077	60	28	55	2.4
50	NPT	1 ½	16	BCF, IR	735 914 310	0.134	63	28	65	3.0
63	NPT	2	16	BCF, IR	735 914 311	0.119	69	29	75	3.0



**SYGEF Plus Adaptor socket with female thread NPT
SDR21/PN16
High Purity clean-room product ISO Class 5 (100)**

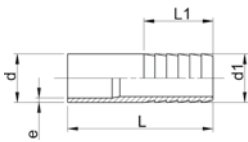
Model:

- Material: PVDF-HP
- With butt fusion spigot and taper female thread NPT
- Avoid stresses when installing and large changes in temperature
- Connection to plastic thread only
- Do not use thread sealing pastes that are harmful to PVDF

Note:

* Please keep strictly to the GF internal installation preferences

d (mm)	Thread Type	Size (inch)	PN (bar)	FM	Code	Weight (kg)	L (mm)	L1 (mm)	s (mm)	e (mm)	
20	NPT	¾	16	BCF, IR	735 914 785	0.029	54	30	32	1.9	
20	NPT	½	16	BCF, IR	735 914 786	0.027	54	30	32	1.9	
25	NPT	¾	16	BCF, IR	735 914 787	0.033	58	30	38	1.9	
32	NPT	1	16	BCF, IR	735 914 788	0.066	63	30	48	2.4	
40	NPT	1 ¼	16	BCF, IR	735 914 789	0.085	67	30	58	2.4	
50	NPT	1 ½	16	BCF, IR	735 914 790	0.108	67	30	65	3.0	
*	63	NPT	2	16	BCF, IR	735 914 791	0.190	73	30	80	3.0

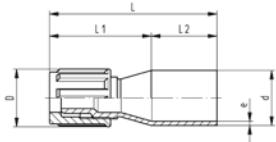


**SYGEF Plus Hose adapter
SDR21/PN16
High Purity clean-room product ISO Class 5 (100)**

Model:

- Material: PVDF-HP
- With butt fusion spigot and parallel hose connection.

d (mm)	d1 (mm)	PN (bar)	FM	Code	Weight (kg)	L (mm)	L1 (mm)	e (mm)
20	20	16	BCF, IR	735 968 731	0.015	64	27	1.9
25	25	16	BCF, IR	735 968 732	0.024	75	36	1.9
32	32	16	BCF, IR	735 968 733	0.042	82	36	2.4
40	40	16	BCF, IR	735 968 734	0.063	84	42	2.4
50	50	16	BCF, IR	735 968 735	0.150	90	48	3.0
63	60	16	BCF, IR	735 968 736	0.002	100	50	3.0



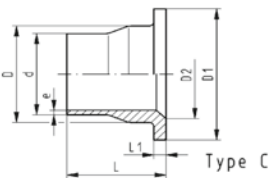
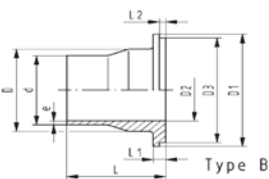
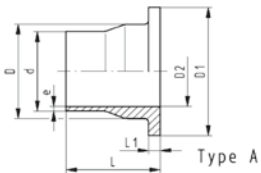
SYGEF Plus Flare transition fitting
PN10
High Purity clean-room product ISO Class 5 (100)

Model:

- All articles can be welded to SYGEF SDR21/PN16 pipes and fittings
- Material: PVDF-HP

d	tube size	PN	FM	Code	Weight	L	L1	L2	D	e
(mm)	(inch)	(bar)			(kg)	(mm)	(mm)	(mm)	(mm)	(mm)
20	¾	10	BCF, IR	735 598 430	0.028	75	45	30	21	1.9
20	¾	10	BCF, IR	735 598 431	0.022	76	46	30	23	1.9
20	½	10	BCF, IR	735 598 432	0.034	77	47	30	26	1.9
20	¾	10	BCF, IR	735 598 433	0.043	78	48	30	34	1.9
25	¾	10	BCF, IR	735 598 435	0.033	75	45	30	21	1.9
25	¾	10	BCF, IR	735 598 436	0.025	76	46	30	23	1.9
25	½	10	BCF, IR	735 598 437	0.028	77	47	30	26	1.9
25	¾	10	BCF, IR	735 598 438	0.050	78	48	30	34	1.9
25	1	10	BCF, IR	735 598 439	0.102	87	57	30	46	1.9
32	½	10	BCF, IR	735 598 442	0.036	77	47	30	26	2.4
32	¾	10	BCF, IR	735 598 443	0.048	78	48	30	34	2.4
32	1	10	BCF, IR	735 598 444	0.107	87	57	30	46	2.4

Butt fusion flange adaptors, flanges and gaskets



SYGEF Plus flange adaptor jointing face serrated
SDR33/PN10
High Purity clean-room product ISO Class 5 (100)

Model:

- Material: PVDF-HP

d	DN	PN	FM	Type	Code	Weight
(mm)	(mm)	(bar)				(kg)
90	80	10	BCF, IR	B	735 798 888	0.361
110	100	10	BCF, IR	A	735 798 889	0.471
125	100	10	IR	A	735 798 590	0.515
140	125	10	IR	A	735 798 891	0.738
160	150	10	IR	C	735 798 892	0.929
200	200	10	IR	C	735 798 894	1.704
225	200	10	IR	A	735 798 895	1.603
250	250	10	IR	C	735 798 596	2.730
280	250	10	IR	A	735 798 597	2.715
315	300	10	IR	C	735 798 598	3.657
355	350	10	IR	A	735 798 549	6.572
400	400	10	IR	C	735 798 550	7.970

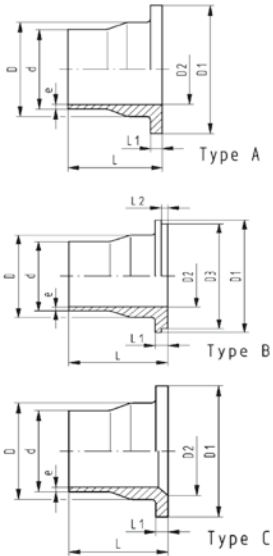
d	L	L1	L2	D	D1	D2	D3	e
(mm)	(mm)	(mm)	(mm)	(mm)	(mm)	(mm)	(mm)	(mm)
90	81	12	4	105	138	78	133	2.8
110	81	13		125	158	100		3.4
125	82	14		132	158	114		3.9
140	90	16		155	188	127		4.3
160	93	17		175	212	151		4.9
200	102	22		232	268	207		6.2
225	102	22		235	268	207		6.9
250	120	22		285	320	249		7.7
280	120	22		291	320	249		8.6
315	120	22		335	370	300		9.7
355	170	30		373	430	330		10.9
400	175	32		427	482	396		12.3



**SYGEF Plus Flange adaptor with jointing face serrated
SDR21/PN16
High Purity clean-room product Class 5 (100)**

Model:

- Material: PVDF-HP
- For dimensions with no special ANSI code, the ISO code is suitable/ identical to ANSI



d (mm)	DN (mm)	PN (bar)	FM	Type	Standard	Code	Weight (kg)
20	15	16	BCF, IR	A	ISO	735 798 831	0.029
25	20	16	BCF, IR	B	ISO	735 798 832	0.044
25	20	16	BCF, IR	A	ANSI	735 798 882	0.043
32	25	16	BCF, IR	B	ISO	735 798 833	0.070
32	25	16	BCF, IR	A	ANSI	735 798 883	0.067
40	32	16	BCF, IR	B	ISO	735 798 834	0.096
40	32	16	BCF, IR	A	ANSI	735 798 884	0.089
50	40	16	BCF, IR	B	ISO	735 798 835	0.136
50	40	16	BCF, IR	A	ANSI	735 798 885	0.130
63	50	16	BCF, IR	A	ISO	735 798 836	0.198
75	65	16	BCF, IR	A	ISO	735 798 837	0.311
90	80	16	BCF, IR	B	ISO	735 798 838	0.387
90	80	16	BCF, IR	A	ANSI	735 798 886	0.377
110	100	16	BCF, IR	C	ISO	735 798 839	0.555
140	125	16	IR	C	ISO	735 798 841	0.887
160	150	16	IR	C	ISO	735 798 842	1.171
200	200	16	IR	C	ISO	735 798 844	2.139
225	200	16	IR	C	ISO	735 798 845	2.064
250	250	16	IR	C	ISO	735 798 846	3.658
280	250	16	IR	C	ISO	735 798 847	3.586
315	300	16	IR	C	ISO	735 798 848	5.028

d (mm)	L (mm)	L1 (mm)	L2 (mm)	D (mm)	D1 (mm)	D2 (mm)	D3 (mm)	e (mm)
20	54	6		26	45	15		1.9
25	56	7	4	32	58	20	54	1.9
25	56	7		32	54	20		1.9
32	58	7	4	40	68	26	63	2.4
32	58	7		40	63	26		2.4
40	68	8	4	49	78	34	73	2.4
40	68	8		49	73	34		2.4
50	69	8	4	60	88	43	82	3.0
50	69	8		60	82	43		3.0
63	72	9		75	102	56		3.0
75	80	10		89	122	66		3.6
90	81	12	4	105	138	78	133	4.3
90	81	12		105	133	78		4.3
110	81	13		125	158	100		5.3
140	90	16		155	188	127		6.7
160	93	17		175	212	151		7.7
200	102	22		232	268	207		9.6
225	102	22		235	268	207		10.8
250	122	25		285	320	249		11.9
280	122	25		291	320	249		13.4
315	124	28		335	370	300		15.0

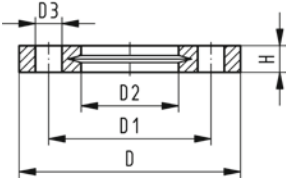


Flanges PP-V (full plastic)

Model:

- Full-plastic flange PP-GF (30 % glass-fibre reinforced)
- Metric: ISO 7005, EN 1092, ISO 9624
- ASME: ANSI/ASME B 16.5 class 150, ASTM D2024, BS 1560, BS EN 1759
- Special flange adapter ANSI for d25 - d50 and d90 required

AL: number of holes



d (mm)	DN (mm)	d (inch)	PN (bar)	Standard	Bolt / circle	Design	Code	Weight (kg)
20	15		16	Metric	PN10	Butt/Socket	727 700 406	0.093
25	20		16	Metric	PN10	Butt/Socket	727 700 407	0.120
32	25		16	Metric	PN10	Butt/Socket	727 700 408	0.151
40	32		16	Metric	PN10	Butt/Socket	727 700 409	0.244
50	40		16	Metric	PN10	Butt/Socket	727 700 410	0.297
63	50		16	Metric	PN10	Butt/Socket	727 700 411	0.362
75	65		16	Metric	PN10	Butt/Socket	727 700 412	0.487
90	80		16	Metric	PN10	Butt	727 700 513	0.544
110	100		16	Metric	PN10	Butt	727 700 514	0.643
125	100		16	Metric	PN10	Butt	727 700 515	0.635
140	125		16	Metric	PN10	Butt	727 700 516	0.842
160	150	6	16	Metric/ASME	PN10/ class 150	Butt	727 700 517	1.200
180	150		16	Metric/ASME	PN10/ Class 150	Butt	727 700 518	1.200
200	200	8	16	Metric/ASME	PN10/ class 150	Butt	727 700 519	1.400
225	200	8	16	Metric/ASME	PN10/ class 150	Butt	727 700 520	1.400
250	250		10	Metric	PN10	Butt	727 700 521	2.052
280	250		10	Metric	PN10	Butt	727 700 522	1.700
315	300		10	Metric	PN10	Butt	727 700 523	2.400
355	350		10	Metric	PN10	Butt	727 700 524	4.440
400	400		10	Metric	PN10	Butt	727 700 525	5.624

d (mm)	D (mm)	D1 (mm)	D2 (mm)	D3 (mm)	H max. (mm)	AL	SC
20	95	65	28	14	16	4	M12
25	105	75	34	14	17	4	M12
32	115	85	42	14	18	4	M12
40	140	100	51	18	20	4	M16
50	150	110	62	18	22	4	M16
63	165	125	78	18	24	4	M16
75	185	145	92	18	26	4	M16
90	200	160	108	18	27	8	M16
110	220	180	128	18	28	8	M16
125	220	180	135	18	28	8	M16
140	250	210	158	18	30	8	M16
160	285	240	178	22	32	8	M20
180	285	240	188	22	32	8	M20
200	340	297	235	22	34	8	M20
225	340	297	238	22	34	8	M20
250	395	350	288	22	38	12	M20
280	395	350	294	22	38	12	M20
315	445	400	338	22	42	12	M20
355	515	460	376	22	46	16	M20
400	574	515	430	26	50	16	M24



Flanges PP-Steel

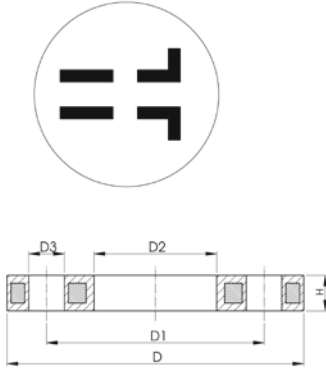
Model:

- Material: PP (30% glass-fibre reinforced) with steel ring
- Metric: ISO 7005, EN 1092, ISO 9624
- ASME: ANSI/ASME B 16.5 class 150, ASTM D4024, BS 1560, BS EN 1759
- Special flange adapter ANSI for d25 - d50 and d90 required

AL: number of holes

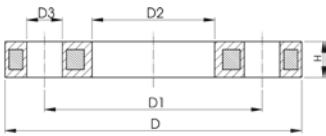
* FM 1613 approved - 15 bar

** Profiled loose flange



d	Size	DN	D	PN	Standard	Bolt / circle	Design	Code	Weight
(mm)	(inch)	(mm)	(mm)	(bar)					(kg)
20		15	95	16	Metric	PN10	Butt/Socket	727 700 206	0.216
25		20	105	16	Metric	PN10	Butt/Socket	727 700 207	0.279
32		25	115	16	Metric	PN10	Butt/Socket	727 700 208	0.429
40		32	140	16	Metric	PN10	Butt/Socket	727 700 209	0.621
50		40	150	16	Metric	PN10	Butt/Socket	727 700 210	0.722
63	2	50	165	16	Metric	PN10	Butt/Socket	727 700 211	0.900
75		65	185	16	Metric	PN10	Butt/Socket	727 700 212	1.110
*		80	200	16	Metric	PN10	Butt	724 700 313	1.390
		80	200	16	Metric	PN10	Butt	727 700 313	1.390
*		100	223	16	Metric	PN10	Butt	724 700 314	1.407
		100	220	16	Metric	PN10	Butt	727 700 314	1.407
*		125	223	16	Metric	PN10	Butt	724 700 315	1.408
		125	220	16	Metric	PN10	Butt	727 700 315	1.408
*		140	250	16	Metric	PN10	Butt	724 700 316	2.318
		140	250	16	Metric	PN10	Butt	727 700 716	2.318
*	6	150	285	16	Metric	PN10	Butt	724 700 317	3.491
	6	150	285	16	Metric/ASME	PN10/ class 150	Butt	727 700 717	3.491
*		150	285	16	Metric	PN10	Butt	724 700 318	3.108
		150	285	16	Metric/ASME	PN10/ Class 150	Butt	727 700 718	3.108
*,**		200	344	16	Metric	PN16	Butt	724 700 319	3.549
	8	200	340	16	Metric/ASME	PN10/ class 150	Butt	727 700 719	5.600
*,**		225	344	16	Metric	PN16	Butt	724 700 320	3.380
	8	200	340	16	Metric/ASME	PN10/ class 150	Butt	727 700 720	5.533
*,**		250	410	16	Metric	PN16	Butt	724 700 321	6.390
		250	395	16	Metric	PN10	Socket	727 700 031	8.340
		250	395	16	Metric	PN10	Butt	727 700 721	6.632
*,**		280	410	16	Metric	PN16	Butt	724 700 322	6.310
		280	395	16	Metric	PN10	Butt	727 700 722	6.573
*,**		315	455	16	Metric	PN16	Butt	724 700 323	9.740
		315	445	16	Metric	PN10	Butt	727 700 723	7.903
*,**		355	521	16	Metric	PN16	Butt	724 700 324	15.203
		355	515	16	Metric	PN10	Butt	727 700 724	14.587
*,**		400	582	16	Metric	PN16	Butt	724 700 325	20.600
		400	574	16	Metric	PN10	Butt	727 700 725	20.034

d	D1	D2	D3	H max.	AL	SC	
(mm)	(mm)	(mm)	(mm)	(mm)			
20	65	28	14	12	4	M12	
25	75	34	14	12	4	M12	
32	85	42	14	16	4	M12	
40	100	51	18	16	4	M16	
50	110	62	18	20	4	M16	
63	125	78	18	20	4	M16	
75	145	92	18	20	4	M16	
*	90	160	108	18	20	8	M16
	90	160	108	18	20	8	M16
*	110	180	128	18	20	8	M16
	110	180	128	18	20	8	M16
*	125	180	135	18	20	8	M16



	d (mm)	D1 (mm)	D2 (mm)	D3 (mm)	H max. (mm)	AL	SC
	125	180	135	18	20	8	M16
*	140	210	158	18	24	8	M16
	140	210	158	18	24	8	M16
*	160	240	178	22	28	8	M20
	160	240	178	22	24	8	M20
*	180	240	188	22	28	8	M20
	180	240	188	22	24	8	M20
*,**	200	295	235	22	31	12	M20
	200	295	235	22	27	8	M20
*,**	225	295	238	22	31	12	M20
	225	297	238	22	27	8	M20
*,**	250	355	288	26	35	12	M24
	250	325	277	22	32	8	M20
	250	350	288	22	30	12	M20
*,**	280	355	294	26	36	12	M24
	280	350	294	22	30	12	M20
*,**	315	410	338	26	43	12	M24
	315	400	338	22	34	12	M20
*,**	355	470	376	26	55	16	M24
	355	460	376	23	40	16	M20
*,**	400	525	430	30	56	16	M27
	400	515	430	26	40	16	M24

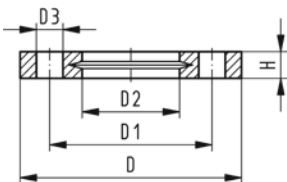


Flanges PP-V (full plastic)

Model:

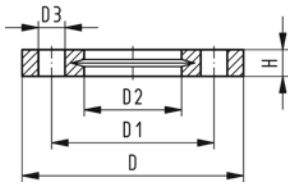
- Full-plastic flange PP-GF (30 % glass-fibre reinforced)
- Metric: ISO 7005, EN 1092, ISO 9624
- ASME: ANSI/ASME B 16.5 class 150, ASTM D2024, BS 1560, BS EN 1759
- Special flange adapter ANSI for d25 - d50 and d90 required

AL: number of holes



d (mm)	DN (mm)	d (inch)	PN (bar)	Standard	Bolt / circle	Design	Code	Weight (kg)
20	15	½	16	ASME	class 150	Butt/Socket	727 701 406	0.091
25	20	¾	16	ASME	class 150	Butt/Socket	727 701 407	0.120
32	25	1	16	ASME	class 150	Butt/Socket	727 701 408	0.147
40	32	1 ¼	16	ASME	class 150	Butt/Socket	727 701 409	0.246
50	40	1 ½	16	ASME	class 150	Butt/Socket	727 701 410	0.299
63	50	2	16	ASME	class 150	Butt/Socket	727 701 411	0.361
75	65	2 ½	16	ASME	class 150	Butt/Socket	727 701 412	0.492
90	80	3	16	ASME	class 150	Butt	727 701 513	0.607
110	100	4	16	ASME	class 150	Butt	727 701 514	0.736
250	250	10	10	ASME	class 150	Butt	727 701 521	2.241
280	250	10	10	ASME	class 150	Butt	727 701 522	2.173
315	300	12	10	ASME	class 150	Butt	727 701 523	3.627

d (mm)	D (mm)	D1 (mm)	D2 (mm)	D3 (mm)	H max. (mm)	AL	SC
20	95	60	28	16	16	4	M12
25	105	70	34	16	17	4	M12
32	115	79	42	16	18	4	M12
40	140	89	51	16	20	4	M16
50	150	98	62	16	22	4	M16
63	165	121	78	19	24	4	M16
75	185	140	92	19	26	4	M16
90	200	152	108	19	27	4	M16



d	D	D1	D2	D3	H max.	AL	SC
(mm)	(mm)	(mm)	(mm)	(mm)	(mm)		
110	229	190	128	19	28	8	M16
250	406	362	288	26	38	12	M20
280	406	362	294	26	38	12	M20
315	483	432	338	26	42	12	M20



Flanges PP-Steel

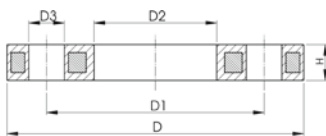
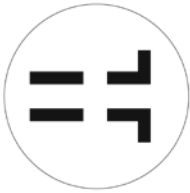
Model:

- Material: PP (30% glass-fibre reinforced) with steel ring
- Metric: ISO 7005, EN 1092, ISO 9624
- ASME: ANSI/ASME B 16.5 class 150, ASTM D4024, BS 1560, BS EN 1759
- Special flange adapter ANSI for d25 - d50 and d90 required

AL: number of holes

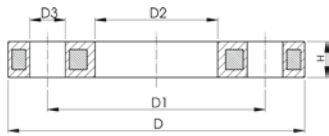
* FM 1613 approved - 15 bar

** Profiled loose flange



d	Size	DN	D	PN	Standard	Bolt / circle	Design	Code	Weight
(mm)	(inch)	(mm)	(mm)	(bar)					(kg)
20	½	15	95	16	ASME	class 150	Butt/Socket	727 701 206	0.213
20		15	95	16	Metric	PN10	Butt/Socket	727 700 206	0.216
25		20	105	16	Metric	PN10	Butt/Socket	727 700 207	0.279
25	¾	20	105	16	ASME	class 150	Butt/Socket	727 701 207	0.260
32		25	115	16	Metric	PN10	Butt/Socket	727 700 208	0.429
32	1	25	115	16	ASME	class 150	Butt/Socket	727 701 208	0.416
40		32	140	16	Metric	PN10	Butt/Socket	727 700 209	0.621
40	1 ¼	32	140	16	ASME	class 150	Butt/Socket	727 701 209	0.730
50		40	150	16	Metric	PN10	Butt/Socket	727 700 210	0.722
50	1 ½	40	150	16	ASME	class 150	Butt/Socket	727 701 210	0.809
63	2	50	165	16	Metric	PN10	Butt/Socket	727 700 211	0.900
63		50	165	16	ASME	class 150	Butt/Socket	727 701 211	0.866
75		65	185	16	Metric	PN10	Butt/Socket	727 700 212	1.110
75	2 ½	65	185	16	ASME	class 150	Butt/Socket	727 701 212	1.117
90	3	80	200	16	ASME	class 150	Butt	727 701 313	1.499
110	4	100	229	16	ASME	class 150	Butt	727 701 314	1.739
250	10	250	406	10	ASME	class 150	Butt	727 701 321	6.000
315	12	300	483	10	ASME	class 150	Butt	727 701 322	11.800
355	14	350	540	10	ASME	class 150	Butt	727 701 323	17.900
400	16	400	597	10	ASME	class 150	Butt	727 701 324	24.500

d	D1	D2	D3	H max.	AL	SC
(mm)	(mm)	(mm)	(mm)	(mm)		
20	60	28	16	12	4	M12
20	65	28	14	12	4	M12
25	75	34	14	12	4	M12
25	70	34	16	12	4	M12
32	85	42	14	16	4	M12
32	79	42	16	16	4	M12
40	100	51	18	16	4	M16
40	89	51	16	16	4	M16
50	110	62	18	20	4	M16
50	98	62	16	18	4	M16
63	125	78	18	20	4	M16
63	121	78	19	18	4	M16
75	145	92	18	20	4	M16
75	140	92	19	18	4	M16
90	152	108	19	20	4	M16
110	190	128	19	20	8	M16



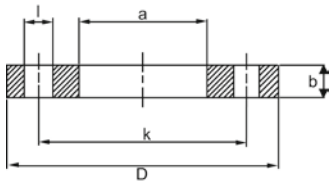
	d (mm)	D1 (mm)	D2 (mm)	D3 (mm)	H max. (mm)	AL	SC
	250	362	293	25	30	12	M24
	315	432	338	25	34	12	M24
	355	476	376	29	42	12	M27
	400	539	429	29	44	16	M27



PVDF Coated Steel for Butt Fusion Systems Inch/ANSI Flange Ring blue coated steel

Material: PVDF blue coated steel

Bolt holes drilled in accordance with ANSI B16.5, Class 150 pattern



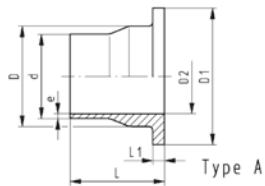
d (mm)	Size (inch)	Code	D (inch)	a (inch)	k (inch)	b (inch)	l (inch)	Bolt Holes
20	½	155 701 806	3.50	1.10	2.36	0.28	0.63	4
25	¾	155 701 807	3.86	1.34	2.76	0.28	0.63	4
32	1	155 701 808	4.25	1.65	3.11	0.28	0.63	4
40	1 ¼	155 701 809	4.61	2.01	3.50	0.32	0.63	4
50	1 ½	155 701 810	5.00	2.44	3.86	0.32	0.63	4
63	2	155 701 811	5.98	3.07	4.76	0.39	0.75	4
75	2 ½	155 701 812	7.01	3.62	5.51	0.39	0.75	4
90	3	155 701 813	7.48	4.33	5.98	0.39	0.75	4
110	4	155 703 814	9.02	5.24	7.48	0.39	0.75	8
160	6	155 701 917	10.98	7.05	9.48	0.50	0.88	8
200	8	155 701 919	13.50	9.30	11.73	0.63	0.88	8
225	9	155 701 920	13.50	9.42	11.73	0.63	0.88	8
250	10	155 701 921	16.00	11.35	14.25	0.88	0.88	12
315	12	155 701 923	19.00	13.31	17.00	1.00	1.00	12
355	14	155 701 924	21.00	14.80	18.75	1.00	1.00	12
400	16	155 701 925	23.50	16.93	21.25	1.13	1.13	16



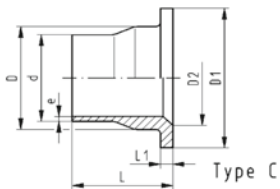
SYGEF Plus Flange adaptor JIS SDR33/PN10 High Purity clean-room product ISO Class 5 (100)

Model:

- Material: PVDF-HP



d (mm)	DN (mm)	PN (bar)	FM	Type	Code	SP	Weight (kg)	L (mm)	L1 (mm)	D (mm)	D1 (mm)	D2 (mm)	e (mm)
140	125	10	IR	A	735 805 936	1	0.844	89	15	155	188	127	4.4
160	150	10	IR	C	735 805 937	1	0.908	92	16	175	212	151	4.9
225	200	10	IR	A	735 805 940	1	1.719	100	20	235	268	207	6.9

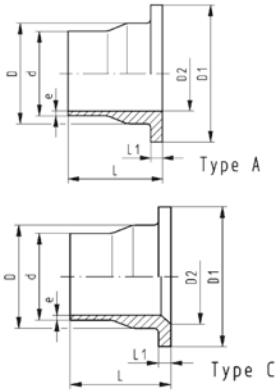




**SYGEF Plus flange adaptor JIS
SDR21/PN16
High Purity clean-room product ISO Class 5 (100)**

Model:

- Material: PVDF-HP



d (mm)	DN (mm)	PN (bar)	FM	Type	Code	Weight (kg)	L (mm)	L1 (mm)	D (mm)	D1 (mm)	D2 (mm)	e (mm)
20	15	16	BCF, IR	A	735 805 926	0.022	54	6	26	34	15	1.9
25	20	16	BCF, IR	A	735 805 927	0.032	56	7	32	41	20	1.9
32	25	16	BCF, IR	A	735 805 928	0.051	58	7	40	50	26	2.4
40	32	16	BCF, IR	A	735 805 929	0.077	68	8	49	61	34	2.4
50	40	16	BCF, IR	A	735 805 930	0.118	69	8	60	73	42	3.0
63	50	16	BCF, IR	A	735 805 931	0.174	72	9	75	90	56	3.0
75	65	16	BCF, IR	A	735 805 932	0.255	80	10	89	106	66	3.6
90	80	16	BCF, IR	A	735 805 933	0.333	80	11	105	125	78	4.3
110	100	16	BCF, IR	C	735 805 934	0.556	80	12	125	150	100	5.3
140	125	16	IR	C	735 798 841	0.887	90	16	155	188	127	6.7
160	150	16	IR	C	735 798 842	1.171	93	17	175	212	151	7.7
225	200	16	IR	C	735 798 845	2.064	102	22	235	268	207	10.8
250	250	16	IR	C	735 798 846	3.658	122	25	285	320	249	11.9
280	250	16	IR	C	735 798 847	3.586	122	25	291	320	249	13.4
315	300	16	IR	C	735 798 848	5.028	124	28	335	370	300	15.0



Profiled Backing Flanges Metal, Epoxy coated

Model:

- Ductile iron (GGG 40), stoved epoxy (black, DIN30677)
- Metric: ISO 7005, EN 1092, ISO 9624

Note:

Flat side = bolt / washer side
Profiled side = flange adaptor side (aligned with collar)

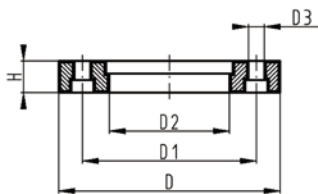
AL: number of holes

*Galvanized steel S235-JR, suitable for underground laying

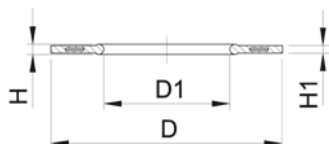


d (mm)	DN (mm)	PN (bar)	Standard	Bolt / circle	Design	Code	Weight (kg)
125	125	16	Metric	PN10	Butt	701 474 386	6.000

d (mm)	DN (mm)	D (mm)	D1 (mm)	D2 (mm)	D3 (mm)	H (mm)	AL	SC
125	125	250	210	135	18	25	8	M16



Profile Flange Gasket, metric MPTFE envelope / EPDM inside

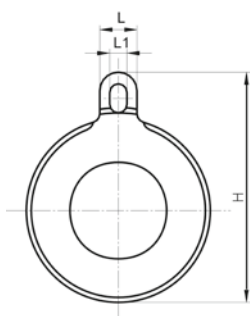


Model:

- For all metric GF Flange Adaptors
- Centering on the inner diameter of the bolt circle
- Envelope made of modified PTFE with diffusion barrier
- Ideal for aggressive media, High-Purity and silicone-free / paint compatible (acc. VDMA test)
- EPDM Profile Flange Gasket inside
- Individually bagged
- Suitable for contact with food stuff (conform to FDA 21 § 177.1550)

d (mm)	DN (mm)	PN (bar)	MPTFE/ EPDM Code	D (mm)	D1 (mm)	di FA (mm)	H (mm)	H1 (mm)
20	15	16	747 440 706	51	20	10 - 20	4	3
25	20	16	747 440 707	61	22	12 - 22	4	3
32	25	16	747 440 708	71	28	18 - 28	4	3
40	32	16	747 440 709	82	40	30 - 40	4	3
52	40	16	747 440 710	92	46	36 - 46	4	3
63	50	16	747 440 711	107	58	48 - 58	5	4
75	65	16	747 440 712	127	69	59 - 69	5	4
90	80	16	747 440 713	142	84	73 - 84	5	4
110	100	16	747 440 714	162	104	94 - 104	6	5

SYGEF Plus Gasket

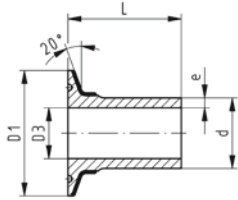
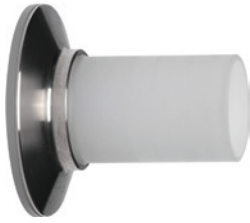


Model:

- For Use with Steel Flange Rings
- * Non-Returnable/Non-Cancelable

d (mm)	Pipe Size (inch)	Code	Weight (lb)	H (inch)	L (inch)	L1 (inch)
20	1/2	731 400 751	0.030	2.76	0.76	0.51
25	3/4	731 400 753	0.044	2.99	0.79	0.51
32	1	731 400 755	0.053	3.58	0.98	0.63
40	1 1/4	731 400 757	0.079	3.98	0.98	0.63
50	1 1/2	731 400 759	0.084	4.33	0.98	0.63
63	2	731 400 760	0.132	5.04	0.98	0.63
75	2 1/2	731 400 761	0.179	5.83	0.98	0.63
90	3	731 400 763	0.132	6.34	0.98	0.63
110	4	731 400 764	0.220	7.44	0.98	0.63
160	6	731 400 667	0.309	9.61	1.18	0.79
200/225	8/9	731 400 670	0.441	11.81	1.18	0.79
250	10	731 400 671	0.683	14.17	1.38	0.87
315	12	731 400 672	0.650	16.50	1.38	0.87

Sanitary adaptors



SYGEF Plus sanitary adaptor
High Purity clean-room product ISO Class 5 (100)
With stainless reinforcement SDR21/PN16
For PVDF-PVDF connection

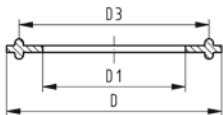
Model:

- Material: PVDF-HP
- without chamfer for complete evacuation even in horizontal installation

Note:

to be connected with standard clamp - please see dimension D1

d (mm)	PN (bar)	FM	Code	SP	Weight (kg)	L (mm)	D1 (mm)	D3 (mm)	e (mm)
20	16	BCF, IR	735 598 806	1	0.041	49	51	17	1.9
25	16	BCF, IR	735 598 807	1	0.044	55	51	20	1.9
32	16	BCF, IR	735 598 808	1	0.061	57	51	26	2.4
40	16	BCF, IR	735 598 809	1	0.079	67	64	33	2.4
50	16	BCF, IR	735 598 810	1	0.090	68	64	42	3.0
63	16	BCF, IR	735 598 811	1	0.118	71	78	55	3.0



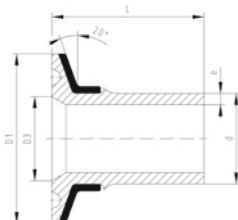
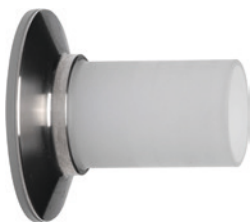
Gasket PTFE

Special gaskets for sanitary adaptors PVDF-PVDF connection only
High Purity clean-room product ISO Class 5 (100)

Model:

- Special gaskets for sanitary adaptors PVDF-PVDF connection only (735.598.8xx)

d (mm)	Code	SP	Weight (kg)	D (mm)	D1 (mm)	D3 (mm)
20	743 400 806	1	0.018	50.5	16.9	43.5
25	743 400 807	1	0.017	50.5	20.1	43.5
32	743 400 808	1	0.017	50.5	25.8	43.5
40	743 400 809	1	0.022	64.0	33.6	56.5
50	743 400 810	1	0.019	64.0	42.5	56.5
63	743 400 811	1	0.027	77.5	55.4	70.5



SYGEF Plus sanitary adaptor
High Purity clean-room product ISO Class 5 (100)
With stainless reinforcement SDR21/PN16
Ferrule ISO 1127

Model:

- Material: PVDF-HP
- * Model without chamfer

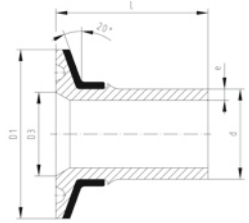
d (mm)	DN (mm)	PN (bar)	FM	Code	SP	Weight (kg)	L (mm)	D1 (mm)	D3 (mm)	e (mm)
20	15	16	BCF, IR	735 598 006	1	0.032	50	50.5	18.1	1.9
25	20	16	BCF, IR	735 598 008	1	0.042	55	50.5	23.4	1.9
25	25	16	BCF, IR	735 598 009	1	0.041	55	50.5	29.7	1.9
32	25	16	BCF, IR	735 598 010	1	0.045	57	50.5	29.6	2.4
40	32	16	BCF, IR	735 598 014	1	0.073	67	64.0	38.4	2.4
*	50	40	BCF, IR	735 598 016	1	0.083	68	64.0	44.3	3.0
*	63	50	BCF, IR	735 598 018	1	0.107	71	77.5	56.3	3.0



SYGEF Plus sanitary adaptor
High Purity clean-room product ISO Class 5 (100)
With stainless reinforcement SDR21/PN16
Ferrule for mebrane manometer

Model:

- Material: PVDF-HP



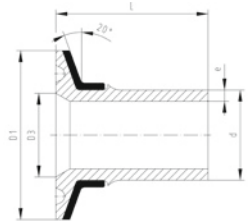
d	DN	PN	FM	Code	SP	Weight	L	D1	D3	e
(mm)	(mm)	(bar)				(kg)	(mm)	(mm)	(mm)	(mm)
20	15	16	BCF, IR	735 598 506	1	0.038	49	50.5	34.1	1.9
25	20	16	BCF, IR	735 598 508	1	0.041	55	50.5	34.1	1.9
32	25	16	BCF, IR	735 598 510	1	0.045	57	50.5	34.1	2.4



SYGEF Plus sanitary adaptor
High Purity clean-room product ISO Class 5 (100)
With stainless reinforcement SDR21/PN16
JIS G3447

Model:

- Material: PVDF-HP



d	DN	PN	FM	Code	SP	Weight	L	D1	D3	e
(mm)		(bar)				(kg)	(mm)	(mm)	(mm)	(mm)
20	15 A	16	BCF, IR	735 598 406	1	0.020	49	34.0	17.5	1.9
25	1 S	16	BCF, IR	735 598 408	1	0.042	55	50.5	23.4	1.9
32	1 1/4 S	16	BCF, IR	735 598 410	1	0.045	57	50.5	29.6	2.4
40	1 1/2 S	16	BCF, IR	735 598 414	1	0.047	67	50.5	35.2	2.4
50	2 S	16	BCF, IR	735 598 416	1	0.082	68	64.0	47.7	3.0
63	2 1/2 S	16	BCF, IR	735 598 418	1	0.107	71	77.5	59.9	3.0



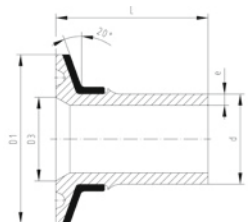
SYGEF Plus sanitary adaptor
High Purity clean-room product ISO Class 5 (100)
With stainless reinforcement SDR21/PN16
ASME BPE

Model:

- Material: PVDF-HP

¹ Model without stainless reinforcement

* Model without chamfer



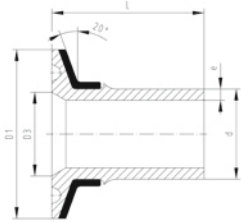
d	Size	PN	FM	Code	SP	GP	Weight	L	D1	D3	e	
(mm)	(inch)	(bar)					(kg)	(mm)	(mm)	(mm)	(mm)	
1*	20	3/4	16	BCF, IR	735 598 357	1	50	0.011	49	25	16.20	1.9
	25	1	16	BCF, IR	735 598 359	1	15	0.042	55	51	22.40	1.9
	32	1 1/2	16	BCF, IR	735 598 362	1	15	0.061	57	51	34.90	2.4
	40	1 1/2	16	BCF, IR	735 598 365	1	15	0.047	57	51	35.50	2.4
	50	2	16	BCF, IR	735 598 367	1	15	0.118	68	64	47.70	3.0
	63	2 1/2	16	BCF, IR	735 598 369	1	10	0.142	71	78	59.90	3.0



SYGEF Plus sanitary adaptor
High Purity clean-room product ISO Class 5 (100)
With stainless reinforcement SDR21/PN16
ISO 2852

Model:

- Material: PVDF-HP



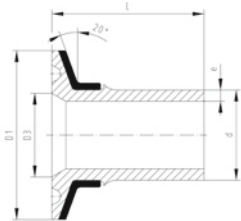
d	DN	PN	FM	Code	SP	Weight	L	D1	D3	e
(mm)	(mm)	(bar)				(kg)	(mm)	(mm)	(mm)	(mm)
25	25	16	BCF, IR	735 598 309	1	0.042	55	50.5	22.4	1.9
32	32	16	BCF, IR	735 598 312	1	0.045	57	50.5	31.7	2.4
40	40	16	BCF, IR	735 598 315	1	0.047	67	50.5	35.5	2.4
50	50	16	BCF, IR	735 598 317	1	0.081	68	64.0	48.6	3.0
63	65	16	BCF, IR	735 598 319	1	0.107	71	77.5	59.9	3.0



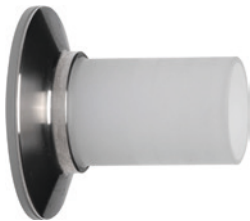
SYGEF Plus sanitary adaptor
High Purity clean-room product ISO Class 5 (100)
With stainless reinforcement SDR21/PN16
DIN 3017

Model:

- Material: PVDF-HP



d	DN	PN	FM	Code	SP	Weight	L	D1	D3	e
(mm)	(mm)	(bar)				(kg)	(mm)	(mm)	(mm)	(mm)
25	25	16	BCF, IR	735 598 259	1	0.042	55	51	22.4	1.9
32	32	16	BCF, IR	735 598 262	1	0.042	57	51	31.7	2.4
40	40	16	BCF, IR	735 598 265	1	0.047	67	51	35.5	2.4
50	50	16	BCF, IR	735 598 267	1	0.081	68	64	48.6	3.0
63	65	16	BCF, IR	735 598 269	1	0.107	71	78	59.9	3.0



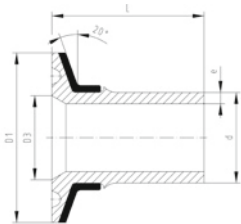
SYGEF Plus sanitary adaptor
High Purity clean-room product ISO Class 5 (100)
With stainless reinforcement SDR21/PN16
Ferrule 3A Standard

Model:

- Material: PVDF-HP

¹ Model without stainless reinforcement

* Model without chamfer



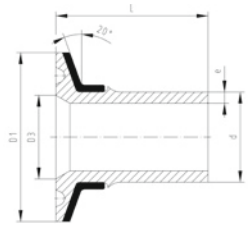
d	Size	PN	FM	Code	SP	Weight	L	D1	D3	e	
(mm)	(inch)	(bar)				(kg)	(mm)	(mm)	(mm)	(mm)	
1*	20	¾	16	BCF, IR	735 598 207	1	0.011	50	25	16.20	1.9
*	25	1	16	BCF, IR	735 598 209	1	0.054	55	51	22.40	1.9
	32	1 ½	16	BCF, IR	735 598 213	1	0.044	57	51	34.90	2.4
	40	1 ½	16	BCF, IR	735 598 215	1	0.047	67	51	35.50	2.4
	50	2	16	BCF, IR	735 598 217	1	0.082	68	64	47.70	3.0
	63	2 ½	16	BCF, IR	735 598 219	1	0.107	71	78	59.90	3.0



SYGEF Plus sanitary adaptor
High Purity clean-room product ISO Class 5 (100)
With stainless reinforcement SDR21/PN16
Ferrule BS Inch 4825

Model:

- Material: PVDF-HP
- * Model without chamfer



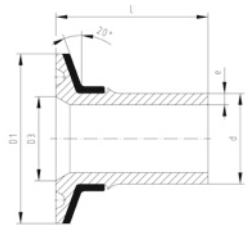
	d	Size	PN	FM	Code	SP	Weight	L	D1	D3	e
	(mm)	(inch)	(bar)				(kg)	(mm)	(mm)	(mm)	(mm)
	20	¾	16	BCF, IR	735 598 157	1	0.040	50	50.5	22.1	1.9
*	25	1	16	BCF, IR	735 598 159	1	0.055	55	50.5	22.4	1.9
	32	1 ½	16	BCF, IR	735 598 163	1	0.044	57	50.5	34.9	2.4
	40	1 ½	16	BCF, IR	735 598 165	1	0.047	67	50.5	35.5	2.4
	50	2	16	BCF, IR	735 598 167	1	0.082	68	64.0	47.7	3.0
	63	2 ½	16	BCF, IR	735 598 169	1	0.107	71	77.5	59.9	3.0



SYGEF Plus sanitary adaptor
High Purity clean-room product ISO Class 5 (100)
With stainless reinforcement SDR21/PN16
Ferrule DIN 32676

Model:

- Material: PVDF-HP
- * Model without chamfer



	d	DN	PN	FM	Code	SP	Weight	L	D1	D3	e
	(mm)	(mm)	(bar)				(kg)	(mm)	(mm)	(mm)	(mm)
*	20	15	16	BCF, IR	735 598 056	1	0.020	50	34.0	16.0	1.9
	20	20	16	BCF, IR	735 598 057	1	0.020	50	34.0	20.0	1.9
	25	25	16	BCF, IR	735 598 059	1	0.056	55	50.5	26.0	1.9
	32	32	16	BCF, IR	735 598 062	1	0.045	57	50.5	31.7	2.4
	40	40	16	BCF, IR	735 598 065	1	0.047	67	50.5	38.0	2.4
	50	50	16	BCF, IR	735 598 067	1	0.081	68	64.0	50.0	3.0

Installation fittings



SYGEF Plus installation fitting
SDR33/PN10
 High Purity clean-room product ISO Class 5 (100)

Model:

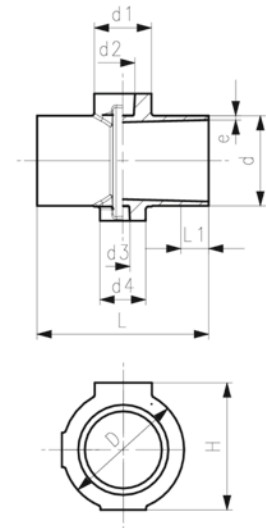
- Material: PVDF-HP
- Injection-moulded version

Range of use:

- compatible with all signet sensors excepting flow sensors

Note:

Thread needs to be milled, HAND HELD DRILLING MUST NOT BE DONE



d (mm)	PN (bar)	FM	Rp/NPT (inch)	Code	Weight (kg)
140	10	IR	¼ - 1	735 918 716	0.967
160	10	IR	¼ - 1	735 918 717	1.141
225	10	IR	¼ - 1	735 918 720	1.845

d (mm)	L (mm)	L1 (mm)	d1 (mm)	d2 (mm)	d3 (mm)	d4 (mm)	D (mm)	H (mm)	e (mm)
140	155	40	63	17	10	50	171	171	4.3
160	155	40	63	17	10	50	189	191	4.9
225	155	40	63	17	10	50	248	256	6.9



SYGEF Plus installation fitting
SDR21/PN16
 High Purity clean-room product ISO Class 5 (100)

Model:

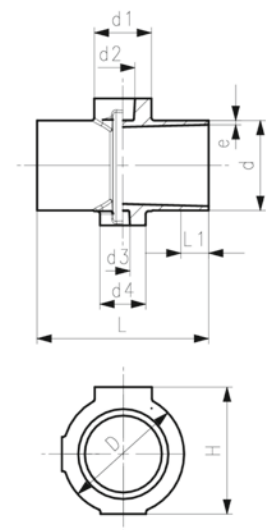
- Material: PVDF-HP
- Injection-moulded version

Range of use:

- compatible with all signet sensors excepting flow sensors

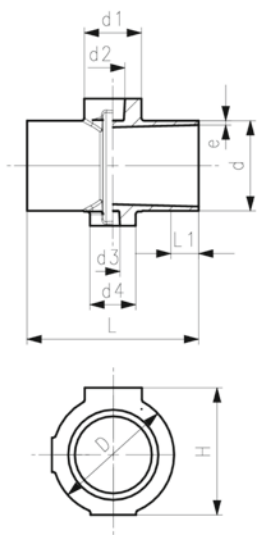
Note:

Thread needs to be milled, HAND HELD DRILLING MUST NOT BE DONE



d (mm)	PN (bar)	FM	Rp/NPT (inch)	Code	Weight (kg)
63	16	BCF, IR	¼ - ¾	735 918 811	0.147
75	16	BCF, IR	¼ - ¾	735 918 812	0.210
90	16	BCF, IR	¼ - ¾	735 918 813	0.265
110	16	BCF, IR	¼ - ¾	735 918 814	0.623
140	16	IR	¼ - 1	735 918 816	1.319
160	16	IR	¼ - 1	735 918 817	1.601
225	16	IR	¼ - 1	735 918 820	2.698

d (mm)	L (mm)	L1 (mm)	d1 (mm)	d2 (mm)	d3 (mm)	d4 (mm)	D (mm)	H (mm)	e (mm)
63	120	25	40	17	10	32	85	89	3.0
75	130	25	40	17	10	40	96	101	3.6
90	130	25	40	17	10	40	110	116	4.3



d	L	L1	d1	d2	d3	d4	D	H	e
(mm)	(mm)	(mm)	(mm)	(mm)	(mm)	(mm)	(mm)	(mm)	(mm)
110	130	25	40	17	10	40	127	136	5.3
140	155	40	63	17	10	50	171	171	6.7
160	155	40	63	17	10	50	189	191	7.7
225	155	40	63	17	10	50	248	256	10.8



SYGEF Plus Installation fitting with sanitary adaptor SDR21/PN16

Model:

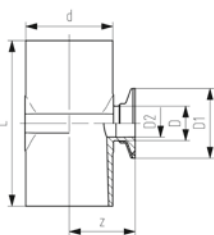
- without chamfer for complete evacuation even in horizontal installation
- Material: PVDF-HP
- d [mm] = main line
- D [mm] = connector line

Range of use:

- for pressure gauges
- for sampling valves
- for sanitary adaptor PVDF connection

Note:

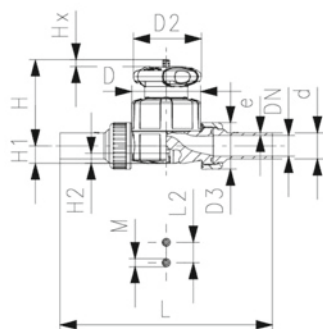
* machined T



	d	PN	D	FM	Code	Weight	L	D2	D1	Z
	(mm)		(mm)			(kg)	(mm)	(mm)	(mm)	(mm)
*	20	16	20	BCF, IR	735 318 101	0.100	110	34.1	50.5	32.7
*	25	16	25	BCF, IR	735 318 202	0.097	110	34.1	50.5	35.2
*	32	16	32	BCF, IR	735 318 303	0.138	124	34.1	50.5	38.7
*	40	16	25	BCF, IR	735 318 204	0.100	124	19.9	50.5	42.7
*	40	16	32	BCF, IR	735 318 304	0.100	124	25.6	50.5	42.7
*	50	16	25	BCF, IR	735 318 205	0.100	124	19.9	50.5	47.7
*	50	16	32	BCF, IR	735 318 305	0.100	124	25.6	50.5	47.7
*	50	16	50	BCF, IR	735 318 505	0.100	124	42.2	64.0	47.7
	63	16	25	BCF, IR	735 318 206	0.258	120	19.9	50.5	54.2
	63	16	32	BCF, IR	735 318 306	0.269	120	25.6	50.5	54.2
*	63	16	50	BCF, IR	735 318 506	0.100	120	42.2	64.0	54.2
*	63	16	63	BCF, IR	735 318 606	0.100	138	55.1	77.5	54.2
	75	16	25	BCF, IR	735 318 207	0.352	130	19.9	50.5	60.2
	75	16	32	BCF, IR	735 318 307	0.357	130	25.6	50.5	60.2
	75	16	50	BCF, IR	735 318 507	0.402	130	42.2	64.0	60.2
*	75	16	63	BCF, IR	735 318 607	0.619	130	55.1	77.5	60.2
	90	16	25	BCF, IR	735 318 208	0.449	130	19.9	50.5	67.7
	90	16	32	BCF, IR	735 318 308	0.454	130	25.6	50.5	67.7
	90	16	50	BCF, IR	735 318 508	0.496	130	42.2	64.0	67.7
	90	16	63	BCF, IR	735 318 608	0.658	138	55.1	77.5	67.7
	110	16	25	BCF, IR	735 318 209	0.614	130	19.9	50.5	77.7
	110	16	32	BCF, IR	735 318 309	0.619	130	25.6	50.5	77.7
	110	16	50	BCF, IR	735 318 509	0.662	130	42.2	64.0	77.7
	110	16	63	BCF, IR	735 318 609	0.686	180	55.1	77.5	77.7

SYGEF Plus Valves

Hand-operated valves



SYGEF Plus Diaphragm valve type 514 With butt fusion spigots metric

Model:

- Material: PVDF-HP
- Double flow rate compared to predecessor
- One housing nut replaces four screws
- Handwheel with built-in locking mechanism
- For easy installation and removal
- Short overall length

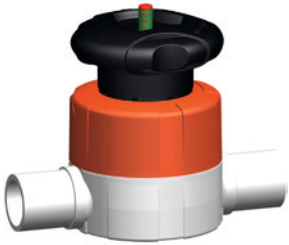
Option:

- Individual configuration of the valve
- Self adjusting multifunctional module with integrated limit switches

*O-ring material: FKM white

d (mm)	DN (mm)	PN (bar)	kv-value ($\Delta p=1$ bar) (l/min)	PTFE/ EPDM* Code	PTFE/FKM* Code	Weight (kg)
20	15	10	125	181 514 132	181 514 152	0.399
25	20	10	271	181 514 133	181 514 153	0.597
32	25	10	481	181 514 134	181 514 154	1.111
40	32	10	759	181 514 135	181 514 155	1.286
50	40	10	1263	181 514 136	181 514 156	2.989
63	50	10	1728	181 514 137	181 514 157	3.164

d (mm)	D (mm)	D2 (mm)	D3 (mm)	H (mm)	H1 (mm)	H2 (mm)	L (mm)	L2 (mm)	M	e (mm)	Lift = Hx (mm)	closest inch (inch)
20	65	65	43	73	14	12	196	25	M6	1.9	7	½
25	80	65	53	81	18	12	221	25	M6	1.9	10	¾
32	88	87	60	107	22	12	234	25	M6	2.4	13	1
40	101	87	74	115	26	15	260	45	M8	2.4	15	1 ¼
50	117	135	82	148	32	15	284	45	M8	3.0	19	1 ½
63	144	135	100	166	39	15	321	45	M8	3.0	25	2



SYGEF Plus Diaphragm valve type 515 With butt fusion spigots metric

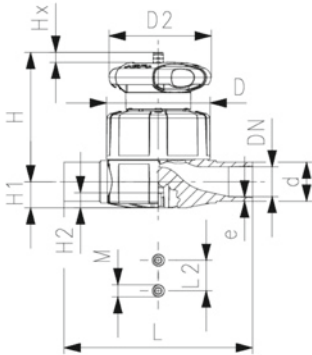
Model:

- Material: PVDF-HP
- Double flow rate compared to predecessor
- One housing nut replaces four screws
- Handwheel with built-in locking mechanism
- Overall length EN 558

Option:

- Individual configuration of the valve
- Self adjusting multifunctional module with integrated limit switches

*O-ring material: FKM white



d (mm)	DN (mm)	PN (bar)	kv-value ($\Delta p=1$ bar) (l/min)	PTFE/ EPDM* Code	PTFE/FKM* Code	Weight (kg)
20	15	10	125	181 515 132	181 515 152	0.295
25	20	10	271	181 515 133	181 515 153	0.438
32	25	10	481	181 515 134	181 515 154	0.870
40	32	10	759	181 515 135	181 515 155	1.103
50	40	10	1263	181 515 136	181 515 156	1.846
63	50	10	1728	181 515 137	181 515 157	2.512

d (mm)	D (mm)	D2 (mm)	H (mm)	H1 (mm)	H2 (mm)	L (mm)	L2 (mm)	M	e (mm)	Lift = Hx (mm)	closest inch (inch)
20	65	65	73	14	12	124	25	M6	1.9	7	1/2
25	80	65	81	18	12	144	25	M6	1.9	10	3/4
32	88	87	107	22	12	155	25	M6	2.4	13	1
40	101	87	115	26	15	176	45	M8	2.4	15	1 1/4
50	117	135	148	32	15	193	45	M8	3.0	19	1 1/2
63	144	135	166	39	15	223	45	M8	3.0	25	2



SYGEF Plus Diaphragm valve type 514 With butt fusion spigots metric

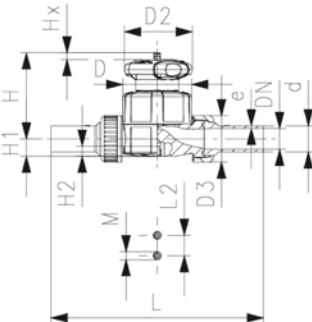
Model:

- Material: PVDF-HP
- Ideally suited for High Purity applications, not recommended for oxidizing acids
- Double flow rate compared to predecessor
- One housing nut replaces four screws
- Handwheel with built-in locking mechanism
- For easy installation and removal
- Short overall length
- **For water use only**

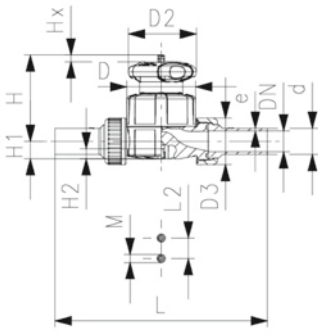
Option:

- Individual configuration of the valve
- Self adjusting multifunctional module with integrated limit switches

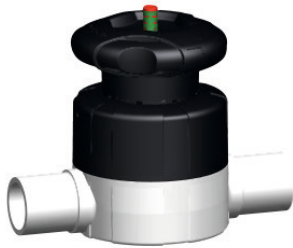
*O-ring material: FKM white



d (mm)	DN (mm)	PN (bar)	kv-value ($\Delta p=1$ bar) (l/min)	PTFE/ EPDM* Code	Weight (kg)
20	15	16	125	180 514 132	0.399
25	20	16	271	180 514 133	0.597
32	25	16	481	180 514 134	1.111
40	32	16	759	180 514 135	1.286
50	40	16	1263	180 514 136	2.989
63	50	16	1728	180 514 137	3.164



d (mm)	D (mm)	D2 (mm)	D3 (mm)	H (mm)	H1 (mm)	H2 (mm)	L (mm)	L2 (mm)	M	e (mm)	Lift = Hx (mm)	closest inch (inch)
20	65	65	43	73	14	12	196	25	M6	1.9	7	½
25	80	65	53	81	18	12	221	25	M6	1.9	10	¾
32	88	87	60	107	22	12	234	25	M6	2.4	13	1
40	101	87	74	115	26	15	260	45	M8	2.4	15	1 ¼
50	117	135	82	148	32	15	284	45	M8	3.0	19	1 ½
63	144	135	100	166	39	15	321	45	M8	3.0	25	2



SYGEF Plus Diaphragm valve type 515
With butt fusion spigots metric

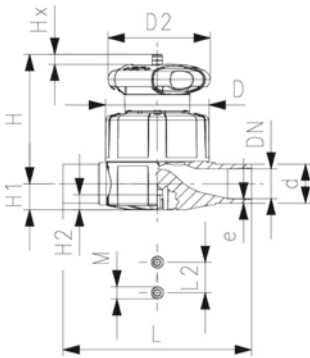
Model:

- Material: PVDF-HP
- Ideally suited for High Purity applications, not recommended for oxidizing acids
- Double flow rate compared to predecessor
- One housing nut replaces four screws
- Handwheel with built-in locking mechanism
- Overall length EN 558
- **For water use only**

Option:

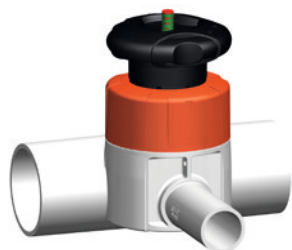
- Individual configuration of the valve
- Self adjusting multifunctional module with integrated limit switches

*O-ring material: FKM white



d (mm)	DN (mm)	PN (bar)	kv-value ($\Delta p=1$ bar) (l/min)	PTFE/ EPDM* Code	Weight (kg)
20	15	16	125	180 515 132	0.295
25	20	16	271	180 515 133	0.438
32	25	16	481	180 515 134	0.870
40	32	16	759	180 515 135	0.944
50	40	16	1263	180 515 136	1.846
63	50	16	1728	180 515 137	2.512

d (mm)	D (mm)	D2 (mm)	H (mm)	H1 (mm)	H2 (mm)	L (mm)	L2 (mm)	M	e (mm)	Lift = Hx (mm)	closest inch (inch)
20	65	65	73	14	12	124	25	M4	1.9	7	½
25	80	65	81	18	12	144	25	M4	1.9	10	¾
32	88	87	107	22	12	155	25	M4	2.4	13	1
40	101	87	115	26	15	176	45	M8	2.4	15	1 ¼
50	117	135	148	32	15	193	45	M8	3.0	19	1 ½
63	144	135	166	39	15	223	45	M8	3.0	25	2



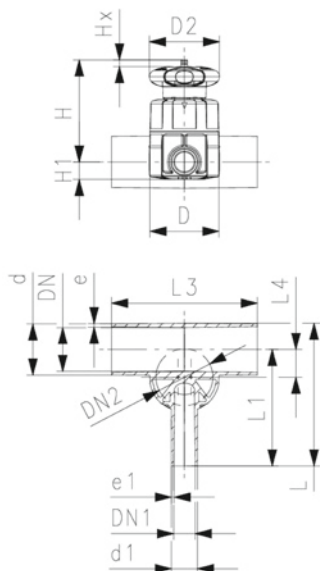
SYGEF Plus Diaphragm valve type 519
With butt fusion spigots metric SDR21

Model:

- Material: PVDF-HP
- Double flow rate compared to predecessor
- One housing nut replaces four screws
- Handwheel with built-in locking mechanism
- Smallest possible dead space

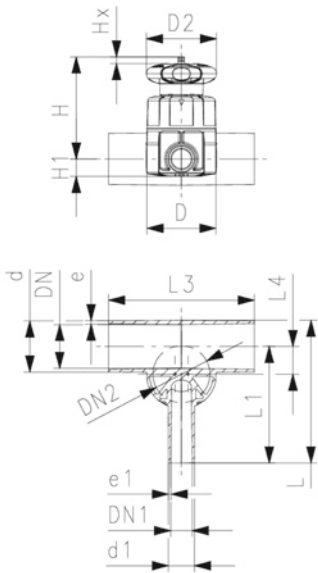
Option:

- Individual configuration of the valve
- Self adjusting multifunctional module with integrated limit switches



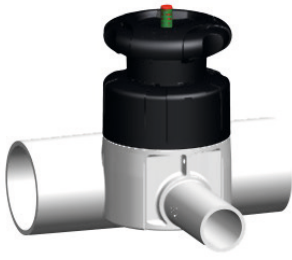
d	d1	DN	DN1	Size	PN	kv-value	Valve	PTFE/	PTFE/FKM*	Weight
(mm)	(mm)	(mm)	(mm)	(inch)	(bar)	($\Delta p=1$ bar)	Size d	EPDM*	Code	(kg)
						(L/min)	(mm)	Code		
20	20	15	15	½	10	57	20	181 519 301	181 519 501	0.350
25	20	20	15	¾	10	89	25	181 519 303	181 519 503	0.476
25	25	20	20	¾	10	118	25	181 519 304	181 519 504	0.633
32	20	25	15	1	10	80	25	181 519 307	181 519 507	0.692
32	25	25	20	1	10	105	25	181 519 308	181 519 508	0.721
32	32	25	25	1	10	231	32	181 519 309	181 519 509	0.889
40	20	32	15	1 ½	10	85	32	181 519 312	181 519 512	0.963
40	25	32	20	1 ½	10	119	32	181 519 313	181 519 513	0.812
40	32	32	25	1 ½	10	153	32	181 519 314	181 519 514	0.845
40	40	32	32	1 ½	10	187	32	181 519 315	181 519 515	0.866
50	20	40	15	1 ½	10	86	25	181 519 318	181 519 518	0.789
50	25	40	20	1 ½	10	160	32	181 519 319	181 519 519	0.905
50	32	40	25	1 ½	10	206	32	181 519 320	181 519 520	0.926
50	40	40	32	1 ½	10	524	63	181 519 321	181 519 521	2.381
50	50	40	40	1 ½	10	667	63	181 519 322	181 519 522	2.387
63	20	50	15	2	10	84	25	181 519 325	181 519 525	0.784
63	25	50	20	2	10	150	32	181 519 326	181 519 526	1.411
63	32	50	25	2	10	184	32	181 519 327	181 519 527	1.018
63	40	50	32	2	10	471	63	181 519 328	181 519 528	2.606
63	50	50	40	2	10	610	63	181 519 329	181 519 529	3.458
63	63	50	50	2	10	747	63	181 519 330	181 519 530	2.653
90	20	80	15	3	10	82	32	181 519 341	181 519 541	1.304
90	25	80	20	3	10	103	32	181 519 342	181 519 542	1.703
90	32	80	25	3	10	129	32	181 519 343	181 519 543	1.719
90	50	80	40	3	10	623	63	181 519 345	181 519 545	3.164
90	63	80	50	3	10	696	63	181 519 346	181 519 546	3.172
110	20	100	15	4	10	78	32	181 519 351	181 519 551	1.966
110	25	100	20	4	10	103	32	181 519 352	181 519 552	1.972
110	32	100	25	4	10	131	32	181 519 353	181 519 553	1.975
110	50	100	40	4	10	604	63	181 519 355	181 519 555	4.327
110	63	100	50	4	10	661	63	181 519 356	181 519 556	3.580
140	32	125	25	5	10	146	32	181 519 363	181 519 563	3.327
140	40	125	32	5	10	382	63	181 519 364	181 519 564	5.423
140	50	125	40	5	10	440	63	181 519 365	181 519 565	5.453
140	63	125	50	5	10	502	63	181 519 366	181 519 566	5.473
160	32	150	25	6	10	139	32	181 519 373	181 519 573	3.683
160	40	150	32	6	10	382	63	181 519 374	181 519 574	5.823
160	50	150	40	6	10	436	63	181 519 375	181 519 575	5.843
160	63	150	50	6	10	498	63	181 519 376	181 519 576	5.863

d	d1	D	D2	H	H1	L	L1	L3	L4	e	Lift =	DN2	e1
(mm)	(mm)	(mm)	(mm)	(mm)	(mm)	(mm)	(mm)	(mm)	(mm)	(mm)	Hx	(mm)	(mm)
											(mm)		
20	20	65	65	75	14.0	117	96	162	12	1.9	7	15	1.90
25	20	80	65	80	17.5	133	108	162	16	1.9	10	20	1.90
25	25	80	65	80	17.5	133	108	162	16	1.9	10	20	1.90
32	20	80	65	84	21.5	142	120	162	19	2.4	10	20	1.90
32	25	80	65	84	21.5	142	120	162	19	2.4	10	20	1.90
32	32	88	87	107	21.5	145	120	160	19	2.4	13	25	2.40



d (mm)	d1 (mm)	D (mm)	D2 (mm)	H (mm)	H1 (mm)	L (mm)	L1 (mm)	L3 (mm)	L4 (mm)	e (mm)	Lift = Hx (mm)	DN2 (mm)	e1 (mm)
40	20	88	87	115	21.5	149	128	180	23	2.4	13	25	1.90
40	25	88	87	115	21.5	149	128	180	23	2.4	13	25	1.90
40	32	88	87	115	21.5	149	128	180	23	2.4	13	25	2.40
40	40	88	87	115	21.5	174	153	180	23	2.4	13	25	2.40
50	20	80	65	97	17.5	160	134	180	27	3.0	10	20	1.90
50	25	88	87	120	21.5	160	134	180	28	3.0	13	25	1.90
50	32	88	87	120	21.5	160	134	180	28	3.0	13	25	2.40
50	40	144	135	164	32.0	209	169	209	33	3.0	25	50	2.40
50	50	144	135	164	32.0	209	169	209	33	3.0	25	50	3.00
63	20	80	65	104	17.5	177	144	180	33	3.0	10	20	1.90
63	25	88	87	127	21.5	177	144	180	35	3.0	13	25	1.90
63	32	88	87	127	21.5	177	144	180	35	3.0	13	25	2.40
63	40	144	135	170	39.0	225	192	220	39	3.0	25	50	2.40
63	50	144	135	170	39.0	225	192	220	39	3.0	25	50	3.00
63	63	144	135	170	39.0	225	192	220	39	3.0	25	50	3.00
90	20	88	87	140	21.5	205	159	190	47	4.3	13	25	1.90
90	25	88	87	140	21.5	205	159	190	47	4.3	13	25	1.90
90	32	88	87	140	21.5	205	159	190	47	4.3	13	25	2.40
90	50	144	135	184	39.0	254	207	250	51	4.3	25	50	3.00
90	63	144	135	184	39.0	254	207	250	51	4.3	25	50	3.00
110	20	88	87	149	21.5	227	171	190	56	5.3	13	25	1.90
110	25	88	87	149	21.5	227	171	190	56	5.3	13	25	1.90
110	32	88	87	149	21.5	227	171	190	56	5.3	13	25	2.40
110	50	144	135	194	39.0	276	219	250	60	5.3	25	50	3.00
110	63	144	135	194	39.0	276	219	250	60	5.3	25	50	3.00
140	32	87	87	155	21.5	258	186	310	70	6.7	12	25	2.40
140	40	144	135	204	39.0	291	219	310	78	6.7	25	50	2.40
140	50	144	135	204	39.0	291	219	310	78	6.7	25	50	3.00
140	63	144	135	204	39.0	291	219	310	78	6.7	25	50	3.00
160	32	87	87	161	21.5	278	196	310	81	7.7	12	25	2.40
160	40	144	135	213	39.0	301	219	310	87	7.7	25	50	2.40
160	50	144	135	213	39.0	301	219	310	87	7.7	25	50	3.00
160	63	144	135	213	39.0	301	219	310	87	7.7	25	50	3.00

SYGEF Plus Diaphragm valve type 519
With butt fusion spigots metric SDR21

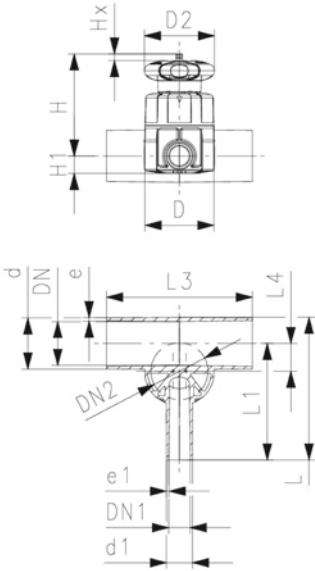


Model:

- Material: PVDF-HP
- Ideally suited for High Purity applications, not recommended for oxidizing acids
- Double flow rate compared to predecessor
- One housing nut replaces four screws
- Handwheel with built-in locking mechanism
- Smallest possible dead space
- **For water use only**

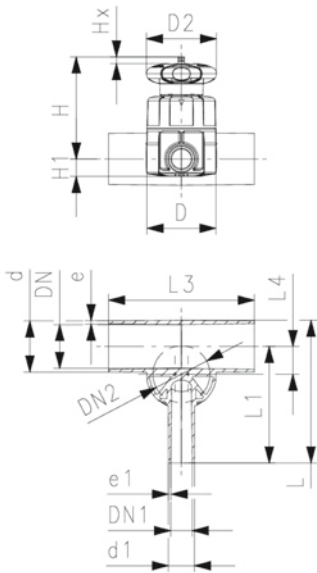
Option:

- Individual configuration of the valve
- Self adjusting multifunctional module with integrated limit switches



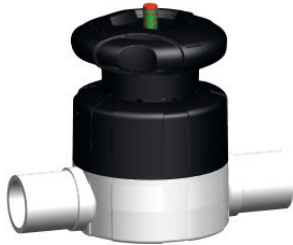
d	d1	DN	DN1	DN2	PN	kv-value	Size	Valve	PTFE/	Weight
(mm)	(mm)	(mm)	(mm)	(mm)	(bar)	($\Delta p=1$ bar)	(inch)	Size d	EPDM*	(kg)
						(L/min)		(mm)	Code	
20	20	15	15	15	16	57	½	20	180 519 301	0.350
25	20	20	15	20	16	89	¾	25	180 519 303	0.476
25	25	20	20	20	16	118	¾	25	180 519 304	0.633
32	20	25	15	20	16	80	1	25	180 519 307	0.692
32	25	25	20	20	16	105	1	25	180 519 308	0.721
32	32	25	25	25	16	231	1	32	180 519 309	0.889
40	20	32	15	25	16	85	1 ¼	32	180 519 312	0.963
40	25	32	20	25	16	119	1 ¼	32	180 519 313	0.812
40	32	32	25	25	16	153	1 ¼	32	180 519 314	0.845
40	40	32	32	25	16	187	1 ¼	32	180 519 315	0.866
50	20	40	15	20	16	86	1 ½	25	180 519 318	0.789
50	25	40	20	25	16	160	1 ½	32	180 519 319	0.905
50	32	40	25	25	16	206	1 ½	32	180 519 320	0.926
50	40	40	32	50	16	524	1 ½	63	180 519 321	2.381
50	50	40	40	50	16	667	1 ½	63	180 519 322	2.387
63	20	50	15	20	16	84	2	25	180 519 325	0.784
63	25	50	20	25	16	150	2	32	180 519 326	1.411
63	32	50	25	25	16	184	2	32	180 519 327	1.018
63	40	50	32	50	16	471	2	63	180 519 328	2.606
63	50	50	40	50	16	610	2	63	180 519 329	2.884
63	63	50	50	50	16	747	2	63	180 519 330	2.653
90	20	80	15	25	16	82	3	32	180 519 341	1.304
90	25	80	20	25	16	103	3	32	180 519 342	1.703
90	32	80	25	25	16	129	3	32	180 519 343	1.719
90	50	80	40	50	16	623	3	63	180 519 345	3.164
90	63	80	50	50	16	696	3	63	180 519 346	3.172
110	20	100	15	25	16	78	4	32	180 519 351	1.966
110	25	100	20	25	16	103	4	32	180 519 352	1.972
110	32	100	25	25	16	131	4	32	180 519 353	1.975
110	50	100	40	50	16	604	4	63	180 519 355	3.491
110	63	100	50	50	16	661	4	63	180 519 356	3.580

d	D	D2	H	H1	L	L1	L3	L4	e	e1	Lift =	closest
(mm)	(mm)	(mm)	(mm)	(mm)	(mm)	(mm)	(mm)	(mm)	(mm)	(mm)	Hx	inch
											(mm)	(inch)
20	65	65	75	14.0	117	96	162	12	1.9	1.9	7	½
25	80	65	80	17.5	133	108	162	16	1.9	1.9	10	¾
25	80	65	80	17.5	133	108	162	16	1.9	1.9	10	¾
32	80	65	84	21.5	142	120	162	19	2.4	1.9	10	1
32	80	65	84	21.5	142	120	162	19	2.4	1.9	10	1
32	88	87	107	21.5	145	120	160	19	2.4	2.4	13	1
40	88	87	115	21.5	149	128	180	23	2.4	1.9	13	1 ¼
40	88	87	115	21.5	149	128	180	23	2.4	1.9	13	1 ¼
40	88	87	115	21.5	149	128	180	23	2.4	2.4	13	1 ¼
40	88	87	115	21.5	174	153	180	23	2.4	2.4	13	1 ¼
50	80	65	97	17.5	160	134	180	27	3.0	1.9	10	1 ½
50	88	87	120	21.5	160	134	180	28	3.0	1.9	13	1 ½
50	88	87	120	21.5	160	134	180	28	3.0	2.4	13	1 ½



d (mm)	D (mm)	D2 (mm)	H (mm)	H1 (mm)	L (mm)	L1 (mm)	L3 (mm)	L4 (mm)	e (mm)	e1 (mm)	Lift = Hx (mm)	closest inch (inch)
50	144	135	164	32.0	209	169	209	33	3.0	2.4	25	1 ½
50	144	135	164	32.0	209	169	209	33	3.0	3.0	25	1 ½
63	80	65	104	17.5	177	144	180	33	3.0	1.9	10	2
63	88	87	127	21.5	177	144	180	35	3.0	1.9	13	2
63	88	87	127	21.5	177	144	180	35	3.0	2.4	13	2
63	144	135	170	39.0	225	192	220	39	3.0	2.4	25	2
63	144	135	170	39.0	225	192	220	39	3.0	3.0	25	2
63	144	135	170	39.0	225	192	220	39	3.0	3.0	25	2
90	88	87	140	21.5	205	159	190	47	4.3	1.9	13	3
90	88	87	140	21.5	205	159	190	47	4.3	1.9	13	3
90	88	87	140	21.5	205	159	190	47	4.3	2.4	13	3
90	144	135	184	39.0	254	207	250	51	4.3	3.0	25	3
90	144	135	184	39.0	254	207	250	51	4.3	3.0	25	3
110	88	87	149	21.5	227	171	190	56	5.3	1.9	13	4
110	88	87	149	21.5	227	171	190	56	5.3	1.9	13	4
110	88	87	149	21.5	227	171	190	56	5.3	2.4	13	4
110	144	135	194	39.0	276	219	250	60	5.3	3.0	25	4
110	144	135	194	39.0	276	219	250	60	5.3	3.0	25	4

SYGEF Plus Diaphragm valve type 515 With butt fusion spigots metric



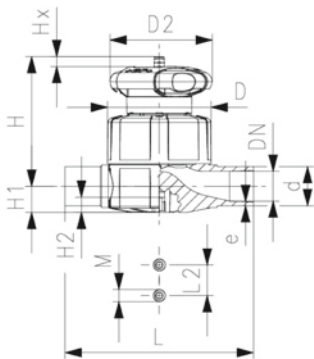
Model:

- Material: PVDF-HP
- Ideally suited for High Purity applications, not recommended for oxidizing acids
- Double flow rate compared to predecessor
- One housing nut replaces four screws
- Handwheel with built-in locking mechanism
- Overall length EN 558
- **For water use only**

Option:

- Individual configuration of the valve
- Self adjusting multifunctional module with integrated limit switches

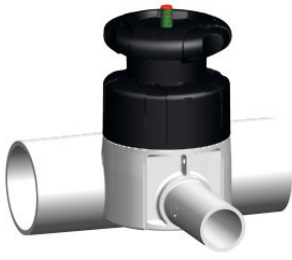
*O-ring material: FKM white



d (mm)	DN (mm)	PN (bar)	kv-value ($\Delta p=1$ bar) (l/min)	PTFE/ EPDM* Code	Weight (kg)
20	15	16	125	180 515 132	0.295
25	20	16	271	180 515 133	0.438
32	25	16	481	180 515 134	0.870
40	32	16	759	180 515 135	0.944
50	40	16	1263	180 515 136	1.846
63	50	16	1728	180 515 137	2.512

d (mm)	D (mm)	D2 (mm)	H (mm)	H1 (mm)	H2 (mm)	L (mm)	L2 (mm)	M	e (mm)	Lift = Hx (mm)	closest inch (inch)
20	65	65	73	14	12	124	25	M4	1.9	7	½
25	80	65	81	18	12	144	25	M4	1.9	10	¾
32	88	87	107	22	12	155	25	M4	2.4	13	1
40	101	87	115	26	15	176	45	M8	2.4	15	1 ¼
50	117	135	148	32	15	193	45	M8	3.0	19	1 ½
63	144	135	166	39	15	223	45	M8	3.0	25	2

SYGEF Plus Diaphragm valve type 519
With butt fusion spigots metric SDR21

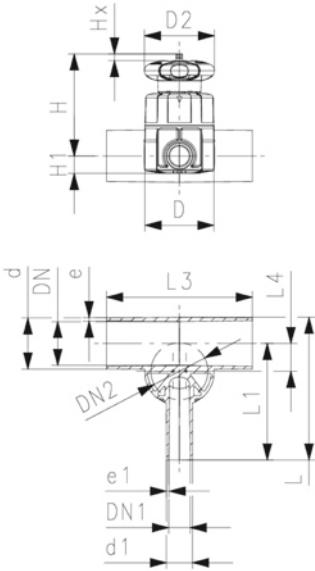


Model:

- Material: PVDF-HP
- Ideally suited for High Purity applications, not recommended for oxidizing acids
- Double flow rate compared to predecessor
- One housing nut replaces four screws
- Handwheel with built-in locking mechanism
- Smallest possible dead space
- **For water use only**

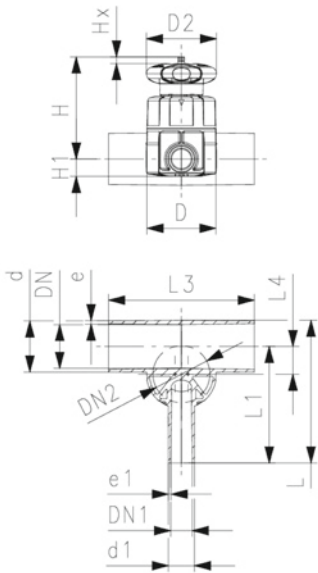
Option:

- Individual configuration of the valve
- Self adjusting multifunctional module with integrated limit switches



d (mm)	d1 (mm)	DN (mm)	DN1 (mm)	DN2 (mm)	PN (bar)	kv-value ($\Delta p=1$ bar) (L/min)	Size (inch)	Valve Size d (mm)	PTFE/ EPDM* Code	Weight (kg)
20	20	15	15	15	16	57	½	20	180 519 301	0.350
25	20	20	15	20	16	89	¾	25	180 519 303	0.476
25	25	20	20	20	16	118	¾	25	180 519 304	0.633
32	20	25	15	20	16	80	1	25	180 519 307	0.692
32	25	25	20	20	16	105	1	25	180 519 308	0.721
32	32	25	25	25	16	231	1	32	180 519 309	0.889
40	20	32	15	25	16	85	1 ¼	32	180 519 312	0.963
40	25	32	20	25	16	119	1 ¼	32	180 519 313	0.812
40	32	32	25	25	16	153	1 ¼	32	180 519 314	0.845
40	40	32	32	25	16	187	1 ¼	32	180 519 315	0.866
50	20	40	15	20	16	86	1 ½	25	180 519 318	0.789
50	25	40	20	25	16	160	1 ½	32	180 519 319	0.905
50	32	40	25	25	16	206	1 ½	32	180 519 320	0.926
50	40	40	32	50	16	524	1 ½	63	180 519 321	2.381
50	50	40	40	50	16	667	1 ½	63	180 519 322	2.387
63	20	50	15	20	16	84	2	25	180 519 325	0.784
63	25	50	20	25	16	150	2	32	180 519 326	1.411
63	32	50	25	25	16	184	2	32	180 519 327	1.018
63	40	50	32	50	16	471	2	63	180 519 328	2.606
63	50	50	40	50	16	610	2	63	180 519 329	2.884
63	63	50	50	50	16	747	2	63	180 519 330	2.653
90	20	80	15	25	16	82	3	32	180 519 341	1.304
90	25	80	20	25	16	103	3	32	180 519 342	1.703
90	32	80	25	25	16	129	3	32	180 519 343	1.719
90	50	80	40	50	16	623	3	63	180 519 345	3.164
90	63	80	50	50	16	696	3	63	180 519 346	3.172
110	20	100	15	25	16	78	4	32	180 519 351	1.966
110	25	100	20	25	16	103	4	32	180 519 352	1.972
110	32	100	25	25	16	131	4	32	180 519 353	1.975
110	50	100	40	50	16	604	4	63	180 519 355	3.491
110	63	100	50	50	16	661	4	63	180 519 356	3.580

d (mm)	D (mm)	D2 (mm)	H (mm)	H1 (mm)	L (mm)	L1 (mm)	L3 (mm)	L4 (mm)	e (mm)	e1 (mm)	Lift = Hx (mm)	closest inch (inch)
20	65	65	75	14.0	117	96	162	12	1.9	1.9	7	½
25	80	65	80	17.5	133	108	162	16	1.9	1.9	10	¾
25	80	65	80	17.5	133	108	162	16	1.9	1.9	10	¾
32	80	65	84	21.5	142	120	162	19	2.4	1.9	10	1
32	80	65	84	21.5	142	120	162	19	2.4	1.9	10	1
32	88	87	107	21.5	145	120	160	19	2.4	2.4	13	1
40	88	87	115	21.5	149	128	180	23	2.4	1.9	13	1 ¼
40	88	87	115	21.5	149	128	180	23	2.4	1.9	13	1 ¼
40	88	87	115	21.5	149	128	180	23	2.4	2.4	13	1 ¼
40	88	87	115	21.5	174	153	180	23	2.4	2.4	13	1 ¼
50	80	65	97	17.5	160	134	180	27	3.0	1.9	10	1 ½
50	88	87	120	21.5	160	134	180	28	3.0	1.9	13	1 ½
50	88	87	120	21.5	160	134	180	28	3.0	2.4	13	1 ½



d (mm)	D (mm)	D2 (mm)	H (mm)	H1 (mm)	L (mm)	L1 (mm)	L3 (mm)	L4 (mm)	e (mm)	e1 (mm)	Lift = Hx (mm)	closest inch (inch)
50	144	135	164	32.0	209	169	209	33	3.0	2.4	25	1 ½
50	144	135	164	32.0	209	169	209	33	3.0	3.0	25	1 ½
63	80	65	104	17.5	177	144	180	33	3.0	1.9	10	2
63	88	87	127	21.5	177	144	180	35	3.0	1.9	13	2
63	88	87	127	21.5	177	144	180	35	3.0	2.4	13	2
63	144	135	170	39.0	225	192	220	39	3.0	2.4	25	2
63	144	135	170	39.0	225	192	220	39	3.0	3.0	25	2
63	144	135	170	39.0	225	192	220	39	3.0	3.0	25	2
90	88	87	140	21.5	205	159	190	47	4.3	1.9	13	3
90	88	87	140	21.5	205	159	190	47	4.3	1.9	13	3
90	88	87	140	21.5	205	159	190	47	4.3	2.4	13	3
90	144	135	184	39.0	254	207	250	51	4.3	3.0	25	3
90	144	135	184	39.0	254	207	250	51	4.3	3.0	25	3
110	88	87	149	21.5	227	171	190	56	5.3	1.9	13	4
110	88	87	149	21.5	227	171	190	56	5.3	1.9	13	4
110	88	87	149	21.5	227	171	190	56	5.3	2.4	13	4
110	144	135	194	39.0	276	219	250	60	5.3	3.0	25	4
110	144	135	194	39.0	276	219	250	60	5.3	3.0	25	4



SYGEF Plus Diaphragm valve type 317
With flanges metric

Model:

- Material: PVDF-HP
- DN 15-65 with backing flange
- DN 80-150 with fixed flange
- Overall length according to EN 558
- Diaphragm, PTFE with EPDM backing diaphragm (FDA compliant)

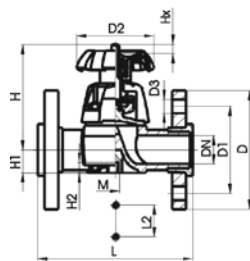
Option:

- Handwheel with built-in locking mechanism (standard version is nonlockable)

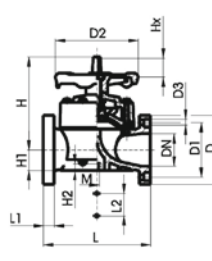
* **DN80 and DN150 fixed flanges metric and inch ANSI B16.5**

d (mm)	DN (mm)	Size (inch)	PN (bar)	kv-value (Δp=1 bar) (l/min)	PTFE/EPDM Code	Weight (kg)
75	65	2 ½	10	992	175 317 453	5.700
*	90	80	3	1700	175 317 054	11.057
	110	100	4	2700	175 317 055	16.112
*	160	150	6	6033	175 317 057	31.000

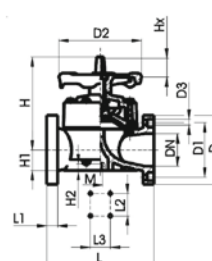
d (mm)	D (mm)	D1 (mm)	D2 (mm)	D3 (mm)	H (mm)	H1 (mm)	H2 (mm)	L (mm)	L1 (mm)	L2 (mm)	M	AL
75	185	145	152	18	201	46	15	290		70	M8	4
*	90	200	152	270	18	265	57	310	35	120	M12	8
	110	225	180	270	18	302	68	350	35	120	M12	8
*	160	285	240	400	22	437	108	480	26	100	M12	8



DN 15-65



DN 80-100



DN 150



SYGEF Plus Diaphragm valve type 317 Flanged version Inch ANSI

Model:

- Material: PVDF-HP
- DN 15-65 with backing flange
- DN 80-150 with fixed flange
- Overall length according to EN 558
- Diaphragm, PTFE with EPDM backing diaphragm (FDA compliant)

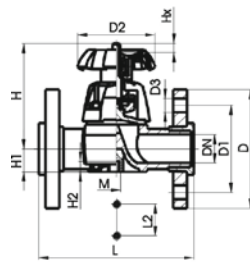
Option:

- Handwheel with built-in locking mechanism (standard version is nonlockable)

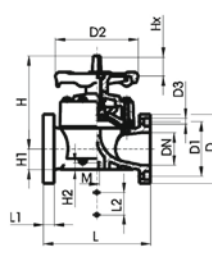
* DN80 and DN150 fixed flanges metric and inch ANSI B16.5

	d (mm)	Size (inch)	DN (mm)	PN (bar)	kv-value ($\Delta p=1$ bar) (l/min)	PTFE with EPDM supp. Diaphragm Code	Weight (kg)
	75	2 1/2	65	10	992	175 317 568	5.700
*	90	3	80	10	1700	175 317 054	11.057
	110	4	100	10	2700	175 317 355	14.950

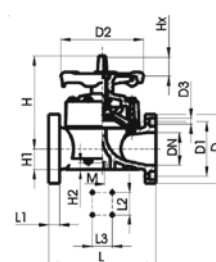
	d (mm)	D (mm)	D1 (mm)	D2 (mm)	D3 (mm)	H (mm)	H1 (mm)	H2 (mm)	L (mm)	L1 (mm)	L2 (mm)	M	AL
	75	185	140	152	18	201	46	15	290		70	M8	4
*	90	200	152	270	18	265	57	23	310	35	120	M12	8
	110	225	191	270	18	302	68	23	350	35	120	M12	8



DN 15-65



DN 80-100



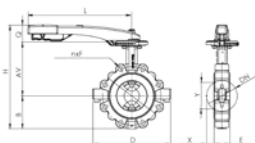
DN 150

SYGEF Plus Lug-style, end installation butterfly valve type 065 PVDF-HP, with hand lever Flange standard ANSI/ASME

Model:

- ANSI 150 Lug Connection
- PTFE liner
- PFA overmoulded stainless steel disk
- Tightness test according to EN 12266-1 leakage rate A or API 598

d (mm)	DN (mm)	Size (inch)	PN (bar)	Code	Weight (kg)	AV (mm)	B (mm)	D (mm)	E (mm)	H (mm)	L (mm)	Q (mm)	X (mm)	Y (mm)
63	50	2	16	160 065 000	3.600	138	68	162	43	262	210	56	9	26
90	80	3	16	160 065 002	6.600	164	92	216	46	312	210	56	17	66
110	100	4	16	160 065 003	9.800	179	107	254	52	352	340	66	24	86
160	150	6	16	160 065 004	13.500	214	134	315	56	414	340	66	47	140

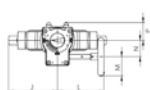
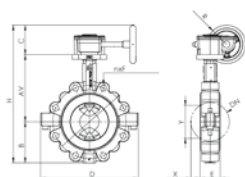




SYGEF Plus Lug-style, end installation butterfly valve type 065
PVDF-HP, with gear box
Flange standard ANSI/ASME

Model:

- ANSI 150 Lug Connection
- PTFE liner
- PFA overmoulded stainless steel disk
- Tightness test according to EN 12266-1 leakage rate A or API 598



d	DN	Size	PN	Inch	Code	Weight
(mm)	(mm)	(inch)	(bar)	(inch)		(kg)
63	50	2	16	2	160 065 200	4.000
90	80	3	16	3	160 065 202	7.000
110	100	4	16	4	160 065 203	10.100
160	150	6	16	6	160 065 204	13.800
225	200	8	10	8/9	160 065 205	23.200
280	250	10	10	10	160 065 206	33.950
315	300	12	10	12	160 065 207	48.450
355	350	14	6	14	160 065 208	92.400

H	B	AV	C	D	Y	X	E	L	P	N	W
(mm)	(mm)	(mm)	(mm)	(mm)	(mm)	(mm)	(mm)	(mm)	(mm)	(mm)	(mm)
279	68	134	77	162	26	9	43	126	48	43	50
329	92	160	77	216	66	17	46	126	48	43	50
359	107	175	77	254	86	24	52	126	48	43	50
454	134	210	110	315	140	47	56	189	48	43	80
511	162	239	110	389	191	70	60	189	48	43	80
633	199	275	159	483	241	91	68	219	56	50	125
699	230	310	159	543	290	111	78	219	56	50	125
796	254	349	193	564	330	131	78	371	83	80	150



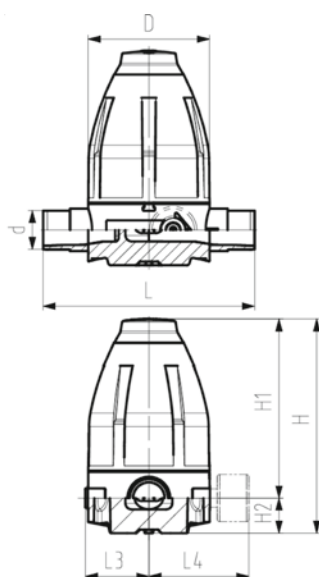
SYGEF Plus Pressure reducing valve type 582
With butt fusion spigots metric
Without manometer

Model:

- Diaphragm PTFE/EPDM
- Integrated stainless steel mounting inserts
- 0.5-9.0 bar (7-130 psi)

0.3-3.0 bar (4-44 psi) on request

Manometer on request



d	DN	Size	PN	O-rings	D	H	H1	H2	H3	L	L3	M	closest inch
(mm)	(mm)	(inch)	(bar)	FKM	(mm)	(mm)	(mm)	(mm)	(mm)	(mm)	(mm)		(inch)
				Code									
20	15	½	10	180 582 012	79	132	111	21	14	150	42	M6	½
25	20	¾	10	180 582 013	100	177	148	29	14	190	53	M6	¾
32	25	1	10	180 582 014	100	177	148	29	14	190	53	M6	1
40	32	1 ¼	10	180 582 015	147	251	207	44	21	240	76	M8	1 ¼
50	40	1 ½	10	180 582 016	147	251	207	44	21	240	76	M8	1 ½
63	50	2	10	180 582 017	147	251	207	44	21	260	76	M8	2

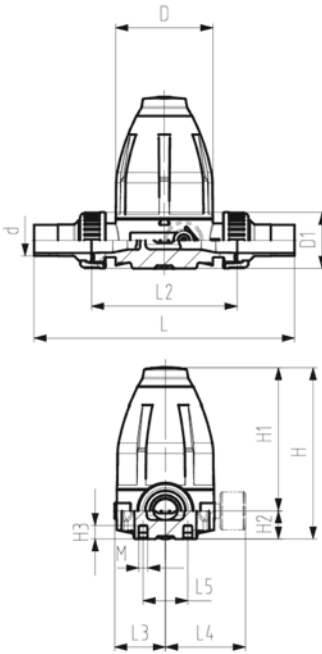
SYGEF Plus Pressure reducing valve type 582
Unions with butt fusion spigots metric
Without manometer



Model:

- Diaphragm PTFE/EPDM
- Integrated stainless steel mounting inserts
- 0.5-9.0 bar (7-130 psi)

0.3-3.0 bar (4-44 psi) on request
 Manometer on request



d (mm)	DN (mm)	Size (inch)	PN (bar)	O-rings FKM Code
20	15	½	10	180 582 512
25	20	¾	10	180 582 513
32	25	1	10	180 582 514
40	32	1 ¼	10	180 582 515
50	40	1 ½	10	180 582 516
63	50	2	10	180 582 517

d (mm)	D (mm)	H (mm)	H1 (mm)	H2 (mm)	H3 (mm)	L (mm)	L2 (mm)	L3 (mm)	L5 (mm)	M	closest inch (inch)
20	79	132	111	21	12	226	120	42	40	M6	½
25	100	177	148	29	14	262	150	53	46	M6	¾
32	100	177	148	29	14	268	150	53	46	M6	1
40	147	251	207	44	21	329	205	76	65	M8	1 ¼
50	147	251	207	44	21	335	205	76	65	M8	1 ½
63	147	251	207	44	21	341	205	76	65	M8	2

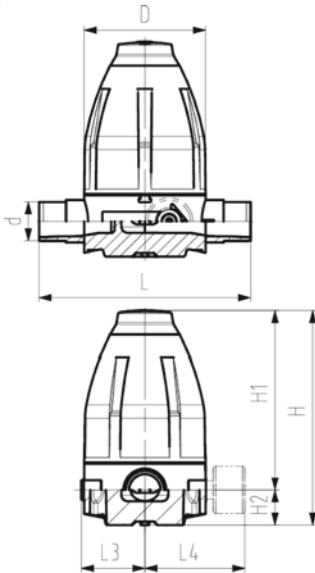


SYGEF Plus Pressure retaining valve type 586
With butt fusion spigots metric
Without manometer

Model:

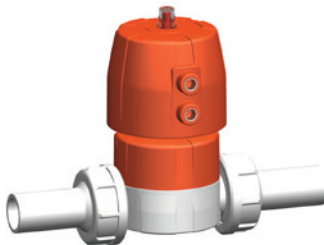
- Diaphragm PTFE/EPDM
- Integrated stainless steel mounting inserts
- 0.5-9.0 bar (7-130 psi)

0.3-3.0 bar (4-44 psi) on request
 Manometer on request



d (mm)	DN (mm)	PN (bar)	O-rings FKM Code	D (mm)	H (mm)	H1 (mm)	H2 (mm)	H3 (mm)	L (mm)	L3 (mm)	M	closest inch (inch)
20	15	10	180 586 012	79	132	111	21	14	150	42	M6	½
25	20	10	180 586 013	100	177	148	29	14	190	53	M6	¾
32	25	10	180 586 014	100	177	148	29	14	190	53	M6	1
40	32	10	180 586 015	147	251	207	44	21	240	76	M8	1 ¼
50	40	10	180 586 016	147	251	207	44	21	240	76	M8	1 ½
63	50	10	180 586 017	147	251	207	44	21	260	76	M8	2

Actuated valves



SYGEF Plus Diaphragm valve DIASTAR Ten
FC (Fail safe to close)
Unions with butt fusion spigots metric

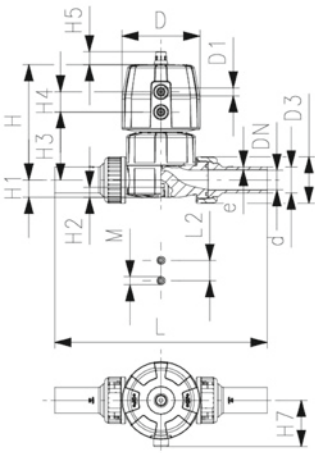
Model:

- Material: PVDF-HP
- Double flow rate compared to predecessor
- One housing nut replaces four screws
- Rotating air connection at 90° intervals
- For easy installation and removal
- Short overall length

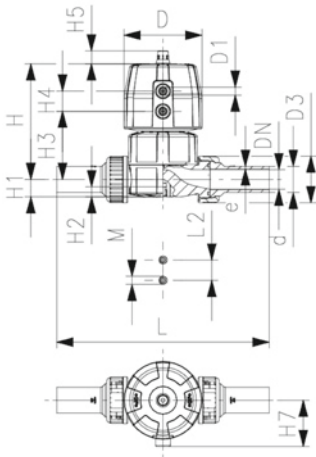
Option:

- Individual configuration of the valve
- Comprehensive range of accessories available

Working Pressure: **one side**
 *O-ring material: FKM white



d (mm)	DN (mm)	PN (bar)	kv-value (Δp=1 bar) (l/min)	PTFE/ EPDM* Code	Weight (kg)	PTFE/FKM* Code	Weight (kg)
20	15	10	125	180 624 132	0.761	180 624 152	1.100
25	20	10	271	180 624 133	1.201	180 624 153	1.760
32	25	10	481	180 624 134	1.563	180 624 154	2.610
40	32	10	759	180 624 135	2.623	180 624 155	3.760
50	40	10	1263	180 624 136	4.323	180 624 156	6.220
63	50	6	1728	180 624 137	5.365	180 624 157	7.800



d (mm)	D (mm)	D1_G (inch)	H (mm)	H1 (mm)	H2 (mm)	H3 (mm)	H4 (mm)	H5 (mm)	H7 (mm)	L (mm)	L2 (mm)	M	e (mm)	Lift = Hx (mm)
20	68	1/4	101	14	12	60	24	16	43	196	25	M6	1.9	7
25	96	3/8	132	18	12	73	25	16	57	221	25	M6	1.9	10
32	96	1/2	143	22	12	84	25	16	57	234	25	M6	2.4	13
40	120	3/4	173	26	15	99	26	26	69	260	45	M8	2.4	15
50	150	1/2	214	32	15	119	36	26	88	284	45	M8	3.0	19
63	150	3/4	226	39	15	132	36	26	88	321	45	M8	3.0	23

d (mm)	closest inch (inch)
20	3/8
25	1/2
32	1
40	1 1/4
50	1 1/2
63	2



**SYGEF Plus Diaphragm valve DIASTAR Ten
FC (Fail safe to close)
With butt fusion spigots metric**

Model:

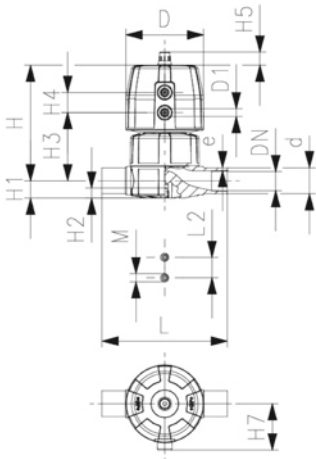
- Material: PVDF-HP
- Double flow rate compared to predecessor
- One housing nut replaces four screws
- Rotating air connection at 90° intervals

Option:

- Individual configuration of the valve
- Comprehensive range of accessories available

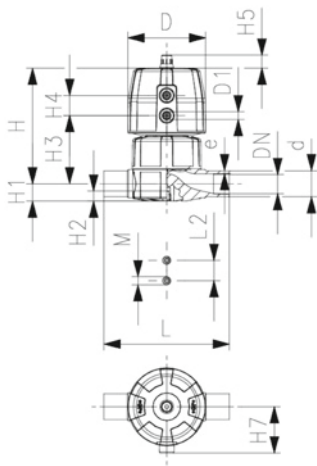
Working Pressure: **one side**

*O-ring material: FKM white

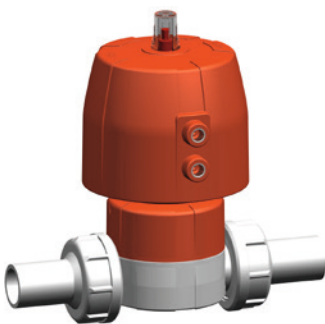


d (mm)	DN (mm)	PN (bar)	kv-value (Δp=1 bar) (l/min)	PTFE/ EPDM* Code	Weight (kg)	PTFE/FKM* Code	Weight (kg)
20	15	10	125	180 625 132	0.668	180 625 152	0.541
25	20	10	271	180 625 133	1.113	180 625 153	1.191
32	25	10	481	180 625 134	1.402	180 625 154	1.403
40	32	10	759	180 625 135	2.242	180 625 155	2.243
50	40	10	1263	180 625 136	4.367	180 625 156	3.826
63	50	6	1728	180 625 137	4.635	180 625 157	4.636

d (mm)	D (mm)	D1_G (inch)	H (mm)	H1 (mm)	H2 (mm)	H3 (mm)	H4 (mm)	H5 (mm)	H7 (mm)	L (mm)	L2 (mm)	M	e (mm)	Lift = Hx (mm)
20	68	1/4	101	14	12	60	24	16	43	124	25	M6	1.9	7
25	96	3/8	132	18	12	73	25	16	57	144	25	M6	1.9	10
32	96	1/2	143	22	12	84	25	16	57	154	25	M6	2.4	13
40	120	3/4	173	26	15	99	26	26	69	174	45	M8	2.4	15
50	150	1/2	214	32	15	119	36	26	88	194	45	M8	3.0	19
63	150	3/4	226	39	15	132	36	26	88	224	45	M8	3.0	23



d (mm)	closest inch (inch)
20	¾
25	1
32	1 ¼
40	1 ½
50	2
63	2 ½



**SYGEF Plus Diaphragm valve DIASTAR Ten
FO (Fail safe to open)
Unions with butt fusion spigots metric**

Model:

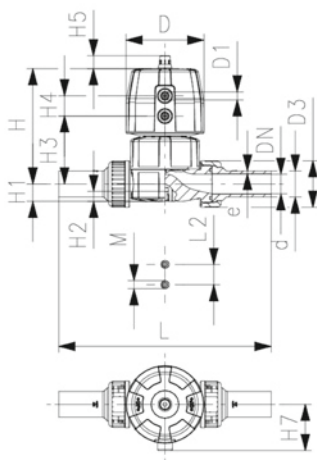
- Material: PVDF-HP
- Double flow rate compared to predecessor
- One housing nut replaces four screws
- Rotating air connection at 90° intervals
- For easy installation and removal
- Short overall length

Option:

- Individual configuration of the valve
- Comprehensive range of accessories available

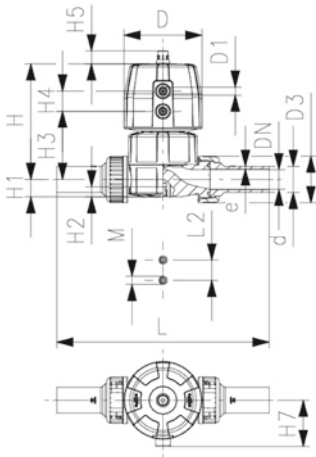
Working Pressure: **one side**

*O-ring material: FKM white



d (mm)	DN (mm)	PN (bar)	kv-value (Δp=1 bar) (l/min)	PTFE/ EPDM* Code	Weight (kg)
20	15	10	125	180 644 132	0.711
25	20	10	271	180 644 133	1.189
32	25	10	481	180 644 134	1.350
40	32	10	759	180 644 135	2.263
50	40	10	1263	180 644 136	4.233
63	50	10	1728	180 644 137	5.275

d (mm)	D (mm)	D1_G (inch)	H (mm)	H1 (mm)	H2 (mm)	H3 (mm)	H4 (mm)	H5 (mm)	H7 (mm)	L (mm)	L2 (mm)	M	e (mm)	Lift = Hx (mm)
20	68	¾	101	14	12	60	24	16	43	196	25	M6	1.9	7
25	96	1	132	18	12	73	25	16	57	221	25	M6	1.9	10
32	96	1	143	22	12	84	25	16	57	234	25	M6	2.4	13
40	120	1 ¼	173	26	15	99	26	26	69	260	45	M8	2.4	15
50	150	1 ½	214	32	15	119	36	26	69	284	45	M8	3.0	19
63	150	1 ½	226	39	15	132	36	26	69	321	45	M8	3.0	23



d (mm)	closest inch (inch)
20	¾
25	1
32	1 ¼
40	1 ½
50	2
63	2 ¼



**SYGEF Plus Diaphragm valve DIASTAR Ten
FO (Fail safe to open)
With butt fusion spigots metric**

Model:

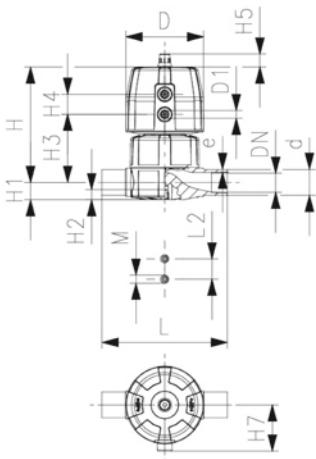
- Material: PVDF-HP
- Double flow rate compared to predecessor
- One housing nut replaces four screws
- Rotating air connection at 90° intervals

Option:

- Individual configuration of the valve
- Comprehensive range of accessories available

Working Pressure: **one side**

*O-ring material: FKM white



d (mm)	DN (mm)	PN (bar)	kv-value (Δp=1 bar) (l/min)	PTFE/ EPDM* Code	Weight (kg)
20	15	10	125	180 645 132	0.618
25	20	10	271	180 645 133	1.016
32	25	10	481	180 645 134	1.222
40	32	10	759	180 645 135	1.882
50	40	10	1263	180 645 136	3.735
63	50	10	1728	180 645 137	4.545

d (mm)	D (mm)	D1_G (inch)	H (mm)	H1 (mm)	H2 (mm)	H3 (mm)	H4 (mm)	H5 (mm)	H7 (mm)	L (mm)	L2 (mm)	M	e (mm)	Lift = Hx (mm)
20	68	¾	101	14	12	60	24	16	43	124	25	M6	1.9	7
25	96	1	132	18	12	73	25	16	57	144	25	M6	1.9	10
32	96	1	143	22	12	84	25	16	57	154	25	M6	2.4	13
40	120	1 ¼	173	26	15	99	26	26	69	174	45	M8	2.4	15
50	150	1 ½	214	32	15	119	36	26	88	194	45	M8	3.0	19
63	150	1 ½	226	39	15	132	36	26	88	224	45	M8	3.0	23

d (mm)	closest inch (inch)
20	¾
25	1
32	1 ¼
40	1 ½
50	2
63	2 ¼



**SYGEF Plus Diaphragm valve DIASTAR Ten
DA (Double acting)
With butt fusion spigots metric**

Model:

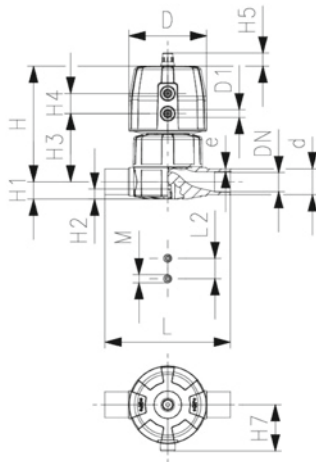
- Material: PVDF-HP
- Double flow rate compared to predecessor
- One housing nut replaces four screws
- Rotating air connection at 90° intervals

Option:

- Individual configuration of the valve
- Comprehensive range of accessories available

Working Pressure: **one side**

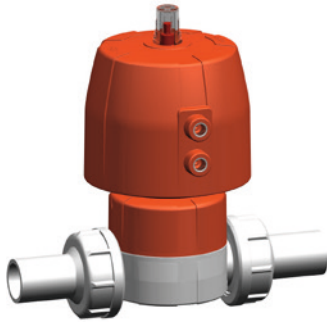
* O-Ring material: FKM



d (mm)	DN (mm)	PN (bar)	kv-value ($\Delta p=1$ bar) (l/min)	PTFE/ EPDM* Code	SP	Weight (kg)
20	15	10	125	180 655 132	1	0.602
25	20	10	271	180 655 133	1	0.980
32	25	10	481	180 655 134	1	1.192
40	32	10	759	180 655 135	1	1.822
50	40	10	1263	180 655 136	1	2.985
63	50	10	1728	180 655 137	1	4.635

d (mm)	D (mm)	D1_G (inch)	H (mm)	H1 (mm)	H2 (mm)	H3 (mm)	H4 (mm)	H5 (mm)	H7 (mm)	L (mm)	L2 (mm)	M	e (mm)	Lift = Hx (mm)
20	68	1/8	101	14	12	60	24	16	43	124	25	M6	1.9	7
25	96	1/8	132	18	12	73	25	16	57	144	25	M6	1.9	10
32	96	1/8	143	22	12	84	25	16	57	154	25	M6	2.4	13
40	120	1/8	173	26	15	99	26	26	69	174	45	M8	2.4	15
50	150	1/4	214	32	15	119	36	26	88	194	45	M8	3.0	19
63	150	1/4	226	39	15	132	36	26	88	224	45	M8	3.0	23

d (mm)	closest inch (inch)
20	1/2
25	3/4
32	1
40	1 1/4
50	1 1/2
63	2



**SYGEF Plus Diaphragm valve DIASTAR Ten
DA (Double acting)
Unions with butt fusion spigots metric**

Model:

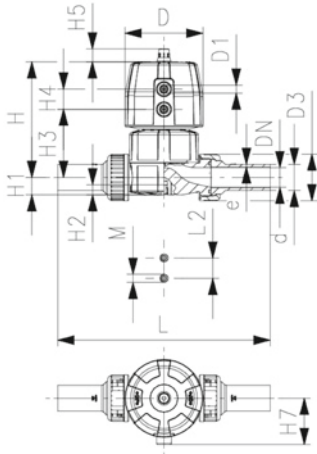
- Material: PVDF-HP
- Double flow rate compared to predecessor
- One housing nut replaces four screws
- Rotating air connection at 90° intervals
- For easy installation and removal
- Short overall length

Option:

- Individual configuration of the valve
- Comprehensive range of accessories available

Working Pressure: **one side**

*O-ring material: FKM white



d (mm)	DN (mm)	Size (inch)	PN (bar)	kv-value (Δp=1 bar) (l/min)	PTFE/ EPDM* Code	SP	Weight (kg)
20	15	½	10	125	180 654 132	1	0.695
25	20	¾	10	271	180 654 133	1	1.153
32	25	1	10	481	180 654 134	1	1.396
40	32	1 ¼	10	759	180 654 135	1	2.203
50	40	1 ½	10	1263	180 654 136	1	3.483
63	50	2	10	1728	180 654 137	1	4.525

d (mm)	D (mm)	D1_G (inch)	H (mm)	H1 (mm)	H2 (mm)	H3 (mm)	H4 (mm)	H5 (mm)	H7 (mm)	L (mm)	L2 (mm)	M	e (mm)	Lift = Hx (mm)
20	68	¾	101	14	12	60	24	16	43	196	25	M6	1.9	7
25	96	¾	132	18	12	73	25	16	57	221	25	M6	1.9	10
32	96	¾	143	22	12	84	25	16	57	234	25	M6	2.4	13
40	120	¾	173	26	15	99	26	26	69	260	45	M8	2.4	15
50	150	¾	214	32	15	119	36	26	69	284	45	M8	3.0	19
63	150	¾	226	39	15	132	36	26	69	321	45	M8	3.0	23

d (mm)	closest inch (inch)
20	¾
25	¾
32	1
40	1 ¼
50	1 ½
63	2



SYGEF Plus
Diaphragm valve DIASTAR Sixteen
FC (Fail safe to close)
Unions with butt fusion spigots metric

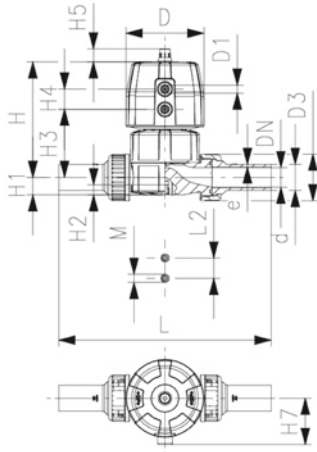
Model:

- Material: PVDF-HP
- Double flow rate compared to predecessor
- One housing nut replaces four screws
- Rotating air connection at 90° intervals
- For easy installation and removal
- Short overall length
- Ideally suited for High Purity applications, not recommended for oxidizing acids
- **For water use only**

Option:

- Individual configuration of the valve
- Comprehensive range of accessories available

*O-ring material: FKM white



d (mm)	DN (mm)	PN (bar)	kv-value ($\Delta p=1$ bar) (l/min)	PTFE/ EPDM* Code	SP	Weight (kg)
20	15	16	125	180 634 132	1	1.172
25	20	16	271	180 634 133	1	1.381
32	25	16	481	180 634 134	1	2.225
40	32	16	759	180 634 135	1	3.730
50	40	16	1263	180 634 136	1	5.786
63	50	10	1728	180 634 137	1	6.880

d (mm)	D (mm)	D1_G (inch)	H (mm)	H1 (mm)	H2 (mm)	H3 (mm)	H4 (mm)	H5 (mm)	H7 (mm)	L (mm)	L2 (mm)	M	e (mm)	Lift = Hx (mm)
20	96	⅜	127	14	12	68	25	16	57	196	25	M6	1.9	7
25	96	⅜	132	18	12	73	25	16	57	221	25	M6	1.9	10
32	120	⅜	167	22	12	93	26	26	69	234	25	M6	2.4	13
40	150	⅜	196	26	15	101	36	26	88	260	45	M8	2.4	15
50	180	⅜	239	32	15	124	37	26	103	284	45	M8	3.0	19
63	180	⅜	251	39	15	137	37	26	103	321	45	M8	3.0	23

d (mm)	closest inch (inch)
20	⅓
25	⅜
32	1
40	1 ¼
50	1 ½
63	2



SYGEF Plus
Diaphragm valve DIASTAR Sixteen
FC (Fail safe to close)
With butt fusion spigots metric

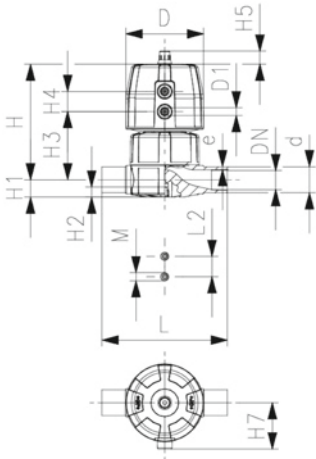
Model:

- Material: PVDF-HP
- Ideally suited for High Purity applications, not recommended for oxidizing acids
- Double flow rate compared to predecessor
- One housing nut replaces four screws
- Rotating air connection at 90° intervals
- **For water use only**

Option:

- Individual configuration of the valve
- Comprehensive range of accessories available

*O-ring material: FKM white



d (mm)	DN (mm)	PN (bar)	kv-value ($\Delta p=1$ bar) (l/min)	PTFE/ EPDM* Code	SP	Weight (kg)
20	15	16	125	180 635 132	1	1.259
25	20	16	271	180 635 133	1	1.208
32	25	16	481	180 635 134	1	2.021
40	32	16	759	180 635 135	1	3.349
50	40	16	1263	180 635 136	1	5.288
63	50	10	1728	180 635 137	1	6.150

d (mm)	D (mm)	D1_G (inch)	H (mm)	H1 (mm)	H2 (mm)	H3 (mm)	H4 (mm)	H5 (mm)	H7 (mm)	L (mm)	L2 (mm)	M	e (mm)	Lift = Hx (mm)
20	96	3/8	127	14	12	68	25	16	57	124	25	M6	1.9	7
25	96	3/8	132	18	12	73	25	16	57	144	25	M6	1.9	10
32	120	1/2	167	22	12	93	26	26	69	154	25	M6	2.4	13
40	150	1/2	196	26	15	101	36	26	88	174	45	M8	2.4	15
50	180	3/4	239	32	15	124	37	26	103	194	45	M8	3.0	19
63	180	3/4	251	39	15	137	37	26	103	224	45	M8	3.0	23

d (mm)	closest inch (inch)
20	3/8
25	3/8
32	1
40	1 1/4
50	1 1/2
63	2



**SYGEF Plus Diaphragm valve DIASTAR Sixteen
FC (Fail safe to close)
With butt fusion spigots metric SDR21**

Model:

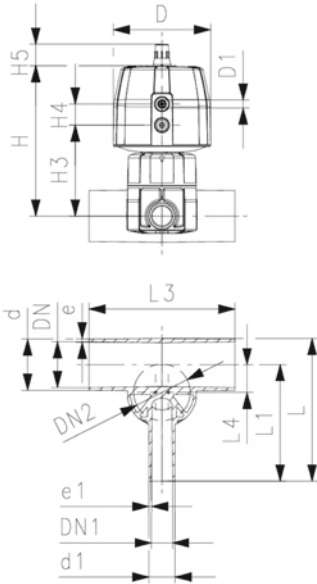
- Material: PVDF-HP
- Double flow rate compared to predecessor
- One housing nut replaces four screws
- Rotating air connection at 90° intervals
- Smallest possible dead space
- Ideally suited for High Purity applications, not recommended for oxidizing acids
- **For water use only**

Option:

- Individual configuration of the valve
- Comprehensive range of accessories available

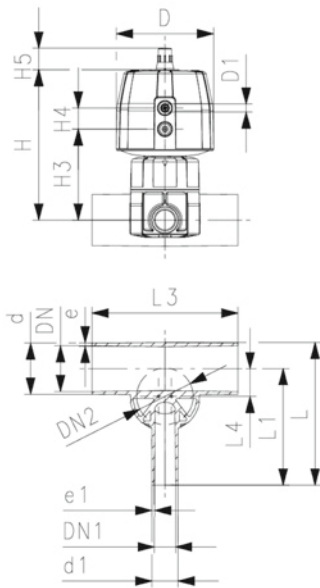
* Available on request

*O-ring material: FKM white

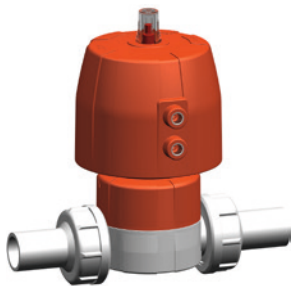


d (mm)	d1 (mm)	DN (mm)	DN1 (mm)	Size (inch)	PN (bar)	kv-value (Δp=1 bar) (L/min)	Valve Size d (mm)	PTFE/ EPDM* Code	SP	Weight (kg)
20	20	15	15	½	16	57	20	180 639 301	1	1.112
25	20	20	15	¾	16	89	25	180 639 303	1	1.230
25	25	20	20	¾	16	118	25	180 639 304	1	1.233
32	20	25	15	1	16	80	25	180 639 307	1	1.283
32	25	25	20	1	16	105	25	180 639 308	1	1.287
32	32	25	25	1	16	231	32	180 639 309	1	2.063
40	20	32	15	1 ¼	16	85	32	180 639 312	1	2.117
40	25	32	20	1 ¼	16	119	32	180 639 313	1	2.121
40	32	32	25	1 ¼	16	153	32	180 639 314	1	2.139
40	40	32	32	1 ¼	16	187	32	180 639 315	1	2.168
50	20	40	15	1 ½	16	86	25	180 639 318	1	1.402
50	25	40	20	1 ½	16	160	32	180 639 319	1	2.207
50	32	40	25	1 ½	16	206	32	180 639 320	1	2.212
50	40	40	32	1 ½	10	524	63	180 639 321	1	6.022
50	50	40	40	1 ½	10	667	63	180 639 322	1	6.032
63	20	50	15	2	16	84	25	180 639 325	1	1.479
63	25	50	20	2	16	150	32	180 639 326	1	2.292
63	32	50	25	2	16	184	32	180 639 327	1	2.298
63	40	50	32	2	16	471	63	180 639 328	1	6.199
63	50	50	40	2	16	610	63	180 639 329	1	6.264
63	63	50	50	2	16	747	63	180 639 330	1	6.277
90	20	80	15	3	16	82	32	180 639 341	1	2.577
90	25	80	20	3	16	103	32	180 639 342	1	2.584
90	32	80	25	3	16	129	32	180 639 343	1	2.600
90	50	80	40	3	10	623	63	180 639 345	1	6.717
90	63	80	50	3	10	696	63	180 639 346	1	6.745
110	20	100	15	4	16	78	32	180 639 351	1	2.847
110	25	100	20	4	16	103	32	180 639 352	1	2.853
110	32	100	25	4	16	131	32	180 639 353	1	2.870
110	50	100	40	4	10	604	63	180 639 355	1	7.133
110	63	100	50	4	10	661	63	180 639 356	1	7.163

d (mm)	D (mm)	D1 (inch)	H (mm)	H3 (mm)	H4 (mm)	H5 (mm)	L (mm)	L1 (mm)	L3 (mm)	L4 (mm)	e (mm)	Lift = Hx (mm)	DN2 (mm)	e1 (mm)
20	96	¾	130	71	25	16	117	96	162	12	1.9	7	15	2
25	96	¾	131	72	25	16	133	108	162	16	1.9	10	20	2
25	96	¾	131	72	25	16	133	108	162	16	1.9	10	20	2
32	96	¾	135	76	25	16	142	120	162	19	2.4	10	20	2
32	96	¾	135	76	25	16	142	120	162	19	2.4	10	20	2
32	120	½	167	93	26	26	145	120	160	19	2.4	13	25	2
40	120	½	175	101	26	26	149	128	180	23	2.4	13	25	2
40	120	½	175	101	26	26	149	128	180	23	2.4	13	25	2
40	120	½	175	101	26	26	149	128	180	23	2.4	13	25	2
40	120	½	175	101	26	26	174	153	180	23	2.4	13	25	2



d (mm)	D (mm)	D1 (inch)	H (mm)	H3 (mm)	H4 (mm)	H5 (mm)	L (mm)	L1 (mm)	L3 (mm)	L4 (mm)	e (mm)	Lift = Hx (mm)	DN2 (mm)	e1 (mm)
50	96	3/8	148	90	25	16	160	134	180	27	3.0	10	20	2
50	120	3/8	180	106	26	26	160	134	180	28	3.0	13	25	2
50	120	3/8	180	106	26	26	160	134	180	28	3.0	13	25	2
50	180	1/4	249	135	37	26	209	169	209	33	3.0	23	50	2
50	180	1/4	249	135	37	26	209	169	209	33	3.0	23	50	3
63	96	3/8	155	96	25	16	177	144	180	33	3.0	10	20	2
63	120	3/8	187	113	26	26	177	144	180	35	3.0	13	25	2
63	120	3/8	187	113	26	26	177	144	180	35	3.0	13	25	2
63	180	1/4	255	141	37	26	225	192	220	39	3.0	23	50	2
63	180	1/4	255	141	37	26	225	192	220	39	3.0	23	50	3
63	180	1/4	255	141	37	26	225	192	220	39	3.0	23	50	3
90	120	3/8	200	126	26	26	205	159	190	47	4.3	13	25	2
90	120	3/8	200	126	26	26	205	159	190	47	4.3	13	25	2
90	120	3/8	200	126	26	26	205	159	190	47	4.3	13	25	2
90	180	1/4	269	155	37	26	254	207	250	51	4.3	23	50	3
90	180	1/4	269	155	37	26	254	207	250	51	4.3	23	50	3
110	120	3/8	209	135	26	26	227	171	190	56	5.3	13	25	2
110	120	3/8	209	135	26	26	227	171	190	56	5.3	13	25	2
110	120	3/8	209	135	26	26	227	171	190	56	5.3	13	25	2
110	180	1/4	279	165	37	26	276	219	250	60	5.3	23	50	3
110	180	1/4	279	165	37	26	276	219	250	60	5.3	23	50	3



SYGEF Plus Diaphragm valve DIASTAR TenPlus FC (Fail safe to close)
Unions with butt fusion spigots metric

Model:

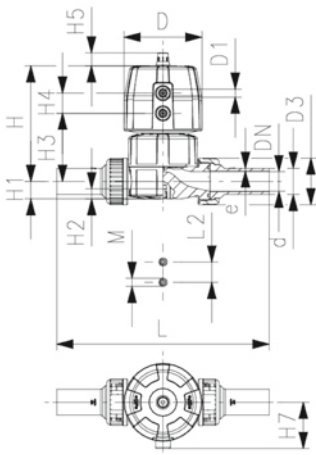
- Material: PVDF-HP
- Double flow rate compared to predecessor
- One housing nut replaces four screws
- Rotating air connection at 90° intervals
- For easy installation and removal
- Short overall length

Option:

- Individual configuration of the valve
- Comprehensive range of accessories available

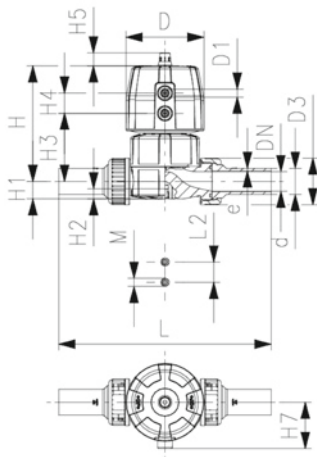
Working Pressure: **both sides**

*O-ring material: FKM white



d (mm)	DN (mm)	Size (inch)	PN (bar)	kv-value (Δp=1 bar) (l/min)	PTFE/ EPDM* Code	SP Weight (kg)	PTFE/FKM* Code	SP Weight (kg)
20	15	1/2	10	125	181 684 132	1	1.172	181 684 152
25	20	3/4	10	271	181 684 133	1	1.381	181 684 153
32	25	1	10	481	181 684 134	1	2.225	181 684 154
40	32	1 1/4	10	759	181 684 135	1	3.730	181 684 155
50	40	1 1/2	10	1263	181 684 136	1	5.786	181 684 156
63	50	2	10	1728	181 684 137	1	6.880	181 684 157

d (mm)	D (mm)	D1_G (inch)	H (mm)	H1 (mm)	H2 (mm)	H3 (mm)	H4 (mm)	H5 (mm)	H7 (mm)	L (mm)	L2 (mm)	M	e (mm)	Lift = Hx (mm)
20	96	3/8	127	14	12	68	25	16	57	196	25	M6	1.9	7
25	96	3/8	132	18	12	73	25	16	57	221	25	M6	1.9	10
32	120	3/8	167	22	12	93	26	26	69	234	25	M6	2.4	13
40	150	1/2	196	26	15	101	36	26	88	260	45	M8	2.4	15
50	180	3/4	239	32	15	124	37	26	103	284	45	M8	3.0	19
63	180	1/2	251	39	15	137	37	26	103	321	45	M8	3.0	23



d (mm)	closest inch (inch)
20	¾
25	1
32	1 ¼
40	1 ½
50	2
63	2 ½



SYGEF Plus Diaphragm valve DIASTAR TenPlus FC (Fail safe to close)
With butt fusion spigots metric

Model:

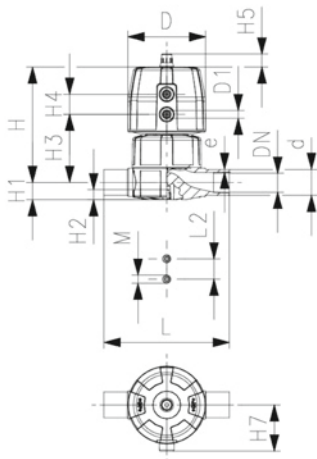
- Material: PVDF-HP
- Double flow rate compared to predecessor
- One housing nut replaces four screws
- Rotating air connection at 90° intervals

Option:

- Individual configuration of the valve
- Comprehensive range of accessories available

Working Pressure: **both sides**

*O-ring material: FKM white



d (mm)	DN (mm)	Size (inch)	PN (bar)	kv-value (Δp=1 bar) (l/min)	PTFE/EPDM* Code	SP	Weight (kg)	PTFE/FKM* Code	SP	Weight (kg)
20	15	¾	10	125	181 685 132	1	1.079	181 685 152	1	1.079
25	20	1	10	271	181 685 133	1	1.208	181 685 153	1	1.208
32	25	1	10	481	181 685 134	1	2.021	181 685 154	1	2.021
40	32	1 ¼	10	759	181 685 135	1	3.349	181 685 155	1	3.349
50	40	1 ½	10	1263	181 685 136	1	5.288	181 685 156	1	5.288
63	50	2	10	1728	181 685 137	1	6.150	181 685 157	1	6.150

d (mm)	D (mm)	D1_G (inch)	H (mm)	H1 (mm)	H2 (mm)	H3 (mm)	H4 (mm)	H5 (mm)	H7 (mm)	L (mm)	L2 (mm)	M (mm)	e (mm)	Lift = Hx (mm)
20	96	¾	127	14	12	68	25	16	57	124	25	M6	1.9	7
25	96	1	132	18	12	73	25	16	57	144	25	M6	1.9	10
32	120	1	167	22	12	93	26	26	69	154	25	M6	2.4	13
40	150	1 ¼	196	26	15	101	36	26	88	174	45	M8	2.4	15
50	180	1 ½	239	32	15	124	37	26	103	194	45	M8	3.0	19
63	180	2	251	39	15	137	37	26	103	224	45	M8	3.0	23

d (mm)	closest inch (inch)
20	¾
25	1
32	1 ¼
40	1 ½
50	2
63	2 ½



**SYGEF Plus Diaphragm valve DIASTAR TenPlus
FC (Fail safe to close)
With butt fusion spigots metric SDR21**

Model:

- Material: PVDF-HP
- Double flow rate compared to predecessor
- One housing nut replaces four screws
- Rotating air connection at 90° intervals
- Smallest possible dead space

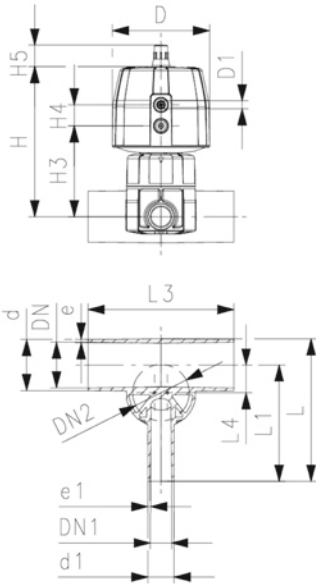
Option:

- Individual configuration of the valve
- Comprehensive range of accessories available

Working Pressure: **both sides**

* Available on request

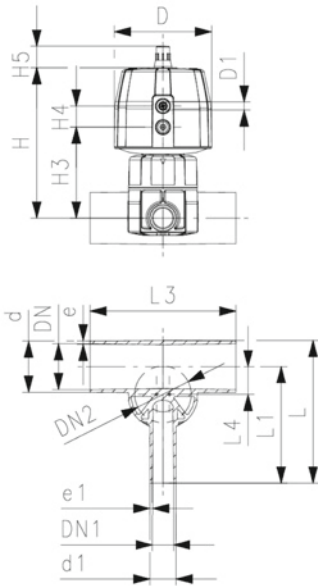
*O-ring material: FKM white



d (mm)	d1 (mm)	DN (mm)	DN1 (mm)	Size (inch)	PN (bar)	kv-value ($\Delta p=1$ bar) (L/min)	Valve Size d (mm)	PTFE/ EPDM* Code	SP	Weight (kg)
20	20	15	15	½	10	57	20	181 689 301	1	1.112
25	20	20	15	¾	10	89	25	181 689 303	1	1.230
25	25	20	20	¾	10	118	25	181 689 304	1	1.233
32	20	25	15	1	10	80	25	181 689 307	1	1.283
32	25	25	20	1	10	105	25	181 689 308	1	1.287
32	32	25	25	1	10	231	32	181 689 309	1	2.391
40	20	32	15	1 ¼	10	85	32	181 689 312	1	2.117
40	25	32	20	1 ¼	10	119	32	181 689 313	1	2.121
40	32	32	25	1 ¼	10	153	32	181 689 314	1	2.139
40	40	32	32	1 ¼	10	187	32	181 689 315	1	2.168
50	20	40	15	1 ½	10	86	25	181 689 318	1	1.402
50	25	40	20	1 ½	10	160	32	181 689 319	1	2.207
50	32	40	25	1 ½	10	206	32	181 689 320	1	2.212
50	40	40	32	1 ½	10	524	63	181 689 321	1	6.022
50	50	40	40	1 ½	10	667	63	181 689 322	1	6.032
63	20	50	15	2	10	84	25	181 689 325	1	1.479
63	25	50	20	2	10	150	32	181 689 326	1	2.292
63	32	50	25	2	10	184	32	181 689 327	1	2.298
63	40	50	32	2	10	471	63	181 689 328	1	6.199
63	50	50	40	2	10	610	63	181 689 329	1	6.264
63	63	50	50	2	10	747	63	181 689 330	1	6.277
90	20	80	15	3	10	82	32	181 689 341	1	2.577
90	25	80	20	3	10	103	32	181 689 342	1	2.584
90	32	80	25	3	10	129	32	181 689 343	1	2.600
90	50	80	40	3	10	623	63	181 689 345	1	6.717
90	63	80	50	3	10	696	63	181 689 346	1	6.745
110	20	100	15	4	10	78	32	181 689 351	1	2.847
110	25	100	20	4	10	103	32	181 689 352	1	2.853
110	32	100	25	4	10	131	32	181 689 353	1	2.870
110	50	100	40	4	10	604	63	181 689 355	1	7.133
110	63	100	50	4	10	661	63	181 689 356	1	7.163

d (mm)	PTFE/FKM* Code	SP	Weight (kg)
20	181 689 501	1	1.112
25	181 689 503	1	1.230
25	181 689 504	1	1.233
32	181 689 507	1	1.283
32	181 689 508	1	1.287
32	181 689 509	1	2.063
40	181 689 512	1	2.117
40	181 689 513	1	2.121
40	181 689 514	1	2.139
40	181 689 515	1	2.168
50	181 689 518	1	1.402
50	181 689 519	1	2.207

table continued on the next page



d (mm)	PTFE/FKM* Code	SP	Weight (kg)
50	181 689 520	1	2.212
50	181 689 521	1	6.022
50	181 689 522	1	6.032
63	181 689 525	1	1.479
63	181 689 526	1	2.292
63	181 689 527	1	2.298
63	181 689 528	1	6.199
63	181 689 529	1	6.264
63	181 689 530	1	6.277
90	181 689 541	1	2.577
90	181 689 542	1	2.584
90	181 689 543	1	2.600
90	181 689 545	1	6.717
90	181 689 546	1	6.745
110	181 689 551	1	2.847
110	181 689 552	1	2.853
110	181 689 553	1	2.870
110	181 689 555	1	7.133
110	181 689 556	1	7.163

d (mm)	D (mm)	D1 (inch)	H (mm)	H3 (mm)	H4 (mm)	H5 (mm)	L (mm)	L1 (mm)	L3 (mm)	L4 (mm)	e (mm)	Lift = Hx (mm)	DN2 (mm)	e1 (mm)
20	96	⅜	130	71	25	16	117	96	162	12	1.9	7	15	2
25	96	⅜	131	72	25	16	133	108	162	16	1.9	10	20	2
25	96	⅜	131	72	25	16	133	108	162	16	1.9	10	20	2
32	96	⅜	135	76	25	16	142	120	162	19	2.4	10	20	2
32	96	⅜	135	76	25	16	142	120	162	19	2.4	10	20	2
32	120	⅜	167	93	26	26	145	120	160	19	2.4	13	25	2
40	120	⅜	175	101	26	26	149	128	180	23	2.4	13	25	2
40	120	⅜	175	101	26	26	149	128	180	23	2.4	13	25	2
40	120	⅜	175	101	26	26	174	153	180	23	2.4	13	25	2
50	96	⅜	148	90	25	16	160	134	180	27	3.0	10	20	2
50	120	⅜	180	106	26	26	160	134	180	28	3.0	13	25	2
50	120	⅜	180	106	26	26	160	134	180	28	3.0	13	25	2
50	180	¼	249	135	37	26	209	169	209	33	3.0	23	50	2
50	180	¼	249	135	37	26	209	169	209	33	3.0	23	50	3
63	96	⅜	155	96	25	16	177	144	180	33	3.0	10	20	2
63	120	⅜	187	113	26	26	177	144	180	35	3.0	13	25	2
63	120	⅜	187	113	26	26	177	144	180	35	3.0	13	25	2
63	180	¼	255	141	37	26	225	192	220	39	3.0	23	50	2
63	180	¼	255	141	37	26	225	192	220	39	3.0	23	50	3
63	180	¼	255	141	37	26	225	192	220	39	3.0	23	50	3
90	120	⅜	200	126	26	26	205	159	190	47	4.3	13	25	2
90	120	⅜	200	126	26	26	205	159	190	47	4.3	13	25	2
90	120	⅜	200	126	26	26	205	159	190	47	4.3	13	25	2
90	180	¼	269	155	37	26	254	207	250	51	4.3	23	50	3
90	180	¼	269	155	37	26	254	207	250	51	4.3	23	50	3
110	120	⅜	209	135	26	26	227	171	190	56	5.3	13	25	2
110	120	⅜	209	135	26	26	227	171	190	56	5.3	13	25	2
110	180	¼	279	165	37	26	276	219	250	60	5.3	23	50	3
110	180	¼	279	165	37	26	276	219	250	60	5.3	23	50	3



**SYGEF Plus Diaphragm valve type DIASTAR 025
FC (Fail safe to close)
With fixed flanges PVDF metric**

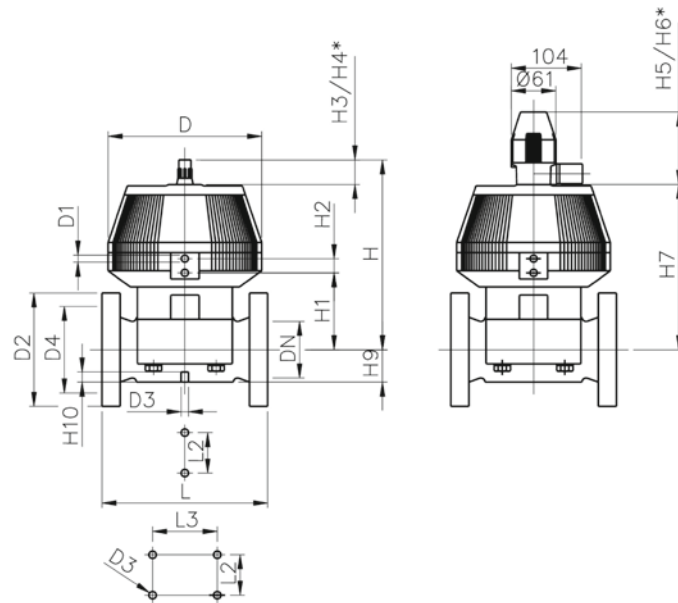
Model:

- Material: PVDF-HP
- Connecting dimension: ISO 7005 / EN 1092 / DIN 25 PN10 / BS4504
- With position indicator / Working pressure: **both sides**
- * With backing flanges PP-V
- ** Connecting dimensions DN80 and DN150 metric and Inch ANSI B16.5

	d (mm)	Size (inch)	DN (mm)	PN (bar)	kv-value ($\Delta p=1$ bar) (L/min)	PTFE/EPDM Code	Weight (kg)
*	75	2 1/2	65	10	992	199 025 447	13.600
**	90	3	80	10	1700	199 025 448	17.400
	110	4	100	6	2700	199 025 449	24.700

	d (mm)	D (mm)	D1_G (inch)	D2 (mm)	D3[M] (mm)	D4 (mm)	H (mm)	H1 (mm)	H2 (mm)	H3 (mm)	H4 (mm)	H5 (mm)	H6 (mm)	H7 (mm)	H9 (mm)
*	75	280	1/4	185	8	145	344	148	24	46	100	129	195	298	46
**	90	280	1/4	200	12	160	348	150	24	46	100	129	195	302	57
	110	335	1/4	225	12	180	395	176	24	46	100	129	195	349	69

	d (mm)	H10 (mm)	L (mm)	L2 (mm)
*	75	15	290	70
**	90	15	310	120
	110	20	350	120





**SYGEF Plus Diaphragm valve type DIASTAR 025
FC (Fail safe to close)
With fixed flanges PVDF Inch ANSI**

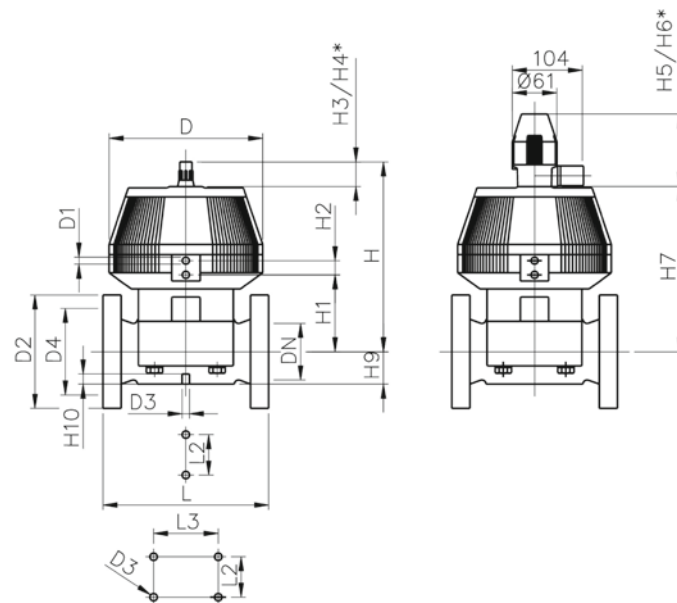
Model:

- Material: PVDF-HP
- Overall length according to EN 558
- Connecting dimension: ANSI/ASME B 16.5 class 150, ASTM D 4024, BS 1560, BS EN 1759
- With position indicator / Working pressure: **both sides**
- * With backing flanges PP-V
- ** Connecting dimensions DN80 and DN150 metric and Inch ANSI B16.5

	d (mm)	Size (inch)	DN (mm)	PN (bar)	kv-value ($\Delta p=1$ bar) (l/min)	PTFE/EPDM Code	Weight (kg)
*		2 ½	65	10	992	199 025 387	14.200
**	90	3	80	10	1700	199 025 448	17.400
		4	100	6	2700	199 025 389	26.500

	D	D1_G	D2	D3[M]	D4	H	H1	H2	H3	H4	H5	H6	H7	H9	H10
	(mm)	(inch)	(mm)	(mm)	(mm)	(mm)	(mm)	(mm)	(mm)	(mm)	(mm)	(mm)	(mm)	(mm)	(mm)
*	280	¼	185	8	145	344	148	24	46	100	129	195	298	46	15
**	280	¼	200	12	160	348	150	24	46	100	129	195	302	57	15
	335	¼	225	12	180	395	176	24	46	100	129	195	349	69	20

	L	L2
	(mm)	(mm)
*	290	70
**	310	120
	350	120





SYGEF Plus Diaphragm valve type DIASTAR 025
FO (Fail safe to open)
With fixed flanges PVDF metric

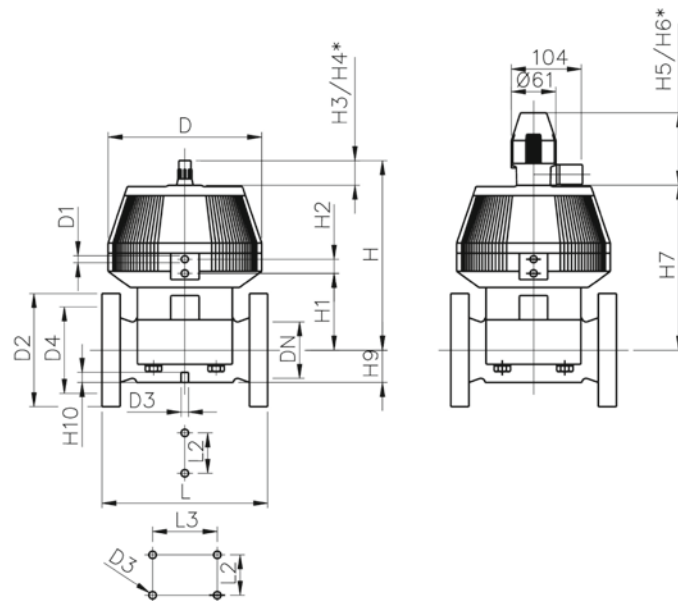
Model:

- Material: PVDF-HP
- Connecting dimension: ISO 7005 / EN 1092 / DIN 25 PN10 / BS4504
- With position indicator / Working pressure: on one side
- * With backing flanges PP-V
- ** Connecting dimensions DN80 and DN150 metric and Inch ANSI B16.5

	d	Size	DN	PN	kv-value	PTFE/EPDM	Weight
	(mm)	(inch)	(mm)	(bar)	($\Delta p=1$ bar)	Code	(kg)
	(L/min)						
*	75	2 ½	65	10	992	199 025 457	13.600
**	90	3	80	10	1700	199 025 458	17.400
	110	4	100	6	2700	199 025 459	24.700
**	160	6	150	6	6033	199 025 460	35.000

	d	D	D1_G	D2	D3[M]	D4	H	H1	H2	H3	H4	H5	H6	H7	H9
	(mm)	(mm)	(inch)	(mm)	(mm)	(mm)	(mm)	(mm)	(mm)	(mm)	(mm)	(mm)	(mm)	(mm)	(mm)
*	75	280	¼	185	8	145	344	148	24	46	100	129	195	298	46
**	90	280	¼	200	12	160	348	150	24	46	100	129	195	302	57
	110	335	¼	225	12	180	395	176	24	46	100	129	195	349	69
**	160	335	¼	285	12	240	455	237	24	46	100	129	195	409	108

	d	H10	L	L2	L3
	(mm)	(mm)	(mm)	(mm)	(mm)
*	75	15	290	70	
**	90	15	310	120	
	110	20	350	120	
**	160	20	480	100	200





**SYGEF Plus Diaphragm valve type DIASTAR 025
FO (Fail safe to open)
With fixed flanges PVDF Inch ANSI**

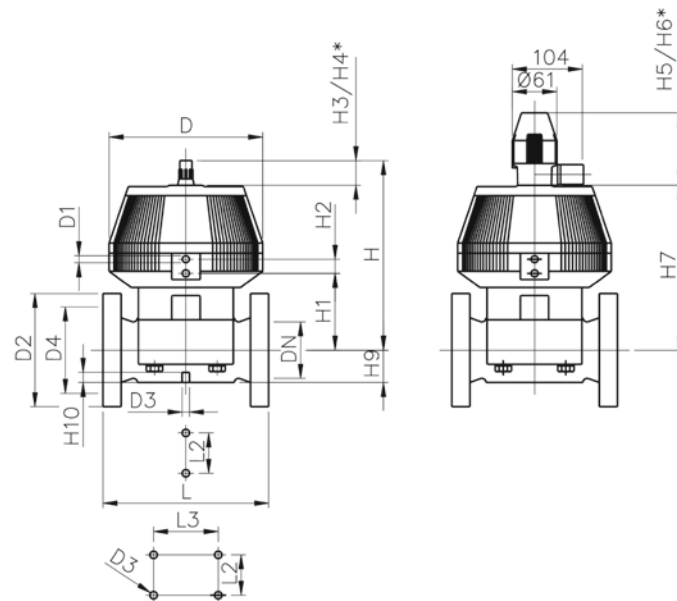
Model:

- Material: PVDF-HP
- Overall length according to EN 558
- Connecting dimension: ANSI/ASME B 16.5 class 150, ASTM D 4024, BS 1560, BS EN 1759
- With position indicator / Working pressure: on one side
- * With backing flanges PP-V
- ** Connecting dimensions DN80 and DN150 metric and Inch ANSI B16.5

	d (mm)	Size (inch)	DN (mm)	PN (bar)	kv-value ($\Delta p=1$ bar) (l/min)	PTFE/EPDM Code	Weight (kg)
*		2 ½	65	10	992	199 025 397	12.200
**	90	3	80	10	1700	199 025 458	17.400
		4	100	6	2700	199 025 399	23.400
**	160	6	150	6	6033	199 025 460	35.000

	D (mm)	D1_G (inch)	D2 (mm)	D3[M] (mm)	D4 (mm)	H (mm)	H1 (mm)	H2 (mm)	H3 (mm)	H4 (mm)	H5 (mm)	H6 (mm)	H7 (mm)	H9 (mm)	H10 (mm)
*	280	¼	185	8	145	344	148	24	46	100	129	195	298	46	15
**	280	¼	200	12	160	348	150	24	46	100	129	195	302	57	15
	335	¼	225	12	180	395	176	24	46	100	129	195	349	69	20
**	335	¼	285	12	240	455	237	24	46	100	129	195	409	108	20

	L (mm)	L2 (mm)	L3 (mm)
*	290	70	
**	310	120	
	350	120	
**	480	100	200





**SYGEF Plus Diaphragm valve type DIASTAR 025
DA (Double acting)
With fixed flanges PVDF metric**

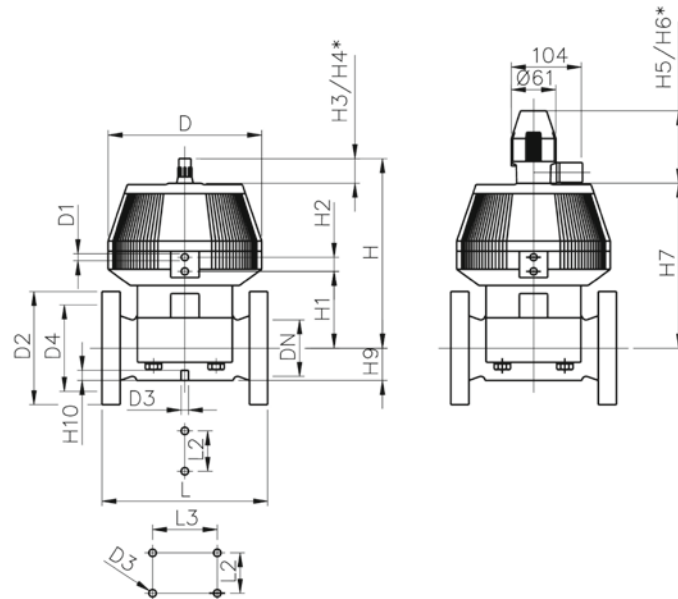
Model:

- Connecting dimension: ISO 7005 / EN 1092 / DIN 25 PN10 / BS4504
- With position indicator / Working pressure: on one side
- * With backing flanges PP-V
- ** Connecting dimensions DN80 and DN150 metric and Inch ANSI B16.5

	d (mm)	DN (mm)	Size (inch)	PN (bar)	kv-value ($\Delta p=1$ bar) (L/min)	PTFE/EPDM Code	Weight (kg)
*	75	65	2 ½	10	992	199 025 467	13.600
**	90	80	3	10	1700	199 025 468	17.400
	110	100	4	6	2700	199 025 469	24.700
**	160	150	6	6	6033	199 025 470	35.000

	d (mm)	D (mm)	D1_G (inch)	D2 (mm)	D3[M] (mm)	D4 (mm)	H (mm)	H1 (mm)	H2 (mm)	H3 (mm)	H4 (mm)	H5 (mm)	H6 (mm)	H7 (mm)	H9 (mm)
*	75	280	¼	185	8	145	344	148	24	46	100	125	195	298	46
**	90	280	¼	200	12	160	348	150	24	46	100	129	195	302	57
	110	335	¼	225	12	180	395	176	24	46	100	129	195	349	69
**	160	335	¼	285	12	240	455	237	24	46	100	129	195	409	108

	d (mm)	H10 (mm)	L (mm)	L2 (mm)	L3 (mm)
*	75	15	290	70	
**	90	15	310	120	
	110	20	350	120	
**	160	20	480	100	200





**SYGEF Plus Diaphragm valve type DIASTAR 025
DA (Double acting)
With fixed flanges PVDF Inch ANSI**

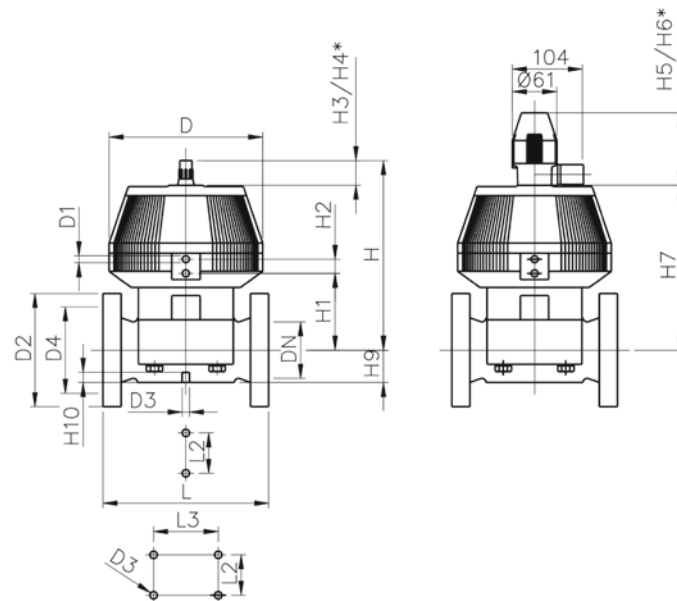
Model:

- Overall length according to EN 558
- Connecting dimension: ANSI/ASME B 16.5 class 150, ASTM D 4024, BS 1560, BS EN 1759
- With position indicator / Working pressure: on one side
- * With backing flanges PP-V
- ** Connecting dimensions DN80 and DN150 metric and Inch ANSI B16.5

	d (mm)	Size (inch)	DN (mm)	PN (bar)	kv-value ($\Delta p=1$ bar) (l/min)	PTFE/EPDM Code	Weight (kg)
*		2 1/2	65	10	992	199 025 407	13.600
**	90	3	80	10	1700	199 025 468	17.400
		4	100	6	2700	199 025 409	24.100
**	160	6	150	6	6033	199 025 470	35.000

	D (mm)	D1_G (inch)	D2 (mm)	D3[M] (mm)	D4 (mm)	H (mm)	H1 (mm)	H2 (mm)	H3 (mm)	H4 (mm)	H5 (mm)	H6 (mm)	H7 (mm)	H9 (mm)	H10 (mm)
*	280	1 1/4	185	8	145	344	148	24	46	100	125	195	298	46	15
**	280	1 1/4	200	12	160	348	150	24	46	100	129	195	302	57	15
	335	1 3/8	225	12	180	395	176	24	46	100	129	195	349	69	20
**	335	1 3/8	285	12	240	455	237	24	46	100	129	195	409	108	20

	L (mm)	L2 (mm)	L3 (mm)
*	290	70	
**	310	120	
	350	120	
**	480	100	200



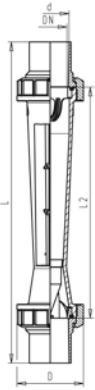
Variable area flow meter



Special version PVDF-HP
Float in PTFE without magnet
With fusion spigots BCF/IR
O-rings in FKM

d (mm)	DN (mm)	Size (inch)	Scale range (l/h)	Scale range (gal/min)	Type	Polysulfone Code	Weight (kg)
32	25	1	68 - 204	0.3 - 0.9	SK 70	198 807 209	0.383
32	25	1	90 - 295	0.4 - 1.3	SK 71	198 807 210	0.387
32	25	1	136 - 795	0.6 - 3.5	SK 73	198 807 202	0.401

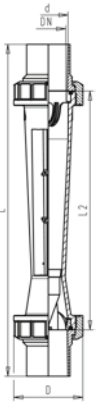
D (mm)	L (mm)	L2 (mm)	G (inch)
60	318	200	1 ½
60	318	200	1 ½
60	318	200	1 ½





Special version Type 335 PVDF-HP
Float in PVDF (white) without magnet
With fusion spigots BCF/IR
O-rings in FKM (white)

d (mm)	DN (mm)	Size (inch)	Scale range (l/h)	Scale range (gal/min)	Polysulfone Code	Weight (kg)	D (mm)	L (mm)	L2 (mm)	G (inch)
32	25	1	100 - 1000	0.4 - 4.4	198 335 160	0.401	60	453	335	1 ½
50	40	1 ½	300 - 3000	1.3 - 13.2	198 335 161	1.030	83	466	335	2 ¼
50	40	1 ½	600 - 6000	2.6 - 26.4	198 335 162	0.978	83	466	335	2 ¼
63	50	2	1000 - 8000	4.4 - 35.2	198 335 163	1.500	103	472	335	2 ¾
63	50	2	1500 - 15000	6.6 - 66.0	198 335 164	1.500	103	472	335	2 ¾
75	65	2 ½	2000 - 20000	8.8 - 88.0	198 335 165	2.500	122	495	335	3 ½
75	65	2 ½	3000 - 29000	13.2 - 127.7	198 335 166	2.500	122	495	335	3 ½



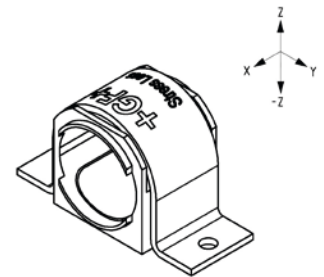
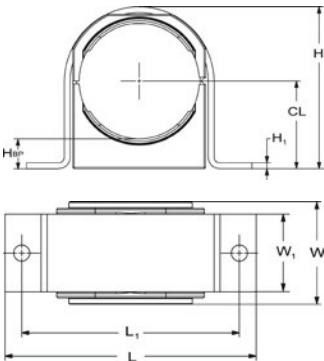
Accessories

Stress Less

Stress Less Pipe Guide - Metric

First pipe support system especially designed to eliminate stress transfer to pipe due to thermal expansion or seismic events. Has engineered, designed gap of 3mm between guide insert and pipe OD. Excessive force can never be exerted on the pipe regardless of bolt torque.

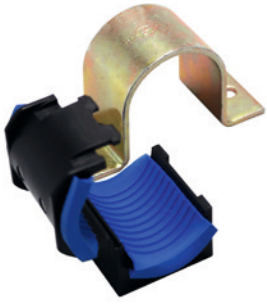
- Includes steel hoop and plastic guide insert.
- Hoop is trivalent gold chromium-coated galvanized steel, compliant with ASTM B633.
- Guide insert is Polypropylene, Black, UV resistant.
- Mounts to any flat surface or standard strut support.
- Mounting holes in hoop for bolts size "SC" (not included).
- Recommend using 70,000psi (482 MPa) tensile strength or greater bolts in recommended sizes.
- F_y , F_z , and $-F_z$ are rated design loads, in lb-f (pounds-force) and N (Newtons), for respective y, z, and -z directions.



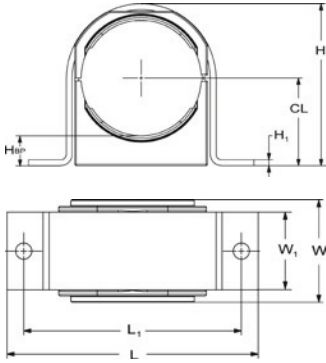
Size (mm)	GF Code
20	155 484 500
25	155 484 501
32	155 484 502
40	155 484 503
50	155 484 504
63	155 484 505
75	155 484 506
90	155 484 507
110	155 484 508
125	155 484 518
140	155 484 519
160	155 484 509

Size (mm)	H (mm)	CL (mm)	Hbp (mm)	H1 (mm)	L (mm)	L1 (mm)	W (mm)	W1 (mm)	SC	Fz	F-z	Fy
20	41	19	9	3	83	66	50	37	1/4" M6	150lbs / 660N	180lbs / 800N	150lbs / 660N
25	47	23	10	3	88	71	50	37	1/4" M6	150lbs / 660N	180lbs / 800N	150lbs / 660N
32	56	28	12	3	95	78	50	37	1/4" M6	150lbs / 660N	180lbs / 800N	150lbs / 660N
40	58	26	6	3	102	86	50	37	1/4" M6	150lbs / 660N	180lbs / 800N	150lbs / 660N
50	69	33	9	3	111	94	50	37	1/4" M6	150lbs / 660N	180lbs / 800N	150lbs / 660N
63	89	47	16	3	124	107	50	37	5/16" M8	200lbs / 800N	240lbs / 880N	200lbs / 800N
75	108	58	21	3	135	119	50	37	5/16" M8	300lbs / 1300N	360lbs / 1600N	300lbs / 1300N
90	113	58	13	3	151	134	50	37	5/16" M8	450lbs / 2000N	540lbs / 2400N	450lbs / 2000N
110	136	68	13	3	175	159	50	37	5/16" M8	650lbs / 2800N	780lbs / 3400N	600lbs / 2670N
125	152	80	15	3	187	171	50	37	5/16" M8	700lbs / 3100N	840lbs / 3700N	600lbs / 2670N
140	169	90	18	3	202	186	50	37	5/16" M8	700lbs / 3100N	840lbs / 3700N	600lbs / 2670N
160	193	98	18	5	251	227	50	36	3/8" M8	900lbs / 4000N	1080lbs / 4800N	600lbs / 2670N

Stress Less Pipe Support - Vertical Metric

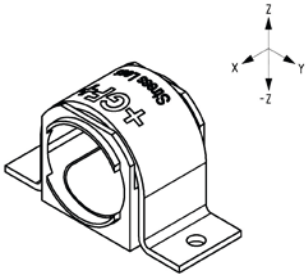


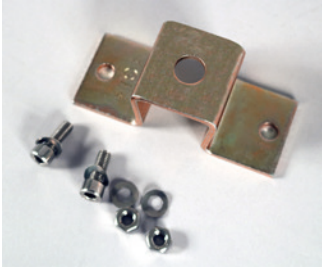
- For use as a vertical pipe support. Includes elastomeric insert strips in support to provide friction and snug fit against pipe.
- Bracket provides strength for support during seismic or excessive loading events.
- For metric size pipe 20mm – 63mm.
- Includes steel hoop and plastic guide insert.
- Hoop is trivalent gold chromium-coated galvanized steel, compliant with ASTM B633.
- Guide insert is Polypropylene, Black, UV resistant.
- Mounts to any flat surface or standard strut support.
- Mounting holes in hoop for bolts size "SC" (not included).
- Fx, Fy and Fz are rated design loads, in lb-f (pounds-force) and N (Newtons), for respective x, y and z directions.



Size (mm)	Code
20	155 484 560
25	155 484 561
32	155 484 562
40	155 484 563
50	155 484 564
63	155 484 565

Size (mm)	H (mm)	CL (mm)	Hbp (mm)	H1 (mm)	L (mm)	L1 (mm)	W (mm)	W1 (mm)	SC	Fyz	F-z
20	41	21	11	3	83	66	50	37	1/4" / M6	150lbs / 660N	180lbs / 800N
25	47	25	12	3	88	71	50	37	1/4" / M6	150lbs / 660N	180lbs / 800N
32	56	30	14	3	95	78	50	37	1/4" / M6	150lbs / 660N	180lbs / 800N
40	58	28	8	3	102	86	50	37	1/4" / M6	150lbs / 660N	180lbs / 800N
50	69	35	10	3	111	94	50	37	1/4" / M6	150lbs / 660N	180lbs / 800N
63	89	49	17	3	124	107	50	37	5/16" / M8	200lbs / 800N	240lbs / 880N





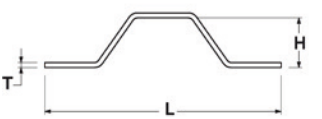
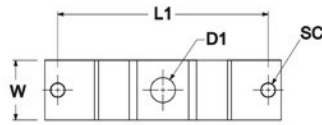
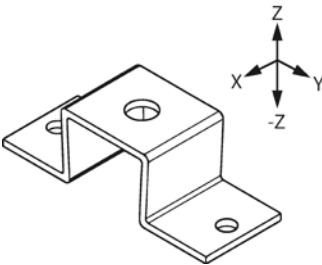
Stress Less Pipe Guide - Clevis Hanger Kit

First pipe support system especially designed to eliminate stress transfer to pipe due to thermal expansion or seismic events. Has engineered, designed gap of 3mm between guide insert and pipe OD. Excessive force can never be exerted on the pipe regardless of bolt torque.

- For use with metric or IPS Stress Less Pipe Supports.
- Does not include pipe guide insert or bracket.
- SC = bolt size.
- Seismic kicker configuration (V-bracing) Fy,z rating plus F-z rating.

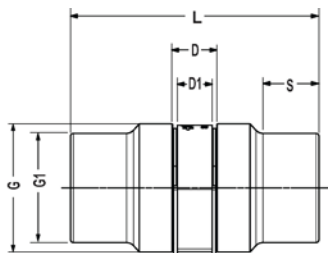
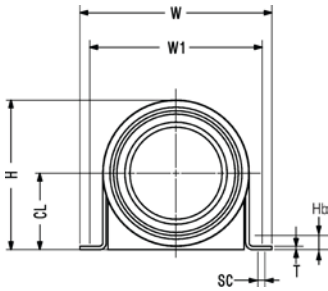
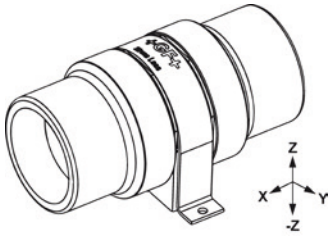
Option:

- Stainless steel hoop bracket available S155484xxx.



Size (mm)	Size (inch)	Code
20	¾	155 484 540
25	¾	155 484 541
32	1	155 484 542
40	1 ¼	155 484 543
50	1 ½	155 484 544
63	2	155 484 545
75	2 ½	155 484 546
90	3	155 484 547
110	4	155 484 548
125	5	155 484 558
140		155 484 559
160	6	155 484 549
225	8	155 484 550

Size (mm)	Size (inch)	L (mm)	L1 (mm)	H (mm)	T (mm)	w (mm)	D1 (mm)	SC	Fy	F-z
20	¾	83	66	32	3	38	12.7	1/4" / M6	150lbs / 660N	150lbs / 660N
25	¾	88	71	32	3	38	12.7	1/4" / M6	150lbs / 660N	150lbs / 660N
32	1	95	78	32	3	38	12.7	1/4" / M6	150lbs / 660N	150lbs / 660N
40	1 ¼	103	86	32	3	38	12.7	1/4" / M6	150lbs / 660N	150lbs / 660N
50	1 ½	111	94	32	3	38	12.7	1/4" / M6	150lbs / 660N	150lbs / 660N
63	2	124	107	32	3	38	12.7	5/16" / M8	200lbs / 800N	200lbs / 800N
75	2 ½	136	119	32	3	38	15.9	5/16" / M8	300lbs / 1300N	300lbs / 1300N
90	3	151	134	32	3	38	15.9	5/16" / M8	450lbs / 2000N	450lbs / 2000N
110	4	176	159	32	3	38	19.0	5/16" / M8	600lbs / 2670N	650lbs / 2800N
125	5	187	171	32	3	38	19.0	5/16" / M8	600lbs / 2670N	700lbs / 3100N
140		202	186	32	3	38	19.0	5/16" / M8	600lbs / 2670N	700lbs / 3100N
160	6	251	227	32	5	38	22.2	3/8" / M10	600lbs / 2670N	900lbs / 4000N
225	8	310	286	32	5	38	22.2	3/8" / M10	800lbs / 3560N	1750lbs / 7700N



Linestop Clamp Kit - SYGEF Plus PVDF - HP

Model:

- Kit includes PVDF-HP restraint fitting, galvanized steel hoop bracket and HDPE spacer bracket. Does not include hardware for bolting to supporting structure.
- To be used with SYGEF Plus PVDF-HP (PN16) pipe and fittings.
- Hoop is trivalent gold chromium-coated galvanized steel, compliant with ASTM B633.
- Mounting holes in bracket for bolts size "SC" (not included).
- Recommend using 70,000psi (482 MPa) tensile strength or greater bolts in recommended sizes.
- F_x , F_y and F_z are rated design loads, in lb-f (pounds-force) and N (Newtons), for respective x, y and z directions.

Option:

- Rustfri stål bøjlebeslag kan bestilles S155484xxx.

Size (mm)	GF Code
20	155 484 910
25	155 484 911
32	155 484 912
40	155 484 913
50	155 484 914
63	155 484 915
90	155 484 916
110	155 484 917

Size (mm)	H (mm)	CL (mm)	Hbp (mm)	D (mm)	D1 (mm)	W (mm)	W1 (mm)	G (mm)	G1 (mm)	S (mm)	L (mm)	T (mm)	SC
20	41.0	19.0	9.0	46.0	36.6	83.0	66.0	34.0	20.0	14.1	160.0	3.0	1/4" / M6
25	47.0	23.0	10.0	46.0	36.6	88.0	71.0	43.0	25.0	16.0	170.0	3.0	1/4" / M6
32	56.0	28.0	12.0	46.0	36.6	95.0	78.0	52.0	32.0	18.0	170.0	3.0	1/4" / M6
40	58.0	26.0	6.0	46.0	36.6	102.0	86.0	52.0	40.0	20.0	180.0	3.0	1/4" / M6
50	69.0	33.0	9.0	46.0	36.6	111.0	94.0	66.0	50.0	23.0	190.0	3.0	1/4" / M6
63	89.0	47.0	16.0	46.0	36.6	124.0	107.0	80.0	63.0	30.0	210.0	3.0	5/16" / M8
90	113.0	58.0	13.0	46.0	36.6	151.0	134.0	110.0	90.0	35.0	240.0	3.0	5/16" / M8
110	136.0	68.0	13.0	46.0	36.6	175.0	159.0	134.0	110.0	41.0	260.0	3.0	3/8" / M8

Size (mm)	F_x	F_y	F_z	F-z
20	150lbs / 660N	150lbs / 660N	150lbs / 660N	180lbs / 800N
25	150lbs / 660N	150lbs / 660N	150lbs / 660N	180lbs / 800N
32	150lbs / 660N	150lbs / 660N	150lbs / 660N	180lbs / 800N
40	150lbs / 660N	150lbs / 660N	150lbs / 660N	180lbs / 800N
50	150lbs / 660N	150lbs / 660N	150lbs / 660N	180lbs / 800N
63	200lbs / 800N	200lbs / 800N	200lbs / 800N	240lbs / 880N
90	300lbs / 1300N	450lbs / 2000N	450lbs / 2000N	540lbs / 2400N
110	450lbs / 2000N	600lbs / 2670N	650lbs / 2800N	780lbs / 3400N

AQUATAP

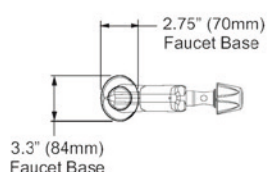


Type 530 AquaTap Recirculating Laboratory Faucet Made of SYGEF PVDF with 5/8" PFA Tubing and Flare Connections

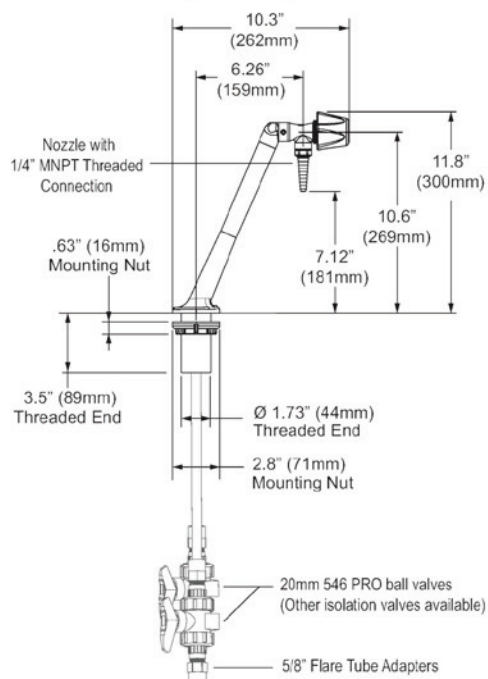
- Must be used in conjunction with Inline Flow Diverters (IFD) for proper flow and performance
- The faucet is made from high purity PVDF
- Max Pressure rating: 100 PSI @ 73°F (6.9 bar @ 23°C)
- Needle Valve Cv value: 0.428
- Mounting hole diameter 2" - 2 1/8"
- Includes 2 isolation ball valves (20mm Type 546 PRO Ball Valve PP-H) that connect to flared tubing
- Other options of isolation valves: Type 546 PRO Ball Valves (PVDF), Type 515 Diaphragm Valves (PVDF HP), or Type 515 Diaphragm Valves (PP-R).

description	Code
Deck Mount Hose Barb	175 530 101

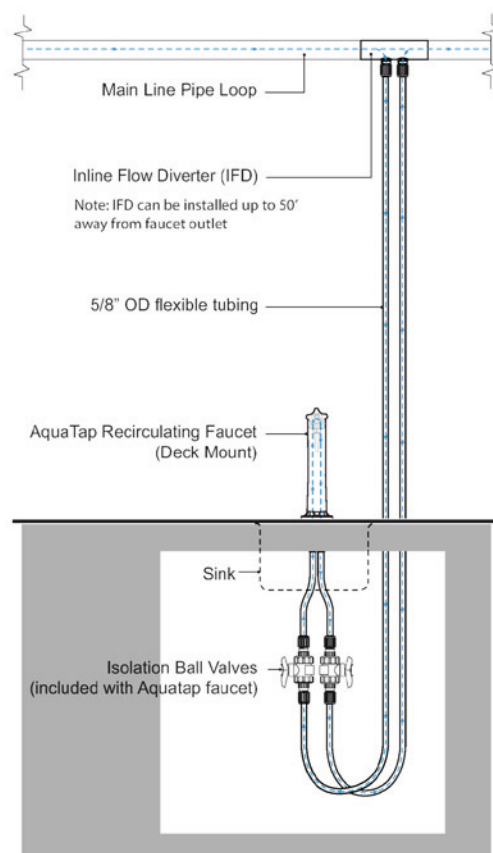
Top View



Side View



AquaTap Recirculating Faucet System Diagram



AquaTap Deck Mount Faucet
with isolation ball valves

Fusion machines and tools

IR and BCF fusion machines



IR-110 A Automated Fusion Machine

Model:

- Fully equipped automated infrared fusion machine with integrated working table for use under clean room conditions
- Welding of PVDF SYGEF (Standard/Plus), ECTFE SYGEF, PP grey PROGEF (Standard/Plus), PP-n PROGEF Natural, PE100 ecoFIT, IR PVC-U
- Dimensions d20-110 mm
- User friendly touch-screen interface 12.1" with various languages
- 4 USB interfaces, LAN Ethernet interface, 230 V Output
- Automated facer, clamping slide and heater
- Integrated video camera and temperature sensors
- Movable clamping units
- Clamping inserts d20-90 mm (8 pcs. per dimension), **not for PVC-U metric**
- End caps PE d20-110 mm (4 pcs. per dimension)
- Shavings collection tray
- Transport box with integrated pallet
- 1-phase AC (50/60 Hz) 230V L/N/PE
- Power supply cable 230V EU Standard
- Torx key (T10) for facing knives
- Cleaning brush
- Label printer

Note:

Clamping inserts PVC-U metric on request

Code	Weight (kg)
790 164 001	250



IR-315 A Automated Fusion Machine

Model:

- Fully equipped automated infrared fusion machine and working table designed for industrial applications and clean room conditions
- Welding of PVDF SYGEF (Standard/Plus), PP grey PROGEF (Standard/Plus), PE100 ecoFIT
- Dimensions d110-315 mm
- Automated facer, clamping slide and heater
- Integrated cooling system
- User friendly touch-screen interface 12.1" with various languages
- 4 USB interfaces, LAN Ethernet interface, 230 V Output
- Integrated video camera and temperature sensors
- Clamping inserts d110-280 mm (8 pcs. per dimension)
- End caps PE d110-315 mm (4 pcs. per dimension)
- Transport cases with integrated euro-pallette (fusion machine and working table)
- 3-phase AC (50/60 Hz) 400 V L1/L2/L3/N/PE
- Set of facing knives (2 pcs.)
- Torx key (T25) for facing knife
- Hexagon keys (10 mm + 8 mm)
- Fork key (24 mm)
- Cleaning brush
- Label printer (incl. ribbon 24 mm)

Code	Weight (kg)
790 165 001	1049.000



IR-400 A Automated Fusion Machine
(only a rental pool machine)

Model:

- Fully equipped automated infrared fusion machine and working table designed for industrial applications and clean room conditions
- Welding of PVDF SYGEF Plus
- Dimensions d355-400mm
- Automated facer, clamping slide and heater
- User friendly touch-screen interface 12.1" with various languages
- 4 USB interfaces, LAN Ethernet interface, 230 V Output
- Integrated video camera and temperature sensors
- Clamping inserts d355-400 mm (8 pcs. per dimension)
- End caps PE d355-400 mm (4 pcs. per dimension)
- Transport cases (fusion machine and working table)
- 3-phase AC (50/60 Hz) 400 V L1/L2/L3/N/PE
- Set of facing knives (2 pcs.)
- Torx key (T25) for facing knife
- Hexagon keys (10 mm + 8 mm)
- Cleaning brush
- Label printer (incl. ribbon 24 mm)

Code	Weight (kg)
790 166 001	1273.000



IR-63 M Standard Fusion Machine
(without extension cable set & CONNECT box)

Model:

- Manually operated infrared fusion machine with integrated remote welding unit
- Welding of PVDF SYGEF (Standard/Plus), ECTFE SYGEF, PP-H PROGEF (Standard/Plus), PP-n PROGEF Natural, PE100 ecoFIT, PVC-U metric & PFA inch
- Dimensions d20-63 mm
- A safety glass protected 7" touchscreen
- 2x USB-A & 2x USB-C ports
- Clamping slide with movable & exchangeable clamping units
- Half shells d20-50 mm (8 pcs. per dimension)
- End caps PE d20-63 mm (4 pcs. per dimension)
- Pipe stop fix, 2mm facing distance
- Pipe stop adjustable, 0.5-3mm facing distance
- 1-phase AC (50/60 Hz) 230V L/N/PE
- Power supply cable 230 V
- Label printer

Option:

- Half shells PFA inch
- Extension cable set for remote weldings
- CONNECT Welding Data Box

Code	Weight (kg)
790 180 001	59.0



IR-110 Plus Fusion Machine (without PVC-U parameter)

Model:

- Fully-equipped manually operated infrared fusion machine for use under clean room conditions
- Welding of PVDF SYGEF (Standard/Plus), ECTFE SYGEF, PP-H PROGEF (Standard/Plus), PP-n PROGEF Natural, PE100 ecoFIT, PFA
- Dimensions d20-110 mm
- Monochrome display with icons and various languages
- 2 USB interfaces
- Heating and facing element
- Clamping slide with movable clamping units
- Clamping inserts d20-90 mm (8 pcs. per dimension)
- End caps PE d20-110 mm (4 pcs. per dimension)
- Pipe stop
- Clean-room compatible accessory tray with tools
- Transport box with integrated pallet
- 1-phase AC (50/60 Hz) 230V L/N/PE
- Power supply cable 230V
- Label printer

Note:

Clamping inserts PFA (inch) on request
Clamping inserts CONTAIN-IT Plus on request

Code Weight

	(kg)
790 132 001	110



IR-225 Plus Fusion Machine

Model:

- Fully-equipped manually operated infrared fusion machine with integrated working table for use under clean room conditions
- Welding of PVDF SYGEF (Standard/Plus), ECTFE SYGEF, PP-H PROGEF (Standard/Plus), PP-n PROGEF Natural, PE100 ecoFIT
- Dimensions d63-225 mm
- Monochrome display with icons and various languages
- 2 USB interfaces
- Heating and facing element
- Clamping slide with movable clamping units
- Cooling fan
- Clamping inserts d63-225 mm (8 pcs. per dimension)
- End caps PE d63-225 mm (4 pcs. per dimension)
- Pipe stop
- Transport box with integrated pallet (stainless steel)
- 1-phase AC (50/60 Hz) 230V L/N/PE or 3-phase AC (50/60 Hz) 400V/230VL1/L2/L3/N/PE
- Connecting cable 400V - 230V
- Additional tools
- Label printer

Note:

Clamping inserts CONTAIN-IT Plus on request

Code Weight

	(kg)
790 133 009	453



BCF-63 Plus Fusion Machine

Model:

- Fully-equipped manually operated fusion machine with integrated remote welding unit for bead and crevice free jointing for use under clean room conditions
- Welding of PVDF SYGEF (Standard/Plus), PP-n PROGEF Natural
- Dimensions d20-63 mm
- Monochrome display with icons and various languages
- 2 USB interfaces
- Heating stations d20-63 mm (6 pcs.)
- Facing tool (1 pcs.) incl. facing inserts d20-63 mm (6 pcs.)
- Facing tool support
- Movable clamping units
- Cooling fan
- Clamping units (2 pcs.) with clamping inserts d20-63 mm (4 pcs. per dimension)
- Supporting tools d20-63 mm (2 pcs.)
- Transport box with integrated pallet
- 1-phase AC (50/60 Hz) 115 / 230 V L/N/PE
- Extension cable for remote welding (8m)
- Bladder Remove Tool (BReT)
- Hose box incl. air hose (16m)
- Hose cutter
- Label printer

Note:

Bladders to be ordered separately.

Code	Weight (kg)
790 121 002	153.000



BCF-110 Plus Fusion Machine

Model:

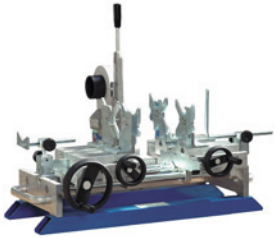
- Fully-equipped manually operated fusion machine with integrated remote welding unit for bead and crevice free jointing for use under clean room conditions
- Welding of PVDF SYGEF (Standard/Plus), PP-n PROGEF Natural
- Dimensions d20-110 mm
- Monochrome display with icons and various languages
- 2 USB interfaces
- Heating stations d20-110 mm (9 pcs.)
- Facing tool with facing inserts d20-63 mm (6 pcs.)
- Facing tool with facing inserts d75-110 mm (3 pcs.)
- Facing tool support
- Movable clamping units
- Cooling fan
- Clamping units (2 pcs.) with clamping inserts d20-63 mm (4 pcs. per dimension)
- Clamping units (2 pcs.) with clamping inserts d75-110 mm (4 pcs. per dimension)
- Adapter for clamping unit d75-110 mm (2 pcs.)
- Supporting tools d20-63 mm (2 pcs.)
- Supporting tools d75-110 mm (2 pcs.)
- Transport box with integrated pallet
- 1-phase AC (50/60 Hz) 115 / 230 V L/N/PE
- Extension cable for remote welding (8m)
- Bladder Remove Tool (BReT)
- Hose box incl. air hose (16m)
- Hose cutter
- Label printer

Note:

Bladders to be ordered separately.

Code	Weight (kg)
790 121 001	188.000

Socket fusion jointing machines



SG 125 Socket fusion machine

- Portable heating element - socket fusion machine for use in the workshop and on job sites.
- For fusion jointing of PP and PE pipes and fittings
- **BASE MACHINE**
- Compact, sturdy design, distortion-free machine bed
- Handwheel with torque locking mechanism for the slide movement
- Fast selection of insertion depth according to the pipe dimension
- **HEATER**
- With electronic temperature control
- High temperature accuracy over the entire heating surface
- **ADDITIONAL STANDARD EQUIPMENT**
- Universal, left and right prismatic clamping devices, complete, for clamping pipe and fittings. Additional set of prismatic clamping devices for outer clamping of pipes available as an option.
- V-shaped pipe support
- Back stop
- Machine specific tool set
- Timer to clock fusion times
- Including transport packaging, without accessories

d-d (mm)	Performance	Code	Weight (kg)
16 - 125	230 V/1500 W	790 310 034	65.000
16 - 125	115 V/1500 W	790 310 036	65.000

Tools and accessories



WBI-63 Tool

- Weld bead inspection of PVDF SYGEF (Standard/Plus), ECTFE SYGEF, PP-H PROGEF (Standard/Plus), PE100 ecoFIT
- Dimensions d20-d63 mm
- Clamping units d20-d63 mm
- Tablet with accessories
- Label printer Brother PT-P900W

Suitable for	Code	Weight (kg)
d20 - d63	790 170 001	14



WBI-225 Tool

- Weld bead inspection of PVDF SYGEF (Standard/Plus), ECTFE SYGEF, PP-H PROGEF (Standard/Plus), PE100 ecoFIT
- Dimensions d20-d225 mm
- Clamping units d20-d225 mm
- Tablet with accessories
- Label printer Brother PT-P900W

Suitable for	Code	Weight (kg)
d20 - d225	790 170 002	22

PPC Plastic pipe cutter



Model:

- For cutting of plastic pipes d6 - d160
- Suitable for all GF plastic types PE, PVC-U, PVC-C, ABS, PP, PVDF, ECTFE
- Removable deburring tool integrated

Note:

* Additional spare cutting wheel included in the handle



	d (mm)	Article	Code	Weight (kg)	Closest inch (inch)
*	6 - 63	Plastic Pipe cutter (s max. 7.00mm)	790 109 094	0.785	1/8 - 2
	50 - 125	Plastic Pipe cutter (s max. 16.00mm)	790 109 095	1.875	1 1/2 - 4
	110 - 160	Plastic Pipe cutter (s max. 16.00mm)	790 109 096	2.255	4 - 6
	6 - 63	Spare cutting wheel d6-63mm (3 Pcs./Pu.)	790 109 097	0.010	
	50-125 / 110-160	Spare cutting wheel d50-125mm / d110-160mm (2 Pcs./Pu.)	790 109 098	0.030	

Rotary Pipe Cutter d63-200 mm / d90-315 mm



- Tool for simple right-angle precision cutting of plastic pipe with a wall thickness PVDF/PVC up to 12 mm (up to 15mm with bigger cutter 790109851) and for PP/PE up to 20 mm (up to 30 mm with bigger cutter 790109851) --> blade for PP/PE must be ordered separately Code 790109861
- Including transport box

d-d (mm)	Code	Weight (kg)
63 - 200	790 109 850	7.000
90 - 315	790 109 851	5.000

Tangit KS Cleaner



- Special cleaner for plastic fusion connections in the material of PE, PP, PB, PVDF, ECTFE and PVC-U
- Suitable for Tangit Rapid. Must not be used for solvent cementing
- DVGW approved
- DW 5290 BR 0464

Size	Code	Weight (kg)
1 liter	799 298 023	0.872



Cleaning tissue KO-TON-R

Minimum order quantity 100 pieces

- This cleaning tissue is suitable for the cleaning of the welding zone of piping components, because it is lint free and clean room checked.

Code Weight

Code	Weight (kg)
790 122 085	0.005



Tempil sticks

Temperature (°C)	Code	SP	Weight (kg)	Color
253	761 066 796	1	0.012	yellow
274	761 066 797	1	0.014	red

Local support around the world

Visit our webpage to get in touch with your local specialist:

www.gfps.com/our-locations



The information and technical data (altogether "Data") herein are not binding, unless explicitly confirmed in writing.
The Data neither constitutes any expressed, implied or warranted characteristics, nor guaranteed properties or a guaranteed durability. All Data is subject to modification. The General Terms and Conditions of Sale of Georg Fischer Piping Systems apply.