

Pneumatic diaphragm valve DIASTAR

Operating Instructions

Pneumatisches Membranventil DIASTAR

Betriebsanleitung

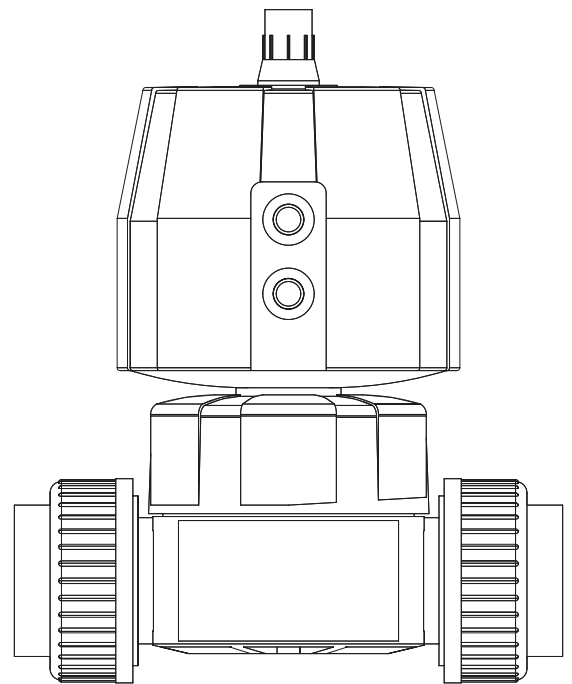
Robinet à membrane pneumatique DIASTAR

Manuel d'utilisation

Válvula de membrana neumática DIASTAR

Manual de instrucciones

气动隔膜阀 DIASTAR 操作说明书



2007155 Pneumatic Diaphragm Valve DIASTAR

MA_00119 / DE EN FR ES ZH / 04 (04.2024)

© Georg Fischer Piping Systems Ltd

CH-8201 Schaffhausen/Switzerland

+41 52 631 30 26/info.ps@georgfischer.com

www.gfps.com

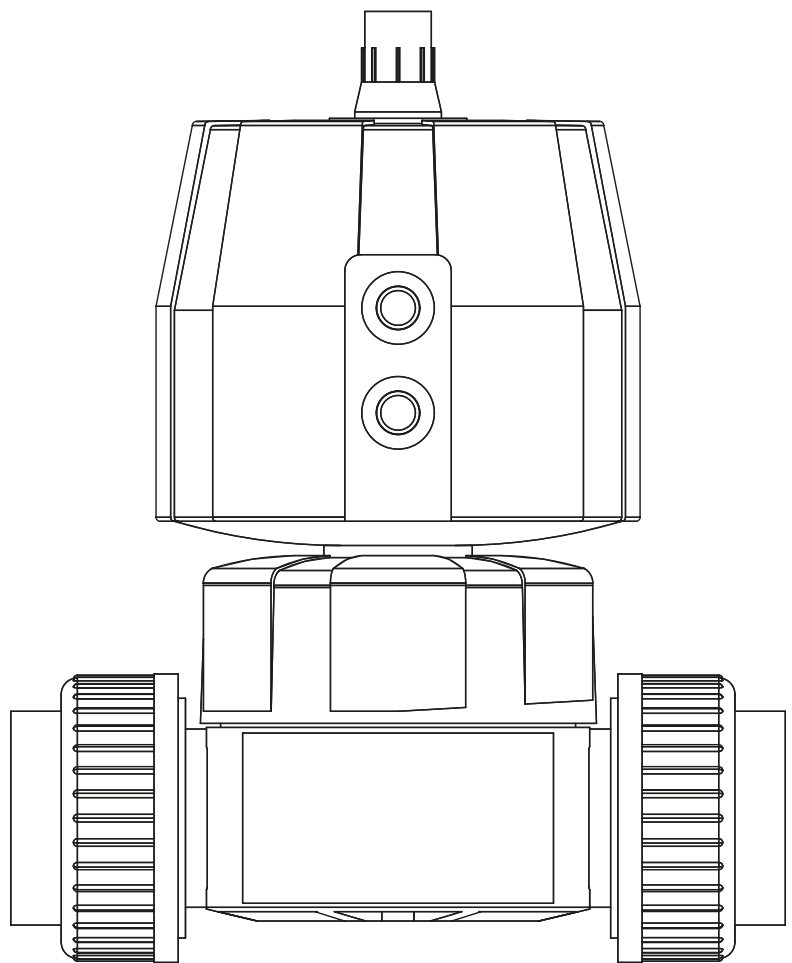


Content

Pneumatic diaphragm valve DIASTAR	3
Pneumatisches Membranventil DIASTAR	41
Robinet à membrane pneumatique DIASTAR	79
Válvula de membrana neumática DIASTAR	117
气动隔膜阀 DIASTAR	155

Pneumatic diaphragm valve DIASTAR

Operating Instructions



Translation of the original instruction manual

Disclaimer

The technical data are not binding. They neither constitute expressly warranted characteristics nor guaranteed properties nor a guaranteed durability. It is subject to modification. Our General Terms of Sale apply.

Table of contents

1	About this document	7
1.1	Other applicable documents	7
1.2	Symbols	7
1.3	Abbreviations	7
1.4	Terms used	7
2	Safety Information	8
2.1	Meaning of the signal words	8
2.2	Observe instruction manual	8
2.3	Safety and responsibility	8
2.4	Notes for service and operating personnel	9
3	Product description	10
3.1	Intended use	10
3.2	Use not in accordance with the intended use	10
3.3	EC-Declaration of conformity	10
3.4	Type overview	11
3.5	Design and function	11
3.6	Identification	13
3.7	Technical Data	14
4	Installation	23
4.1	Preparation	23
4.2	Installation process	24
4.3	Changing the position of the connections for the control pressure	26
4.4	Connecting control pressure	28
5	Putting into operation	29
5.1	Preparation	29
5.2	Pressure testing	29
6	Normal mode	30

6.1	Measures during operation	30
7	Service	31
7.1	Maintenance plan	31
7.2	Removal and disassembly	32
7.3	Replacing the diaphragm	33
8	Troubleshooting	37
9	Accessories and Spare Parts	38
9.1	Accessories	38
10	Disposal	38

1 About this document

1.1 Other applicable documents

Document	
Georg Fischer Planning Fundamentals Industry	700671687
Data sheet	www.gfps.com/is-manuals-valves
Chemical resistance	www.gfps.com

These documents are available from the Georg Fischer Piping Systems Sales Company or at www.gfps.com.

1.2 Symbols

Symbol	Indication
•	Listed in no particular order.
▶	Call for action: Here, something has to be done.
1.	Call for action in a certain order: Here, something has to be done in the specified order.

1.3 Abbreviations

Abbreviation	Indication
DN	Nominal diameter
PN	Nominal pressure
FC	FC function/spring resistance closed
FO	FO function/spring resistance opened
DA	DA function/double-action

1.4 Terms used

Term	Indication
Valve	Pneumatic diaphragm valve DIASTAR
Medium	Operating medium flowing through the valve.

2 Safety Information

The safety instructions apply to use as described under "Intended use".

The safety instructions do not cover the following cases:

- Incidental events occurring during installation, operation and service.
- The operator is responsible for the local and site-related safety regulations.

2.1 Meaning of the signal words

In this instruction manual, warnings are used, which shall warn the user of death, injuries or material damage. Always read and observe these warnings!

DANGER!

Imminent danger!

Non-observance may result in major injuries or death.

- ▶ Measures to avoid the danger.

WARNING!

Possible danger!

Non-observance may result in serious injuries.

- ▶ Measures to avoid the danger.

CAUTION!

Dangerous situation!

Non-observance may result in minor injuries.

- ▶ Measures to avoid the danger.

NOTE!

Dangerous situation!

Non-observance may result in material losses.

2.2 Observe instruction manual

The instruction manual is part of the product and an important element within the safety concept.

- ▶ Read and observe the instruction manual.
- ▶ Always have the instruction manual available by the product.
- ▶ Give instruction manual to all subsequent users of the product.

2.3 Safety and responsibility

- ▶ Only use the product as intended, see „Intended use“.
- ▶ Do not use a damaged or defective product. Replace any damaged product immediately.
- ▶ Make sure that the piping system has been installed professionally and that it is inspected regularly.
- ▶ The safety instructions for the valves are the same as for the piping system they are installed in.

2.4 Notes for service and operating personnel

The following target groups are addressed in these operating instructions:

Operators

Operators are instructed in the operation of the product and observe the safety guidelines.

Service personnel

The service personnel has professional technical training and performs installation, putting into operation, as well as maintenance work.

DANGER!

Improper handling!

Incorrect installation, putting into operation or maintenance can cause personal injury and damage to property, as well as endanger the environment.

- ▶ Installation and putting into operation of product and accessories exclusively by persons who have the required training, knowledge or experience.
- ▶ Regular instruction of personnel in all applicable matters of locally applicable regulations for occupational safety and environmental protection, especially for pressurized pipes.

DANGER!

Use of hazardous and non-approved medium!

Non-approved chemically aggressive or hot medium can attack materials, cause personal injury and endanger the environment. Components not in contact with the medium can be attacked by leakage inside the valve.

- ▶ Observe the safety data sheets or the applicable safety regulations for the medium used.
- ▶ Check the compatibility of the valve materials with the medium.
- ▶ Do not use unapproved medium.
- ▶ Regularly check the valve for wear and, if necessary, perform service.
- ▶ Wear appropriate protective equipment.
- ▶ For hot medium: Work only on cooled down system.
- ▶ In case of uncertainty regarding approved medium, contact the Georg Fischer Piping Systems Sales Company.

3 Product description

3.1 Intended use

The DIASTAR pneumatic diaphragm valve is designed exclusively for installation in a compatible industrial piping system to shut off, pass or regulate the flow of approved medium.

It must be used exclusively within the chemical resistance of the entire fittings and all components.

3.2 Use not in accordance with the intended use

Any use other than that described in the „Intended use“ is not in accordance with the intended use and is therefore not permitted. If unsuitable products are installed or used in safety-relevant applications, unintended operating conditions may occur in the application that can cause personal injury and/or property damage.

Only use the product in safety-relevant applications if this use is expressly specified and permitted in the product documentation. Georg Fischer Piping Systems Ltd. accepts no liability for damage resulting from improper use. The risks associated with improper use lie solely with the user.

3.3 EC-Declaration of conformity

The manufacturer Georg Fischer Piping Systems Ltd., 8201 Schaffhausen (Switzerland) declares that the subsequently listed machines are machines according to the listed unifying design standard in terms of the EC Machine Directive 2006/42/EC and comply with the requirements of this directive that apply to machines. The technical documentation for machines has been compiled in accordance with Annex VII, Section A of this directive and the CE labels on the machines also indicate this conformity. Furthermore, we declare that the machines are compatible with the applicable provisions of other stated EU directives.

Product group	Type designation	Additional directives and harmonized design standards
Pneumatic diaphragm valves	DIASTAR Six	<ul style="list-style-type: none"> • EN ISO 16138 • 2006/42/EG • 2014/68/EU • 2011/65/EU • EN ISO 12100 • EN 1349 • EN ISO 4414 • NE 19
	DIASTAR Ten	
	DIASTAR TenPlus	
	DIASTAR Sixteen	

Schaffhausen, 09.04.2024

Bastian Lübke

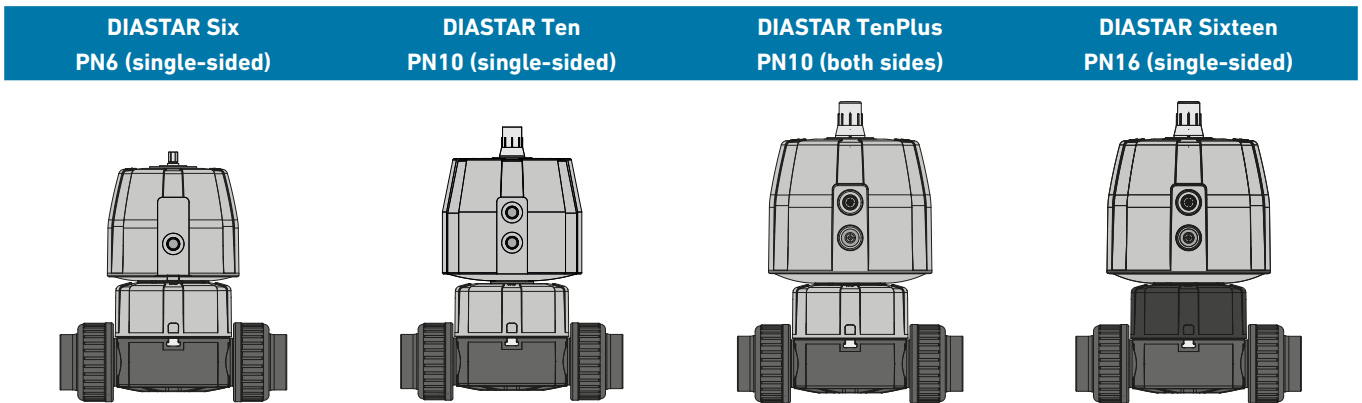
Head of Global R&D

Georg Fischer Piping Systems Ltd.

CH-8201 Schaffhausen (Switzerland)



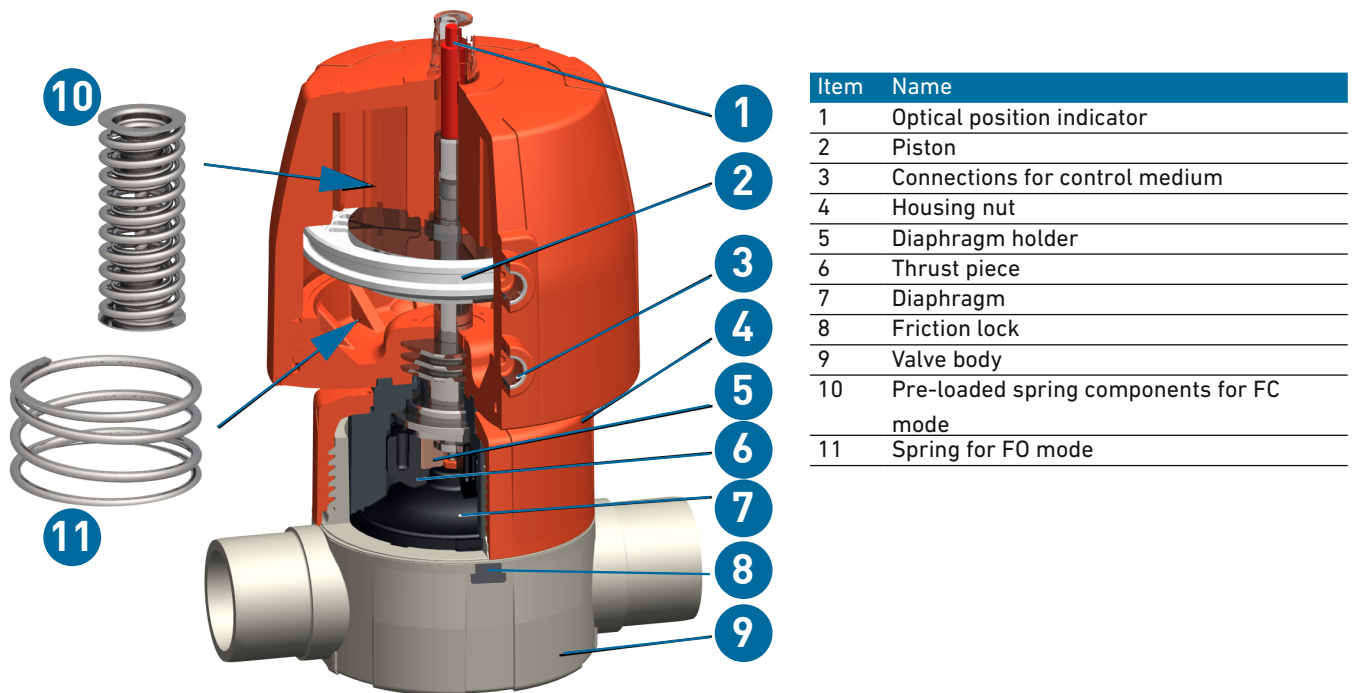
3.4 Type overview



3.5 Design and function

3.5.1 Construction

The design of the valve is identical for the four valve body types, except for the connections.



DA functional scheme without spring (pos. 10 or 11).

3.5.2 Mode

FC mode

In the non-operative state, the valve is closed by spring resistance. When the actuator is subjected to the control pressure (bottom connection), the valve opens. If the control pressure escapes, the valve is closed by the spring resistance.

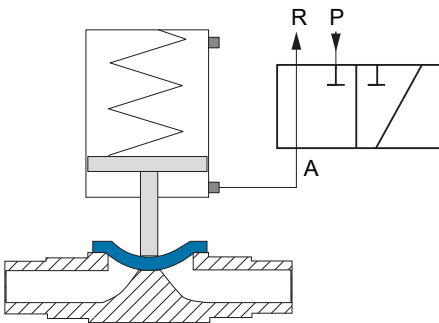
FO mode

In the non-operative state, the valve is opened by spring resistance. When the actuator is subjected to the control pressure (top connection), the valve closes. If the control pressure escapes, the valve is opened by the spring resistance.

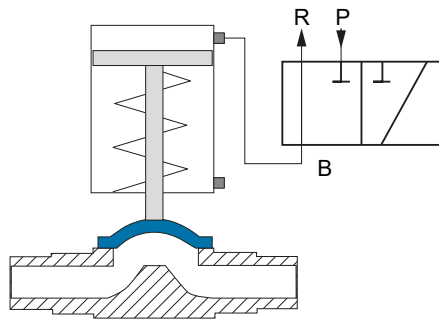
DA mode

The valve has no defined home position. The valve is opened and closed by applying control pressure to the corresponding connection (top connection for closing, bottom connection for opening).

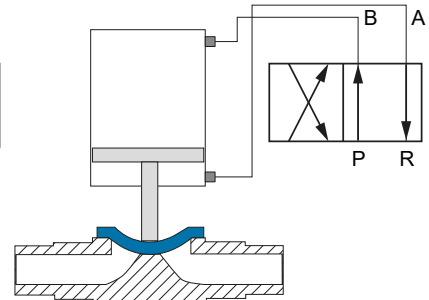
Selection of solenoid valve and associated connecting thread



FC mode of operation with a 3/2-way solenoid valve for bottom connection



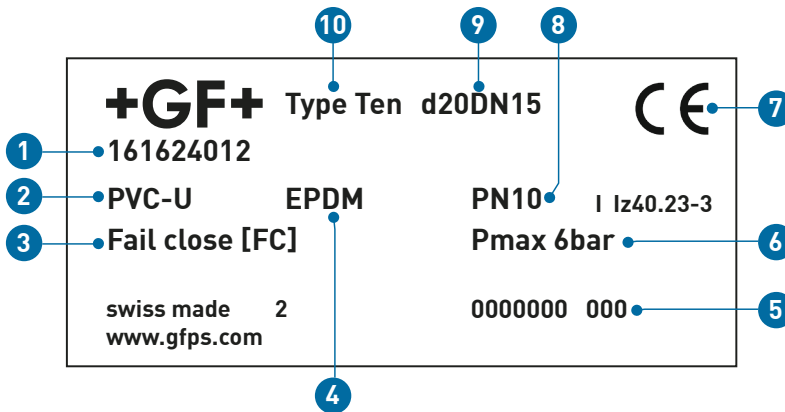
FO mode with a 3/2-way solenoid valve for top connection



The DA mode with a 4/2- or 5/2-way solenoid valve. Both connections are used.

3.6 Identification

3.6.1 Diaphragm valve

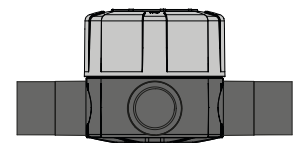
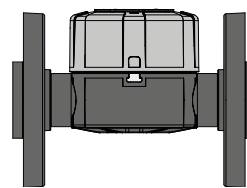
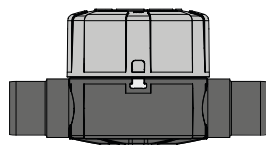
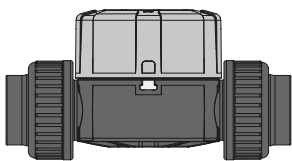


Item	Name
1	Order number
2	Valve body material
3	Functional scheme
4	Diaphragm material
5	Serial number
6	Max. control pressure
7	CE marking and approvals
8	Nominal pressure
9	Dimension
10	DIASTAR Type

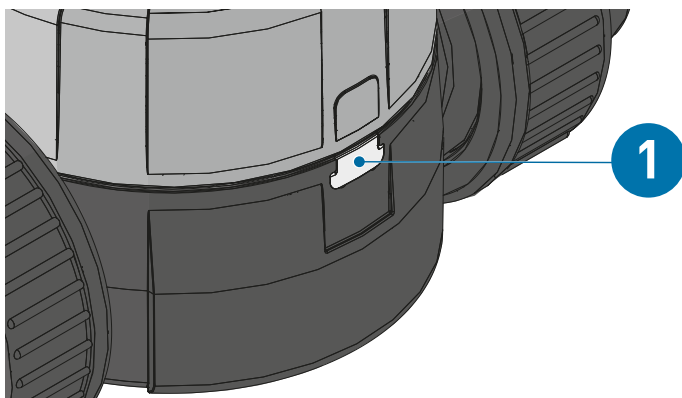
3.6.2 Valve body

The valve bodies are suited for various connection types:

Type 514	Type 515	Type 517	Type 519
Radial installation and removal	Spigot variant	Flange version	Outlet valve



3.6.3 Diaphragm material identifying feature



Item	Name
1	Friction lock

The color of the friction lock on the valve body indicates the diaphragm material.

Friction lock	Diaphragm material	O-ring*
Color		
Black	EPDM	EPDM
White	PTFE/EPDM	FKM
Green	PTFE/FKM	FKM
Red	FKM	FKM
Blue	NBR	EPDM

*for type 514

3.7 Technical Data

3.7.1 Specifications

























Specifications				
Allowed medium	Liquid and gaseous medium which do not negatively affect the physical and chemical properties of the respective valve body and diaphragm material during normal mode. Information on chemical resistance is available from the Georg Fischer Piping Systems Sales Company or at www.gfps.com .			
Dimensions	Type Six	d20/DN15 – d63/DN50, 3/8" – 2"		
	Type Ten	d20/DN15 – d63/DN50, 3/8" – 2"		
	Type TenPlus	d20/DN15 – d63/DN50, 3/8" – 2"		
	Type Sixteen	d20/DN15 – d63/DN50, 1/2" – 2"		
Materials	Valve body	Type Six	PVC-U, PVC-C, ABS, PP-H	
		Type Ten	PVC-U, PVC-C, ABS, PP-H, PP-N, PVDF, PVDF-HP	
		Type TenPlus	PVC-U, PVC-C, ABS, PP-H, PP-N, PVDF, PVDF-HP	
		Type Sixteen	PVC-U, PVC-C, ABS, PVDF, PVDF-HP	
	Housing nut	PPGF30 for PN10		
		PPSGF40 for PN16 (only water applications)		
	Gaskets/ diaphragms ¹⁾	Type Six	EPDM, FKM	
		Type Ten	EPDM, PTFE/EPDM, FKM, PTFE/FKM, NBR, FFKM	
		Type TenPlus	EPDM, PTFE/EPDM, FKM, PTFE/FKM, NBR, FFKM	
		Type Sixteen	EPDM, PTFE/EPDM, FKM, PTFE/FKM, NBR, FFKM	
Type overview	Type Six	Nominal pressure: 6 bar	Medium pressure single-sided	
	Type Ten	Nominal pressure: 10 bar	Medium pressure single-sided	
	Type TenPlus	Nominal pressure: 10 bar	Medium pressure: both sides	
	Type Sixteen	Nominal pressure: 16 bar	Medium pressure single-sided	
Operating temperature ²⁾ (valve body material)	PVC-U	0 to 60 °C		
	PVC-C	0 to 80 °C		
	ABS	-30 to 60 °C		
	PP	0 to 80 °C		
	PVDF	-20 to 140 °C		
Features	Type Six	FC		
	Type Ten	FC, FO, DA		
	Type TenPlus	FC		
	Type Sixteen	FC, FO, DA		
Actuator	Pneumatic			
Connections	Type 514	Screw connections with solvent cement sockets, threaded sockets, fusion sockets, butt fusion nozzles		
	Type 515	Solvent cement spigot, socket fusion nozzles, butt fusion nozzles		
	Type 517	Fixed flange ³⁾ , backing flange		
	Type 519	3-way valve with butt fusion nozzles		
Approvals	ACS, FDA, DIBt, TA air, NAMSA			

¹⁾ Further combinations on request.

²⁾ As per pressure-temperature diagram in data sheet. There may be a deviation of the temperature range depending on the seal material combination.

³⁾ Only JIS variant.

3.7.2 Actuator sizes DIASTAR

DN	DIASTAR Six FC	DIASTAR Ten FC/FO/DA	DIASTAR Sixteen FC	DIASTAR Sixteen DA/FO
15	 1	 1	 2	 1
20	 2	 2	 2	 2
25	 2	 2	 3	 2
32	 3	 3	 4	 3
40	 3	 4	 5	 4
50	 3	 4	 5	 4

3.7.3 Air connection

	DIASTAR Six FC	DIASTAR Ten FC/FO/ DA	DIASTAR TenPlus FC	DIASTAR Sixteen FC
d20/DN15	G 1/8"	G 1/8"	G 1/8"	G 1/8"
d25/DN20	G 1/8"	G 1/8"	G 1/8"	G 1/8"
d32/DN25	G 1/8"	G 1/8"	G 1/8"	G 1/8"
d40/DN32	G 1/8"	G 1/8"	G 1/4"	G 1/4"
d50/DN40	G 1/8"	G 1/4"	G 1/4"	G 1/4"
d63/DN50	G 1/8"	G 1/4"	G 1/4"	G 1/4"

NOTE!

Relationship between medium pressure and loaded spring components!

The closing force of the actuators is designed for the specified PN pressure level. Operation at very low medium pressures and very powerful actuators leads to increased diaphragm wear, e.g. use DIASTAR Sixteen (FC) only at medium pressures > PN6.

- To extend the service life at low medium pressures, the number of loaded spring components can be reduced. For the specific dimensioning, please contact your representative at Georg Fischer Piping Systems.

DANGER!

Reducing the number of loaded spring components!

A reduced number of spring components leads to a reduced closing force. As a result, at higher medium pressure, there is a possibility that the valve can no longer be closed and thus the line system can no longer be completely shut off.

- Design diaphragm valves and loaded spring components according to medium pressure.

3.7.4 Control pressure

FC mode	FO mode	DA mode
6 bar max. for FC mode; lower control pressure possible due to reduction of the loaded spring components. Depending on dimension, see table of pressure levels and control pressure diagrams.	5 bar max. for the FO mode. For the dimension DN50 and a medium pressure of >10 bar, the max. control pressure is 6 bar. Depending on dimension, see table of pressure levels and control pressure diagrams.	5 bar max. for the DA mode. For the dimension DN50 and a medium pressure of >10 bar, the max. control pressure is 6 bar. Depending on dimension, see table of pressure levels and control pressure diagrams.
Compressed air class (ISO 8573-1) 2 or 3 at -10°C and 3 or 4 at T>0°C	Compressed air class (ISO 8573-1) 2 or 3 at -10°C and 3 or 4 at T>0°C	Compressed air class (ISO 8573-1) 2 or 3 at -10°C and 3 or 4 at T>0°C
When the medium pressure exceeds 10 bar, the control pressure must be throttled by exhaust air (adjust actuator cycle time to approx. 3 s)	When the medium pressure exceeds 10 bar, the control medium must be throttled by exhaust air (adjust actuator cycle time to approx. 3 s)	When the medium pressure exceeds 10 bar, the control medium must be throttled by exhaust air (adjust actuator cycle time to approx. 3 s)
Temperature of control medium, max. 40 °C	Temperature of control medium, max. 40 °C	Temperature of control medium, max. 40 °C
	Depending on the medium pressure, low control pressures can be selected.	Depending on the medium pressure, low control pressures can be selected.


Note: For optimum service life of the fittings, it is recommended to set the control pressure based on the medium pressure - see control pressure diagrams.

3.7.5 Control volume



	DIASTAR Six (FC) [dm ³]	DIASTAR Ten (FC) [dm ³]	DIASTAR Ten (FO) [dm ³]	DIASTAR Ten (DA) [dm ³]		DIASTAR TenPlus (FC) [dm ³]	DIASTAR Sixteen (FC) [dm ³]
				close	open		
20DN15	0.04	0.04	0.07	0.07	0.04	0.10	0.10
25DN20	0.12	0.12	0.20	0.20	0.12	0.12	0.12
32DN25	0.12	0.12	0.23	0.23	0.12	0.22	0.22
40DN32	0.24	0.24	0.44	0.44	0.24	0.40	0.40
50DN40	0.24	0.42	0.86	0.86	0.42	0.70	0.70
63DN50	0.24	0.44	0.86	0.86	0.44	0.80	0.80

3.7.6 Pressure levels



DIASTAR Six FC

Valve body material	PVC-U, PVC-C, ABS, PP-H, PP-N	
	Pressure level [bar]	Max. control pressure ²⁾ [bar]
DN	EPDM ¹⁾	
20DN15	6	2.6
25DN20	6	3.8
32DN25	6	3.8
40DN32	6	3.8
50DN40	6	3.8
63DN50	6	5.5
Medium pressure	 Single-sided unidirectional	

DIASTAR Ten FC

Valve body material	PVC-U, PVC-C, ABS, PP-H, PVDF, PVDF-HP, PP-N		
	Pressure level [bar]	Max. control pressure ²⁾ [bar]	
DN	EPDM ¹⁾	PTFE	
20DN15	10	10/6*	5.4
25DN20	10	10/6*	5.4
32DN25	10	10/6*	5.4
40DN32	10	10/6*	5.4
50DN40	10	10/6*	5.4
63DN50	10	6/5	5.4
Medium pressure	 Single-sided unidirectional	 Single-sided unidirectional	

DIASTAR Ten FO/DA

Valve body material	PVC-U, PVC-C, ABS, PP-H, PVDF, PVDF-HP, PP-N			
	Pressure level [bar]	Max. control pressure ³⁾ [bar]		
DN	EPDM ¹⁾	PTFE	EPDM ¹⁾	PTFE
20DN15	10	10/6*	4.5	3.5
25DN20	10	10/6*	4.5	3
32DN25	10	10/6*	4.5	3.5
40DN32	10	10/6*	4.5	3.5
50DN40	10	10/6*	3.5	3.5
63DN50	10	10/6*	3.5	4.5
Medium pressure	 Single-sided unidirectional	 Single-sided unidirectional		

*With medium pressure applied on both sides.



¹⁾ Also applies to other elastomer diaphragms such as FKM, NBR, etc.

²⁾ At 0 bar medium pressure.

³⁾ At 10 bar medium pressure.



DIASTAR TenPlus FC

Valve body material	Pressure level [bar]		Max. control pressure ²⁾ [bar]
	EPDM ¹⁾	PTFE	
DN			
20DN15	10	10	5.4
25DN20	10	10	5.4
32DN25	10	10	5.4
40DN32	10	10	5.4
50DN40	10	10	5.4
63DN50	10	10	5.4

Medium pressure  Bidirectional  Bidirectional

DIASTAR Sixteen FC

Valve body material	Pressure level [bar]		Max. control pressure ²⁾ [bar]
	EPDM ¹⁾	PTFE	
DN			
20DN15	16	16	5.5
25DN20	16	16	5.5
32DN25	16	16	5.5
40DN32	16	16	5.5
50DN40	16	16	5.5
63DN50	16	10	5.5

Medium pressure  Single-sided unidirectional  Single-sided unidirectional

¹⁾ Also applies to other elastomer diaphragms such as FKM, NBR, etc.

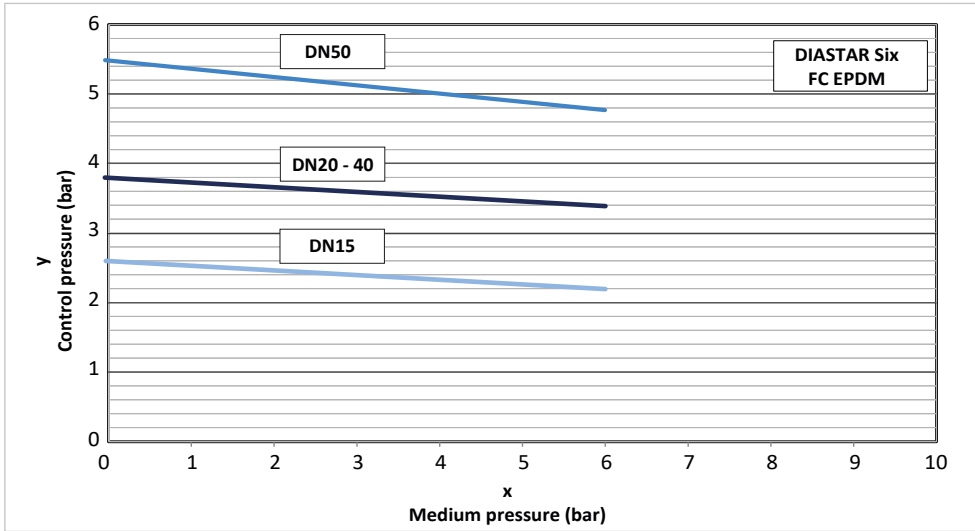
²⁾ At 0 bar medium pressure.

Note: For optimum service life of the fittings, it is recommended to set the PS control pressure based on the medium pressure - see control pressure diagrams. The PS control pressure may vary depending on the nominal diameter DN, diaphragm material and function of the actuator.

If different control pressures are used in the system, it is recommended to use a pressure regulating valve. For the specific dimensioning, please contact your representative at Georg Fischer Piping Systems.

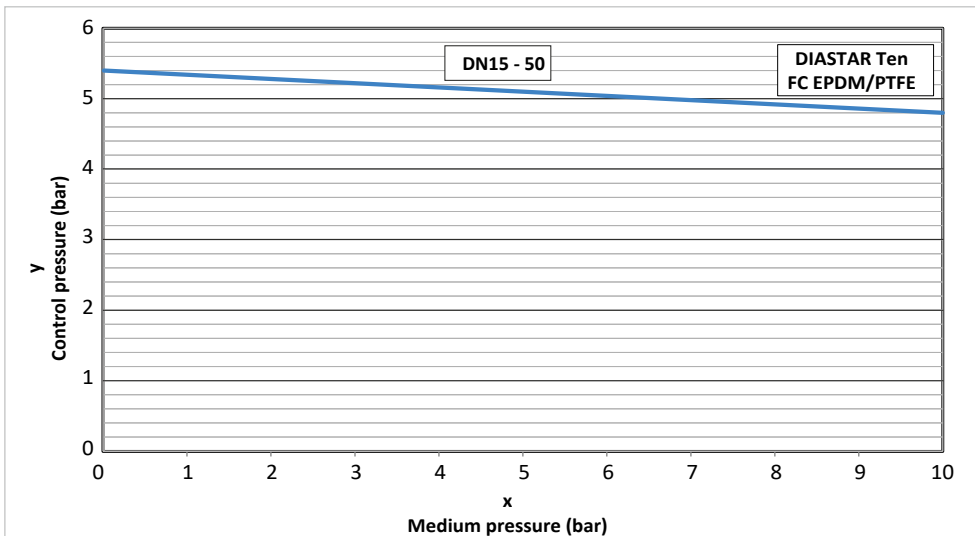
3.7.7 Control pressure diagrams

DIASTAR Six FC with EPDM* diaphragm



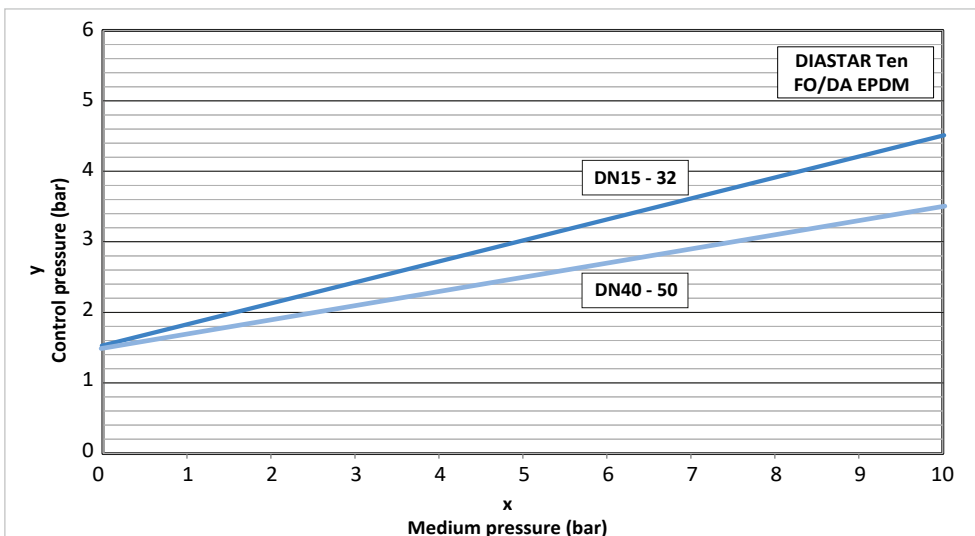
x Medium pressure
y Control pressure

DIASTAR Ten FC with EPDM* or PTFE diaphragm



x Medium pressure
y Control pressure

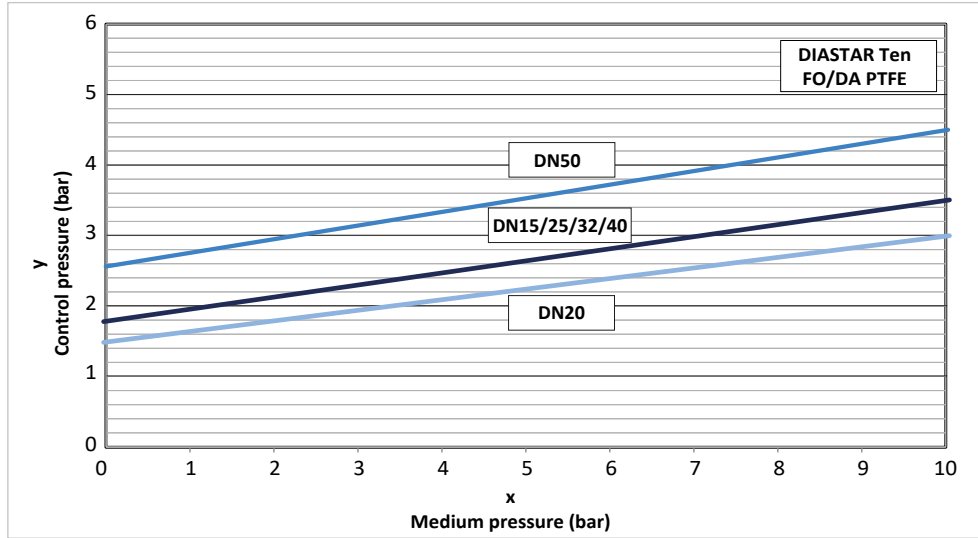
DIASTAR Ten FO and DA with EPDM* diaphragm



x Medium pressure
y Control pressure

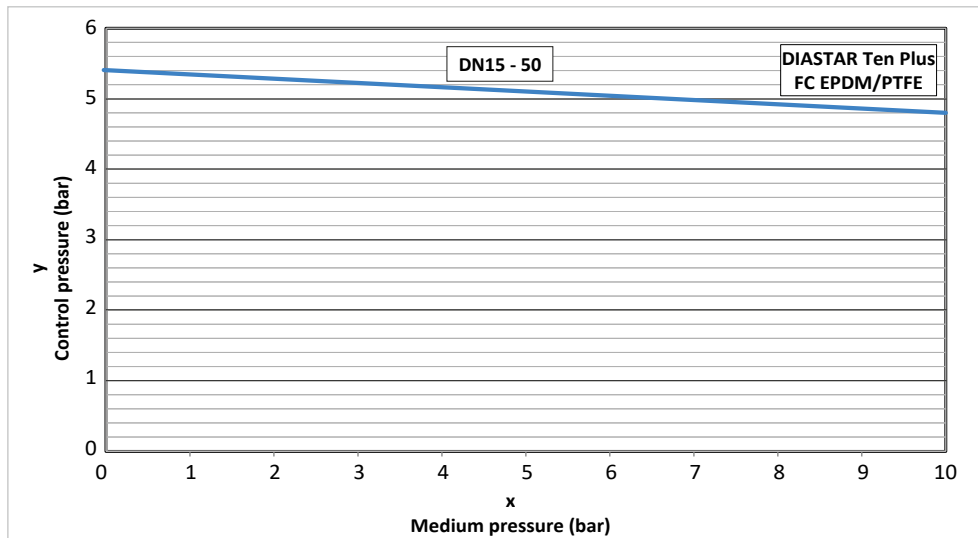
* Also applies to other elastomer diaphragms such as FKM, NBR, etc.

DIASTAR Ten FO and DA with PTFE diaphragm



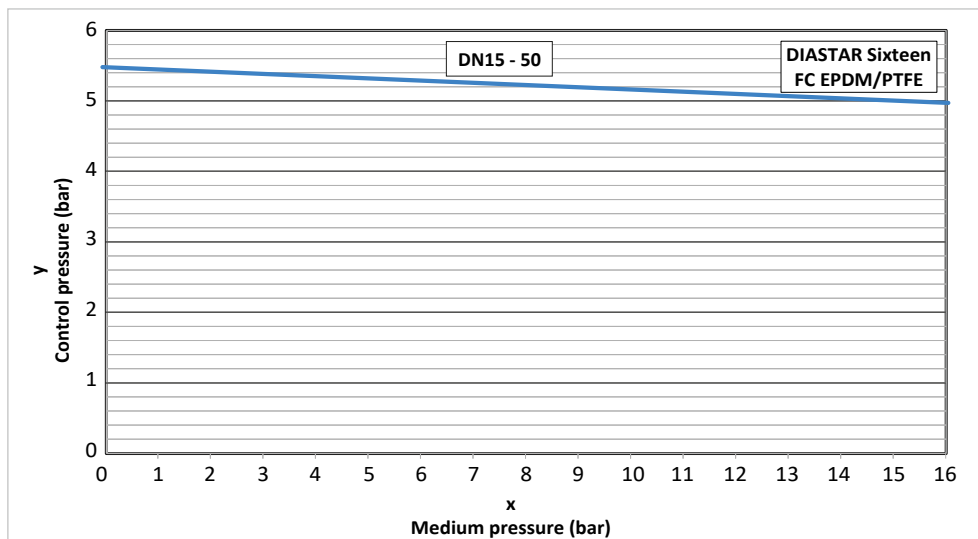
x Medium pressure
y Control pressure

DIASTAR TenPlus FC with EPDM* or PTFE diaphragm



x Medium pressure
y Control pressure

DIASTAR Sixteen FC with EPDM* or PTFE diaphragm



x Medium pressure
y Control pressure

* Also applies to other elastomer diaphragms such as FKM, NBR, etc.

3.7.8 Kv 100-values

Type 514 – 517

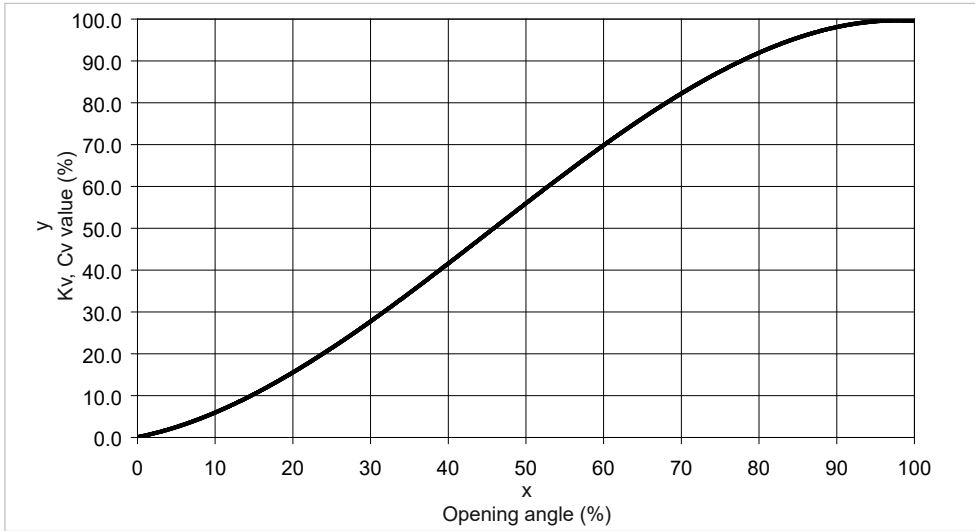
d (mm)	DN (mm)	Inch (")	Kv 100 (l/min)	Cv 100 (US gal./min)	kv 100 (m ³ /h)
20	15	½	125	9	8
25	20	¾	271	19	16
32	25	1	481	33	29
40	32	1 ¼	759	52	45
50	40	1 ½	1263	87	76
63	50	2	1728	119	104

Type 519

d (mm)	DN (mm)	Inch (")	Kv 100 (l/min)	Cv 100 (US gal./min)	kv 100 (m ³ /h)
20	15	½	57	4	3
25	20	¾	89	6	5
25	20	¾	118	8	7
32	25	1	80	6	5
32	25	1	105	7	6
32	25	1	231	16	14
40	32	1 ¼	85	6	5
40	32	1 ¼	119	8	7
40	32	1 ¼	153	11	9
40	32	1 ¼	187	13	11
50	40	1 ½	86	6	5
50	40	1 ½	160	11	10
50	40	1 ½	206	14	12
50	40	1 ½	524	36	31
50	40	1 ½	667	46	40
63	50	2	84	6	5
63	50	2	150	11	9
63	50	2	184	13	11
63	50	2	471	32	28
63	50	2	610	42	37
63	50	2	747	52	45
90	80	3	82	6	5
90	80	3	103	7	6
90	80	3	129	9	8
90	80	3	623	43	37
90	80	3	696	48	42
110	100	4	78	5	4
110	100	4	103	7	6
110	100	4	131	9	8
110	100	4	604	42	36
110	100	4	661	46	40
140	125	5	146	10	9
140	125	5	382	26	23
140	125	5	440	30	26
140	125	5	502	35	30
160	150	6	139	10	8
160	150	6	382	26	23
160	150	6	436	30	26
160	150	6	498	34	30

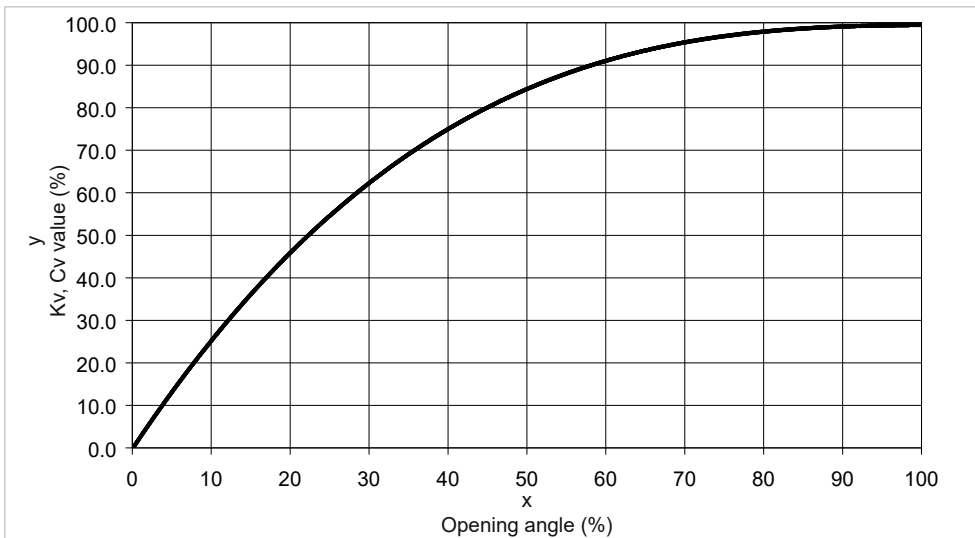
3.7.9 Flow rate

Flow characteristics type 514–517



x Opening angle (%)
y Kv, Cv value (%)

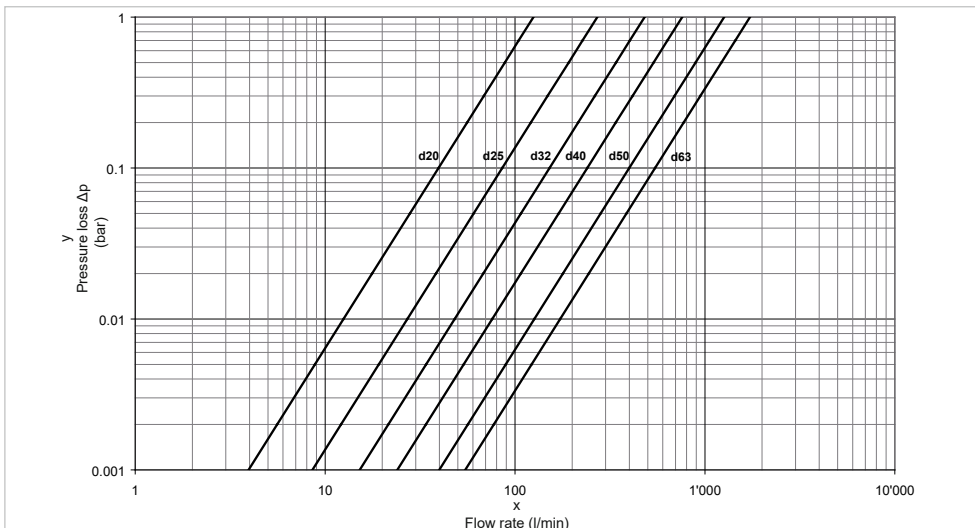
Flow characteristics type 519



x Opening angle (%)
y Kv, Cv value (%)

3.7.10 Pressure losses

Type 514 – 517



x Flow rate (l/min)
y pressure loss Δp (bar)

4 Installation

4.1 Preparation

DANGER!

Valve not suitable for application!

The valve has product-specific characteristics, installation dimensions and connections. The use of a valve unsuitable for the application can cause personal injury and damage to property as well as endanger the environment.

- ▶ Check the compatibility of the valve materials with the medium.
- ▶ Match the dimensions of the piping system with the valve as per the type plate.
- ▶ Make sure that the the pressure rating, type of connection, and connection dimensions correspond to the application conditions.

DANGER!

Uncontrolled escape of the medium!

If the pressure in the piping system has not been completely relieved, the medium can escape in an uncontrolled manner. Depending on the type of medium, risk of injury may exist.

- ▶ Completely relieve pressure in the pipe before opening.
- ▶ In case of harmful, inflammable, hot or explosive medium, completely empty and flush pipe. Possible residues must be taken into account.
- ▶ Provide for safe collection of the medium by implementing appropriate measures (e.g. connection of a collection container).
- ▶ Drain the valve with the valve in the half-open position and collect the medium.
- ▶ Hazardous medium residues may remain in the valve despite drainage.
- ▶ Wear appropriate protective equipment.

NOTE!

Incorrect storage and transport!

Improper handling can impair the functional properties and quality of the product.

- ▶ Store and transport in unopened original packing.
- ▶ Protection against harmful physical influences such as light, dust, heat, moisture, UV radiation and mechanical influences.
- ▶ Storage in delivery condition.
- ▶ Inspect for general damage before installation.
- ▶ Do not remove from the original packing until immediately before installation.
- ▶ Valves with an identifiable malfunction must not be installed.

4.2 Installation process

- ▶ Always install the valve in the open position.

DANGER!

Use of hazardous and non-approved medium!

Non-approved chemically aggressive or hot medium can attack materials, cause personal injury and endanger the environment. Components not in contact with the medium can be attacked by leakage inside the valve.

- ▶ Observe the safety data sheets or the applicable safety regulations for the medium used.
- ▶ Check the compatibility of the valve materials with the medium.
- ▶ Do not use unapproved medium.
- ▶ Regularly check the valve for wear and, if necessary, perform service.
- ▶ Wear appropriate protective equipment.
- ▶ For hot medium: Work only on cooled down system.
- ▶ In case of uncertainty regarding approved medium, contact the Georg Fischer Piping Systems Sales Company.

CAUTION!

Thermal expansion forces on piping system!

Preventing thermal expansion during temperature changes results in axial or bending forces. Piping system and valve may be damaged.

- ▶ Make sure that the forces are absorbed by suitable fixed points before or after the valve.

CAUTION!

Pipe not in aligned!

Risk of injury and/or damage to property due to leakage of the piping system because of stress forces in the piping system.

- ▶ Make sure that the valve and pipe are aligned with each other.

4.2.1 Radially mountable and dismountable valve

All materials with valve body type 514

1. Loosen the union nuts and slide them onto the intended pipe ends.
2. Depending on the type, cementing, screwing or fusing the connecting parts onto the pipe ends (specific projects are described in Georg Fischer Planning Fundamentals Industry - Glued/Fused connections).
3. Place the diaphragm valve between the connection parts.
4. Tighten the union nuts manually.

WARNING!

Tighten union nuts up to DN50 only hand-tight!

Risk of injury and/or material damage due to leaking liquids caused by overtightened or defective union nuts.

- ▶ Tighten union nuts up to DN50 only hand-tight, without auxiliary tools.
- ▶ Tighten the union nuts from DN50 with a strap wrench as per the tightening torque specified in the technical documentation.

4.2.2 Adhesive joint

PVC-U, PVC-C and ABS - with valve body types 514, 515

Only join identical materials. After the curing time, flush the pipeline section with water without pressure (see chapter "Joining technology" in Georg Fischer Planning Fundamentals Industry).

WARNING!

Connection of incompatible materials!

Risk of injury and/or damage to property due to leakage of the piping system because of connections of different, mutually incompatible materials.

- ▶ Only identical materials may be joined together by means of fused and bonded joints.
- ▶ Pipeline sections with bonded joints must be flushed with water without pressure as soon as possible after the joints have been completed.

4.2.3 Fused joint

PP-H, PP-N, PVDF, PVDF-HP - with valve body types 514, 515, 519

Only join identical materials (see chapter "Joining technology" in Georg Fischer Planning Fundamentals Industry).

WARNING!

Connection of incompatible materials!

Risk of injury and/or damage to property due to leakage of the piping system because of connections of different, mutually incompatible materials.

- ▶ Only identical materials may be joined together by means of fused and bonded joints.

4.2.4 Flange connection

All materials with valve body types 517

For the tightening torques of the screws, refer to the relevant chapters of the Georg Fischer Planning Fundamentals Industry.

CAUTION!

Leaking flange connection!

Danger of injury and/or material damage due to leaks in the piping system.

- ▶ Periodic inspection that no medium escapes to the outside.
- ▶ If medium is exiting at the flange connections, they have to be retightened.

CAUTION!

Contaminated jointing faces!

Risk of injury from contact with medium due to leaking connections.

- ▶ Protect jointing faces and connection parts from damage and poisoning, especially from hard or sharp-edged particles.

4.3 Changing the position of the connections for the control pressure

The connections for the control pressure can be positioned in 90° increments, to optimally align it to the piping system.

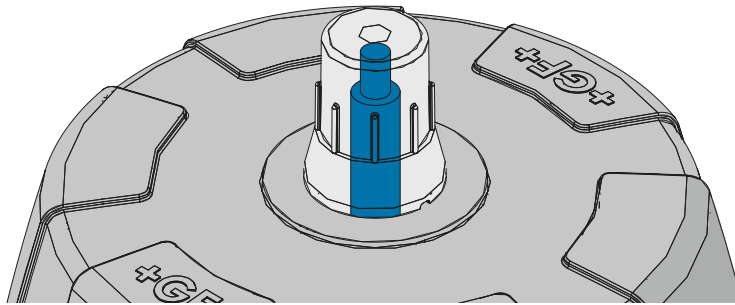
DANGER!

Uncontrolled escape of the medium!

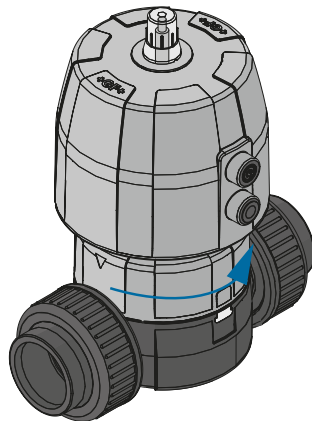
If the pressure in the piping system has not been completely relieved, the medium can escape in an uncontrolled manner. Depending on the type of medium, risk of injury may exist.

- ▶ Completely relieve pressure in the pipe before opening.
- ▶ In case of harmful, inflammable, hot or explosive medium, completely empty and flush pipe. Possible residues must be taken into account.
- ▶ Provide for safe collection of the medium by implementing appropriate measures (e.g. connection of a collection container).
- ▶ Drain the valve with the valve in the half-open position and collect the medium.
- ▶ Hazardous medium residues may remain in the valve despite drainage.
- ▶ Wear appropriate protective equipment.

1. Ensure that the diaphragm valve is depressurized and completely empty. Level and pressure sensors indicate "0".
2. Move actuator to "OPEN" position. Position indicator is at the top.



3. Screw on housing nut with strap wrench.



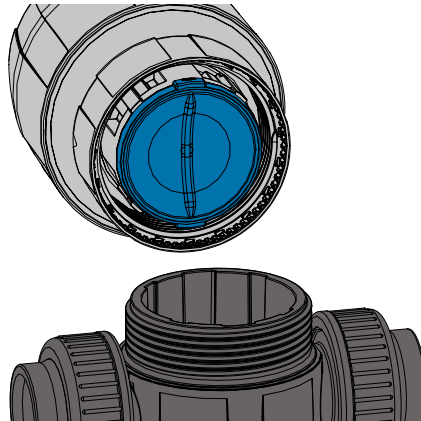
CAUTION!

Incorrect tool for housing nut!

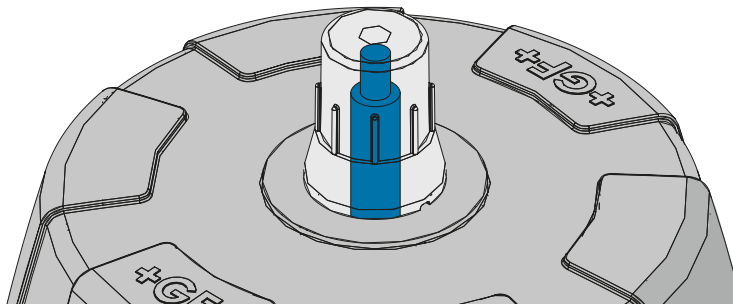
The use of incompatible tools can damage the housing nut. Escaping medium can cause personal injury and damage to property.

- ▶ Only open and close the housing nut with a strap wrench or hook wrench.

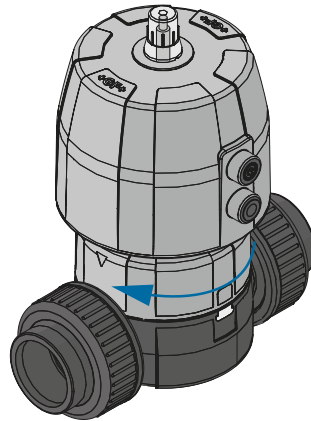
4. Turn actuator through 90°.
5. Align the diaphragm parallel to the sealing bar. In doing this, position the lugs of the diaphragm precisely between the narrow guide rails of the inner housing. Tip: Diaphragm can be aligned better in "CLOSED" position.



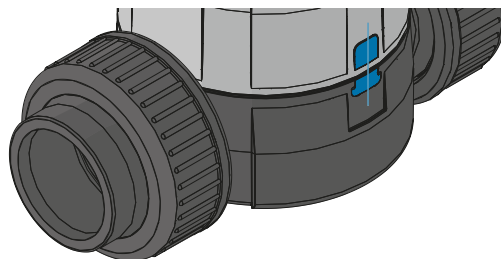
6. If necessary, move actuator to "OPEN" position. Position indicator is at the top.



7. Place actuator on valve body and hand-tighten housing nut. The diaphragm is centered.



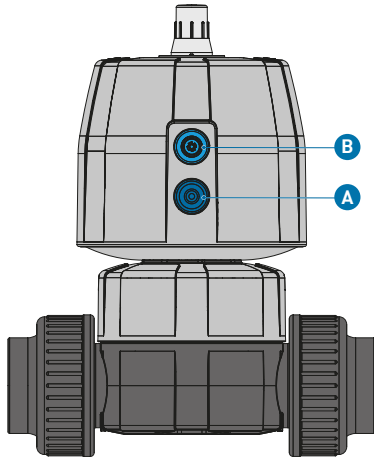
8. Tighten housing nut with strap wrench/special tool until...
 - a gap dimension of 0.5mm to 1mm is reached between the valve body and the housing nut...
 - and the alignment mark on the housing nut is aligned with the friction lock.



Note: For valves with built-in stroke limitation, it is recommended to readjust the valve after reassembly.

4.4 Connecting control pressure

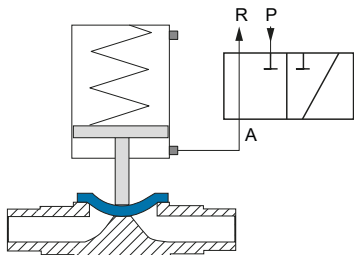
	FC	FO	DA
B CLOSE		X	X
A OPEN	X		X



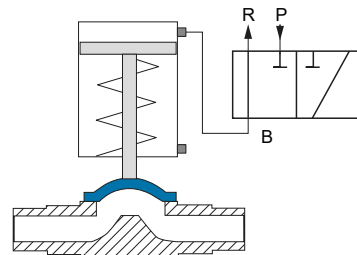
Control air connection
G 1/8" or G 1/4"

4.4.1 Diaphragm valve with mode FC / FO

Diaphragm valve with mode FC

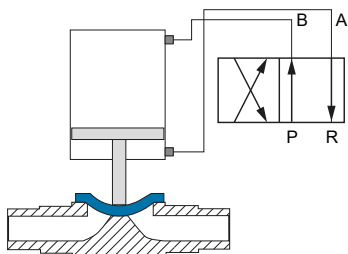


Diaphragm valve with mode FO



- ▶ Use 3/2-way pressure solenoid valves (e.g. PV94 or MNL532).
- ▶ Connect the control pressure directly to the actuator via a hollow screw or remotely via multiple connection plates or valve terminals, as required.

4.4.2 Diaphragm valve with mode DA



- ▶ Use 4/2 or 5/2 way pressure solenoid valves (e.g. MNL532 or 5470).
- ▶ Connect the control pressure directly to the actuator via a Namur connection plate or remotely via valve terminals, as required.

5 Putting into operation

5.1 Preparation

1. Check that it is working: Close the valve and open it again.
2. Flush piping system.

5.2 Pressure testing

The same instructions apply to the pressure testing of valves as to the pipe (see chapter "Processing and installation" in Georg Fischer Planning Fundamentals Industry).

1. Check that all valves are in the required open or closed position.
2. From a medium pressure of 10 bar, throttle the exhaust air of the control medium and set the actuator cycle time to approx. 3s.
3. Fill the line system with test medium and carefully vent it.
4. Build up test pressure.
5. The valves and connections should be checked for a tight seal during the pressure testing.
6. After the successful leak testing: remove the test medium.
7. Document your results.

DANGER!

Piping system not tight!

Leaky connections can cause medium to escape and cause property damage and personal injury, as well as endanger the environment.

- ▶ Check the tightness of the connections before putting into operation.
- ▶ Periodic check that no medium escapes to the outside.
- ▶ Wear appropriate protective equipment.

DANGER!

Pressure too high!

Exceeding the maximum permissible pressure can damage the piping system, causing medium to escape and cause property damage and personal injury, as well as endangering the environment.

- ▶ The component of the piping system with the lowest PN determines the maximum allowable test pressure in the piping section.
- ▶ Take measures to prevent pressure surges.
- ▶ Wear appropriate protective equipment.

CAUTION!

Maximum permissible test pressure!

For the pressure test of valves in open position, the same instructions apply as for the piping system (max. 1.5 x PN, und max. PN + 5 bar), but the test pressure in closed valve position must not exceed max. 1.1 x PN.

- ▶ For detailed information, see the Georg Fischer Planning Fundamentals.
- ▶ After successful pressure test: Remove test medium.
- ▶ Record the results.

6 Normal mode

6.1 Measures during operation

DANGER!

Use of hazardous and non-approved medium!

Non-approved chemically aggressive or hot medium can attack materials, cause personal injury and endanger the environment. Components not in contact with the medium can be attacked by leakage inside the valve.

- ▶ Observe the safety data sheets or the applicable safety regulations for the medium used.
- ▶ Check the compatibility of the valve materials with the medium.
- ▶ Do not use unapproved medium.
- ▶ Regularly check the valve for wear and, if necessary, perform service.
- ▶ Wear appropriate protective equipment.
- ▶ For hot medium: Work only on cooled down system.
- ▶ In case of uncertainty regarding approved medium, contact the Georg Fischer Piping Systems Sales Company.

DANGER!

Use of hazardous and diffusing medium!

Highly aggressive chemical medium can attack materials, cause personal injury and endanger the environment. Components not in contact with the medium can be attacked by leakage and diffusion, which can cause the housing nut to burst.

- ▶ For applications with hazardous and diffusing media, it is recommended to contact the responsible GF representative.
- ▶ Regular visual inspection of all components of the diaphragm valve is recommended. For this purpose, the valve must be completely drained, uninstalled, and disassembled.
- ▶ Wear suitable protective equipment.

DANGER!

Operation of the valve as an end fitting with hazardous medium!

By using the valve as an end fitting, aggressive medium can escape in an uncontrolled manner and cause damage to property and personal injury, as well as endangering the environment.

- ▶ Depressurize the piping system before opening the valve.
- ▶ Only open the valve as an end fitting if the medium can be collected and discharged safely.
- ▶ Wear appropriate protective equipment.

DANGER!

Piping system not tight!

Leaky connections can cause medium to escape and cause property damage and personal injury, as well as endanger the environment.

- ▶ Check the tightness of the connections before putting into operation.
- ▶ Periodic check that no medium escapes to the outside.
- ▶ Wear appropriate protective equipment.

NOTE!

Cavitation should be avoided!

Cavitation can cause damage to components in the diaphragm valve.

- ▶ Use valve only in optimal control operation.

NOTE!

Valve is seated firmly!

Valves that are in the same position all the time can get stuck over time.

- ▶ Operate at least 1-2 times a year to check that they work properly.

7 Service

7.1 Maintenance plan

Interval	Maintenance task
Regularly	▶ Check the connection between top part and valve body for leakage.
1 - 2 times a year	▶ Press to check functionality of permanently open or closed diaphragm valves.
100,000 actuations for <ul style="list-style-type: none"> • DIASTAR Ten/ TenPlus: less than 10 bar nominal pressure at 20°C and water • DIASTAR Six: less than 6 bar nominal pressure at 20°C and water 	▶ Perform a visual inspection of the valve body. ▶ Disassemble actuator and check diaphragm for damage. ▶ Replace diaphragm if damaged*.
50,000 actuations for <ul style="list-style-type: none"> • more than 10 bar nominal pressure with 20°C and water • DIASTAR Sixteen 	▶ Perform a visual inspection of the valve body. ▶ Disassemble actuator and check diaphragm for damage. ▶ Replace diaphragm if damaged*.

* Diaphragms made of PTFE (PTFE/EPDM; PTFE/FKM) must always be replaced after disassembly.

- ▶ Under deviating operating conditions (e.g. higher temperatures, medium with abrasive effect), it is recommended to carry out more frequent checks.

WARNING!

Check regularly for wear!

Components coming into contact with medium during operation are subject to wear and tear. Frequent positional movement or the use of aggressive chemical or contaminated medium results in frequent service being necessary.

- ▶ Regular implementation of visual and functional inspections of the valve corresponding to the conditions of use and the hazard potential aids in preventing leakage and damage.
- ▶ Disassembling of the valve and checking the valve internally for wear and tear at the appropriate intervals.
- ▶ Adjust the service intervals to the usage conditions and the resulting load of the valve.
- ▶ Worn components inside the valve must be replaced immediately.
- ▶ Wear appropriate protective equipment.

WARNING!

Leaking gasket!

Danger of injury due to escaping medium because of damage, aged or incorrectly lubricated gaskets.

- ▶ Store gaskets if possible in a cool (room temperature), dry and dark place.
- ▶ Before installing them, the gaskets have to be checked on possible aging damages, such as fissures and hardenings.
- ▶ Regular inspection of damage and replace gaskets as needed.
- ▶ Lubricate the gaskets with silicone or Polyol based grease. Do not use mineral oil-based greases or Vaseline (Petrolatum).
- ▶ Observe the special manufacturers notes for paint-compatible valves (LABS cleaned).

DANGER!

Do not grease the housing nut!

The use of grease, especially on amorphous plastics, can cause stress cracking on the valve body. There can be consequences after contact with hazardous medium. The functioning of the valve is no longer guaranteed.

- ▶ Do not use any grease on the threaded connection between the housing nut and the valve body.

7.2 Removal and disassembly

DANGER!

Uncontrolled escape of the medium!

If the pressure in the piping system has not been completely relieved, the medium can escape in an uncontrolled manner. Depending on the type of medium, risk of injury may exist.

- ▶ Completely relieve pressure in the pipe before opening.
- ▶ In case of harmful, inflammable, hot or explosive medium, completely empty and flush pipe. Possible residues must be taken into account.
- ▶ Provide for safe collection of the medium by implementing appropriate measures (e.g. connection of a collection container).
- ▶ Drain the valve with the valve in the half-open position and collect the medium.
- ▶ Hazardous medium residues may remain in the valve despite drainage.
- ▶ Wear appropriate protective equipment.

DANGER!

Use of hazardous and non-approved medium!

Non-approved chemically aggressive or hot medium can attack materials, cause personal injury and endanger the environment.

Components not in contact with the medium can be attacked by leakage inside the valve.

- ▶ Observe the safety data sheets or the applicable safety regulations for the medium used.
- ▶ Check the compatibility of the valve materials with the medium.
- ▶ Do not use unapproved medium.
- ▶ Regularly check the valve for wear and, if necessary, perform service.
- ▶ Wear appropriate protective equipment.
- ▶ For hot medium: Work only on cooled down system.
- ▶ In case of uncertainty regarding approved medium, contact the Georg Fischer Piping Systems Sales Company.

7.3 Replacing the diaphragm

The frequency for replacing the diaphragm depends on the number of actuator cycles and the medium used. The diaphragm can be checked by professionally disassembling the upper part.

NOTE!

The diaphragm is a consumable part!

With heavy usage the diaphragm is excessively worn and needs to be change more frequently. Worn or damaged diaphragms can cause personal injury or property damage.

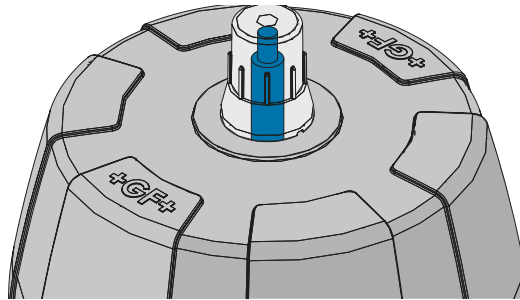
- ▶ Diaphragms and gaskets should be checked and replaced depending on the load and intensity of use.
- ▶ Only replace the diaphragm that is compatible with the valve according to the type plate.

CAUTION!

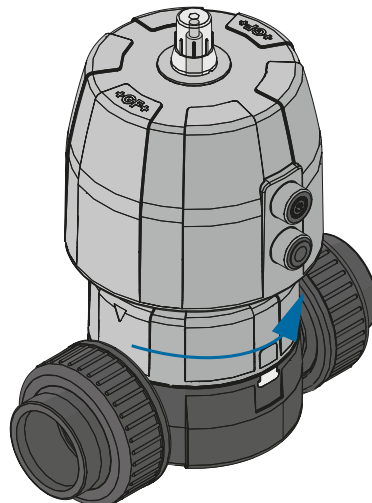
Replacing the complete diaphragm set!

If PTFE diaphragms with EPDM or FKM are used then both diaphragms must be changed.

- ▶ Make sure that both diaphragms are changed.
1. Depressurize and empty the pipe. Ensure that the diaphragm valve is depressurized and completely empty. Level and pressure sensors indicate "0".
 2. Move actuator to "OPEN" position. Position indicator is at the top.



3. Carefully unscrew the housing nut using a strap wrench (available separately).



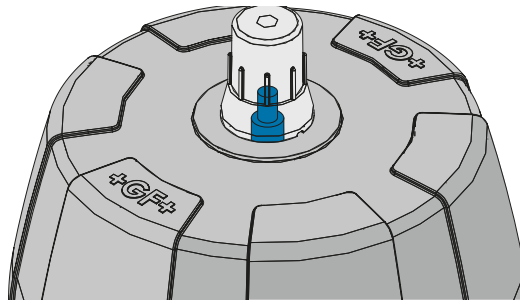
CAUTION!

Incorrect tool for housing nut!

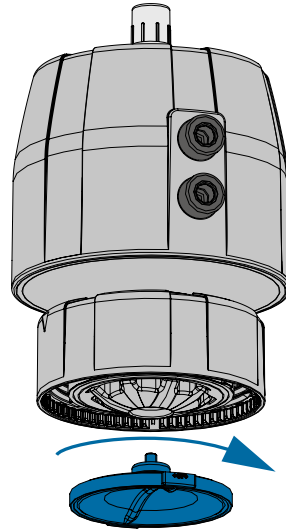
The use of incompatible tools can damage the housing nut. Escaping medium can cause personal injury and damage to property.

- ▶ Only open and close the housing nut with a strap wrench or hook wrench.

4. Move actuator to "CLOSED" position.



5. To remove the diaphragm from the housing: Hold actuator and turn diaphragm counterclockwise.



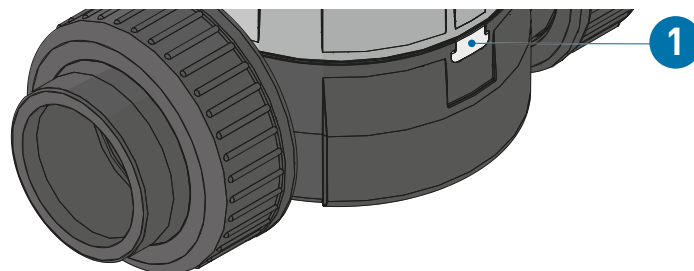
6. Install a new diaphragm in the same position as the old diaphragm.
- ▶ Place the actuator straight up for the first rotations, this is so that the grub screw of the diaphragm holder can grip the diaphragm.
 - ▶ Screw in the diaphragm clockwise hand-tight.
 - ▶ Turn back the diaphragm again at least 90° / maximum 360°. Re-align the sealing bead of the diaphragm parallel to the sealing bar. The lugs of the diaphragm must be positioned exactly between the narrow guides groove of the inner housing.

WARNING!

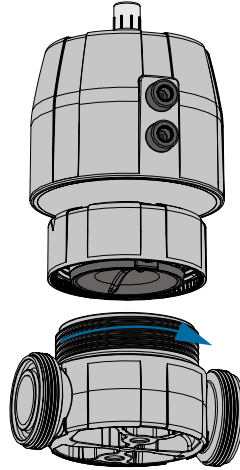
Diaphragm screwed in incorrectly!

If the diaphragm is not correctly screwed into the inner housing as specified, leaks and material damage may occur. The function of the valve is no longer guaranteed.

- ▶ Screw the diaphragm correctly into the inner housing.
7. If the diaphragm material is changed: Loosen and remove the friction lock (1) on the valve body using a screwdriver. Press in the new friction lock.



8. Place actuator with housing nut on valve body and position: Align through-bead of diaphragm parallel to sealing web.



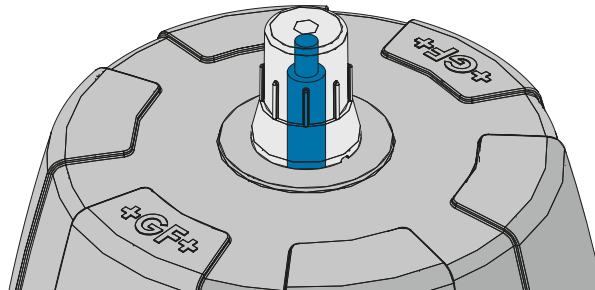
DANGER!

Do not grease the housing nut!

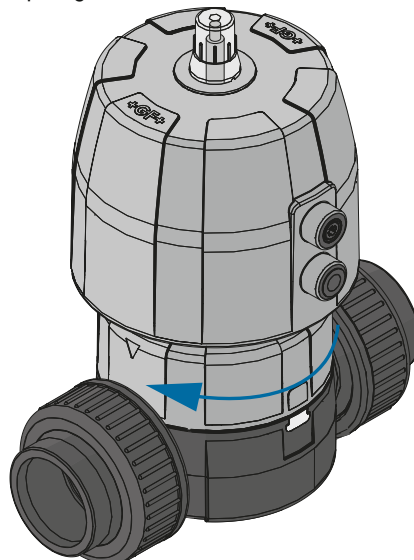
The use of grease, especially on amorphous plastics, can cause stress cracking on the valve body. There can be consequences after contact with hazardous medium. The functioning of the valve is no longer guaranteed.

- ▶ Do not use any grease on the threaded connection between the housing nut and the valve body.

9. Move actuator to "OPEN" position. Position indicator is at the top.

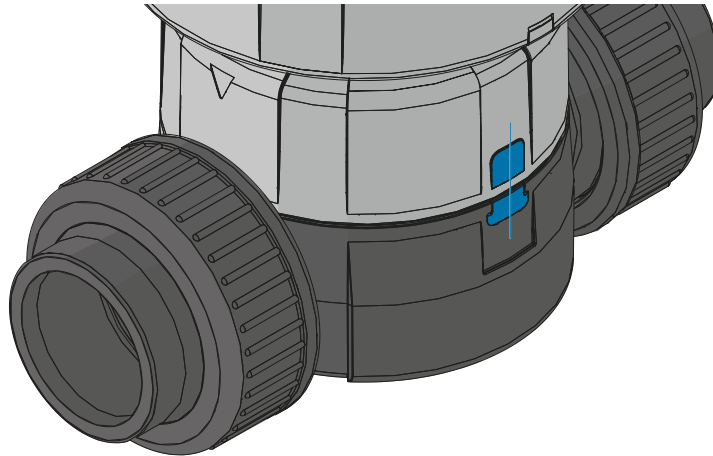


10. Tighten the housing nut hand-tight. The diaphragm is centered.



11. Tighten housing nut with strap wrench/special tool until...

- a gap dimension of 0.5mm to 1mm is reached between the valve body and the housing nut...
- and the semicircular indicator on the housing nut is aligned with the friction lock on the valve body.



Note: For valves with built-in stroke limitation, it is recommended to readjust the valve after reassembly.

8 Troubleshooting

Malfunction	Possible Cause	Troubleshooting
Leakage to the outside at flange connection	Temperature change	▶ Tighten connection and replace gasket if necessary.
	Gasket defective	▶ Replace gasket.
Leakage to the outside at union nut	Loose connection of union nut and valve body	▶ Tighten the connection hand-tight.
	Gasket defective	▶ Replace gasket.
Leakage between valve body and housing nut connection	Housing nut not tightened correctly	▶ Tighten the housing nut.
	Diaphragm wear	▶ Replace diaphragm.
	Valve body defective	▶ Check valve body for damage and replace if necessary.
	Diaphragm not correctly installed/aligned	▶ Check that the diaphragm is correctly installed.
Seat leakage/through hole leakage	Diaphragm wear	▶ Replace diaphragm.
Leakage of control medium from unconnected air connection	Gasket wear	▶ Change spindle and piston gaskets.
Leakage of the control medium at vent outlet	Wear of the gaskets and diaphragms	▶ Change spindle and piston gaskets.
Fitting does not perform the specified stroke or does not close or open	Incorrect control pressure level selected	▶ Check the control pressure.
	Function and connections for control medium do not match	▶ Check the (FC, FO, DA) functions and related connections.
	Defective aeration and venting line	▶ Check that the aeration and deaeration line work.
Diaphragm valve does not open completely	Diaphragm not correctly installed/aligned	▶ Check that the diaphragm is correctly installed.
Diaphragm valve does not close completely	Pressure in the piping system too high	▶ Valve operated only within the specified data.
	Foreign body between diaphragm and valve body	▶ Remove foreign bodies and check valve body and diaphragm for damage.
	Components defective	▶ Check valve body and diaphragm for damage and replace if necessary.
Valve actuation sluggish	Wear of the spindle or gaskets	▶ Replace gaskets and, if necessary, functional parts.
Pipe and/or diaphragm valve deform or expand	Pipe forces are too high	▶ Improve support of the pipe.
Premature wear of the diaphragm valve or individual parts	Material are not sufficiently resistant	▶ Select suitable materials, see Georg Fischer Planning Fundamentals Industry.
	Medium is contaminated	▶ Check/clean medium for contamination.

Diaphragm wears out prematurely	Control pressure too high	▶ Select the control pressure according to the corresponding control pressure diagram.
	Function and connections for control medium do not match	▶ Check the (FC, FO, DA) functions and related connections.
	Actuator not selected to match medium pressure	▶ Select suitable drive type.
	Dirty vent hole	▶ Check and clean the vent hole on the top part.
White discoloration on the housing nut	Chemical damage	▶ Immediate diaphragm replacement and all worn components under all specified safety procedures.

9 Accessories and Spare Parts

CAUTION!

Do not make any changes to the product!

Material damage and/or risk of injury due to modifications to the product or incompatible spare parts.

- ▶ Secure the system/device against unintentional operation.
- ▶ Do not use defective spare parts.

CAUTION!

Incorrect spare parts!

When replacing, only original Georg Fischer Piping Systems spare parts intended for the valve type may be used.

- ▶ Use only original spare parts from Georg Fischer Piping Systems with the specifications according to the type plate.

9.1 Accessories

- Electrical position indicator with switch types AgNi and Au
- Conversion to pressure safe housing
- Strap wrench
- Pressure solenoid valve: Type PV94/95, MNL532, 5470

10 Disposal

- ▶ Before disposing of the different materials, separate them into recyclables, normal waste and special waste.
- ▶ Comply with local legal regulations and provisions when recycling or disposing of the product, the individual components and the packaging.
- ▶ Observe country-specific regulations, standards and guidelines.

WARNING!

Contaminated components!

Parts of the product may be contaminated with medium that are harmful to health and the environment meaning that simple cleaning is not sufficient! Risk of personal injury and damage to the environment caused by these medium. Before disposing of the product:

- ▶ Collect leaking medium and dispose of in accordance with local regulations.
- ▶ Consult the safety data sheet of the medium used.
- ▶ Neutralize any medium residues in the product.
- ▶ Separation and disposal of materials (plastics, metals, etc.) according to local regulations.

Worldwide at home

Our sales companies and representatives ensure local customer support in more than 100 countries.

www.gfps.com

Argentina / Southern South America

Georg Fischer Central Plastics Sudamérica S.R.L.
Buenos Aires / Argentina
Phone +54 11 4512 02 90
gfcentral.ps.ar@georgfischer.com
www.gfps.com/ar

Australia

Georg Fischer Pty Ltd
Riverwood NSW 2210
Phone +61 (0) 2 9502 8000
australia.ps@georgfischer.com
www.gfps.com/au

Austria

Georg Fischer Rohrleitungssysteme GmbH
3130 Herzogenburg
Phone +43 (0) 2782 856 43-0
austria.ps@georgfischer.com
www.gfps.com/at

Belgium / Luxembourg

Georg Fischer NV/SA
1600 Sint-Pieters-Leeuw / Belgium
Phone +32 (0) 2 556 40 20
Fax +32 (0) 2 524 34 26
be.ps@georgfischer.com
www.gfps.com/be

Brazil

Georg Fischer Sist. de Tub. Ltda.
04571-020 São Paulo/SP
Phone +55 (0) 11 5525 1311
br.ps@georgfischer.com
www.gfps.com/br

Canada

Georg Fischer Piping Systems Ltd
Mississauga, ON L5T 2B2
Phone +1 (905) 670 8005
Fax +1 (905) 670 8513
ca.ps@georgfischer.com
www.gfps.com/ca

China

Georg Fischer Piping Systems Ltd
Shanghai 201319
Phone +86 21 3899 3899
china.ps@georgfischer.com
www.gfps.com/cn

Denmark / Iceland

Georg Fischer A/S
2630 Taastrup / Denmark
Phone +45 (0) 70 22 19 75
info.dk.ps@georgfischer.com
www.gfps.com/dk

Finland

Georg Fischer AB
01510 Vantaa
Phone +358 (0) 9 586 58 25
Fax +358 (0) 9 586 58 29
info.fi.ps@georgfischer.com
www.gfps.com/fin

France

Georg Fischer SAS
95932 Roissy Charles de Gaulle Cedex
Phone +33 (0) 1 41 84 68 84
fr.ps@georgfischer.com
www.gfps.com/fr

Germany

Georg Fischer GmbH
73095 Albershausen
Phone +49 (0) 7161 302 0
info.de.ps@georgfischer.com
www.gfps.com/de

India

Georg Fischer Piping Systems Pvt. Ltd
400 083 Mumbai
Phone +91 22 4007 2000
Fax +91 22 4007 2020
branchoffice@georgfischer.com
www.gfps.com/in

Indonesia

PT Georg Fischer Indonesia
Karawang 41371, Jawa Barat
Phone +62 267 432 044
Fax +62 267 431 857
indonesia.ps@georgfischer.com
www.gfps.com/id

Italy

Georg Fischer S.p.A.
20864 Agrate Brianza (MB)
Phone +39 02 921 86 1
Fax +39 02 921 86 24 7
it.ps@georgfischer.com
www.gfps.com/it

Japan

Georg Fischer Ltd
530-0003 Osaka
Phone +81 (0) 6 6341 2451
jp.ps@georgfischer.com
www.gfps.com/jp

Korea

Georg Fischer Korea Co. Ltd
Unit 2501, U-Tower
120 Heungdeok Jungang-ro
(Yeongdeok-dong)
Giheung-gu, Yongin-si, Gyeonggi-do
Phone +82 31 8017 1450
Fax +82 31 217 1454
kor.ps@georgfischer.com
www.gfps.com/kr

Malaysia

Georg Fischer (M) Sdn. Bhd.
41200 Klang, Selangor Darul Ehsan
Phone +60 (0) 3 3122 5585
Fax +60 (0) 3 3122 5575
my.ps@georgfischer.com
www.gfps.com/my

Mexico / Northern Latin America

Georg Fischer S.A. de C.V.
CP 66603 Apodaca, Nuevo León / Mexico
Phone +52 (81) 1340 8586
Fax +52 (81) 1522 8906
mx.ps@georgfischer.com
www.gfps.com/mx

Middle East

Georg Fischer Piping Systems (Switzerland) Ltd
Dubai / United Arab Emirates
Phone +971 4 289 49 60
gcc.ps@georgfischer.com
www.gfps.com/int

Netherlands

Georg Fischer N.V.
8161 PA Epe
Phone +31 (0) 578 678 222
nl.ps@georgfischer.com
www.gfps.com/nl

New Zealand

Georg Fischer Ltd
5018 Upper Hutt
Phone +04 527 9813
Fax +04 527 9834
nz.ps@georgfischer.com
www.gfps.com/nz

Norway

Georg Fischer AS
1351 Rud
Phone +47 67 18 29 00
no.ps@georgfischer.com
www.gfps.com/no

Philippines

Georg Fischer Pte. Ltd.
Philippines Representative Office
1500 San Juan City
Phone +632 571 2365
Fax +632 571 2368
sgp.ps@georgfischer.com
www.gfps.com/sg

Poland

Georg Fischer Sp. z o.o.
05-090 Sekocin Nowy
Phone +48 (0) 22 31 31 0 50
poland.ps@georgfischer.com
www.gfps.com/pl

Romania

Georg Fischer Piping Systems (Switzerland) Ltd
020257 Bucharest - Sector 2
Phone +40 (0) 21 230 53 80
ro.ps@georgfischer.com
www.gfps.com/int

Russia

Georg Fischer Piping Systems (Switzerland) Ltd
Moscow 125040
Phone +7 495 748 11 44
ru.ps@georgfischer.com
www.gfps.com/ru

Singapore

Georg Fischer Pte Ltd
528 872 Singapore
Phone +65 6747 0611
Fax +65 6747 0577
sgp.ps@georgfischer.com
www.gfps.com/sg

Spain / Portugal

Georg Fischer S.A.
28046 Madrid / Spain
Phone +34 (0) 91 781 98 90
es.ps@georgfischer.com
www.gfps.com/es

Sweden

Georg Fischer AB
117 43 Stockholm
Phone +46 (0) 8 506 775 00
info.se.ps@georgfischer.com
www.gfps.com/se

Switzerland

Georg Fischer Rohrleitungssysteme (Schweiz) AG
8201 Schaffhausen
Phone +41 (0) 52 631 3026
ch.ps@georgfischer.com
www.gfps.com/ch

Taiwan

Georg Fischer Co. Ltd
San Chung Dist., New Taipei City
Phone +886 2 8512 2822
Fax +886 2 8512 2823
www.gfps.com/tw

United Kingdom / Ireland

Georg Fischer Sales Limited
Coventry, CV2 2ST / United Kingdom
Phone +44 (0) 2476 535 535
uk.ps@georgfischer.com
www.gfps.com/uk

USA / Caribbean

Georg Fischer LLC
92618 Irvine, CA / USA
Phone +1 714 731 8800
Fax +1 714 731 6201
us.ps@georgfischer.com
www.gfps.com/us

Vietnam

Georg Fischer Pte Ltd
Representative Office
Ho Chi Minh City
Phone +84 28 3948 4000
Fax +84 28 3948 4010
sgp.ps@georgfischer.com
www.gfps.com/vn

International

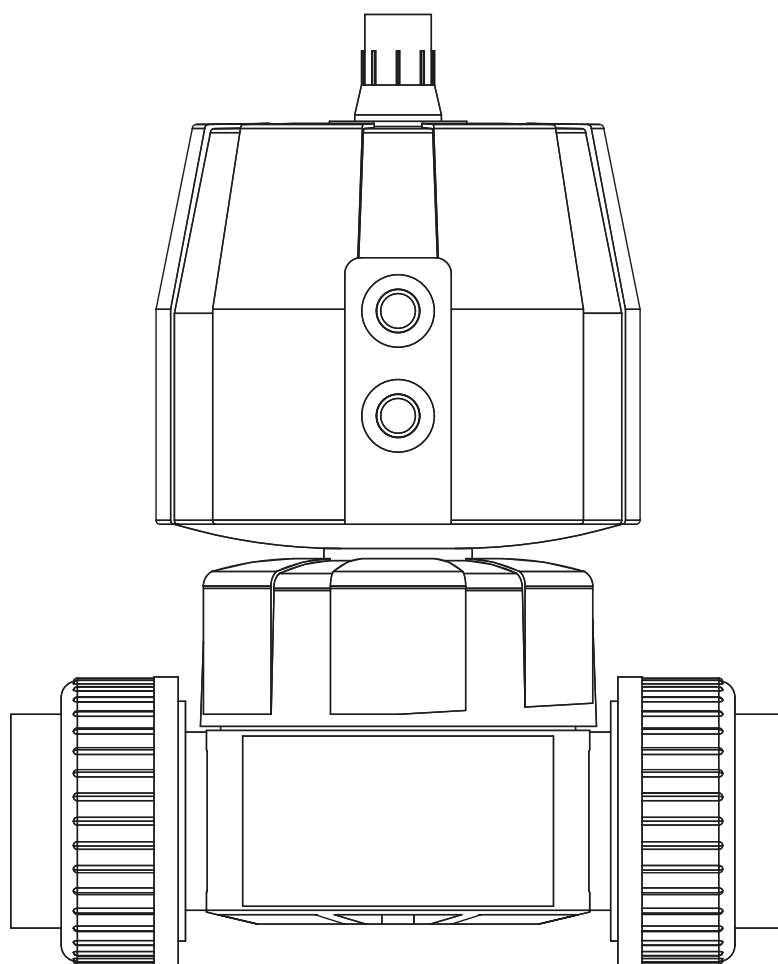
Georg Fischer Piping Systems (Switzerland) Ltd
8201 Schaffhausen / Switzerland
Phone +41 (0) 52 631 3003
Fax +41 (0) 52 631 2893
info.export@georgfischer.com
www.gfps.com/int

The information and technical data (altogether "Data") herein are not binding, unless explicitly confirmed in writing. The Data neither constitutes any expressed, implied or warranted characteristics, nor guaranteed properties or a guaranteed durability. All Data is subject to modification. The General Terms and Conditions of Sale of Georg Fischer Piping Systems apply.

Pneumatisches Membranventil

DIASTAR

Betriebsanleitung



Originalbetriebsanleitung

Haftungsausschluss

Die technischen Daten sind unverbindlich. Sie gelten nicht als zugesicherte Eigenschaften oder als Beschaffenheits- oder Haltbarkeitsgarantien. Änderungen vorbehalten. Es gelten unsere Allgemeinen Verkaufsbedingungen.

Inhaltsverzeichnis

1	Zu diesem Dokument	45
1.1	Mitgeltende Dokumente	45
1.2	Symbole	45
1.3	Abkürzungen	45
1.4	Verwendete Begriffe	45
2	Sicherheitshinweise	46
2.1	Bedeutung der Signalwörter	46
2.2	Betriebsanleitung beachten	46
2.3	Sicherheit und Verantwortung	46
2.4	Hinweise für Service- und Bedienpersonal	47
3	Produktbeschreibung	48
3.1	Bestimmungsgemäße Verwendung	48
3.2	Nicht bestimmungsgemäße Verwendung	48
3.3	EG-Konformitätserklärung	48
3.4	Typenübersicht	49
3.5	Aufbau und Funktion	49
3.6	Identifikation	51
3.7	Technische Daten	52
4	Installation	61
4.1	Vorbereitung	61
4.2	Installationsvorgang	62
4.3	Position der Anschlüsse für den Steuerdruck verändern	64
4.4	Steuerdruck anschliessen	66
5	Inbetriebnahme	67
5.1	Vorbereitung	67
5.2	Druckprobe	67
6	Normalbetrieb	68

6.1	Massnahmen während Betrieb	68
7	Wartung	69
7.1	Wartungsplan	69
7.2	Ausbau und Demontage	70
7.3	Auswechseln der Membrane	71
8	Störungsbehebung	75
9	Zubehör und Ersatzteile	76
9.1	Zubehör	76
10	Entsorgung	76

1 Zu diesem Dokument

1.1 Mitgeltende Dokumente

Dokument	
Georg Fischer Planungsgrundlagen Industrie	700671686
Datenblatt	www.gfps.com/is-manuals-valves
Chemische Beständigkeit	www.gfps.com

Diese Unterlagen sind über die Georg Fischer Vertriebsgesellschaft oder unter www.gfps.com erhältlich.

1.2 Symbole

Symbol	Bedeutung
•	Aufzählung in nicht definierter Reihenfolge.
▶	Handlungsaufforderung: Hier muss etwas getan werden.
1.	Handlungsaufforderung in einer Handlungsabfolge: Hier muss etwas in der vorgegebenen Reihenfolge getan werden.

1.3 Abkürzungen

Abkürzung	Bedeutung
DN	Nenndurchmesser
PN	Nenndruck
FC	Funktion FC/Federkraft schliessend
FO	Funktion FO/Federkraft öffnend
DA	Funktion DA/doppelwirkend

1.4 Verwendete Begriffe

Begriff	Bedeutung
Ventil	Pneumatisches Membranventil DIASTAR
Medium	Betriebsmedium, welches durch das Ventil fließt.

2 Sicherheitshinweise

Die Sicherheitshinweise gelten für den Einsatz wie beschrieben unter „Bestimmungsgemäße Verwendung“.

Die Sicherheitshinweise decken folgende Fälle nicht ab:

- Bei Installation, Betrieb und Wartung zufällig auftretende Ereignisse.
- Für die lokalen und ortsbezogenen Sicherheitsbestimmungen ist der Betreiber verantwortlich.

2.1 Bedeutung der Signalwörter

In dieser Anleitung werden Warnhinweise verwendet, um den Anwender vor Tod, Verletzungen oder vor Sachschäden zu warnen. Diese Warnhinweise müssen immer gelesen und beachtet werden!

GEFAHR!

Unmittelbar drohende Gefahr!

Bei Nichtbeachtung drohen Tod oder schwerste Verletzungen.

- ▶ Massnahmen, um die Gefahr zu vermeiden.

WARNUNG!

Möglicherweise drohende Gefahr!

Bei Nichtbeachtung drohen schwere Verletzungen.

- ▶ Massnahmen, um die Gefahr zu vermeiden.

VORSICHT!

Gefährliche Situation!

Bei Nichtbeachtung drohen leichte Verletzungen.

- ▶ Massnahmen, um die Gefahr zu vermeiden.

HINWEIS!

Gefährliche Situation!

Bei Nichtbeachtung drohen Sachschäden.

2.2 Betriebsanleitung beachten

Die Betriebsanleitung ist Teil des Produkts und ein wichtiger Baustein im Sicherheitskonzept.

- ▶ Betriebsanleitung lesen und befolgen.
- ▶ Betriebsanleitung stets am Produkt verfügbar halten.
- ▶ Betriebsanleitung an alle nachfolgenden Verwender des Produkts weitergeben.

2.3 Sicherheit und Verantwortung

- ▶ Produkt nur bestimmungsgemäss verwenden, siehe „Bestimmungsgemäße Verwendung“.
- ▶ Kein beschädigtes oder defektes Produkt verwenden. Beschädigtes Produkt sofort austauschen.
- ▶ Sicherstellen, dass Rohrleitungssystem fachgerecht verlegt ist und regelmässig überprüft wird.
- ▶ Für Ventile gelten dieselben Sicherheitsvorschriften wie für das Rohrleitungssystem, in das sie eingebaut werden.

2.4 Hinweise für Service- und Bedienpersonal

Folgende Zielgruppen werden in dieser Betriebsanleitung angesprochen:

Bediener

Bediener sind in die Bedienung des Produktes eingewiesen und befolgen die Sicherheitsvorschriften.

Servicepersonal

Das Servicepersonal verfügt über eine fachtechnische Ausbildung und führt die Installation, Inbetriebnahme, sowie Wartungsarbeiten durch.

GEFAHR!

Unsachgemässe Handhabung!

Fehlerhafte Installation, Inbetriebnahme oder Wartung können Personen- und Sachschäden verursachen, sowie die Umwelt gefährden.

- ▶ Installation und Inbetriebnahme von Produkt und Zubehör ausschliesslich durch Personen, welche die erforderliche Ausbildung, Kenntnis oder Erfahrung haben.
- ▶ Regelmässige Unterweisung von Personal in allen zutreffenden Fragen der örtlich geltenden Vorschriften für Arbeitssicherheit und Umweltschutz, vor allem für druckführende Rohrleitungen.

GEFAHR!

Einsatz gefährlicher und nicht zugelassener Medien!

Nicht zugelassene chemisch aggressive oder heisse Medien können Werkstoffe angreifen, Personenschäden verursachen sowie die Umwelt gefährden.

Nicht medienberührende Bauteile können durch Leckagen innerhalb des Ventils angegriffen werden.

- ▶ Beachten der Sicherheitsdatenblätter bzw. die geltenden Sicherheitsvorschriften für verwendete Medien.
- ▶ Überprüfen der Kompatibilität der Ventilwerkstoffe mit dem Medium.
- ▶ Keine Verwendung nicht zugelassener Medien.
- ▶ Regelmässiges Prüfen des Ventils auf Verschleiss und ggf. Vornehmen einer Wartung.
- ▶ Tragen von geeigneter Schutzausrüstung.
- ▶ Bei heissen Medien: Arbeiten nur an abgekühlter Anlage.
- ▶ Bei Unsicherheiten bezüglich zugelassener Medien ist die Georg Fischer Piping Systems Vertriebsgesellschaft zu kontaktieren.

3 Produktbeschreibung

3.1 Bestimmungsgemässe Verwendung

Das pneumatische Membranventil DIASTAR ist ausschliesslich dazu bestimmt in ein dazu kompatibles industrielles Rohrleitungssystem eingebaut zu werden und dort zugelassene Medien abzusperren, durchzuleiten oder den Durchfluss zu regeln.

Es darf ausschliesslich innerhalb der chemischen Beständigkeit der gesamten Armatur und aller Komponenten eingesetzt werden.

3.2 Nicht bestimmungsgemässe Verwendung

Jeder andere Gebrauch als der in "Bestimmungsgemässe Verwendung" beschriebene ist nicht bestimmungsgemäss und deshalb unzulässig. Wenn ungeeignete Produkte in sicherheitsrelevanten Anwendungen eingebaut oder verwendet werden, können unbeabsichtigte Betriebszustände in der Anwendung auftreten, die Personen und/oder Sachschäden verursachen können. Das Produkt nur dann in sicherheitsrelevanten Anwendungen einsetzen, wenn diese Verwendung ausdrücklich in der Dokumentation des Produkts spezifiziert und erlaubt ist.

Für Schäden bei nicht bestimmungsgemässer Verwendung übernimmt Georg Fischer Piping Systems Ltd. keine Haftung. Die Risiken bei nicht bestimmungsgemässer Verwendung liegen allein beim Benutzer.

3.3 EG-Konformitätserklärung

Der Hersteller Georg Fischer Piping Systems Ltd., 8201 Schaffhausen (Schweiz) erklärt, dass die nachfolgend genannten Maschinen gemäss der aufgelisteten harmonisierten Bauart-Normen Maschinen im Sinne der EG-Maschinenrichtlinie 2006/42/EG, Anhang II A sind, und solchen Anforderungen dieser Richtlinie entsprechen, die für Maschinen zutreffen. Die technischen Unterlagen für Maschinen wurden gemäss Anhang VII, Teil A dieser Richtlinie erstellt und die CE-Kennzeichnungen an den Maschinen zeigen diese Übereinstimmung an. Des Weiteren erklären wir, dass die Maschinen mit den einschlägigen Bestimmungen weiterer angegebener EU-Richtlinien konform sind.

Produktgruppe	Typenbezeichnung	Weitere Richtlinien und Harmonisierte Bauart-Normen
Pneumatische Membranventile	DIASTAR Six	• EN ISO 16138
	DIASTAR Ten	• 2006/42/EG
	DIASTAR TenPlus	• 2014/68/EU
	DIASTAR Sixteen	• 2011/65/EU
		• EN ISO 12100
		• EN 1349
		• EN ISO 4414
		• NE 19

Schaffhausen, den 09.04.2024

Bastian Lübke

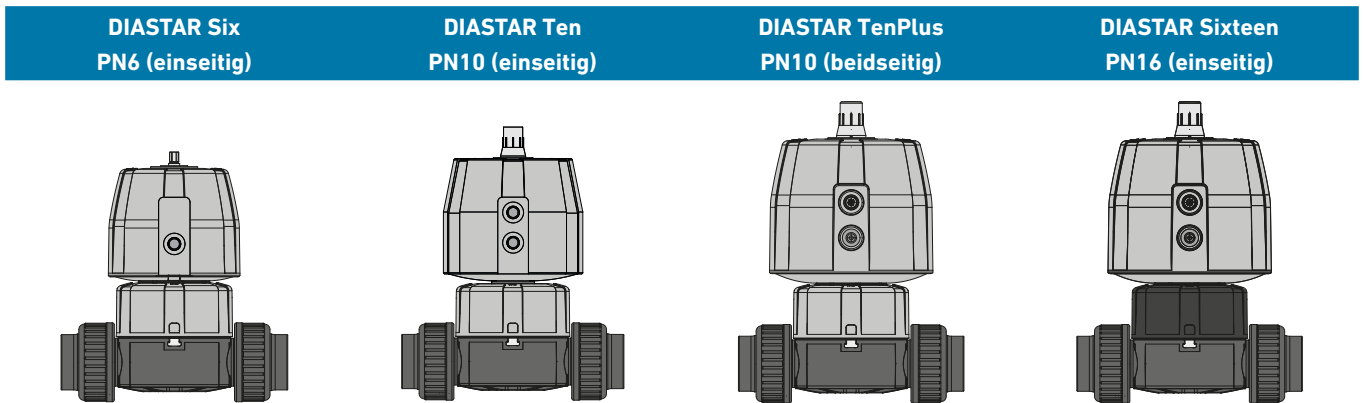
Head of Global R&D

Georg Fischer Piping Systems Ltd.

CH-8201 Schaffhausen (Switzerland)



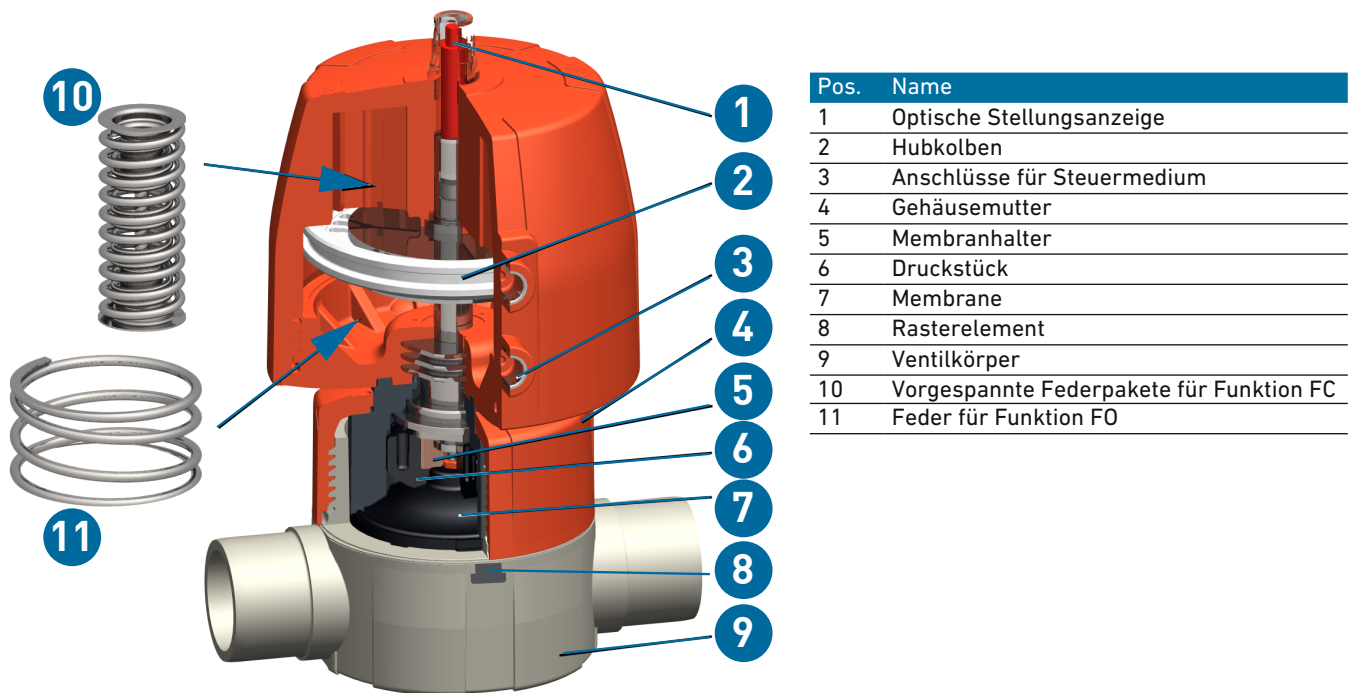
3.4 Typenübersicht



3.5 Aufbau und Funktion

3.5.1 Aufbau

Der konstruktive Aufbau des Ventils ist bei den vier Ventilkörper-Typen, mit Ausnahme der Anschlüsse identisch.



Funktionsweise DA ohne Feder (Pos. 10 oder 11).

3.5.2 Funktion

Funktion FC

Im Ruhezustand ist das Ventil durch Federkraft geschlossen. Wird der Stellantrieb mit dem Steuerdruck beaufschlagt (Anschluss unten), öffnet das Ventil. Entweicht der Steuerdruck, wird das Ventil durch die Federkraft geschlossen.

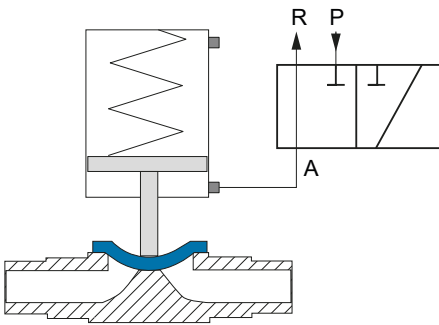
Funktion FO

Im Ruhezustand ist das Ventil durch Federkraft geöffnet. Wird der Stellantrieb mit dem Steuerdruck beaufschlagt (Anschluss oben), schliesst das Ventil. Entweicht der Steuerdruck, wird das Ventil durch die Federkraft geöffnet.

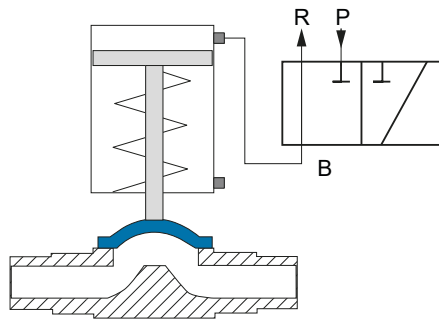
Funktion DA

Das Ventil hat keine definierte Grundposition. Öffnen und Schliessen des Ventils wird durch Anlegen des Steuerdrucks an den entsprechenden Anschluss realisiert (Anschluss oben für Schliessen, Anschluss unten für Öffnen).

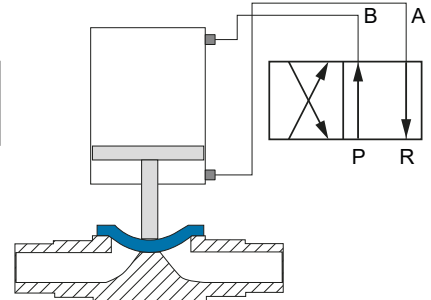
Auswahl Magnetventil und zugehörige Anschlussgewinde



Funktion FC mit einem Vorsteuer-magnetventil 3/2-Wege beim Anschluss unten



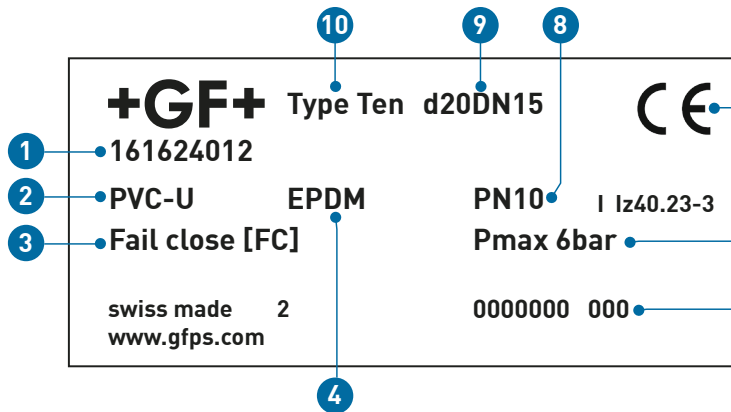
Funktion FO mit einem Vorsteuer-magnetventil 3/2-Wege beim Anschluss oben



Funktion DA mit einem Vorsteuer-magnetventil 4/2- bzw. 5/2-Wege. Beide Anschlüsse werden verwendet.

3.6 Identifikation

3.6.1 Membranventil

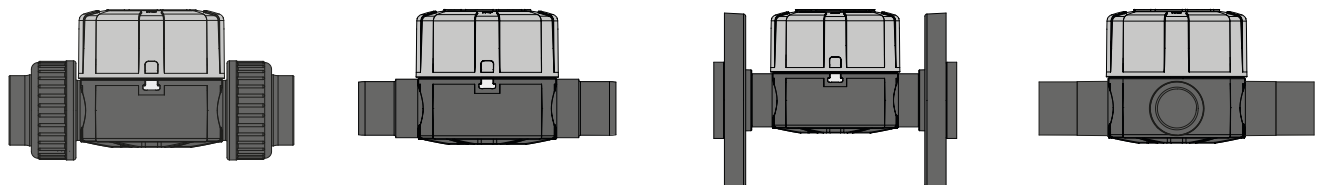


Pos.	Name
1	Bestellnummer
2	Ventilkörperwerkstoff
3	Funktionsweise
4	Membranwerkstoff
5	Seriennummer
6	Max. Steuerdruck
7	CE-Kennzeichnung und Zulassungen
8	Nenndruck
9	Dimension
10	DIASTAR Typ

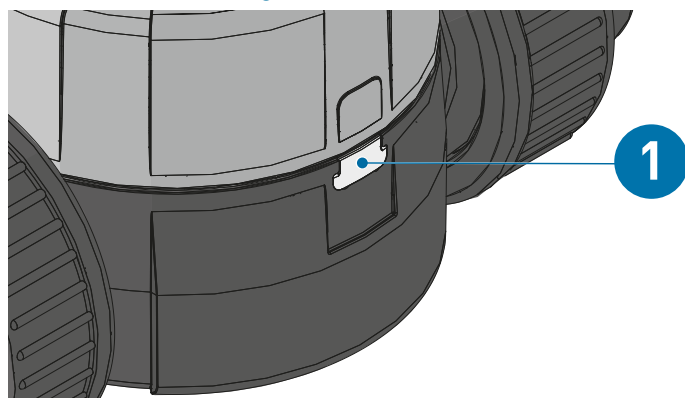
3.6.2 Ventilkörper

Die Ventilkörper sind für unterschiedliche Anschlussvarianten geeignet:

Typ 514	Typ 515	Typ 517	Typ 519
Radial ein- und ausbaubar	Stutzenvariante	Flanschvariante	Abgangventil



3.6.3 Erkennungsmerkmal Membranwerkstoff



Pos.	Name
1	Rasterelement

Die Farbe des Rasterelements am Ventilkörper zeigt den Membranwerkstoff an.

Rasterelement Farbe	Membranwerkstoff	O-Ring*
Schwarz	EPDM	EPDM
Weiss	PTFE/EPDM	FKM
Grün	PTFE/FKM	FKM
Rot	FKM	FKM
Blau	NBR	EPDM

*für Typ 514

3.7 Technische Daten

3.7.1 Spezifikationen

























Spezifikationen			
Zugelassene Medien	Flüssige und gasförmige Medien, welche im Normalbetrieb die physikalischen und chemischen Eigenschaften des jeweiligen Ventilkörpers, sowie des Membranwerkstoffes nicht negativ beeinflussen. Informationen über die chemische Beständigkeit sind über die Georg Fischer Vertriebsgesellschaft oder unter www.gfps.com erhältlich.		
Dimensionen	Typ Six	d20/DN15 – d63/DN50, 3/8" – 2"	
	Typ Ten	d20/DN15 – d63/DN50, 3/8" – 2"	
	Typ TenPlus	d20/DN15 – d63/DN50, 3/8" – 2"	
	Typ Sixteen	d20/DN15 – d63/DN50, 1/2" – 2"	
Werkstoffe	Ventilkörper	Typ Six	PVC-U, PVC-C, ABS, PP-H
		Typ Ten	PVC-U, PVC-C, ABS, PP-H, PP-N, PVDF, PVDF-HP
		Typ TenPlus	PVC-U, PVC-C, ABS, PP-H, PP-N, PVDF, PVDF-HP
		Typ Sixteen	PVC-U, PVC-C, ABS, PVDF, PVDF-HP
	Gehäusemutter	PPGF30 für PN10 PPSGF40 für PN16 (nur Wasseranwendungen)	
		Dichtungen/ Membrane ¹⁾	Typ Six
	Typ Ten		EPDM, PTFE/EPDM, FKM, PTFE/FKM, NBR, FFKM
	Typ TenPlus		EPDM, PTFE/EPDM, FKM, PTFE/FKM, NBR, FFKM
Typ Sixteen	EPDM, PTFE/EPDM, FKM, PTFE/FKM, NBR, FFKM		
Typenübersicht	Typ Six	Nenndruck: 6 bar	Mediumsdruck: einseitig
	Typ Ten	Nenndruck: 10 bar	Mediumsdruck: einseitig
	Typ TenPlus	Nenndruck: 10 bar	Mediumsdruck: beidseitig
	Typ Sixteen	Nenndruck: 16 bar	Mediumsdruck: einseitig
Betriebstemperatur ²⁾ (Werkstoff Ventilkörper)	PVC-U	0 bis 60 °C	
	PVC-C	0 bis 80 °C	
	ABS	-30 bis 60 °C	
	PP	0 bis 80 °C	
	PVDF	-20 bis 140 °C	
Funktionen	Typ Six	FC	
	Typ Ten	FC, FO, DA	
	Typ TenPlus	FC	
	Typ Sixteen	FC, FO, DA	
Antrieb	Pneumatisch		
Anschlüsse	Typ 514	Verschraubung mit Klebemuffen, Gewindemuffen, Schweissmuffen, Stumpfschweiss-Stutzen	
	Typ 515	Klebestutzen, Muffenschweiss-Stutzen, Stumpfschweiss-Stutzen	
	Typ 517	Festflansch ³⁾ , Losflansch	
	Typ 519	3-Wege Ventil mit Stumpfschweiss-Stutzen	
Zulassungen	ACS, FDA, DIBt, TA Luft, NAMSA		

¹⁾Weitere Kombinationen auf Anfrage.

²⁾Gemäss Druck-Temperatur Diagramm im Datenblatt. Temperaturbereiche können abhängig von der Dichtwerkstoff-Kombination abweichen.

³⁾Nur JIS Variante.

3.7.2 Antriebsgrößen DIASTAR

DN	DIASTAR Six FC	DIASTAR Ten FC/FO/DA	DIASTAR Sixteen FC	DIASTAR Sixteen DA/FO
15	 1	 1	 2	 1
20	 2	 2	 2	 2
25	 2	 2	 3	 2
32	 3	 3	 4	 3
40	 3	 4	 5	 4
50	 3	 4	 5	 4

3.7.3 Luftanschluss

	DIASTAR Six FC	DIASTAR Ten FC/FO/ DA	DIASTAR TenPlus FC	DIASTAR Sixteen FC
d20/DN15	G 1/8"	G 1/8"	G 1/8"	G 1/8"
d25/DN20	G 1/8"	G 1/8"	G 1/8"	G 1/8"
d32/DN25	G 1/8"	G 1/8"	G 1/8"	G 1/8"
d40/DN32	G 1/8"	G 1/8"	G 1/4"	G 1/4"
d50/DN40	G 1/8"	G 1/4"	G 1/4"	G 1/4"
d63/DN50	G 1/8"	G 1/4"	G 1/4"	G 1/4"

HINWEIS!

Zusammenhang zwischen Mediumsdruck und Federpaketen!

Die Schliesskräfte der Antriebe wurden auf die spezifizierte Druckstufe PN ausgelegt. Der Betrieb bei sehr geringen Mediumsdrücken und sehr starken Antrieben führt zu erhöhtem Membranverschleiss, z. B. DIASTAR Sixteen (FC) nur bei Mediumsdrücken > PN6 einsetzen.

- Um die Lebensdauer bei geringen Mediumsdrücken zu verlängern, kann die Anzahl der Federpakete reduziert werden. Für die spezifische Auslegung kontaktieren Sie Ihren Ansprechpartner bei Georg Fischer Piping Systems.

GEFAHR!

Reduktion der Anzahl Federpakete!

Reduzierung der Federpakete führt zur Reduktion der Schliesskraft. Durch ein Ansteigen des Mediumsdrucks kann das Membranventil bei fehlenden Federpaketen nicht mehr oder nicht mehr vollständig das Leitungssystem absperren. Die Funktion des Prozesses kann beeinträchtigt werden.

- Membranventile und Federpakete je nach Mediumsdruck auslegen.

3.7.4 Steuerdruck

Funktion FC	Funktion FO	Funktion DA
6 bar maximal für die Funktion FC; niedrige Steuerdrücke durch Reduktion der Federpakete möglich. Je nach Dimension, siehe Tabelle der Druckstufen und Steuerdruckdiagramme.	5 bar maximal für die Funktion FO. Bei der Dimension DN50 und ab einem Mediumsdruck von >10 bar beträgt der max. Steuerdruck 6 bar. Je nach Dimension, siehe Tabelle der Druckstufen und Steuerdruckdiagramme.	5 bar maximal für die Funktion DA. Bei der Dimension DN50 und ab einem Mediumsdruck von >10 bar beträgt der max. Steuerdruck 6 bar. Je nach Dimension, siehe Tabelle der Druckstufen und Steuerdruckdiagramme.
Druckluftklassen (ISO 8573-1) 2 oder 3 bei -10°C und 3 oder 4 bei T>0°C	Druckluftklassen (ISO 8573-1) 2 oder 3 bei -10°C und 3 oder 4 bei T>0°C	Druckluftklassen (ISO 8573-1) 2 oder 3 bei -10°C und 3 oder 4 bei T>0°C
Ab einem Mediumsdruck von 10 bar muss der Steuerdruck abluftgedrosselt sein (Stellzeit Antrieb auf ca. 3s einstellen)	Ab einem Mediumsdruck von 10 bar muss die Abluft des Steuermediums gedrosselt werden (Stellzeit Antrieb auf ca. 3s einstellen)	Ab einem Mediumsdruck von 10 bar muss die Abluft des Steuermediums gedrosselt werden (Stellzeit Antrieb auf ca. 3s einstellen)
Temperatur des Steuermediums max. 40°C	Temperatur des Steuermediums max. 40°C	Temperatur des Steuermediums max. 40°C
	Abhängig vom Mediumsdruck können niedrige Steuerdrücke gewählt werden.	Abhängig vom Mediumsdruck können niedrige Steuerdrücke gewählt werden.
Hinweis: Um eine optimale Lebensdauer der Armatur zu erreichen, wird empfohlen, den Steuerdruck anhand des Mediumsdrucks einzustellen - siehe Steuerdruckdiagramme.		


3.7.5 Steuervolumen

	DIASTAR Six (FC) [dm ³]	DIASTAR Ten (FC) [dm ³]	DIASTAR Ten (FO) [dm ³]	DIASTAR Ten (DA) [dm ³]		DIASTAR TenPlus (FC) [dm ³]	DIASTAR Sixteen (FC) [dm ³]
				close	open		
20DN15	0.04	0.04	0.07	0.07	0.04	0.10	0.10
25DN20	0.12	0.12	0.20	0.20	0.12	0.12	0.12
32DN25	0.12	0.12	0.23	0.23	0.12	0.22	0.22
40DN32	0.24	0.24	0.44	0.44	0.24	0.40	0.40
50DN40	0.24	0.42	0.86	0.86	0.42	0.70	0.70
63DN50	0.24	0.44	0.86	0.86	0.44	0.80	0.80

3.7.6 Druckstufen



DIASTAR Six FC

Ventilkörper Werkstoff	PVC-U, PVC-C, ABS, PP-H, PP-N	
	Druckstufe [bar]	Max. Steuerdruck ²⁾ [bar]
DN	EPDM ¹⁾	
20DN15	6	2.6
25DN20	6	3.8
32DN25	6	3.8
40DN32	6	3.8
50DN40	6	3.8
63DN50	6	5.5

Mediumsdruck  Einseitig anstehend



DIASTAR Ten FC

Ventilkörper Werkstoff	PVC-U, PVC-C, ABS, PP-H, PVDF, PVDF-HP, PP-N		
	Druckstufe [bar]	Max. Steuerdruck ²⁾ [bar]	
DN	EPDM ¹⁾	PTFE	
20DN15	10	10/6*	5.4
25DN20	10	10/6*	5.4
32DN25	10	10/6*	5.4
40DN32	10	10/6*	5.4
50DN40	10	10/6*	5.4
63DN50	10	6/5	5.4

Mediumsdruck   Einseitig anstehend Einseitig anstehend

DIASTAR Ten FO/DA

Ventilkörper Werkstoff	PVC-U, PVC-C, ABS, PP-H, PVDF, PVDF-HP, PP-N			
	Druckstufe [bar]	Max. Steuerdruck ³⁾ [bar]		
DN	EPDM ¹⁾	PTFE	EPDM ¹⁾	PTFE
20DN15	10	10/6*	4.5	3.5
25DN20	10	10/6*	4.5	3
32DN25	10	10/6*	4.5	3.5
40DN32	10	10/6*	4.5	3.5
50DN40	10	10/6*	3.5	3.5
63DN50	10	10/6*	3.5	4.5

Mediumsdruck   Einseitig anstehend Einseitig anstehend



*Bei beidseitig anstehendem Mediumsdruck.

¹⁾ Gilt auch für andere Elastomer-Membranen wie FKM, NBR, etc.



²⁾ Bei 0 bar Mediumsdruck.

³⁾ Bei 10 bar Mediumsdruck.

DIASTAR TenPlus FC

Ventilkörper PVC-U, PVC-C, ABS, P-H, PVDF, PVDF-HP			
Werkstoff			
DN	Druckstufe [bar]		Max. Steuerdruck ²⁾ [bar]
	EPDM ¹⁾	PTFE	
20DN15	10	10	5.4
25DN20	10	10	5.4
32DN25	10	10	5.4
40DN32	10	10	5.4
50DN40	10	10	5.4
63DN50	10	10	5.4
Mediumsdruck			
	Beidseitig anstehend	Beidseitig anstehend	

DIASTAR Sixteen FC

Ventilkörper PVC-U, PVDF, PVDF-HP			
Werkstoff			
DN	Druckstufe [bar]		Max. Steuerdruck ²⁾ [bar]
	EPDM ¹⁾	PTFE	
20DN15	16	16	5.5
25DN20	16	16	5.5
32DN25	16	16	5.5
40DN32	16	16	5.5
50DN40	16	16	5.5
63DN50	16	10	5.5
Mediumsdruck			
	Einseitig anstehend	Einseitig anstehend	

¹⁾ Gilt auch für andere Elastomer-Membranen wie FKM, NBR, etc.

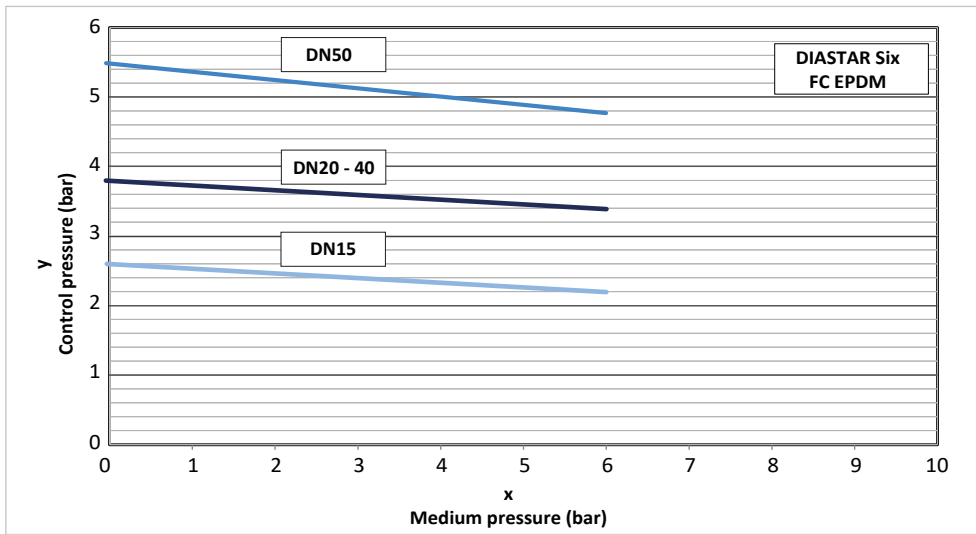
²⁾ Bei 0 bar Mediumsdruck.

Hinweis: Um eine optimale Lebensdauer der Armatur zu erreichen, wird empfohlen, den Steuerdruck PS anhand des Mediumsdruck einzustellen - siehe Steuerdruckdiagramme. Der Steuerdruck PS kann je nach Nenndurchmesser DN, Membranwerkstoff und Funktion des Antriebes variieren.

Bei unterschiedlich verwendeten Steuerdrücken in der Anlage wird empfohlen, ein Druckregelventil einzusetzen. Für die spezifische Auslegung kontaktieren Sie Ihren Ansprechpartner bei Georg Fischer Piping Systems.

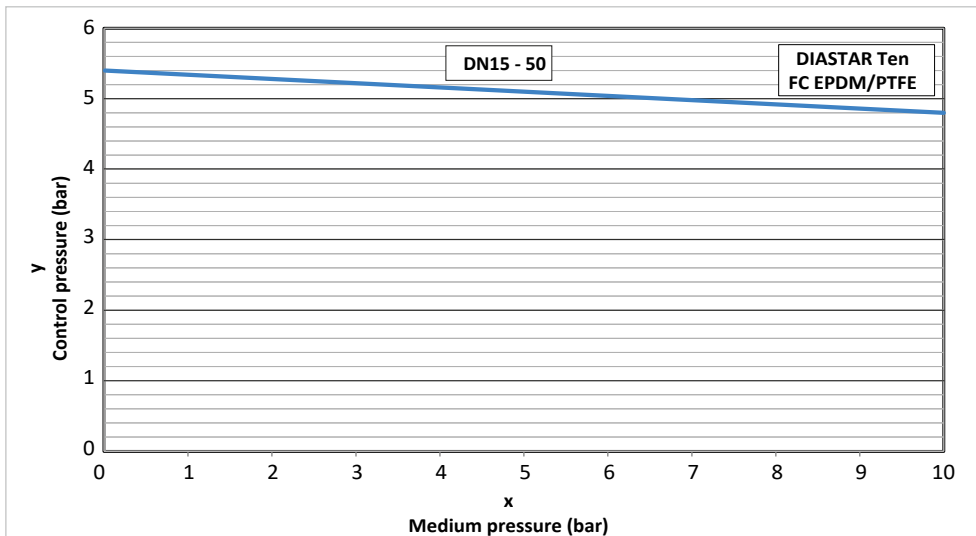
3.7.7 Steuerdruckdiagramme

DIASTAR Six FC mit EPDM* Membrane



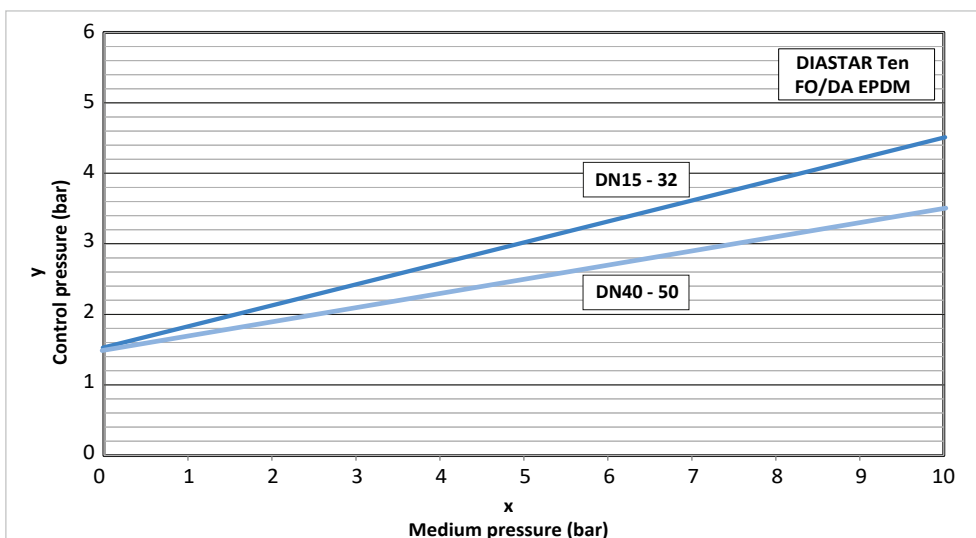
x Mediumsdruck
y Steuerdruck

DIASTAR Ten FC mit EPDM* oder PTFE Membrane



x Mediumsdruck
y Steuerdruck

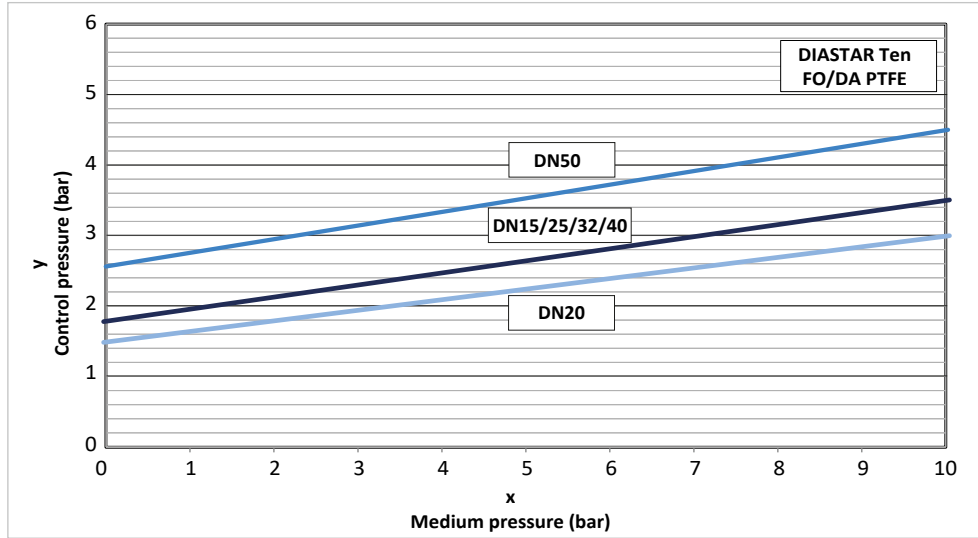
DIASTAR Ten FO und DA mit EPDM* Membrane



x Mediumsdruck
y Steuerdruck

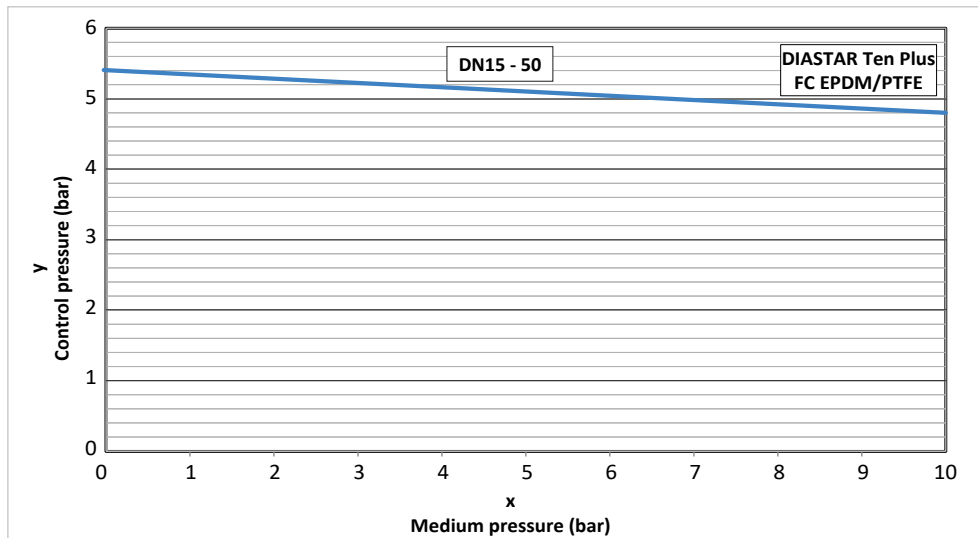
* gilt auch für andere Elastomer-Membranen wie FKM, NBR, etc.

DIASTAR Ten FO und DA mit PTFE Membrane



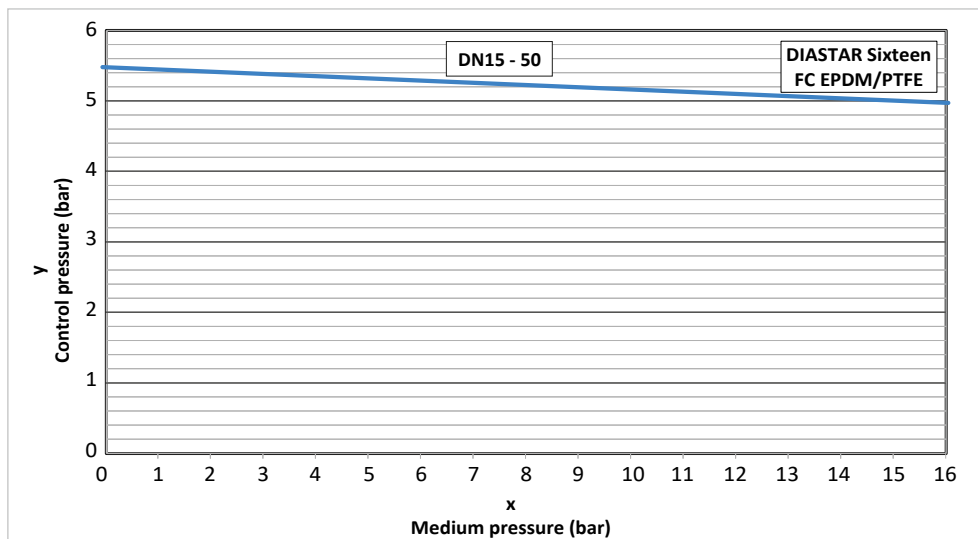
x Mediumsdruck
y Steuerdruck

DIASTAR TenPlus FC mit EPDM* oder PTFE Membrane



x Mediumsdruck
y Steuerdruck

DIASTAR Sixteen FC mit EPDM* oder PTFE Membrane



x Mediumsdruck
y Steuerdruck

* gilt auch für andere Elastomer-Membranen wie FKM, NBR, etc.

3.7.8 Kv 100-Werte

Typ 514 – 517

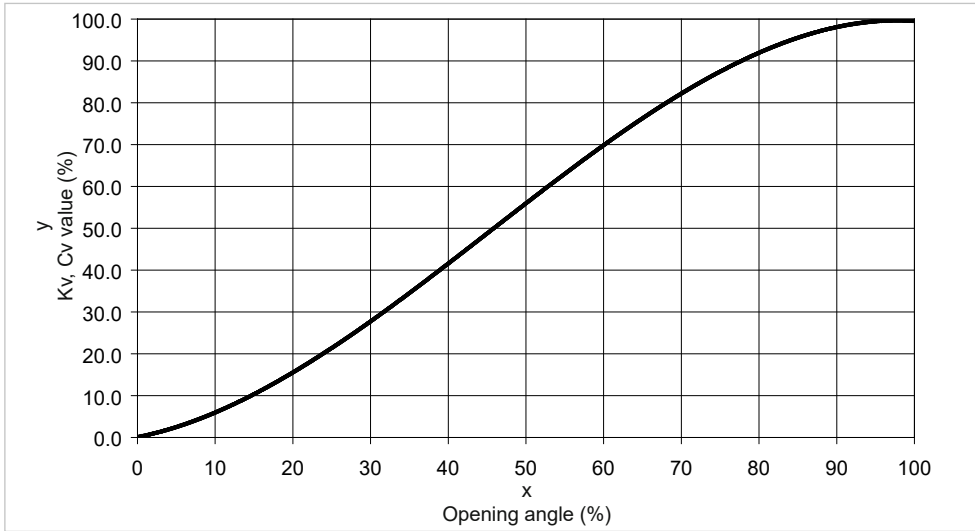
d (mm)	DN (mm)	Zoll (")	Kv 100 (l/min)	Cv 100 (US gal./min)	kv 100 (m ³ /h)
20	15	½	125	9	8
25	20	¾	271	19	16
32	25	1	481	33	29
40	32	1 ¼	759	52	45
50	40	1 ½	1263	87	76
63	50	2	1728	119	104

Typ 519

d (mm)	DN (mm)	Zoll (")	Kv 100 (l/min)	Cv 100 (US gal./min)	kv 100 (m ³ /h)
20	15	½	57	4	3
25	20	¾	89	6	5
25	20	¾	118	8	7
32	25	1	80	6	5
32	25	1	105	7	6
32	25	1	231	16	14
40	32	1 ¼	85	6	5
40	32	1 ¼	119	8	7
40	32	1 ¼	153	11	9
40	32	1 ¼	187	13	11
50	40	1 ½	86	6	5
50	40	1 ½	160	11	10
50	40	1 ½	206	14	12
50	40	1 ½	524	36	31
50	40	1 ½	667	46	40
63	50	2	84	6	5
63	50	2	150	11	9
63	50	2	184	13	11
63	50	2	471	32	28
63	50	2	610	42	37
63	50	2	747	52	45
90	80	3	82	6	5
90	80	3	103	7	6
90	80	3	129	9	8
90	80	3	623	43	37
90	80	3	696	48	42
110	100	4	78	5	4
110	100	4	103	7	6
110	100	4	131	9	8
110	100	4	604	42	36
110	100	4	661	46	40
140	125	5	146	10	9
140	125	5	382	26	23
140	125	5	440	30	26
140	125	5	502	35	30
160	150	6	139	10	8
160	150	6	382	26	23
160	150	6	436	30	26
160	150	6	498	34	30

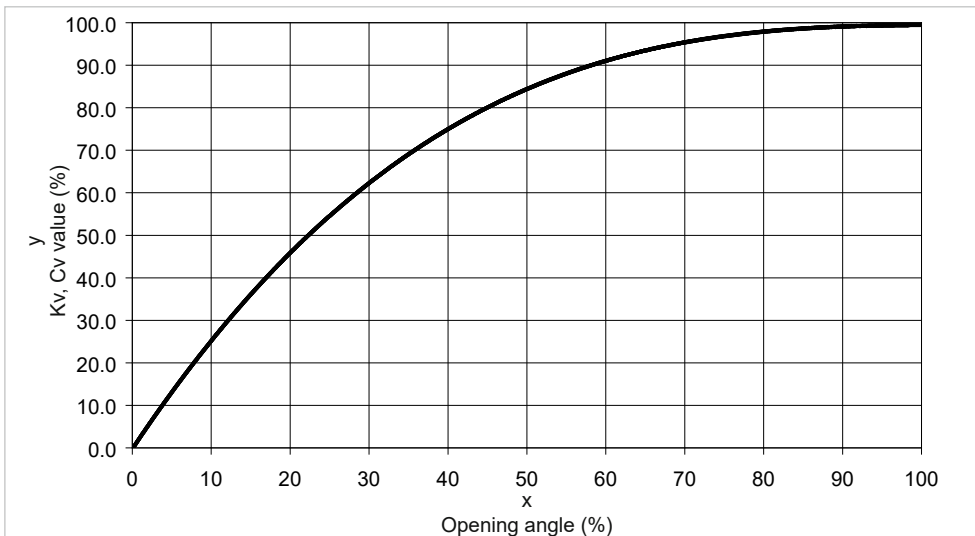
3.7.9 Durchflussmenge

Durchfluss-Charakteristik Typ 514–517



x Öffnungswinkel (%)
y kv, Cv Wert (%)

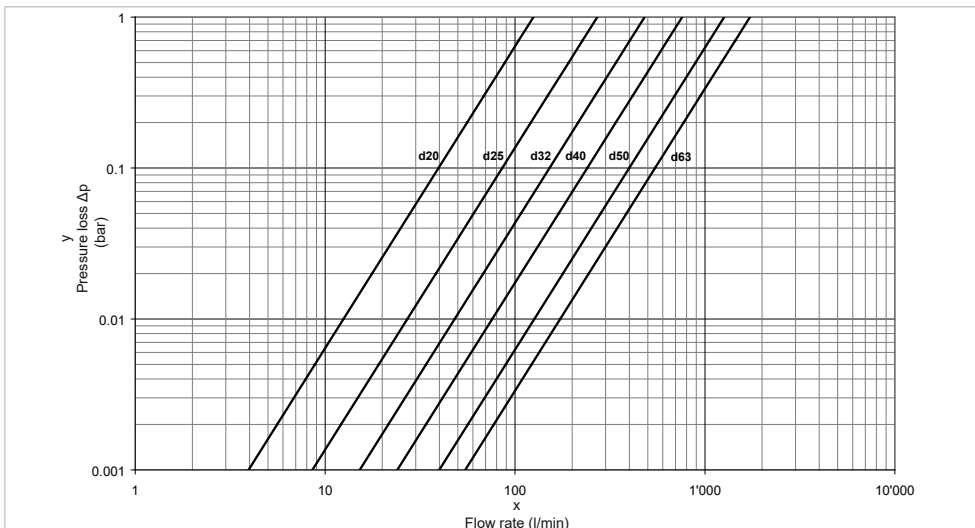
Durchfluss-Charakteristik Typ 519



x Öffnungswinkel (%)
y kv, Cv Wert (%)

3.7.10 Druckverluste

Typ 514 – 517



x Durchflussmenge (l/min)
y Druckverlust Δp (bar)

4 Installation

4.1 Vorbereitung

GEFAHR!

Ventil für Anwendung nicht geeignet!

Das Ventil besitzt produktspezifische Eigenschaften, Einbaumasse und Anschlüsse. Die Verwendung eines für die Anwendung ungeeigneten Ventils kann Personen- und Sachschäden verursachen sowie die Umwelt gefährden.

- ▶ Überprüfen der Kompatibilität der Ventilwerkstoffe mit dem Medium.
- ▶ Abgleichen der Dimensionen des Rohrleitungssystems mit dem Ventil gemäss Typenschild.
- ▶ Sicherstellen, dass Druckklasse, Anschlussart und Anschlussabmessungen den Einsatzbedingungen entsprechen.

GEFAHR!

Unkontrolliertes Entweichen des Mediums!

Wurde der Druck im Rohrleitungssystem nicht vollständig abgebaut, kann das Medium unkontrolliert entweichen. Je nach Art des Mediums besteht Verletzungsgefahr.

- ▶ Vollständiges Abbauen von Druck in der Rohrleitung vor dem Öffnen.
- ▶ Bei gesundheitsschädlichen, brennbaren, heissen oder explosiven Medien; Rohrleitung vor dem Ausbau vollständig entleeren und spülen. Dabei sind mögliche Rückstände zu beachten.
- ▶ Sicheres Auffangen des Mediums durch entsprechende Massnahmen gewährleisten (z. B. Anschluss eines Auffangbehälters).
- ▶ Ventil bei halb geöffneter Ventil-Stellung in senkrechter Lage entleeren und Medium dabei auffangen.
- ▶ Trotz Entleerung können sich gefährliche Medien-Rückstände im Ventil befinden.
- ▶ Tragen von geeigneter Schutzausrüstung.

HINWEIS!

Falsche Lagerung und Transport!

Durch unsachgemässe Behandlung kann das Produkt in seinen Funktionseigenschaften sowie in der Qualität beeinträchtigt werden.

- ▶ Lagerung und Transport in ungeöffneter Originalverpackung.
- ▶ Schutz vor schädlichen physikalischen Einflüssen wie Licht, Staub, Wärme, Feuchtigkeit, UV-Strahlung und mechanischen Einflüssen.
- ▶ Lagerung in geöffneter Stellung (Anlieferungszustand).
- ▶ Vor Installation auf allgemeine Schäden untersuchen.
- ▶ Entnehmen aus der Originalverpackung erst unmittelbar vor dem Einbau.
- ▶ Ventile mit erkennbarer Funktionsstörung dürfen nicht eingebaut werden.

4.2 Installationsvorgang

- ▶ Ventil stets in geöffneter Stellung installieren.

GEFAHR!

Einsatz gefährlicher und nicht zugelassener Medien!

Nicht zugelassene chemisch aggressive oder heisse Medien können Werkstoffe angreifen, Personenschäden verursachen sowie die Umwelt gefährden.

Nicht medienberührende Bauteile können durch Leckagen innerhalb des Ventils angegriffen werden.

- ▶ Beachten der Sicherheitsdatenblätter bzw. die geltenden Sicherheitsvorschriften für verwendete Medien.
- ▶ Überprüfen der Kompatibilität der Ventilwerkstoffe mit dem Medium.
- ▶ Keine Verwendung nicht zugelassener Medien.
- ▶ Regelmässiges Prüfen des Ventils auf Verschleiss und ggf. Vornehmen einer Wartung.
- ▶ Tragen von geeigneter Schutzausrüstung.
- ▶ Bei heissen Medien: Arbeiten nur an abgekühlter Anlage.
- ▶ Bei Unsicherheiten bezüglich zugelassener Medien ist die Georg Fischer Piping Systems Vertriebsgesellschaft zu kontaktieren.

VORSICHT!

Wärmeausdehnungs-Kräfte auf Rohrleitungssystem!

Wird bei Temperaturwechseln die Wärmeausdehnung verhindert, treten Längs- bzw. Biegekräfte auf. Rohrleitungssystem und Ventil können beschädigt werden.

- ▶ Sicherstellen, dass Kräfte durch geeignete Festpunkte vor bzw. hinter dem Ventil aufgenommen werden.

VORSICHT!

Nicht fluchtende Rohrleitung!

Verletzungsgefahr und/oder Sachschäden durch Undichtigkeiten des Rohrleitungssystems wegen Spannungs Kräften im Rohrleitungssystem.

- ▶ Sicherstellen, dass Ventil und Rohrleitung zueinander fluchten.

4.2.1 Radial ein- und ausbaubares Ventil

Alle Materialien mit Ventilkörper Typ 514

- Überwurfmuttern lösen und auf vorgesehene Rohrenden schieben.
- Anschlusssteile je nach Art auf Rohrenden kleben, schrauben oder schweissen (konkrete Vorhaben ist in Georg Fischer Planungsgrundlagen Industrie Klebe-/Schweissverbindungen beschrieben).
- Membranventil zwischen Anschlusssteile setzen.
- Überwurfmuttern von Hand festziehen.

WARNUNG!

Überwurfmuttern bis DN50 nur handfest anziehen!

Verletzungsgefahr und/oder Sachschäden durch austretende Flüssigkeiten wegen zu fest angezogenen, bzw. defekten Überwurfmuttern.

- ▶ Überwurfmuttern bis DN50 nur handfest, ohne Hilfswerkzeug, anziehen.
- ▶ Überwurfmuttern ab DN50 mit Bandschlüssel gemäss dem in der technischen Dokumentation angegebenen Anzugsmoment anziehen.

4.2.2 Klebeverbindung

PVC-U, PVC-C und ABS - mit Ventilkörper Typ 514, 515

Nur identische Werkstoffe miteinander verbinden. Nach Aushärtezeit, Rohrleitungsabschnitt drucklos mit Wasser spülen (siehe Kapitel „Verbindungstechniken“ in den Georg Fischer Planungsgrundlagen Industrie).

WARNUNG!

Verbindung inkompatibler Werkstoffe!

Verletzungsgefahr und/oder Sachschäden durch Undichtigkeiten des Rohrleitungssystems wegen Verbindungen verschiedener, zueinander nicht kompatibler Werkstoffe.

- ▶ Nur identische Werkstoffe dürfen durch Schweiß- und Klebeverbindungen miteinander verbunden werden.
- ▶ Rohrleitungsabschnitte mit Klebeverbindungen sind nach Fertigstellung der Verbindungen so bald wie möglich drucklos mit Wasser zu spülen.

4.2.3 Schweissverbindung

PP-H, PP-N, PVDF, PVDF-HP - mit Ventilkörper Typ 514, 515, 519

Nur identische Werkstoffe miteinander verbinden (siehe Kapitel „Verbindungstechniken“ in den Georg Fischer Planungsgrundlagen Industrie).

WARNUNG!

Verbindung inkompatibler Werkstoffe!

Verletzungsgefahr und/oder Sachschäden durch Undichtigkeiten des Rohrleitungssystems wegen Verbindungen verschiedener, zueinander nicht kompatibler Werkstoffe.

- ▶ Nur identische Werkstoffe dürfen durch Schweiß- und Klebeverbindungen miteinander verbunden werden.

4.2.4 Flanschverbindung

Alle Materialien mit Ventilkörper Typ 517

Anzugsdrehmomente der Schrauben den entsprechenden Kapiteln der „Georg Fischer Planungsgrundlagen Industrie“ entnehmen.

VORSICHT!

Undichte Flanschverbindungen!

Verletzungsgefahr und/oder Sachschäden durch Undichtigkeiten im Rohrleitungssystem.

- ▶ Periodische Überprüfung, dass nach aussen kein Medium austritt.
- ▶ Tritt Medium an den Flanschverbindungen aus, diese nachziehen.

VORSICHT!

Verunreinigte Dichtflächen!

Verletzungsgefahr durch Kontakt mit Medium wegen undichten Verbindungen.

- ▶ Dichtflächen sowie Anschlusssteile vor Beschädigungen und Verunreinigungen, insbesondere vor harten oder scharfkantigen Partikeln, schützen.

4.3 Position der Anschlüsse für den Steuerdruck verändern

Die Anschlüsse für den Steuerdruck können in 90°-Schritten positioniert werden, um sie optimal zum Leitungssystem auszurichten.

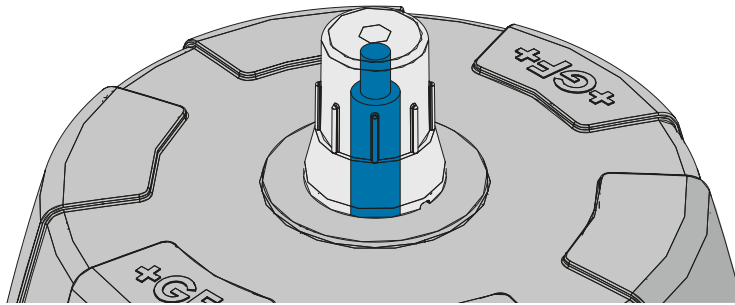
GEFAHR!

Unkontrolliertes Entweichen des Mediums!

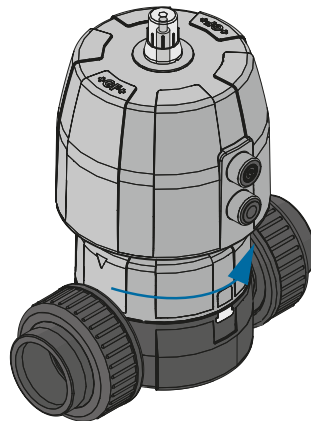
Wurde der Druck im Rohrleitungssystem nicht vollständig abgebaut, kann das Medium unkontrolliert entweichen. Je nach Art des Mediums besteht Verletzungsgefahr.

- ▶ Vollständiges Abbauen von Druck in der Rohrleitung vor dem Öffnen.
- ▶ Bei gesundheitsschädlichen, brennbaren, heissen oder explosiven Medien; Rohrleitung vor dem Ausbau vollständig entleeren und spülen. Dabei sind mögliche Rückstände zu beachten.
- ▶ Sicheres Auffangen des Mediums durch entsprechende Massnahmen gewährleisten (z. B. Anschluss eines Auffangbehälters).
- ▶ Ventil bei halb geöffneter Ventil-Stellung in senkrechter Lage entleeren und Medium dabei auffangen.
- ▶ Trotz Entleerung können sich gefährliche Medien-Rückstände im Ventil befinden.
- ▶ Tragen von geeigneter Schutzausrüstung.

1. Sicherstellen, dass Membranventil drucklos und vollständig entleert ist. Füllstands- und Drucksensoren zeigen „0“ an.
2. Antrieb in Stellung „AUF“ bringen. Stellungsanzeige ist oben.



3. Gehäusemutter mit Bandschlüssel aufschrauben.



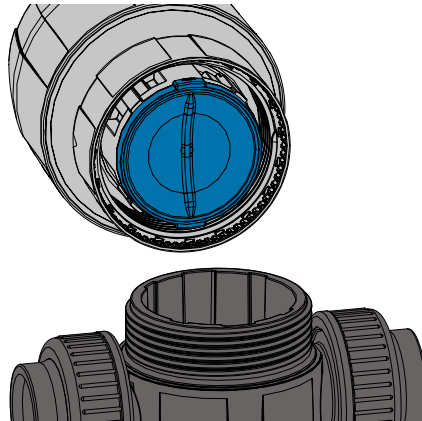
VORSICHT!

Falsches Werkzeug für Gehäusemutter!

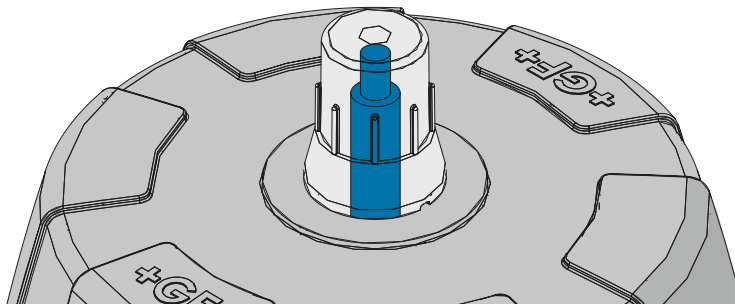
Der Einsatz von nicht kompatibelem Werkzeug kann die Gehäusemutter beschädigen. Durch austretendes Medium können Personen- sowie Sachschäden auftreten.

- ▶ Gehäusemutter nur mit Bandschlüssel oder Hakenschlüssel öffnen und schliessen.

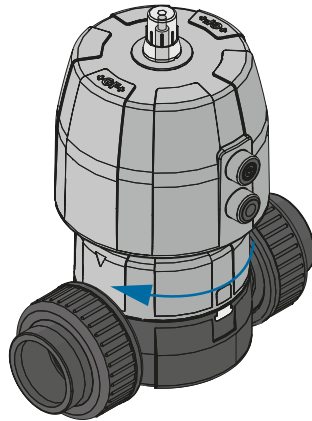
4. Antrieb um 90° drehen.
5. Membrane parallel zum Dichtsteg ausrichten. Dabei Ohren der Membrane genau zwischen die schmalen Führungsstege des Innengehäuses positionieren. Tipp: Membrane lässt sich in Stellung „ZU« besser ausrichten.



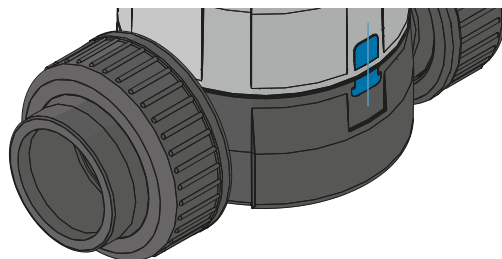
6. Antrieb ggf. in Stellung „AUF“ bringen. Stellungsanzeige ist oben.



7. Antrieb auf Ventilkörper setzen und Gehäusemutter handfest anziehen. Die Membrane ist zentriert.



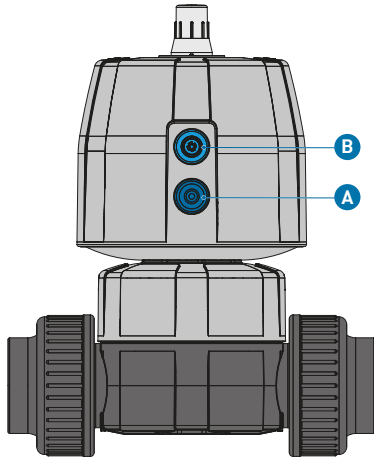
8. Gehäusemutter mit Bandschlüssel/ Spezialwerkzeug festdrehen bis...
 - ein Spaltmass von 0,5mm bis 1mm zwischen Ventilkörper und Gehäusemutter erreicht ist...
 - und die Ausrichtungsmarkierung an der Gehäusemutter mit dem Rasterelement fluchtet.



Hinweis: Bei Ventilen mit eingebauter Hubbegrenzung wird empfohlen, das Ventil nach dem Zusammenbau neu einzustellen.

4.4 Steuerdruck anschliessen

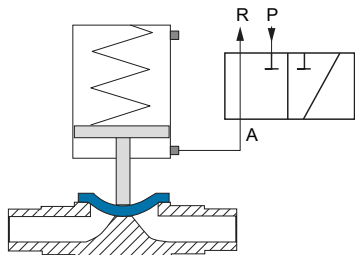
		FC	FO	DA
B	ZU		X	X
A	AUF	X		X



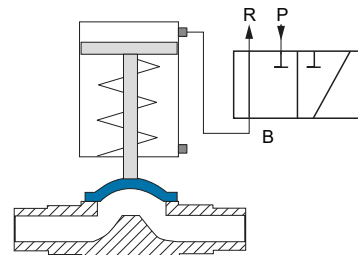
Steuerluftanschluss
G 1/8" oder G 1/4"

4.4.1 Membranventil mit Funktion FC / FO

Membranventil mit Funktion FC

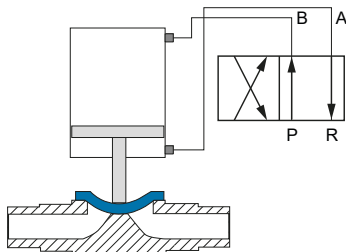


Membranventil mit Funktion FO



- ▶ 3/2-Wege-Vorsteuerventile verwenden (z.B. PV94 oder MNL532).
- ▶ Steuerdruck je nach Bedarf über eine Hohlschraube direkt am Stellantrieb oder abgesetzt über Mehrfach-Anschlussplatten bzw. Ventilinseln anschliessen.

4.4.2 Membranventil mit Funktion DA



- ▶ 4/2- oder 5/2-Wege-Vorsteuerventile verwenden (z.B. MNL532 oder 5470).
- ▶ Steuerdruck je nach Bedarf über eine Namur-Anschlussplatte direkt am Stellantrieb oder abgesetzt über Ventilinseln anschliessen.

5 Inbetriebnahme

5.1 Vorbereitung

1. Funktion prüfen: Ventil schliessen und wieder öffnen.
2. Rohrleitungssystem spülen.

5.2 Druckprobe

Für die Druckprobe von Ventilen gelten dieselben Anweisungen wie für die Rohrleitung (siehe Kapitel „Verarbeitung und Verlegung“ in den Georg Fischer Planungsgrundlagen Industrie).

1. Sicherstellen, dass alle Ventile in der erforderlichen Offen- oder Geschlossenstellung sind.
2. Ab einem Mediumsdruck von 10 bar die Abluft des Steuermediums drosseln und Stellzeit Antrieb auf ca. 3s einstellen.
3. Leitungssystem mit Prüfmedium füllen und sorgfältig entlüften.
4. Prüfdruck aufbauen.
5. Ventile und Anschlüsse während Druckprobe auf Dichtheit prüfen.
6. Nach erfolgreicher Dichtheitsprüfung: Prüfmedium entfernen.
7. Ergebnisse protokollieren.



GEFAHR!

Rohrleitungssystem undicht!

Durch undichte Anschlüsse können Medien austreten und Sach- und Personenschäden verursachen, sowie die Umwelt gefährden.

- ▶ Überprüfen der Dichtheit der Anschlüsse vor Inbetriebnahme.
- ▶ Periodische Prüfung, dass nach aussen kein Medium austritt.
- ▶ Tragen von Geeigneter Schutzausrüstung.



GEFAHR!

Zu hoher Druck!

Durch Überschreitung des höchstzulässigen Drucks kann das Rohrleitungssystem beschädigt werden, wodurch Medien austreten und Sach- und Personenschäden verursachen, sowie die Umwelt gefährden können.

- ▶ Die Komponente im Rohrleitungssystem mit dem niedrigsten PN bestimmt den maximal zulässigen Prüfdruck im Leitungsabschnitt.
- ▶ Treffen von Massnahmen zum Verhindern von Druckschlägen.
- ▶ Tragen von geeigneter Schutzausrüstung.



VORSICHT!

Maximal zulässiger Prüfdruck!

Für die Druckprobe von Ventilen in Offenstellung gelten dieselben Anweisungen wie für die Rohrleitungen (max. 1.5 x PN, bzw. max. PN + 5 bar), jedoch darf der Prüfdruck in Geschlossenstellung max. 1.1 x PN nicht überschritten werden.

- ▶ Detaillierte Informationen, siehe Georg Fischer Planungsgrundlagen.
- ▶ Nach erfolgreicher Dichtheitsprüfung: Prüfmedium entfernen.
- ▶ Ergebnisse protokollieren.

6 Normalbetrieb

6.1 Massnahmen während Betrieb

GEFAHR!

Einsatz gefährlicher und nicht zugelassener Medien!

Nicht zugelassene chemisch aggressive oder heisse Medien können Werkstoffe angreifen, Personenschäden verursachen sowie die Umwelt gefährden.

Nicht medienberührende Bauteile können durch Leckagen innerhalb des Ventils angegriffen werden.

- ▶ Beachten der Sicherheitsdatenblätter bzw. die geltenden Sicherheitsvorschriften für verwendete Medien.
- ▶ Überprüfen der Kompatibilität der Ventilwerkstoffe mit dem Medium.
- ▶ Keine Verwendung nicht zugelassener Medien.
- ▶ Regelmässiges Prüfen des Ventils auf Verschleiss und ggf. Vornehmen einer Wartung.
- ▶ Tragen von geeigneter Schutzausrüstung.
- ▶ Bei heissen Medien: Arbeiten nur an abgekühlter Anlage.
- ▶ Bei Unsicherheiten bezüglich zugelassener Medien ist die Georg Fischer Piping Systems Vertriebsgesellschaft zu kontaktieren.

GEFAHR!

Einsatz gefährlicher und diffundierender Medien!

Chemisch hoch aggressive Medien können Werkstoffe angreifen, Personenschäden verursachen, sowie die Umwelt gefährden. Nicht medienberührende Bauteile können durch Leckagen und Diffusion angegriffen werden, wodurch die Gehäusemutter bersten kann.

- ▶ Für Anwendungen mit gefährlichen und diffundierenden Medien wird empfohlen die zuständige GF Vertretung zu kontaktieren.
- ▶ Eine regelmässige visuelle Inspektion aller Bauteile des Membranventils wird empfohlen. Dazu muss das Ventil komplett entleert, deinstalliert und demontiert werden.
- ▶ Tragen von Geeigneter Schutzausrüstung.

GEFAHR!

Betrieb des Ventils als Endarmatur mit gefährlichen Medien!

Durch Einsatz des Ventils als Endarmatur können aggressive Medien unkontrolliertes Austreten und Sach- und Personenschäden verursachen, sowie die Umwelt gefährden.

- ▶ Rohrleitungssystem vor Öffnen des Ventils drucklos machen.
- ▶ Ventil als Endarmatur nur öffnen, wenn Medium sicher aufgefangen und abgeleitet werden kann.
- ▶ Tragen von Geeigneter Schutzausrüstung.

GEFAHR!

Rohrleitungssystem undicht!

Durch undichte Anschlüsse können Medien austreten und Sach- und Personenschäden verursachen, sowie die Umwelt gefährden.

- ▶ Überprüfen der Dichtheit der Anschlüsse vor Inbetriebnahme.
- ▶ Periodische Prüfung, dass nach aussen kein Medium austritt.
- ▶ Tragen von Geeigneter Schutzausrüstung.

HINWEIS!

Kavitation vermeiden!

Durch Kavitation können Schäden an Bauteilen im Membranventil entstehen.

- ▶ Ventil nur im optimalen Regelbetrieb einsetzen.

HINWEIS!

Ventil sitzt fest!

Ventile, die dauernd in der gleichen Stellung sind, können mit der Zeit festsitzen.

- ▶ Betätigung mindestens 1-2 x pro Jahr, um ihre Funktionstätigkeit zu prüfen.

7 Wartung

7.1 Wartungsplan

Intervall	Wartungstätigkeit
Regelmässig	▶ Verbindung zwischen Oberteil und Ventilkörper auf Dichtigkeit prüfen.
1-2x pro Jahr	▶ Dauernd geöffnete oder geschlossene Membranventile betätigen um Funktionsfähigkeit zu prüfen.
100.000 Betätigungen bei	▶ Sichtkontrolle des Ventilkörpers durchführen.
• DIASTAR Ten/ TenPlus: weniger als 10 bar Nenndruck bei 20°C und Wasser	▶ Antrieb demontieren und Membrane auf Beschädigung prüfen.
• DIASTAR Six: weniger als 6 bar Nenndruck bei 20°C und Wasser	▶ Membrane bei Beschädigung wechseln*.
50.000 Betätigungen bei	▶ Sichtkontrolle des Ventilkörpers durchführen.
• mehr als 10 bar Nenndruck bei 20°C und Wasser	▶ Antrieb demontieren und Membrane auf Beschädigung prüfen.
• DIASTAR Sixteen	▶ Membrane bei Beschädigung wechseln*.

* Membranen aus PTFE (PTFE/EPDM; PTFE/FKM) müssen nach der Demontage immer ersetzt werden.

- ▶ Bei abweichenden Einsatzbedingungen (z. B. höhere Temperaturen, Medien mit Abriebwirkung) werden häufigere Kontrollen empfohlen.

WARNUNG!

Regelmässige Kontrolle auf Verschleiss!

Bauteile mit Mediumkontakt unterliegen im Betrieb einem Verschleiss. Häufige Stellbewegungen oder der Einsatz von chemisch aggressiven oder verschmutzten Medien machen eine häufigere Wartung nötig.

- ▶ Regelmässiges Durchführen von Sicht- und Funktionskontrollen des Ventils entsprechend den Einsatzbedingungen und des Gefährdungspotentials zur Vorbeugung von Undichtheit und Beschädigungen.
- ▶ Demontieren des Ventils und Prüfen vom Ventil-Inneren auf Verschleiss in entsprechenden Intervallen.
- ▶ Anpassen der Wartungshäufigkeit an die Einsatzbedingungen und der daraus resultierenden Belastung des Ventils.
- ▶ Abgenutzte Bauteile im Inneren des Ventils müssen sofort ausgetauscht werden.
- ▶ Tragen von geeigneter Schutzausrüstung.

WARNUNG!

Undichte Dichtungen!

Verletzungsgefahr durch austretendes Medium aufgrund von beschädigter, gealterter oder falsch geschmierter Dichtungen.

- ▶ Dichtungen möglichst kühl (Raumtemperatur), trocken und dunkel lagern.
- ▶ Vor dem Einbau Dichtungen auf mögliche Alterungsschäden, wie Anrisse und Verhärtungen, prüfen.
- ▶ Regelmässige Überprüfung auf Beschädigungen und ggf. Dichtungen ersetzen.
- ▶ Schmiermittel der Dichtungen mit Fett auf Silikon- oder Polyolbasis. Keine Schmiermittel auf Mineralölbasis oder Vaseline (Petrolatum) verwenden.
- ▶ Spezielle Herstellerhinweise für lackstörungsfreie Ventile (LABS-gereinigt) beachten.

GEFAHR!

Gehäusemutter nicht schmieren!

Verwendung von Schmiermitteln kann, speziell bei amorphen Kunststoffen, Spannungsrisse am Ventilkörper verursachen. Folgen können Kontakt mit gefährlichem Medium sein. Die Funktionsfähigkeit des Ventils wäre nicht mehr gewährleistet.

- ▶ Keine Schmiermittel an Gewindeverbindung zwischen Gehäusemutter und Ventilkörper verwenden.

7.2 Ausbau und Demontage

GEFAHR!

Unkontrolliertes Entweichen des Mediums!

Wurde der Druck im Rohrleitungssystem nicht vollständig abgebaut, kann das Medium unkontrolliert entweichen. Je nach Art des Mediums besteht Verletzungsgefahr.

- ▶ Vollständiges Abbauen von Druck in der Rohrleitung vor dem Öffnen.
- ▶ Bei gesundheitsschädlichen, brennbaren, heissen oder explosiven Medien; Rohrleitung vor dem Ausbau vollständig entleeren und spülen. Dabei sind mögliche Rückstände zu beachten.
- ▶ Sicheres Auffangen des Mediums durch entsprechende Massnahmen gewährleisten (z. B. Anschluss eines Auffangbehälters).
- ▶ Ventil bei halb geöffneter Ventil-Stellung in senkrechter Lage entleeren und Medium dabei auffangen.
- ▶ Trotz Entleerung können sich gefährliche Medien-Rückstände im Ventil befinden.
- ▶ Tragen von geeigneter Schutzausrüstung.

GEFAHR!

Einsatz gefährlicher und nicht zugelassener Medien!

Nicht zugelassene chemisch aggressive oder heisse Medien können Werkstoffe angreifen, Personenschäden verursachen sowie die Umwelt gefährden.

Nicht medienberührende Bauteile können durch Leckagen innerhalb des Ventils angegriffen werden.

- ▶ Beachten der Sicherheitsdatenblätter bzw. die geltenden Sicherheitsvorschriften für verwendete Medien.
- ▶ Überprüfen der Kompatibilität der Ventilwerkstoffe mit dem Medium.
- ▶ Keine Verwendung nicht zugelassener Medien.
- ▶ Regelmässiges Prüfen des Ventils auf Verschleiss und ggf. Vornehmen einer Wartung.
- ▶ Tragen von geeigneter Schutzausrüstung.
- ▶ Bei heissen Medien: Arbeiten nur an abgekühlter Anlage.
- ▶ Bei Unsicherheiten bezüglich zugelassener Medien ist die Georg Fischer Piping Systems Vertriebsgesellschaft zu kontaktieren.

7.3 Auswechseln der Membrane

Die Häufigkeit des Membranwechsels richtet sich nach der Anzahl Stellzyklen, sowie dem eingesetzten Medium. Die Membrane kann kontrolliert werden, indem das Oberteil fachgerecht demontiert wird.

HINWEIS!

Membrane ist Verschleissenteil!

Bei starker Einsatzbelastung unterliegt die Membrane einem erhöhten Verschleiss und muss öfter ausgetauscht werden. Bei verschlissener oder undichter Membrane können Personen- sowie Sachschäden auftreten.

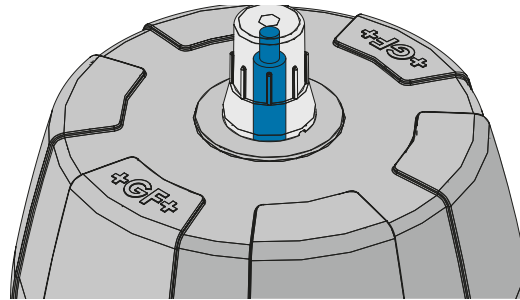
- ▶ Membrane und Dichtungen je nach Einsatzbelastung regelmässig kontrollieren und ggf. ersetzen.
- ▶ Nur für das Ventil kompatible Membrane gemäss Typenschild einsetzen.

VORSICHT!

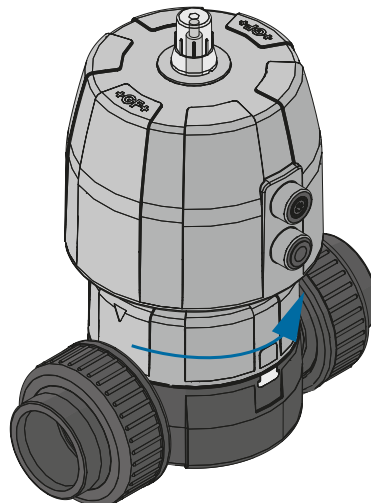
Komplettes Membran-Set wechseln!

Wenn PTFE-Membrane mit EPDM oder FKM eingesetzt werden, müssen beide Membrane ausgewechselt werden.

- ▶ Sicherstellen, dass beide Membrane ausgewechselt werden.
1. Leitung drucklos machen und entleeren. Sicherstellen, dass Membranventil drucklos und vollständig entleert ist. Füllstands- und Drucksensoren zeigen „0“ an.
 2. Antrieb in Stellung „AUF“ bringen. Stellungsanzeige ist oben.



3. Gehäusemutter mit Hilfe eines Bandschlüssels (separat erhältlich) vorsichtig aufschrauben.



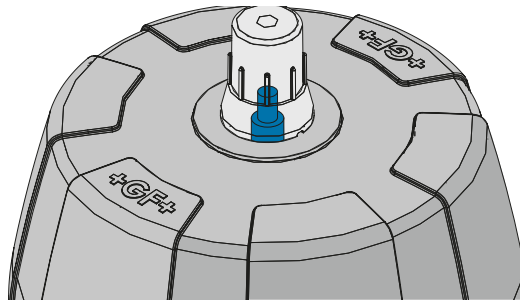
VORSICHT!

Falsches Werkzeug für Gehäusemutter!

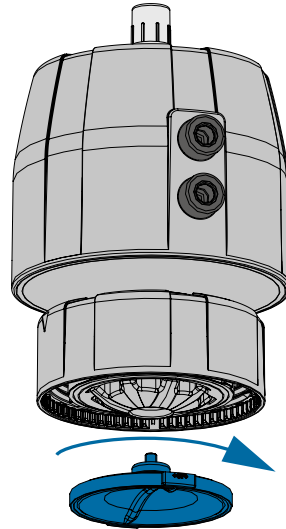
Der Einsatz von nicht kompatibelem Werkzeug kann die Gehäusemutter beschädigen. Durch austretendes Medium können Personen- sowie Sachschäden auftreten.

- ▶ Gehäusemutter nur mit Bandschlüssel oder Hakenschlüssel öffnen und schliessen.

4. Antrieb in Stellung „ZU“ bringen.



5. Um Membrane aus dem Gehäuse auszubauen: Antrieb festhalten und Membrane gegen Uhrzeigersinn drehen.



6. Neue Membrane in gleiche Position wie alte Membrane einbauen.
- ▶ Antrieb für die ersten Umdrehungen gerade aufstellen damit der Membranhalter den Gewindestift der Membrane fassen kann.
 - ▶ Membrane im Uhrzeigersinn handfest einschrauben.
 - ▶ Membrane wieder um mindestens 90°/maximal 360° zurückdrehen. Dabei Dichtwulst der Membrane parallel zum Dichtsteg neu ausrichten. Die Ohren der Membrane müssen genau auf die schmalen Führungsnuten des Innengehäuses positioniert sein.

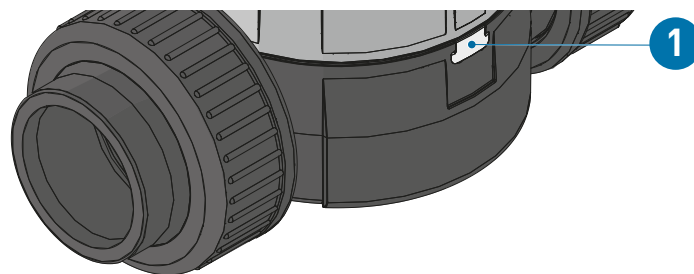
⚠ WARNUNG!

Membrane falsch eingeschraubt!

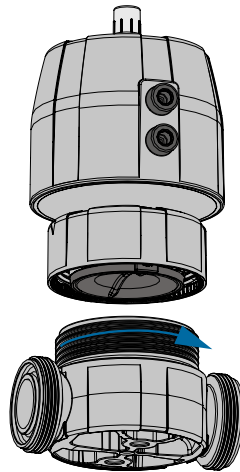
Wenn die Membrane nicht korrekt wie angegeben im Innengehäuse eingeschraubt wurde, können Undichtheiten und Materialschäden entstehen. Die Funktion des Ventils ist nicht mehr gewährleistet.

- ▶ Membrane korrekt im Innengehäuse einschrauben.

7. Bei Änderung des Membranwerkstoffs: Rasterelement (1) am Ventilkörper mit Hilfe eines Schraubendrehers lösen und entfernen. Neues Rasterelement eindrücken.



8. Antrieb mit Gehäusemutter auf Ventilkörper setzen und positionieren: Durchgangswulst der Membrane parallel zum Dichtsteg ausrichten.



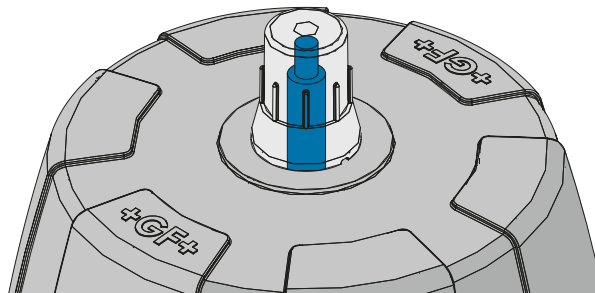
GEFÄHR!

Gehäusemutter nicht schmieren!

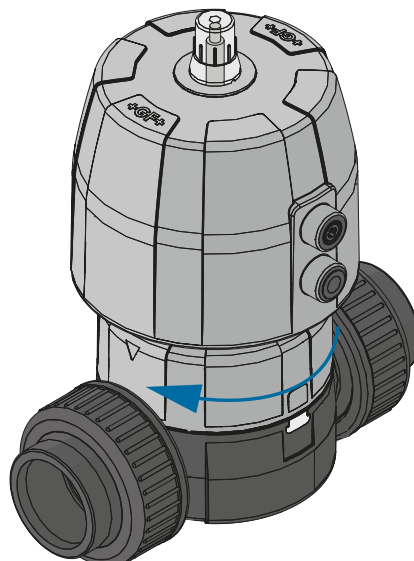
Verwendung von Schmiermitteln kann, speziell bei amorphen Kunststoffen, Spannungsrisse am Ventilkörper verursachen. Folgen können Kontakt mit gefährlichem Medium sein. Die Funktionsfähigkeit des Ventils wäre nicht mehr gewährleistet.

- ▶ Keine Schmiermittel an Gewindeverbindung zwischen Gehäusemutter und Ventilkörper verwenden.

9. Antrieb in Stellung „AUF“ bringen. Stellungsanzeige ist oben.

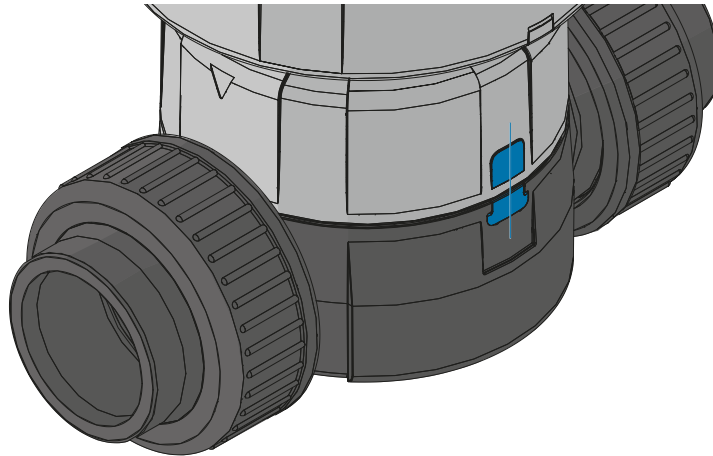


10. Gehäusemutter handfest anziehen. Die Membrane ist zentriert.



11. Gehäusemutter mit Bandschlüssel/ Spezialwerkzeug festdrehen bis...

- ein Spaltmaß von 0,5mm bis 1mm zwischen Ventilkörper und Gehäusemutter erreicht ist...
- und der halbrunde Indikator an der Gehäusemutter mit dem Rasterelement am Ventilkörper fluchtet.



Hinweis: Bei Ventilen mit eingebauter Hubbegrenzung wird empfohlen, das Ventil nach dem Zusammenbau neu einzustellen.

8 Störungsbehebung

Störung	Mögliche Ursache	Störungsbehebung
Leckage nach aussen an Flanschverbindung	Temperaturwechsel	▶ Verbindung nachziehen und ggf. Dichtung ersetzen.
	Defekte Dichtung	▶ Dichtung ersetzen.
Leckage nach aussen an Überwurfmutter	Lose Verbindung von Überwurfmutter und Ventilkörper	▶ Verbindung handfest anziehen.
	Defekte Dichtung	▶ Dichtung ersetzen.
Leckage an Verbindung zwischen Ventilkörper und Gehäusemutter	Gehäusemutter nicht korrekt angezogen	▶ Gehäusemutter nachziehen.
	Verschleiss der Membrane	▶ Membrane wechseln.
	Ventilkörper defekt	▶ Ventilkörper auf Beschädigungen prüfen und ggf. austauschen.
	Membrane nicht korrekt eingebaut/ ausgerichtet	▶ Korrekter Einbau der Membrane überprüfen.
Leckage im Sitz/Durchgangsleckage	Verschleiss der Membrane	▶ Membrane wechseln.
Leckage des Steuermediums aus nicht angeschlossenem Luftanschluss	Verschleiss der Dichtungen	▶ Spindel- und Kolbendichtungen wechseln.
Leckage des Steuermediums an Entlüftung	Verschleiss der Dichtungen und Membrane	▶ Spindel- und Kolbendichtungen wechseln.
Armatur übt nicht den spezifizierten Hub aus bzw. schliesst oder öffnet nicht	Höhe des Steuerdrucks nicht korrekt gewählt	▶ Steuerdruck überprüfen.
	Funktion und Anschlüsse für Steuermedium passen nicht zusammen	▶ Funktion (FC, FO, DA) und zugehörige Anschlüsse überprüfen.
	Defekte Be- und Entlüftungsleitung	▶ Be- und Entlüftungsleitung auf Funktion prüfen.
Membranventil öffnet nicht vollständig	Membrane nicht korrekt eingebaut/ ausgerichtet	▶ Korrekter Einbau der Membrane überprüfen.
Membranventil schliesst nicht vollständig	Druck im Rohrleitungssystem zu hoch	▶ Ventil nur innerhalb der spezifizierten Daten betreiben.
	Fremdkörper zwischen Membrane und Ventilkörper	▶ Fremdkörper entfernen und Ventilkörper und Membrane auf Beschädigungen prüfen.
	Defekte Bauteile	▶ Ventilkörper und Membrane auf Beschädigung prüfen und ggf. austauschen.
Ventil-Betätigung schwergängig	Verschleiss der Spindel oder Dichtungen	▶ Dichtungen und ggf. Funktionsteile wechseln.
Rohrleitung und/oder Membranventil verformen sich bzw. dehnen sich aus	Rohrleitungskräfte sind zu hoch	▶ Abstützung der Rohrleitung verbessern.
Vorzeitiger Verschleiss des Membranventils oder einzelner Teile	Werkstoff sind nicht genügend beständig	▶ Geeignete Werkstoffe auswählen, siehe Georg Fischer Planungsgrundlagen Industrie.
	Medium verschmutzt	▶ Medium auf Verschmutzungen überprüfen/reinigen.

Membrane verschleisst vorzeitig	Steuerdruck zu hoch	▶ Steuerdruck gemäss zugehörigem Steuerdruckdiagramm wählen.
	Funktion und Anschlüsse für Steuermedium passen nicht zusammen	▶ Funktion (FC, FO, DA) und zugehörige Anschlüsse überprüfen.
	Antrieb nicht passend zu Mediumsdruck gewählt	▶ Passenden Antriebstyp wählen.
	Verschmutzte Entlüftungsbohrung	▶ Entlüftungsbohrung an Oberteil kontrollieren und säubern.
Weissverfärbung an der Gehäusemutter	Chemische Schädigung	▶ Sofortiger Membranwechsel und aller verschlissener Bauteile unter allen angegebenen Sicherheitsvorschriften.

9 Zubehör und Ersatzteile

VORSICHT!

Keine Veränderungen am Produkt vornehmen!

Materialschaden und/oder Verletzungsgefahr durch Veränderungen am Produkt oder nicht kompatible Ersatzteile.

- ▶ Sichern von Anlage/Gerät vor unbeabsichtigter Betätigung.
- ▶ Keine defekten Ersatzteile einsetzen.

VORSICHT!

Falsche Ersatzteile!

Bei einem Austausch dürfen ausschliesslich die für den Ventil-Typ vorgesehenen Original-Ersatzteile von Georg Fischer Piping Systems verwendet werden.

- ▶ Verwendung ausschliesslich von original-Ersatzteilen von Georg Fischer Piping Systems mit den Angaben gemäss Typenschild.

9.1 Zubehör

- Elektrische Rückmelder mit Schalterbauarten AgNi und Au
- Umrüstung zum drucksicheren Gehäuse
- Bandschlüssel
- Vorsteuerventile: Typ PV94/95, MNL532, 5470

10 Entsorgung

- ▶ Vor Entsorgung die einzelnen Materialien nach recycelbaren Stoffen, Normalabfall und Sonderabfall trennen.
- ▶ Bei Entsorgung oder Recycling des Produkts, der einzelnen Komponenten und der Verpackung die örtlichen gesetzlichen Bestimmungen und Verordnungen einhalten.
- ▶ Länderspezifische Vorschriften, Normen und Richtlinien beachten.

WARNUNG!

Kontaminierte Bauteile!

Teile des Produkts können mit gesundheits- und umweltschädlichen Medien kontaminiert sein, so dass eine einfache Reinigung nicht ausreichend ist! Gefahr von Personen- oder Umweltschäden durch diese Medien. Vor der Entsorgung des Produkts:

- ▶ Sammeln auslaufender Medien und Entsorgen entsprechend der örtlichen Vorschriften.
- ▶ Konsultieren des Sicherheitsdatenblatts der eingesetzten Medien.
- ▶ Neutralisieren eventueller Medienrückstände im Produkt.
- ▶ Trennen und Entsorgen der Werkstoffe (Kunststoffe, Metalle, usw.) nach den örtlichen Vorschriften.

Weltweit für Sie da

Unsere Verkaufsgesellschaften und Vertreter vor Ort bieten Ihnen Beratung in mehr als 100 Ländern.

www.gfps.com

Argentinien / Südamerika

Georg Fischer Central Plastics Sudamérica S.R.L.
Buenos Aires / Argentinien
Telefon: +54 11 4512 02 90
gfcentral.ps.ar@georgfischer.com
www.gfps.com/ar

Australien

Georg Fischer Pty Ltd
Riverwood NSW 2210
Telefon: +61 (0) 2 9502 8000
australia.ps@georgfischer.com
www.gfps.com/au

Österreich

Georg Fischer Rohrleitungssysteme GmbH
3130 Herzogenburg
Telefon: +43 (0) 2782 856 43-0
austria.ps@georgfischer.com
www.gfps.com/at

Belgien / Luxemburg

Georg Fischer NV/SA
1600 Sint-Pieters-Leeuw / Belgien
Telefon: +32 (0) 2 556 40 20
Fax: +32 (0) 2 524 34 26
be.ps@georgfischer.com
www.gfps.com/be

Brasilien

Georg Fischer Sist. de Tub. Ltda.
04571-020 São Paulo/SP
Telefon: +55 (0) 11 5525 1311
br.ps@georgfischer.com
www.gfps.com/br

Kanada

Georg Fischer Piping Systems Ltd
Mississauga, ON L5T 2B2
Telefon: +1 (905) 670 8005
Fax: +1 (905) 670 8513
ca.ps@georgfischer.com
www.gfps.com/ca

China

Georg Fischer Piping Systems Ltd
Shanghai 201319
Telefon: +86 21 3899 3899
china.ps@georgfischer.com
www.gfps.com/cn

Dänemark / Island

Georg Fischer A/S
2630 Taastrup / Dänemark
Telefon: +45 (0) 70 22 19 75
info.dk.ps@georgfischer.com
www.gfps.com/dk

Finnland

Georg Fischer AB
01510 Vantaa
Telefon: +358 (0) 9 586 58 25
Fax: +358 (0) 9 586 58 29
info.fi.ps@georgfischer.com
www.gfps.com/fin

Frankreich

Georg Fischer SAS
95932 Roissy Charles de Gaulle Cedex
Telefon: +33 (0) 1 41 84 68 84
fr.ps@georgfischer.com
www.gfps.com/fr

Deutschland

Georg Fischer GmbH
73095 Albershausen
Telefon: +49 (0) 7161 302 0
info.de.ps@georgfischer.com
www.gfps.com/de

Indien

Georg Fischer Piping Systems Pvt. Ltd
400 083 Mumbai
Telefon: +91 22 4007 2000
Fax: +91 22 4007 2020
branchoffice@georgfischer.com
www.gfps.com/in

Indonesien

PT Georg Fischer Indonesia
Karawang 41371, Jawa Barat
Telefon: +62 267 432 044
Fax: +62 267 431 857
indonesia.ps@georgfischer.com
www.gfps.com/id

Italien

Georg Fischer S.p.A.
20864 Agrate Brianza (MB)
Telefon: +39 02 921 86 1
Fax: +39 02 921 86 24 7
it.ps@georgfischer.com
www.gfps.com/it

Japan

Georg Fischer Ltd
530-0003 Osaka
Telefon: +81 (0) 6 6341 2451
jp.ps@georgfischer.com
www.gfps.com/jp

Korea

Georg Fischer Korea Co. Ltd
Unit 2501, U-Tower
120 Heungdeok Jungang-ro
(Yeongdeok-dong)
Giheung-gu, Yongin-si, Gyeonggi-do
Telefon: +82 31 8017 1450
Fax: +82 31 217 1454
kor.ps@georgfischer.com
www.gfps.com/kr

Malaysia

George Fischer (M) Sdn. Bhd.
41200 Klang, Selangor Darul Ehsan
Telefon: +60 (0) 3 3122 5585
Fax: +60 (0) 3 3122 5575
my.ps@georgfischer.com
www.gfps.com/my

Mexiko / Lateinamerika

Georg Fischer S.A. de C.V.
CP 66603 Apodaca, Nuevo León / Mexico
Telefon: +52 (81) 1340 8586
Fax: +52 (81) 1522 8906
mx.ps@georgfischer.com
www.gfps.com/mx

Mittlerer Osten

Georg Fischer Piping Systems (Switzerland) Ltd
Dubai / Vereinigte Arabische Emirate
Telefon: +971 4 289 49 60
gcc.ps@georgfischer.com
www.gfps.com/int

Niederlande

Georg Fischer N.V.
8161 PA Epe
Telefon: +31 (0) 578 678 222
nl.ps@georgfischer.com
www.gfps.com/nl

Neuseeland

Georg Fischer Ltd
5018 Upper Hutt
Telefon: +04 527 9813
Fax: +04 527 9834
nz.ps@georgfischer.com
www.gfps.com/nz

Norwegen

Georg Fischer AS
1351 Rud
Telefon: +47 67 18 29 00
no.ps@georgfischer.com
www.gfps.com/no

Philippinen

George Fischer Pte. Ltd.
Philippines Representative Office
1500 San Juan City
Telefon: +632 571 2365
Fax: +632 571 2368
sgp.ps@georgfischer.com
www.gfps.com/sg

Polen

Georg Fischer Sp. z o.o.
05-090 Sekocin Nowy
Telefon: +48 (0) 22 31 31 0 50
poland.ps@georgfischer.com
www.gfps.com/pl

Rumänien

Georg Fischer Piping Systems (Switzerland) Ltd
020257 Bucharest - Sector 2
Telefon: +40 (0) 21 230 53 80
ro.ps@georgfischer.com
www.gfps.com/int

Russland

Georg Fischer Piping Systems (Switzerland) Ltd
Moscow 125040
Telefon: +7 495 748 11 44
ru.ps@georgfischer.com
www.gfps.com/ru

Singapur

George Fischer Pte Ltd
528 872 Singapore
Telefon: +65 6747 0611
Fax: +65 6747 0577
sgp.ps@georgfischer.com
www.gfps.com/sg

Spanien / Portugal

Georg Fischer S.A.
28046 Madrid / Spanien
Telefon: +34 (0) 91 781 98 90
es.ps@georgfischer.com
www.gfps.com/es

Schweden

Georg Fischer AB
117 43 Stockholm
Telefon: +46 (0) 8 506 775 00
info.se.ps@georgfischer.com
www.gfps.com/se

Schweiz

Georg Fischer Rohrleitungssysteme (Schweiz) AG
8201 Schaffhausen
Telefon: +41 (0) 52 631 3026
ch.ps@georgfischer.com
www.gfps.com/ch

Taiwan

Georg Fischer Co. Ltd
San Chung Dist., New Taipei City
Telefon: +886 2 8512 2822
Fax: +886 2 8512 2823
www.gfps.com/tw

Grossbritannien / Irland

George Fischer Sales Limited
Coventry, CV2 2ST / Grossbritannien
Telefon: +44 (0) 2476 535 535
uk.ps@georgfischer.com
www.gfps.com/uk

USA / Karibik

Georg Fischer LLC
92618 Irvine, CA / USA
Telefon: +1 714 731 8800
Fax: +1 714 731 6201
us.ps@georgfischer.com
www.gfps.com/us

Vietnam

George Fischer Pte Ltd
Representative Office
Ho Chi Minh City
Telefon: +84 28 3948 4000
Fax: +84 28 3948 4010
sgp.ps@georgfischer.com
www.gfps.com/vn

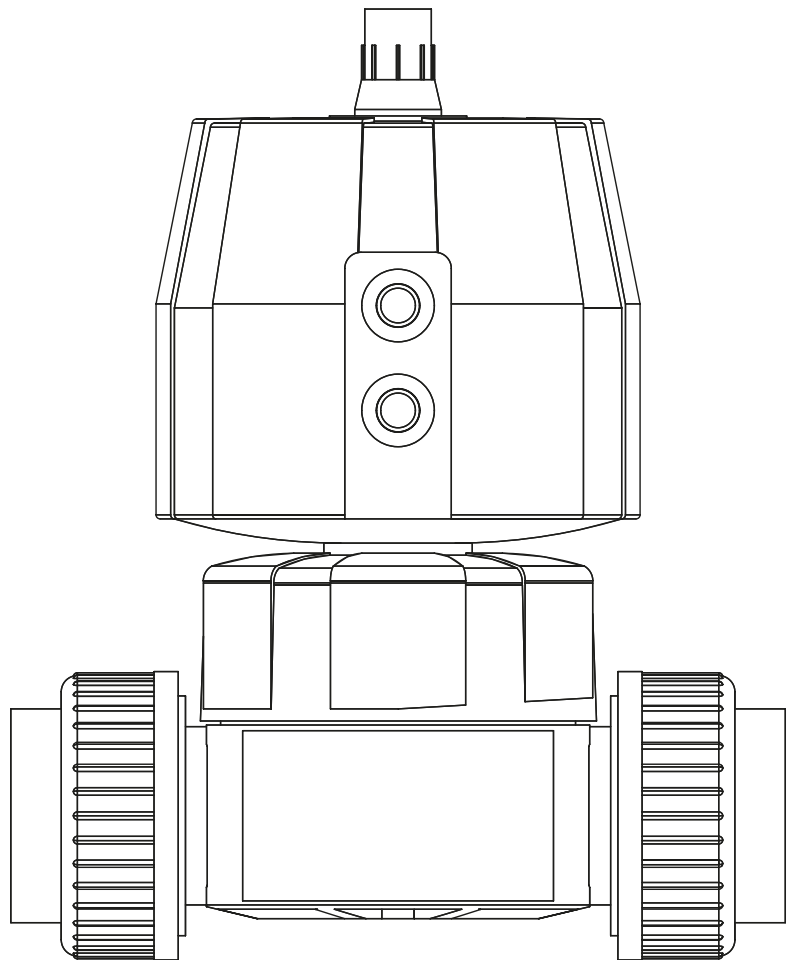
International

Georg Fischer Piping Systems (Switzerland) Ltd
8201 Schaffhausen / Schweiz
Telefon: +41 (0) 52 631 3003
Fax: +41 (0) 52 631 2893
info.export@georgfischer.com
www.gfps.com/int

Die hierin enthaltenen Informationen und technischen Daten (insgesamt „Daten“) sind nicht verbindlich, sofern sie nicht ausdrücklich schriftlich bestätigt werden. Die Daten begründen weder ausdrückliche, stillschweigende oder zugesicherte Merkmale noch garantierte Eigenschaften oder eine garantierte Haltbarkeit. Änderungen aller Daten bleiben vorbehalten. Es gelten die Allgemeinen Verkaufsbedingungen der Georg Fischer Piping Systems.

Robinet à membrane pneumatique DIASTAR

Manuel d'utilisation



Traduction du manuel d'utilisation original

Exclusion de responsabilité

Les données techniques ne sont pas contractuelles. Elles ne sont pas des garanties et ne constituent pas non plus un gage de propriété intrinsèque ou de durabilité. Sous réserve de modifications. Nos conditions générales de vente s'appliquent.

Sommaire

1	À propos de ce document	83
1.1	Documents applicables	83
1.2	Symboles	83
1.3	Abréviations	83
1.4	Termes utilisés	83
2	Consignes de sécurité	84
2.1	Signification des termes d'avertissement	84
2.2	Se reporter au manuel d'utilisation	84
2.3	Sécurité et responsabilité	84
2.4	Consignes pour le personnel d'entretien et les opérateurs	85
3	Description du produit	86
3.1	Utilisation conforme aux dispositions	86
3.2	Utilisation non conforme aux dispositions	86
3.3	Déclaration de conformité CE	86
3.4	Aperçu des types	87
3.5	Structure et fonctionnement	87
3.6	Identification	89
3.7	Données techniques	90
4	Installation	99
4.1	Préparatifs	99
4.2	Procédure d'installation	100
4.3	Modification de la position des raccords pour la pression de commande	102
4.4	Raccordement de la pression de commande	104
5	Mise en service	105
5.1	Préparatifs	105
5.2	Test de pression	105
6	Mode de fonctionnement normal	106

6.1	Mesures pendant le fonctionnement	106
7	Maintenance	107
7.1	Plan de maintenance	107
7.2	Dépose et démontage	108
7.3	Remplacement de la membrane	109
8	Dépannage	113
9	Accessoires et pièces de rechange	114
9.1	Accessoires	114
10	Élimination	114

1 À propos de ce document

1.1 Documents applicables

Document	
Bases de planification Georg Fischer pour l'industrie	700671687
Fiche technique	www.gfps.com/is-manuals-valves
Résistance chimique	www.gfps.com

Ces documents sont disponibles auprès de la société de vente de Georg Fischer ou sur le site www.gfps.com.

1.2 Symboles

Symbole	Signification
•	Liste dans un ordre non défini.
▶	Demande d'action : une intervention est requise.
1.	Demande d'action dans une procédure : intervenir dans l'ordre défini.

1.3 Abréviations

Abréviation	Signification
DN	Diamètre nominal
PN	Pression nominale
FC	Fonction FC/fermeture par force de ressort
FO	Fonction FO/ouverture par force de ressort
DA	Fonction DA/double effet

1.4 Termes utilisés

Terme	Signification
Robinet	Robinet à membrane pneumatique DIASTAR
Fluide	Fluide de service circulant dans le robinet.

2 Consignes de sécurité

Les consignes de sécurité se fondent sur un emploi comme décrit au chapitre « Utilisation conforme aux dispositions ».

Les consignes de sécurité ne couvrent pas les cas suivants :

- Événements fortuits survenant pendant l'installation, le fonctionnement et la maintenance.
- Le respect des dispositions de sécurité locales et propres au site relève de la responsabilité de l'exploitant.

2.1 Signification des termes d'avertissement

Des avertissements sont utilisés dans ce manuel d'utilisation afin de signaler à l'utilisateur un danger de mort, un risque de blessures ou des dégâts matériels. Toujours lire et respecter ces avertissements !

DANGER !

Menace de danger imminent !

En cas de non-respect, danger de mort ou risque de graves blessures.

- ▶ Mesures pour éviter le danger.

AVERTISSEMENT !

Menace de danger !

En cas de non-respect, risque de blessures graves.

- ▶ Mesures pour éviter le danger.

ATTENTION !

Situation dangereuse !

En cas de non-respect, risque de blessures légères.

- ▶ Mesures pour éviter le danger.

REMARQUE !

Situation dangereuse !

En cas de non-respect, risque de dégâts matériels.

2.2 Se reporter au manuel d'utilisation

Le manuel d'utilisation fait partie intégrante du produit et constitue un élément essentiel du concept de sécurité.

- ▶ Lire et respecter le manuel d'utilisation.
- ▶ Le manuel d'utilisation doit toujours se trouver à proximité du produit.
- ▶ Transmettre le manuel d'utilisation à tous les utilisateurs successifs du produit.

2.3 Sécurité et responsabilité

- ▶ Utiliser le produit exclusivement en conformité avec les dispositions, voir « Utilisation conforme aux dispositions ».
- ▶ Ne pas utiliser un produit endommagé ou défectueux. Remplacer immédiatement tout produit endommagé.
- ▶ S'assurer que le système de tuyauterie est posé correctement et qu'il est contrôlé régulièrement.
- ▶ Les robinets et le système de tuyauterie dans lequel ils sont intégrés sont régis par les mêmes dispositions de sécurité.

2.4 Consignes pour le personnel d'entretien et les opérateurs

Ce manuel d'utilisation s'adresse aux groupes cibles suivants :

Opérateurs

Opérateur : les opérateurs sont formés à l'utilisation du produit et suivent les prescriptions de sécurité.

Personnel d'entretien

Personnel d'entretien : le personnel d'entretien dispose d'une formation technique spécialisée et procède aux travaux d'installation, de mise en service et de maintenance.

DANGER !

Manipulation non conforme !

Des erreurs d'installation, de mise en service ou de maintenance peuvent entraîner des dommages corporels et matériels, et constituer un risque pour l'environnement.

- ▶ Seules des personnes disposant d'une formation, de connaissances ou d'une expérience appropriées sont habilitées à procéder à l'installation ou la mise en service du produit et des accessoires.
- ▶ Informer régulièrement le personnel de toutes les questions relatives aux prescriptions locales applicables en matière de sécurité du travail et de protection de l'environnement, notamment pour les tuyaux sous pression.

DANGER !

Utilisation de fluides dangereux ou non autorisés !

Les fluides chauds ou chimiquement agressifs non autorisés peuvent attaquer les matériaux, provoquer des dommages corporels et constituer un danger pour l'environnement.

Les composants qui ne sont pas en contact avec le fluide sont exposés en cas de fuites à l'intérieur du robinet.

- ▶ Respecter les fiches techniques de sécurité ou les règles de sécurité applicables aux fluides utilisés.
- ▶ Vérifier la compatibilité des matériaux du robinet avec le fluide.
- ▶ Ne pas utiliser de fluides non autorisés.
- ▶ Inspecter régulièrement le robinet à la recherche de traces d'usure, le cas échéant procéder à une maintenance.
- ▶ Porter un équipement de protection individuelle approprié.
- ▶ En cas de fluides chauds : intervenir uniquement sur une installation refroidie.
- ▶ En cas de doute concernant les fluides autorisés, contacter la société de distribution Georg Fischer Piping Systems.

3 Description du produit

3.1 Utilisation conforme aux dispositions

Après son montage dans un système de tuyauterie industriel compatible, le robinet à membrane pneumatique DIASTAR est exclusivement destiné à bloquer, acheminer les fluides autorisés ou à en régler le débit.

Il ne peut être utilisé que dans la limite de la résistance chimique de l'ensemble de la vanne et de tous ses composants.

3.2 Utilisation non conforme aux dispositions

Toute utilisation autre que celle décrite dans le chapitre « Utilisation conforme aux dispositions » est considérée comme inappropriée et

est donc interdite. Si des produits non compatibles sont installés ou utilisés dans des applications liées à la sécurité,

des circonstances imprévisibles peuvent affecter le fonctionnement et entraîner des dommages corporels et/ou

matériels. Utiliser le produit dans des applications liées à la sécurité uniquement si cette utilisation est explicitement spécifiée et autorisée dans la documentation du produit.

Georg Fischer Piping Systems Ltd. décline toute responsabilité pour les dommages résultant d'une utilisation non conforme aux dispositions. En cas d'utilisation inappropriée, l'utilisateur endosse l'entière responsabilité des risques encourus.

3.3 Déclaration de conformité CE

Le fabricant Georg Fischer Piping Systems Ltd., 8201 Schaffhouse (Suisse) déclare que les machines énumérées ci-dessous sont conformes aux normes de conception harmonisées au sens de la directive CE sur les machines 2006/42/CE, annexe II A et qu'elles répondent aux exigences de cette directive applicable aux machines. La documentation technique des machines a été établie conformément à l'annexe VII, partie A, de la présente directive et le label CE des machines témoigne de cette conformité. En outre, nous déclarons que les machines sont conformes aux dispositions pertinentes des autres directives européennes spécifiées.

Catégorie de produits	Désignation de type	Autres directives et normes de conception harmonisées	
Robinets à membrane pneumatiques	DIASTAR Six	• EN ISO 16138	• 2006/42/CE
	DIASTAR Ten		• 2014/68/UE
	DIASTAR TenPlus		• 2011/65/UE
	DIASTAR Sixteen		• EN ISO 12100
			• EN 1349
			• EN ISO 4414
			• NE 19

Schaffhouse, le 09.04.2024

Bastian Lübke

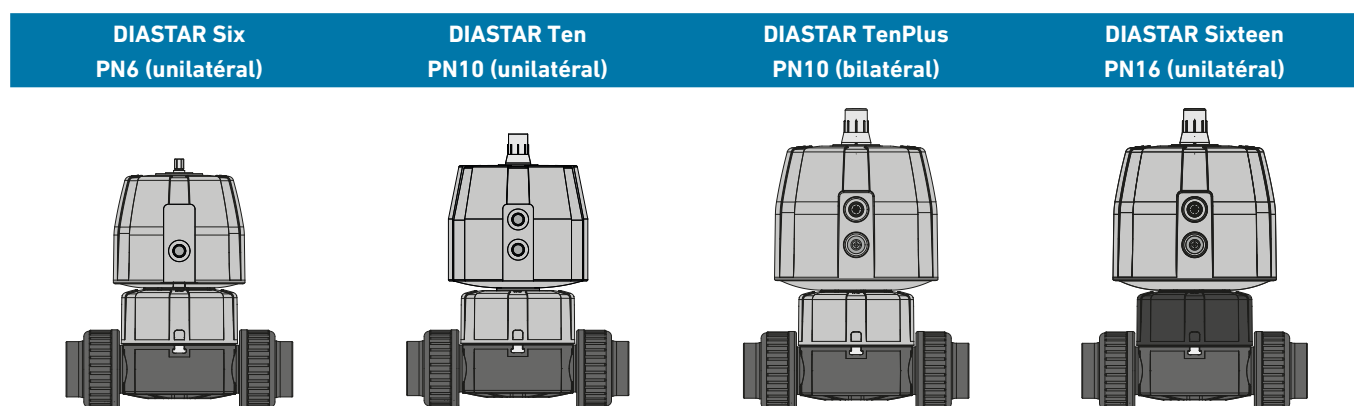
Head of Global R&D

Georg Fischer Piping Systems Ltd.

CH-8201 Schaffhausen (Switzerland)



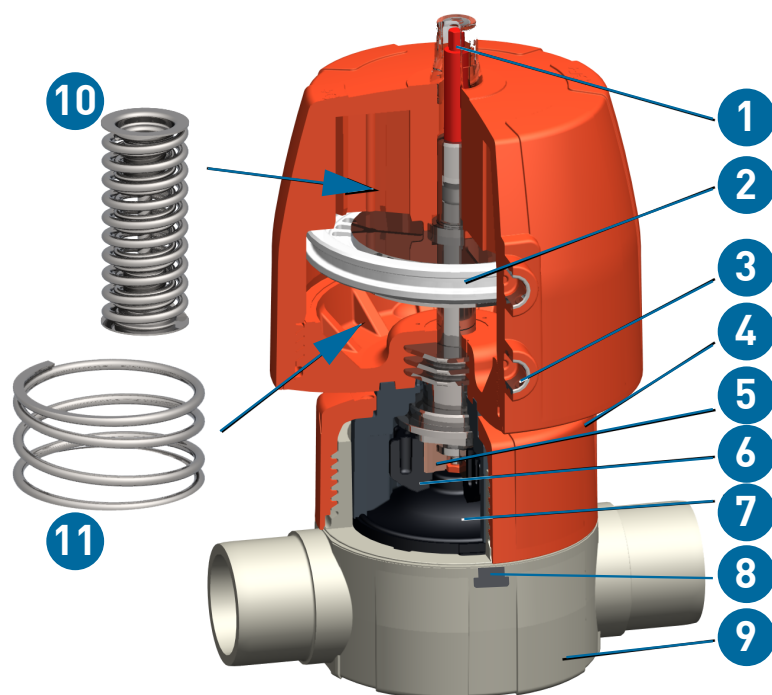
3.4 Aperçu des types



3.5 Structure et fonctionnement

3.5.1 Structure

La structure du robinet est identique pour les quatre types de corps de vanne, à l'exception des raccords.



Pos.	Désignation
1	Indication de position optique
2	Piston
3	Raccords pour fluide de commande
4	Écrou de boîtier
5	Support de membrane
6	Compresseur
7	Membrane
8	Verrou à friction
9	Corps de vanne
10	Blocs ressorts précontraints pour la fonction FC
11	Ressort pour fonction FO

Mode de fonctionnement DA sans ressort (pos. 10 ou 11).

3.5.2 Fonction

Fonction FC

À l'état de repos, le robinet est fermé par la force du ressort. Si le servomécanisme est alimenté par la pression de commande (raccord inférieur), le robinet s'ouvre. Si la pression de commande est relâchée, le robinet est fermé par la force du ressort.

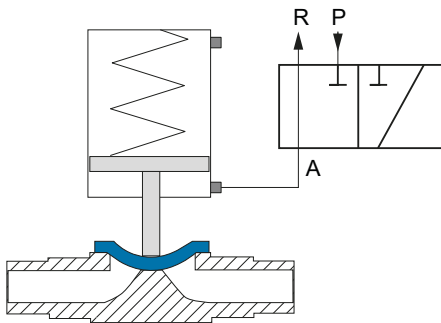
Fonction FO

À l'état de repos, le robinet est ouvert par la force du ressort. Si le servomécanisme est alimenté par la pression de commande (raccord supérieur), le robinet se ferme. Si la pression de commande est relâchée, le robinet est fermé par la force du ressort.

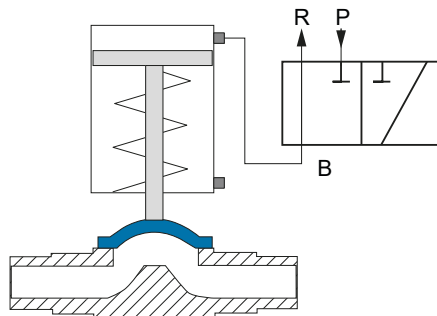
Fonction DA

Le robinet n'a pas de position initiale définie. L'ouverture et la fermeture du robinet s'effectuent par application de la pression de commande au niveau du raccord correspondant (raccord supérieur pour la fermeture, raccord inférieur pour l'ouverture).

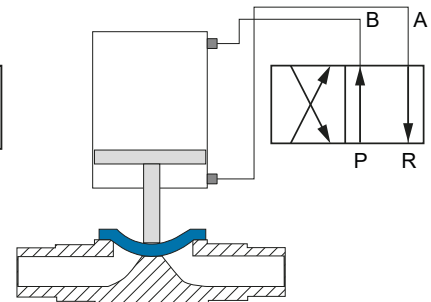
Sélection de vanne magnétique et filets de raccord correspondants



Fonction FC avec une vanne magnétique pilote 3/2 voies au niveau du raccord inférieur



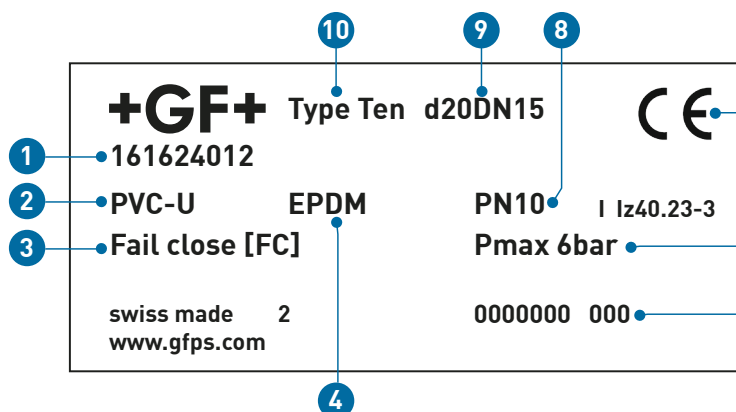
Fonction FO avec une vanne magnétique pilote 3/2 voies au niveau du raccord supérieur



Fonction DA avec une vanne magnétique pilote 4/2 ou 5/2 voies. Les deux raccords sont utilisés.

3.6 Identification

3.6.1 Robinet à membrane

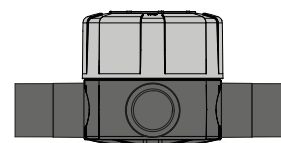
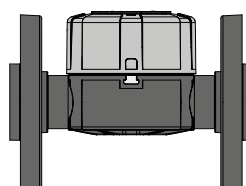
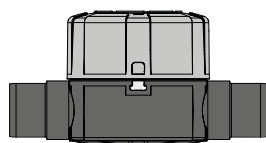
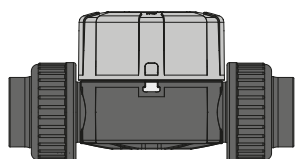


Pos.	Désignation
1	Numéro de commande
2	Matériau du corps de vanne
3	Fonctionnement
4	Matériau de la membrane
5	Numéro de série
6	Pression de commande max.
7	Label CE et homologations
8	Pression nominale
9	Dimension
10	Type DIASTAR

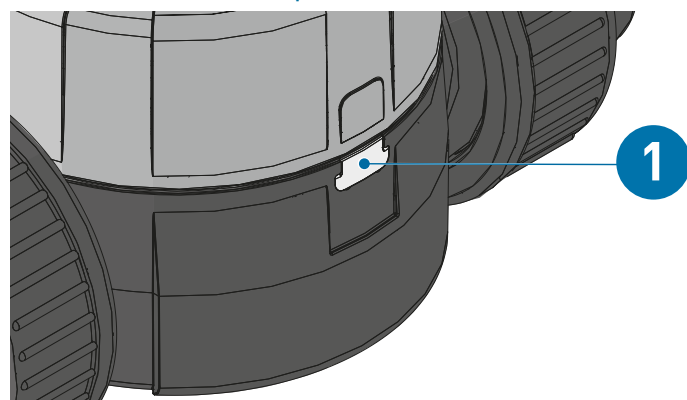
3.6.2 Corps de vanne

Les corps de vanne sont adaptés à différents types de raccords :

Type 514	Type 515	Type 517	Type 519
Montage et démontage radiaux	Variante à manchons	Variante à bride	Vanne de sortie



3.6.3 Caractéristique d'identification du matériau de la membrane



Pos.	Désignation
1	Verrou à friction

La couleur de l'Verrou à friction sur le corps de vanne indique le matériau de la membrane.

Verrou à friction	Matériau de la membrane	Joint torique*
Couleur		
Noire	EPDM	EPDM
Blanche	PTFE/EPDM	FKM
Verte	PTFE/FKM	FKM
Rouge	FKM	FKM
Bleue	NBR	EPDM

*pour type 514

3.7 Données techniques

3.7.1 Spécifications

























Spécifications				
Fluides autorisés	Les fluides liquides et gazeux sans impact négatif sur les propriétés physiques et chimiques des matériaux respectifs du corps de vanne et de la membrane pendant le fonctionnement normal. Pour en savoir plus sur la résistance chimique, contacter la société de vente Georg Fischer ou consulter le site www.gfps.com .			
Dimensions	Type Six	d20/DN15 – d63/DN50, 3/8" – 2"		
	Type Ten	d20/DN15 – d63/DN50, 3/8" – 2"		
	Type TenPlus	d20/DN15 – d63/DN50, 3/8" – 2"		
	Type Sixteen	d20/DN15 – d63/DN50, 1/2" – 2"		
Materiaux	Corps de vanne	Type Six	PVC-U, PVC-C, ABS, PP-H	
		Type Ten	PVC-U, PVC-C, ABS, PP-H, PP-N, PVDF, PVDF-HP	
		Type TenPlus	PVC-U, PVC-C, ABS, PP-H, PP-N, PVDF, PVDF-HP	
		Type Sixteen	PVC-U, PVC-C, ABS, PVDF, PVDF-HP	
	Écrou de boîtier	PPGF30 pour PN10		
		PPSGF40 pour PN16 (uniquement pour eau)		
	Joints/membrane ¹⁾	Type Six	EPDM, FKM	
		Type Ten	EPDM, PTFE/EPDM, FKM, PTFE/FKM, NBR, FFKM	
Type TenPlus		EPDM, PTFE/EPDM, FKM, PTFE/FKM, NBR, FFKM		
Type Sixteen		EPDM, PTFE/EPDM, FKM, PTFE/FKM, NBR, FFKM		
Aperçu des types	Type Six	Pression nominale : 6 bar	Pression du fluide : unilatérale	
	Type Ten	Pression nominale : 10 bar	Pression du fluide : unilatérale	
	Type TenPlus	Pression nominale : 10 bar	Pression du fluide : bilatérale	
	Type Sixteen	Pression nominale : 16 bar	Pression du fluide : unilatérale	
Température de service ²⁾ (matériau du corps de vanne)	PVC-U	0 à 60 °C		
	PVC-C	0 à 80 °C		
	ABS	-30 à 60 °C		
	PP	0 à 80 °C		
	PVDF	-20 à 140 °C		
Fonctions	Type Six	FC		
	Type Ten	FC, FO, DA		
	Type TenPlus	FC		
	Type Sixteen	FC, FO, DA		
Servomécanisme	Pneumatique			
Raccords	Type 514	Manchon d'union avec emboîtures pour collage, emboîtures taraudées, emboîtures à souder, manchons pour soudage bout à bout		
	Type 515	Bouts mâles pour collage, manchons pour soudage à emboîtement, manchons pour soudage bout à bout		
	Type 517	Bride fixe ³⁾ , bride tournante		
	Type 519	Vanne 3 voies avec manchons pour soudage bout à bout		
Homologations	ACS, FDA, DIBt, TA air, NAMSA			

¹⁾ Autres combinaisons sur demande.

²⁾ Diagramme pression-température dans fiche technique. Les plages de température peuvent varier en fonction de la combinaison des matériaux d'étanchéité.

³⁾ Uniquement variante JIS.

3.7.2 Tailles de servomécanismes DIASTAR

DN	DIASTAR Six FC	DIASTAR Ten FC/FO/DA	DIASTAR Sixteen FC	DIASTAR Sixteen DA/FO
15	 1	 1	 2	 1
20	 2	 2	 2	 2
25	 2	 2	 3	 2
32	 3	 3	 4	 3
40	 3	 4	 5	 4
50	 3	 4	 5	 4

3.7.3 Raccord d'air

	DIASTAR Six FC	DIASTAR Ten FC/FO/ DA	DIASTAR TenPlus FC	DIASTAR Sixteen FC
d20/DN15	T 1/8"	T 1/8"	T 1/8"	T 1/8"
d25/DN20	T 1/8"	T 1/8"	T 1/8"	T 1/8"
d32/DN25	T 1/8"	T 1/8"	T 1/8"	T 1/8"
d40/DN32	T 1/8"	T 1/8"	T 1/4"	T 1/4"
d50/DN40	T 1/8"	T 1/4"	T 1/4"	T 1/4"
d63/DN50	T 1/8"	T 1/4"	T 1/4"	T 1/4"

REMARQUE !

Relation entre la pression de fluide et les blocs ressorts !

Les forces de fermeture des servomécanismes ont été conçues pour l'étage de pression spécifié PN. Le fonctionnement à des pressions de fluide très basses et avec des servomécanismes très puissants entraîne une usure accrue de la membrane, par exemple, utiliser DIASTAR Sixteen (FC) exclusivement à des pressions de fluide > PN6.

- Pour prolonger la durée de vie à de faibles pressions de fluide, réduire le nombre de blocs ressorts. Pour une configuration spécifique, veuillez contacter votre interlocuteur de Georg Fischer Piping Systems.

DANGER !

Réduction du nombre de blocs ressorts !

La réduction des blocs ressorts entraîne une diminution de la force de fermeture. Une augmentation de la pression du fluide peut entraver la capacité de blocage du robinet à membrane dans le système de tuyauterie en cas de blocs ressorts manquants. Risque de dysfonctionnement du processus.

- Configurer les robinets à membrane et les blocs ressorts en fonction de la pression du fluide.

3.7.4 Pression de commande

Fonction FC	Fonction FO	Fonction DA
6 bar maximum pour la fonction FC ; possibilité de faibles pressions de commande par réduction des blocs ressorts.	5 bar maximum pour la fonction FO. Pour la taille DN50 et une pression de fluide de >10 bar ou plus, la pression de commande maximale est de 6 bar.	5 bar maximum pour la fonction DA. Pour la taille DN50 et une pression de fluide de >10 bar ou plus, la pression de commande maximale est de 6 bar.
En fonction de la dimension, consulter le tableau des niveaux de pression et des diagrammes de pression de commande.	En fonction de la dimension, consulter le tableau des niveaux de pression et des diagrammes de pression de commande.	En fonction de la dimension, consulter le tableau des niveaux de pression et des diagrammes de pression de commande.
Classes d'air comprimé (ISO 8573-1) 2 ou 3 pour -10 °C et 3 ou 4 pour T>0 °C	Classes d'air comprimé (ISO 8573-1) 2 ou 3 pour -10 °C et 3 ou 4 pour T>0 °C	Classes d'air comprimé (ISO 8573-1) 2 ou 3 pour -10 °C et 3 ou 4 pour T>0 °C
À partir d'une pression de fluide de 10 bar, la pression de commande doit être réduite pour l'air d'échappement (régler le temps de manœuvre du servomécanisme à environ 3 s)	À partir d'une pression de fluide de 10 bar, l'air d'échappement du fluide de commande doit être réduit (régler le temps de manœuvre du servomécanisme à environ 3 s)	À partir d'une pression de fluide de 10 bar, l'air d'échappement du fluide de commande doit être réduit (régler le temps de manœuvre du servomécanisme à environ 3 s)
Température du fluide de commande max. 40 °C	Température du fluide de commande max. 40 °C	Température du fluide de commande max. 40 °C
	En fonction de la pression du fluide, il est possible de sélectionner de faibles pressions de commande.	En fonction de la pression du fluide, il est possible de sélectionner de faibles pressions de commande.

Remarque : pour une durée de vie optimale de la vanne, il est recommandé de régler la pression de commande en fonction de la pression du fluide – voir les diagrammes de pression de commande.

3.7.5 Volumes de commande

	DIASTAR Six (FC) [dm ³]	DIASTAR Ten (FC) [dm ³]	DIASTAR Ten (FO) [dm ³]	DIASTAR Ten (DA) [dm ³]		DIASTAR TenPlus (FC) [dm ³]	DIASTAR Sixteen (FC) [dm ³]
				fermer	ouvrir		
20DN15	0,04	0,04	0,07	0,07	0,04	0,10	0,10
25DN20	0,12	0,12	0,20	0,20	0,12	0,12	0,12
32DN25	0,12	0,12	0,23	0,23	0,12	0,22	0,22
40DN32	0,24	0,24	0,44	0,44	0,24	0,40	0,40
50DN40	0,24	0,42	0,86	0,86	0,42	0,70	0,70
63DN50	0,24	0,44	0,86	0,86	0,44	0,80	0,80

3.7.6 Étages de pression

DIASTAR Six FC

Matériau de corps de vanne	PVC-U, PVC-C, ABS, PP-H, PP-N	
	Étage de pression [bar]	Pression de commande max. ²⁾ [bar]
DN	EPDM ¹⁾	
20DN15	6	2,6
25DN20	6	3,8
32DN25	6	3,8
40DN32	6	3,8
50DN40	6	3,8
63DN50	6	5,5

Pression du fluide →
Appliquée unilatéralement

DIASTAR Ten FC

Matériau de corps de vanne	PVC-U, PVC-C, ABS, PP-H, PVDF, PVDF-HP, PP-N		
	Étage de pression [bar]		Pression de commande max. ²⁾ [bar]
DN	EPDM ¹⁾	PTFE	
20DN15	10	10/6*	5,4
25DN20	10	10/6*	5,4
32DN25	10	10/6*	5,4
40DN32	10	10/6*	5,4
50DN40	10	10/6*	5,4
63DN50	10	6/5	5,4

Pression du fluide → →
Appliquée unilatéralement Appliquée unilatéralement

DIASTAR Ten FO/DA

Matériau de corps de vanne	PVC-U, PVC-C, ABS, PP-H, PVDF, PVDF-HP, PP-N			
	Étage de pression [bar]		Pression de commande max. ³⁾ [bar]	
DN	EPDM ¹⁾	PTFE	EPDM ¹⁾	PTFE
20DN15	10	10/6*	4,5	3,5
25DN20	10	10/6*	4,5	3
32DN25	10	10/6*	4,5	3,5
40DN32	10	10/6*	4,5	3,5
50DN40	10	10/6*	3,5	3,5
63DN50	10	10/6*	3,5	4,5

Pression du fluide → →
Appliquée unilatéralement Appliquée unilatéralement

*En cas d'application bilatérale de la pression.


¹⁾ S'applique également à d'autres membranes en élastomère telles que FKM, NBR, etc.

²⁾ Si pression de fluide 0 bar.

³⁾ Si pression de fluide 10 bar.

DIASTAR TenPlus FC


Matériau de corps de vanne	PVC-U, PVC-C, ABS, P-H, PVDF, PVDF-HP		Pression de commande max. ²⁾ [bar]
	Étage de pression [bar]		
DN	EPDM ¹⁾	PTFE	
20DN15	10	10	5,4
25DN20	10	10	5,4
32DN25	10	10	5,4
40DN32	10	10	5,4
50DN40	10	10	5,4
63DN50	10	10	5,4

Pression du fluide 

Application bilatérale Application bilatérale

DIASTAR Sixteen FC

Matériau de corps de vanne	PVC-U, PVDF, PVDF-HP		Pression de commande max. ²⁾ [bar]
	Étage de pression [bar]		
DN	EPDM ¹⁾	PTFE	
20DN15	16	16	5,5
25DN20	16	16	5,5
32DN25	16	16	5,5
40DN32	16	16	5,5
50DN40	16	16	5,5
63DN50	16	10	5,5

Pression du fluide 

Appliquée unilatéralement Appliquée unilatéralement

¹⁾ S'applique également à d'autres membranes en élastomère telles que FKM, NBR, etc.

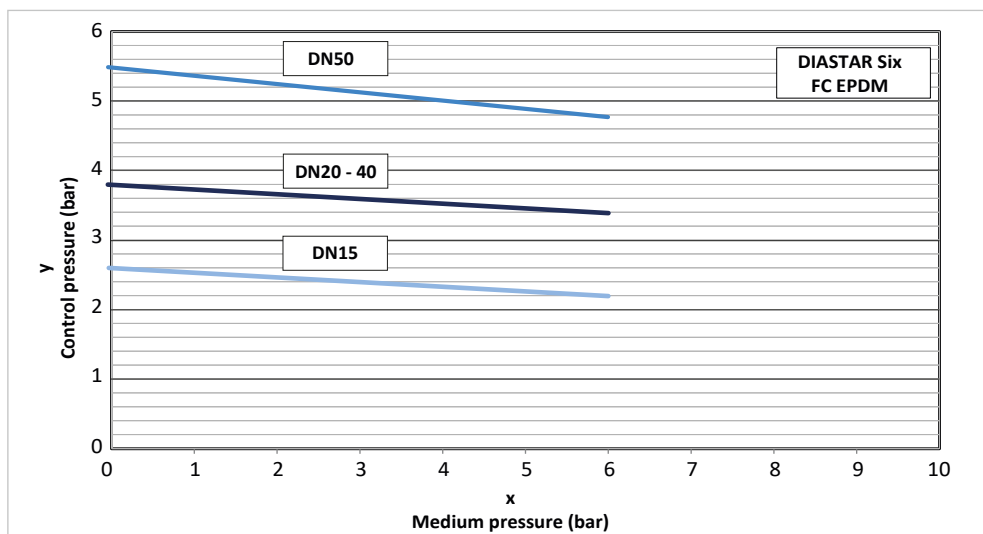
²⁾ Si pression de fluide 0 bar.

Remarque : pour une durée de vie optimale de la vanne, il est recommandé de régler la pression de commande PS en fonction de la pression du fluide – voir les diagrammes de pression de commande. La pression de commande PS peut varier en fonction du diamètre nominal DN, du matériau de la membrane et du fonctionnement du servomécanisme.

Si des pressions de commande différentes sont utilisées dans l'installation, il est recommandé d'utiliser une vanne de régulation de pression. Pour une configuration spécifique, veuillez contacter votre interlocuteur de Georg Fischer Piping Systems.

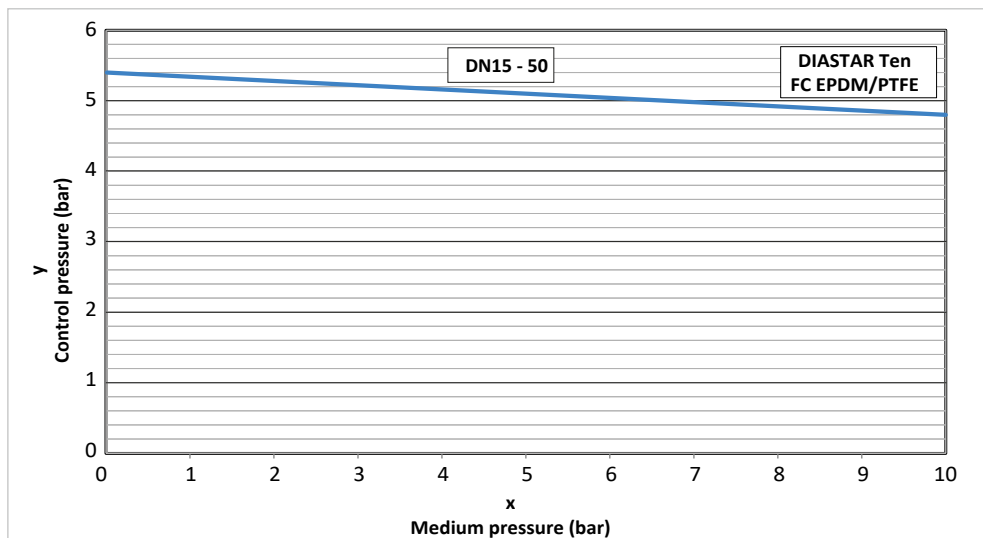
3.7.7 Diagrammes de pression de commande

DIASTAR Six FC avec membrane EPDM*



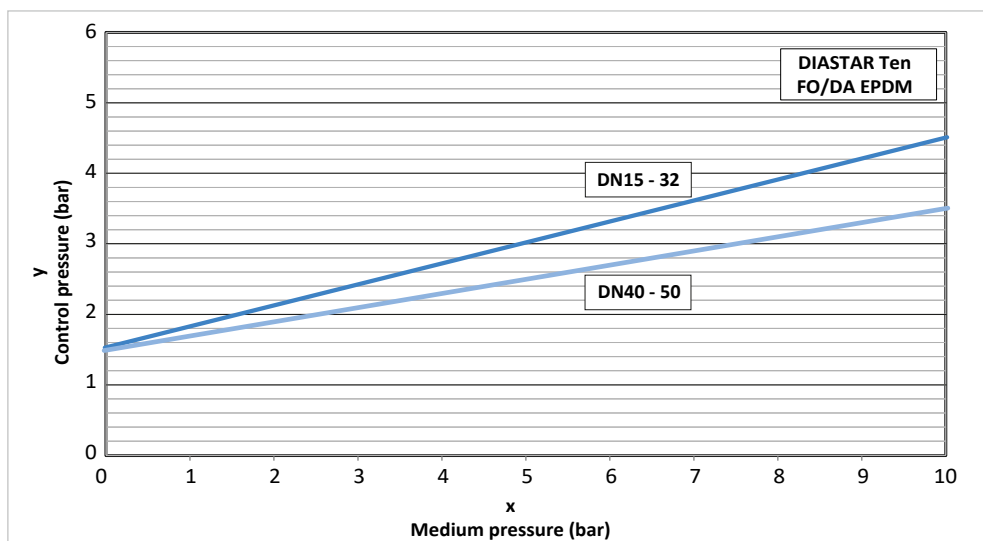
x Pression de fluide
y Pression de commande

DIASTAR Ten FC avec membrane EPDM* ou PTFE



x Pression de fluide
y Pression de commande

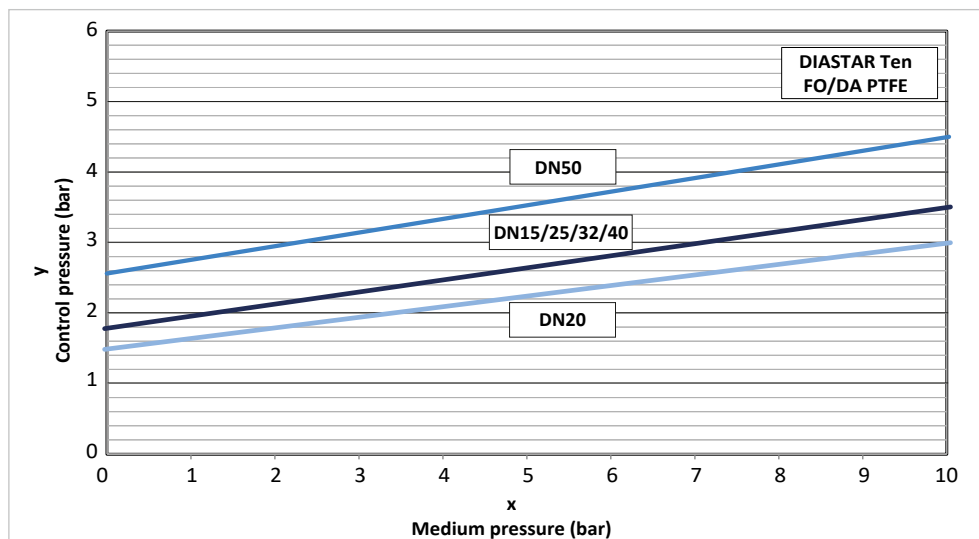
DIASTAR Ten FO et DA avec membrane EPDM*



x Pression de fluide
y Pression de commande

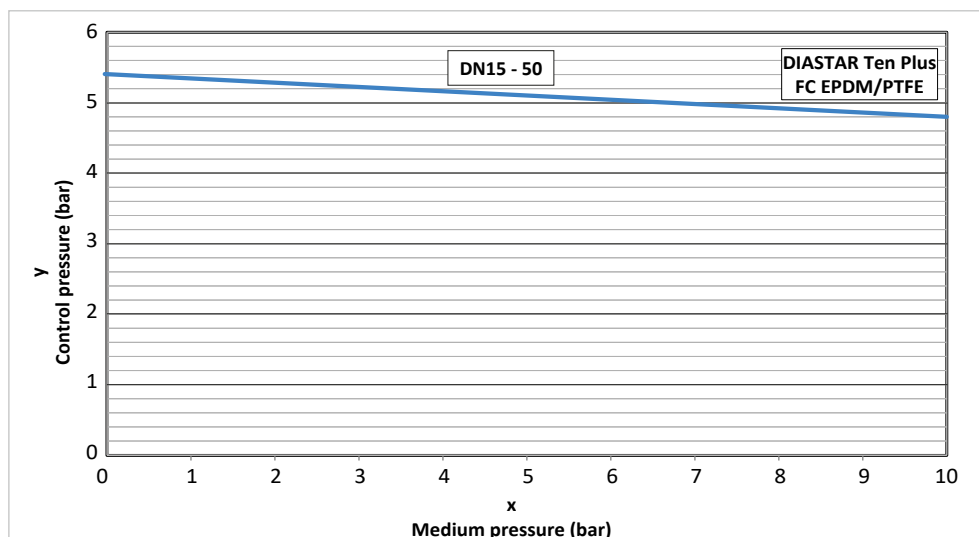
* S'applique également à d'autres membranes en élastomère telles que FKM, NBR, etc.

DIASTAR Ten FO et DA avec membrane PTFE



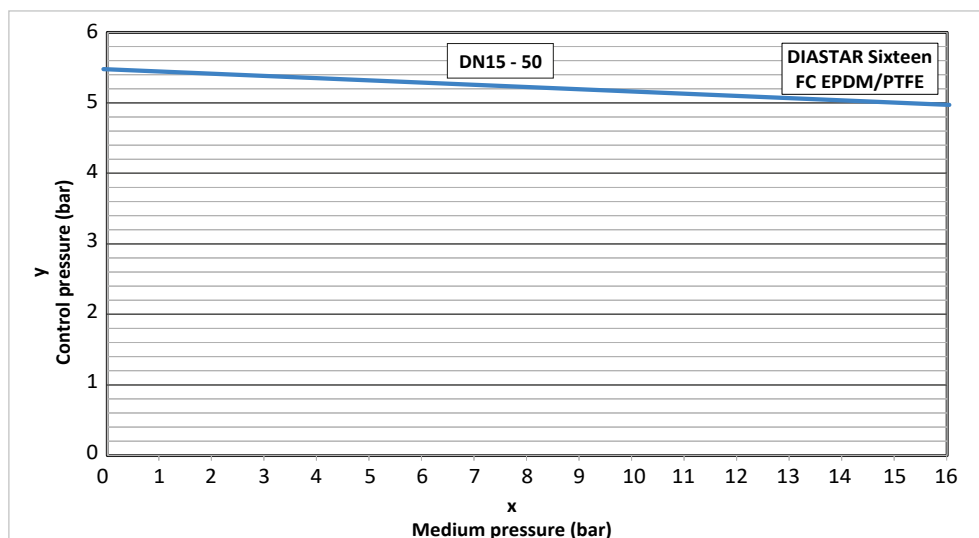
x Pression de fluide
y Pression de commande

DIASTAR TenPlus FC avec membrane EPDM* ou PTFE



x Pression de fluide
y Pression de commande

DIASTAR Sixteen FC avec membrane EPDM* ou PTFE



x Pression de fluide
y Pression de commande

* S'applique également à d'autres membranes en élastomère telles que FKM, NBR, etc.

3.7.8 Valeurs Kv 100

Type 514 – 517

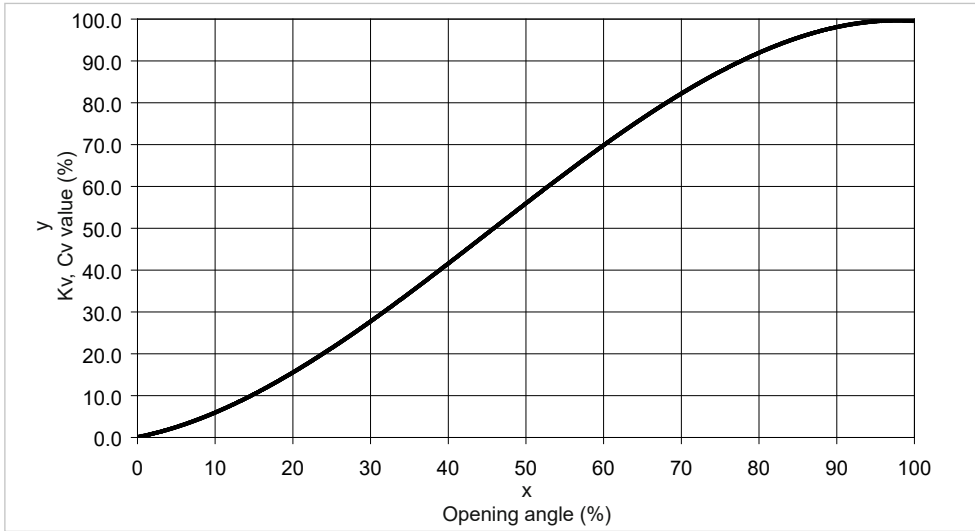
d (mm)	DN (mm)	Pouce (")	Kv 100 (l/min)	Cv 100 (US gal./min)	kv 100 (m ³ /h)
20	15	½	125	9	8
25	20	¾	271	19	16
32	25	1	481	33	29
40	32	1 ¼	759	52	45
50	40	1 ½	1263	87	76
63	50	2	1728	119	104

Type 519

d (mm)	DN (mm)	Pouce (")	Kv 100 (l/min)	Cv 100 (US gal./min)	kv 100 (m ³ /h)
20	15	½	57	4	3
25	20	¾	89	6	5
25	20	¾	118	8	7
32	25	1	80	6	5
32	25	1	105	7	6
32	25	1	231	16	14
40	32	1 ¼	85	6	5
40	32	1 ¼	119	8	7
40	32	1 ¼	153	11	9
40	32	1 ¼	187	13	11
50	40	1 ½	86	6	5
50	40	1 ½	160	11	10
50	40	1 ½	206	14	12
50	40	1 ½	524	36	31
50	40	1 ½	667	46	40
63	50	2	84	6	5
63	50	2	150	11	9
63	50	2	184	13	11
63	50	2	471	32	28
63	50	2	610	42	37
63	50	2	747	52	45
90	80	3	82	6	5
90	80	3	103	7	6
90	80	3	129	9	8
90	80	3	623	43	37
90	80	3	696	48	42
110	100	4	78	5	4
110	100	4	103	7	6
110	100	4	131	9	8
110	100	4	604	42	36
110	100	4	661	46	40
140	125	5	146	10	9
140	125	5	382	26	23
140	125	5	440	30	26
140	125	5	502	35	30
160	150	6	139	10	8
160	150	6	382	26	23
160	150	6	436	30	26
160	150	6	498	34	30

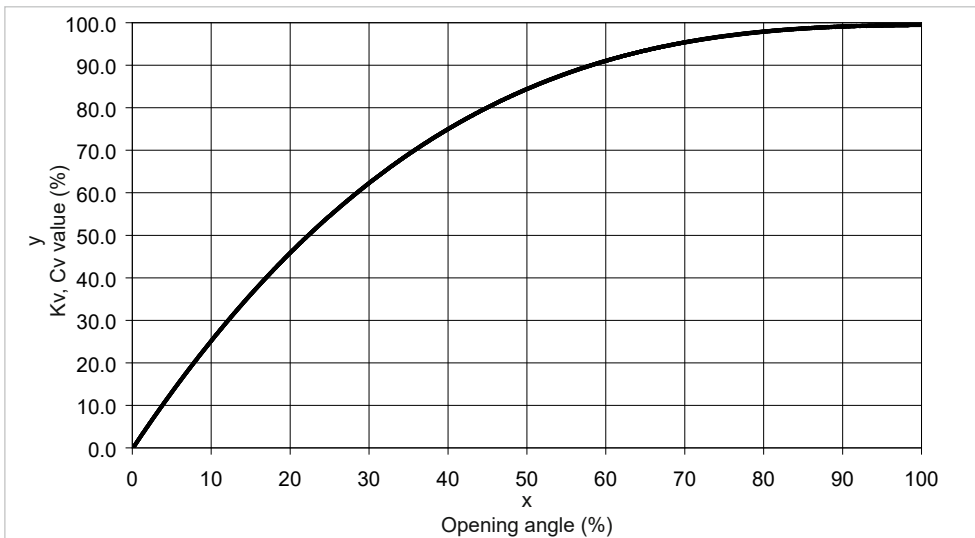
3.7.9 Débit d'écoulement

Courbe caractéristique type 514-517



x Angle d'ouverture (%)
y Valeur kv, Cv (%)

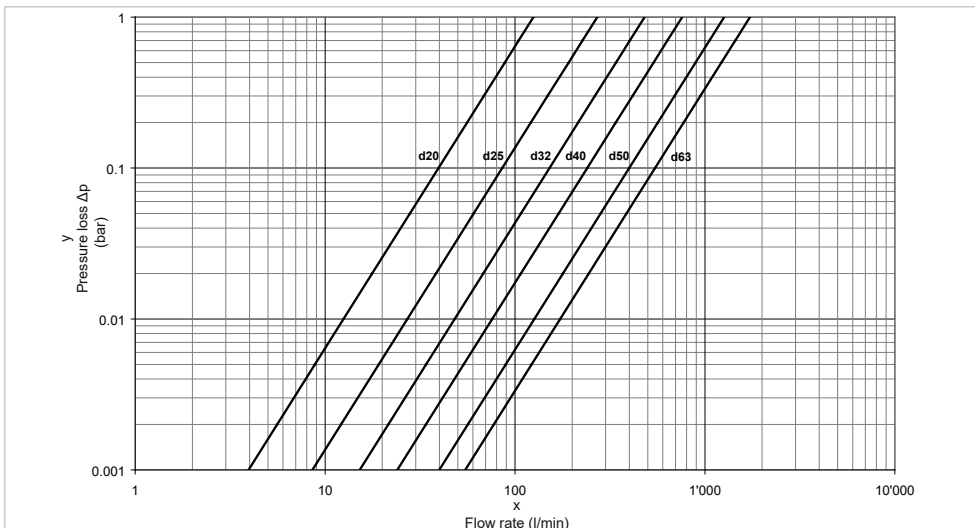
Courbe caractéristique type 519



x Angle d'ouverture (%)
y Valeur kv, Cv (%)

3.7.10 Pertes de pression

Type 514 - 517



x Débit d'écoulement (l/min)
y Perte de pression Δp (bar)

4 Installation

4.1 Préparatifs

DANGER !

Vanne inappropriée pour l'application !

La vanne possède des propriétés, dimensions de montage et raccords spécifiques. L'utilisation d'une vanne inappropriée pour l'application constitue un risque de dommages corporels et matériels ainsi qu'un danger pour l'environnement.

- ▶ Vérifier la compatibilité des matériaux du robinet avec le fluide.
- ▶ Le dimensionnement de la vanne figurant sur la plaque signalétique doit correspondre aux dimensions du système de tuyauterie.
- ▶ S'assurer que la classe de pression, le type de raccordement et les dimensions de raccordement correspondent aux conditions d'utilisation.

DANGER !

Sortie incontrôlée du fluide !

Si la pression n'a pas été complètement relâchée dans le système de tuyauterie, le fluide peut s'échapper de manière incontrôlée. Risque de blessure selon la nature du fluide.

- ▶ Relâcher complètement la pression dans le tuyau avant d'ouvrir.
- ▶ Dans le cas de fluides toxiques, inflammables, chauds ou explosifs, vidanger et rincer totalement le tuyau avant le démontage. Attention aux éventuels résidus.
- ▶ Assurer une collecte sécurisée du fluide à l'aide de mesures appropriées (par ex. raccordement du bac collecteur).
- ▶ Vider la vanne en position verticale et semi-ouverte, collecter le fluide.
- ▶ Des résidus de fluides dangereux peuvent rester dans la vanne malgré la vidange.
- ▶ Porter un équipement de protection individuelle approprié.

REMARQUE !

Stockage et transport non conformes !

Une mauvaise manipulation peut altérer les propriétés fonctionnelles et la qualité du produit.

- ▶ Transporter et stocker le produit dans son emballage d'origine.
- ▶ Protéger le produit d'agressions physiques telles que la lumière, la poussière, la chaleur, l'humidité, les rayonnements UV et les impacts mécaniques.
- ▶ Stocker le produit en position ouverte (état de livraison).
- ▶ Inspecter le produit avant l'installation à la recherche d'éventuels dommages.
- ▶ Sortir le produit de son emballage d'origine juste avant son installation.
- ▶ Les vannes présentant des dysfonctionnements visibles ne doivent pas être installées.

4.2 Procédure d'installation

- ▶ Toujours installer la vanne en position ouverte.

DANGER !

Utilisation de fluides dangereux ou non autorisés !

Les fluides chauds ou chimiquement agressifs non autorisés peuvent attaquer les matériaux, provoquer des dommages corporels et constituer un danger pour l'environnement.

Les composants qui ne sont pas en contact avec le fluide sont exposés en cas de fuites à l'intérieur du robinet.

- ▶ Respecter les fiches techniques de sécurité ou les règles de sécurité applicables aux fluides utilisés.
- ▶ Vérifier la compatibilité des matériaux du robinet avec le fluide.
- ▶ Ne pas utiliser de fluides non autorisés.
- ▶ Inspecter régulièrement le robinet à la recherche de traces d'usure, le cas échéant procéder à une maintenance.
- ▶ Porter un équipement de protection individuelle approprié.
- ▶ En cas de fluides chauds : intervenir uniquement sur une installation refroidie.
- ▶ En cas de doute concernant les fluides autorisés, contacter la société de distribution Georg Fischer Piping Systems.

ATTENTION !

Forces de dilatation thermique sur le système de tuyauterie !

Si la dilatation thermique ne peut avoir lieu en raison de changements de température, des forces linéaires et de flexion apparaissent. Risque d'endommagement du système de tuyauterie et de la vanne.

- ▶ S'assurer que les forces sont absorbées par les points fixes situés à l'avant et à l'arrière de la vanne.

ATTENTION !

Tuyau non aligné !

Risque de dommages corporels et/ou matériels liés à des défauts d'étanchéité du système de tuyauterie imputables à des forces de tension.

- ▶ S'assurer que la vanne et le tuyau sont alignés l'un par rapport à l'autre.

4.2.1 Vanne à montage et démontage radiaux

Tous les matériaux avec corps de vanne type 514

12. Desserrer les écrous d'accouplement et les pousser sur les extrémités de tuyau prévues.
13. En fonction du modèle, coller, visser ou souder les pièces de raccordement sur les extrémités des tuyaux (la procédure est décrite dans les « Bases de planification Georg Fischer pour l'industrie Raccordements collés/soudés).
14. Placer le robinet à membrane entre les pièces de raccordement.
15. Serrer les écrous d'accouplement à la main.

AVERTISSEMENT !

Serrer les écrous d'accouplement jusqu'à DN50 uniquement à la main !

Risque de blessure et/ou de dommages matériels dus à des sorties de liquides provoquées par des écrous d'accouplement trop serrés ou défectueux.

- ▶ Serrer les écrous d'accouplement jusqu'à DN50 uniquement à la main, sans outil auxiliaire.
- ▶ Serrer les écrous d'accouplement à partir de DN50 à l'aide d'une clé à sangle selon le couple de serrage spécifié dans la documentation technique.

4.2.2 Joint collé

PVC-U, PVC-C et ABS – avec corps de vanne types 514, 515

Assembler uniquement des matériaux identiques entre eux. Après un temps de durcissement, rincer la section de tuyauterie à l'eau sans pression (voir le chapitre « Techniques d'assemblage » dans les « Bases de planification Georg Fischer pour l'industrie »).

AVERTISSEMENT !

Raccordement de matériaux incompatibles !

Risque de dommages corporels et/ou matériels liés à des défauts d'étanchéité du système de tuyauterie imputables à des raccordements de différents matériaux incompatibles entre eux.

- ▶ Seuls des matériaux identiques peuvent être assemblés au moyen de joints soudés et collés.
- ▶ Les sections de tuyaux avec des joints collés doivent être rincées à l'eau sans pression, immédiatement après la réalisation des joints.

4.2.3 Joint soudé

PP-H, PP-N, PVDF, PVDF-HP – avec corps de vanne types 514, 515, 519

Assembler uniquement des matériaux identiques entre eux (voir le chapitre « Techniques d'assemblage » dans les « Bases de planification Georg Fischer pour l'industrie »).

AVERTISSEMENT !

Raccordement de matériaux incompatibles !

Risque de dommages corporels et/ou matériels liés à des défauts d'étanchéité du système de tuyauterie imputables à des raccordements de différents matériaux incompatibles entre eux.

- ▶ Seuls des matériaux identiques peuvent être assemblés au moyen de joints soudés et collés.

4.2.4 Assemblage à brides

Tous les matériaux avec corps de vanne type 517

Pour les couples de serrage des vis, se reporter aux chapitres correspondants des « Bases de planification Georg Fischer pour l'industrie ».

ATTENTION !

Assemblages à brides non étanches !

Risque de blessure et/ou de dommages matériels lié à des défauts d'étanchéité dans le système de tuyauterie.

- ▶ Vérifier périodiquement l'absence de fuite de fluide.
- ▶ Si du fluide s'échappe au niveau des assemblages à brides, les resserrer.

ATTENTION !

Surfaces d'étanchéité souillées !

Risque de blessure en cas de contact avec le fluide dû à des raccordements non étanches.

- ▶ Protéger les surfaces d'étanchéité et les pièces de raccordement de tout dommage et des impuretés, en particulier des particules dures ou à arêtes vives.

4.3 Modification de la position des raccords pour la pression de commande

Les raccords pour la pression de commande peuvent être positionnés par pas de 90° pour les aligner de manière optimale sur le système de tuyauterie.

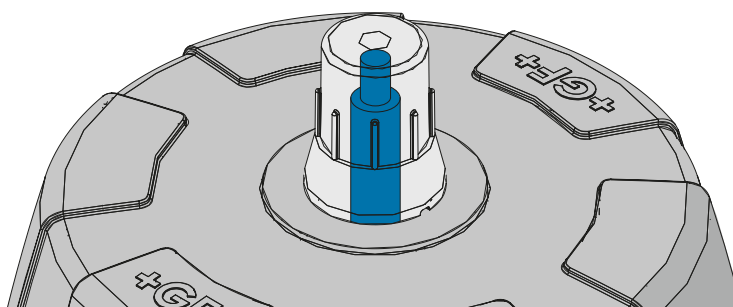
DANGER !

Sortie incontrôlée du fluide !

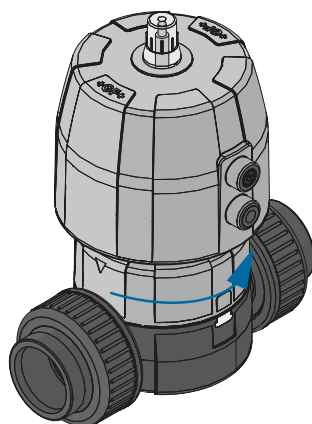
Si la pression n'a pas été complètement relâchée dans le système de tuyauterie, le fluide peut s'échapper de manière incontrôlée. Risque de blessure selon la nature du fluide.

- ▶ Relâcher complètement la pression dans le tuyau avant d'ouvrir.
- ▶ Dans le cas de fluides toxiques, inflammables, chauds ou explosifs, vidanger et rincer totalement le tuyau avant le démontage. Attention aux éventuels résidus.
- ▶ Assurer une collecte sécurisée du fluide à l'aide de mesures appropriées (par ex. raccordement du bac collecteur).
- ▶ Vider la vanne en position verticale et semi-ouverte, collecter le fluide.
- ▶ Des résidus de fluides dangereux peuvent rester dans la vanne malgré la vidange.
- ▶ Porter un équipement de protection individuelle approprié.

1. S'assurer que le robinet à membrane est intégralement vidé et hors pression. Les capteurs de niveau de remplissage et les capteurs de pression indiquent « 0 ».
2. Mettre le servomécanisme en Position « OUVERT ». L'indication de position est située en haut.



3. Visser l'écrou de boîtier à l'aide d'une clé à sangle.



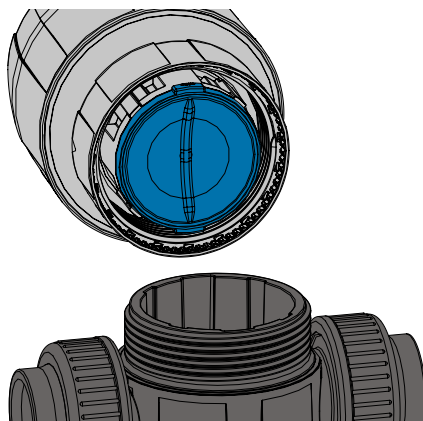
ATTENTION !

Outil inapproprié pour écrou de boîtier !

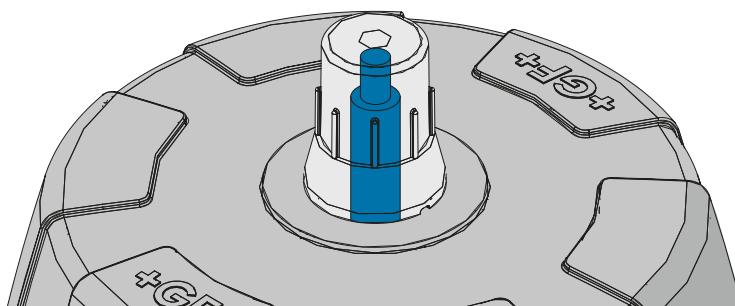
Un outil incompatible peut endommager l'écrou de boîtier. Une éventuelle fuite de fluide peut entraîner des dommages corporels et matériels.

- ▶ Utiliser exclusivement une clé à sangle ou une clé à griffe pour ouvrir et fermer l'écrou de boîtier.

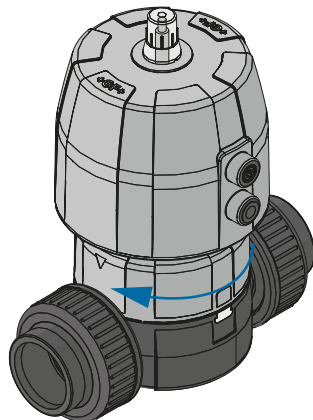
4. Tourner le servomécanisme de 90°.
5. Aligner la membrane parallèlement à la pièce de compression. Positionner les oreilles de la membrane exactement entre les pièces de guidage étroites du boîtier intérieur. Conseil : il est plus facile d'aligner la membrane en « Position FERMÉE ».



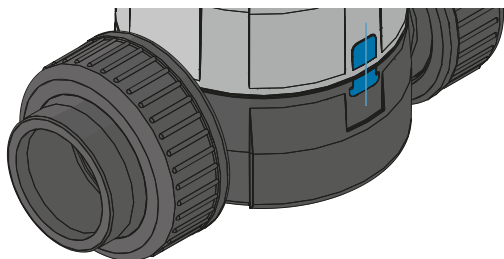
6. Le cas échéant, mettre le servomécanisme en Position « OUVERT ». L'indication de position est située en haut.



7. Placer le servomécanisme sur le corps de vanne et serrer l'écrou de boîtier à la main. La membrane est centrée.



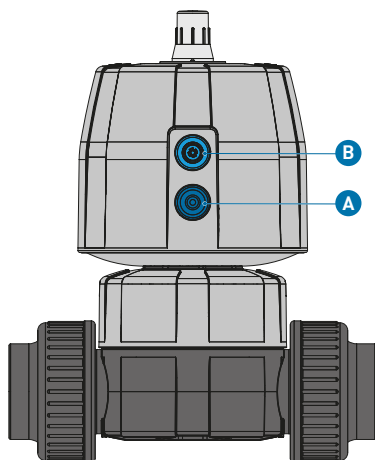
8. Serrer fermement l'écrou de boîtier à l'aide d'une clé à sangle/d'un outil spécial jusqu'à...
 - obtenir un interstice de 0,5 mm à 1 mm entre le corps de vanne et l'écrou de boîtier...
 - et un alignement du repère d'alignement de l'écrou du boîtier avec l'Verrou à friction.



Remarque : pour les vannes avec limiteur de course intégré, il est recommandé de réajuster la vanne après l'assemblage.

4.4 Raccordement de la pression de commande

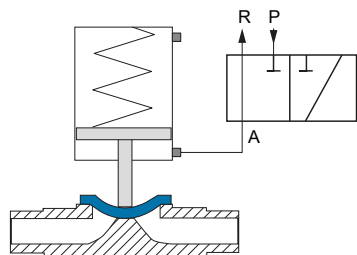
	FC	FO	DA
B	FERMER	X	X
A	OUVRIR	X	X



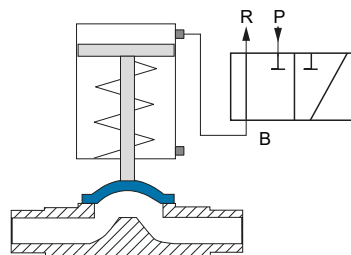
Raccord d'air de commande
T 1/8" ou T 1/4"

4.4.1 Robinet à membrane avec fonction FC/FO

Robinet à membrane avec fonction FC

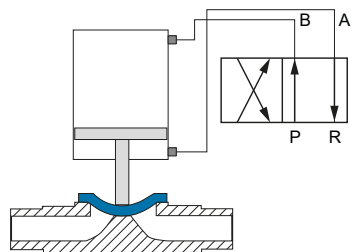


Robinet à membrane avec fonction FO



- ▶ Utiliser des vannes pilote 3/2 voies (par ex. PV94 ou MNL532).
- ▶ Connecter la pression de commande directement au servomécanisme via une vis creuse ou à distance via des plaques de raccordement multiple ou des terminaux de vanne, selon les besoins.

4.4.2 Robinet à membrane avec fonction DA



- ▶ Utiliser des vannes pilote 4/2 ou 5/2 voies (par ex. MNL532 ou 5470).
- ▶ Connecter la pression de commande directement au servomécanisme via une plaque de raccordement Namur ou à distance via des terminaux de vanne, selon les besoins.

5 Mise en service

5.1 Préparatifs

1. Vérifier le fonctionnement : fermer la vanne et rouvrir.
2. Rincer le système de tuyauterie.

5.2 Test de pression

Les tests de pression des vannes et ceux du système de tuyauterie sont soumis aux mêmes instructions (voir chapitre « Traitement et pose » dans les « Bases de planification Georg Fischer pour l'industrie »).

1. S'assurer que toutes les vannes sont dans la bonne position (ouverte ou fermée).
2. À partir d'une pression de fluide de 10 bar, réduire l'air d'échappement du fluide de commande et régler le temps de manœuvre du servomécanisme à environ 3 s.
3. Remplir le système de tuyauterie avec du fluide d'essai et le purger minutieusement.
4. Augmenter la pression d'essai.
5. Vérifier l'étanchéité des vannes et raccords pendant le test de pression.
6. Après un test d'étanchéité réussi, évacuer le fluide de test.
7. Consigner les résultats par écrit.

DANGER !

Système de tuyauterie non étanche !

Des raccords non étanches peuvent entraîner des fuites de fluides ainsi que des dommages corporels, matériels et pour l'environnement.

- ▶ Avant la mise en service, vérifier l'étanchéité des raccords.
- ▶ Vérifier périodiquement l'absence de fuite de fluide.
- ▶ Porter un équipement de protection approprié.

DANGER !

Pression trop élevée !

Le dépassement de la pression maximale admissible peut endommager le système de tuyauterie, provoquer des fuites de fluide et causer des dommages corporels, matériels ainsi que pour l'environnement.

- ▶ Le composant présentant la valeur PN la plus faible dans le système de tuyauteries détermine la pression d'essai maximale autorisée dans la section de conduite.
- ▶ Prendre des mesures pour éviter des chocs de pression.
- ▶ Porter un équipement de protection individuelle approprié.

ATTENTION !

Pression de test maximale admissible !

Pour le test de pression des vannes en position ouverte, les mêmes instructions que pour le système de tuyauterie s'appliquent (max. 1,5 x PN, und max. PN + 5 bar), mais la pression de test en position de vanne fermée ne doit pas dépasser max. 1,1 x PN.

- ▶ Pour des informations détaillées, voir les principes de base de la planification Georg Fischer.
- ▶ Après un test de pression réussi : Retirez le moyen de test.
- ▶ Enregistrez les résultats.

6 Mode de fonctionnement normal

6.1 Mesures pendant le fonctionnement

DANGER !

Utilisation de fluides dangereux ou non autorisés !

Les fluides chauds ou chimiquement agressifs non autorisés peuvent attaquer les matériaux, provoquer des dommages corporels et constituer un danger pour l'environnement.

Les composants qui ne sont pas en contact avec le fluide sont exposés en cas de fuites à l'intérieur du robinet.

- ▶ Respecter les fiches techniques de sécurité ou les règles de sécurité applicables aux fluides utilisés.
- ▶ Vérifier la compatibilité des matériaux du robinet avec le fluide.
- ▶ Ne pas utiliser de fluides non autorisés.
- ▶ Inspecter régulièrement le robinet à la recherche de traces d'usure, le cas échéant procéder à une maintenance.
- ▶ Porter un équipement de protection individuelle approprié.
- ▶ En cas de fluides chauds : intervenir uniquement sur une installation refroidie.
- ▶ En cas de doute concernant les fluides autorisés, contacter la société de distribution Georg Fischer Piping Systems.

DANGER !

Utilisation de fluides dangereux ou diffusibles !

Les fluides chauds ou chimiquement très agressifs peuvent attaquer les matériaux, provoquer des dommages corporels et constituer un danger pour l'environnement. Les composants qui ne sont pas en contact avec le fluide sont exposés en cas de fuites et de diffusion, d'où un possible éclatement de l'écrou de boîtier.

- ▶ Pour les applications avec des médias dangereux et diffusants, il est recommandé de contacter le représentant GF responsable.
- ▶ Il est recommandé de procéder régulièrement à une inspection visuelle de tous les composants de la vanne à diaphragme. À cette fin, la vanne doit être entièrement vidangée, désinstallée et démontée.
- ▶ Portez un équipement de protection approprié.

DANGER !

Fonctionnement de la vanne en tant que vanne terminale en présence de fluides dangereux !

L'utilisation du robinet comme vanne terminale peut entraîner une sortie incontrôlée de fluides agressifs ainsi que des dommages corporels, matériels et pour l'environnement.

- ▶ Mettre le système de tuyauterie hors pression avant d'ouvrir la vanne.
- ▶ Ouvrir le robinet comme vanne d'extrémité exclusivement si le fluide peut être recueilli et dérivé en toute sécurité.
- ▶ Porter un équipement de protection approprié.

DANGER !

Système de tuyauterie non étanche !

Des raccords non étanches peuvent entraîner des fuites de fluides ainsi que des dommages corporels, matériels et pour l'environnement.

- ▶ Avant la mise en service, vérifier l'étanchéité des raccords.
- ▶ Vérifier périodiquement l'absence de fuite de fluide.
- ▶ Porter un équipement de protection approprié.

REMARQUE !

Éviter une cavitation !

La cavitation peut endommager des composants du robinet à membrane.

- ▶ Utiliser la vanne exclusivement en mode de réglage optimal.

REMARQUE !

Coincement de la vanne !

Risque de coincement des vannes opérant toujours dans la même position.

- ▶ Les actionner au moins 1 à 2 fois par an pour vérifier le bon fonctionnement.

7 Maintenance

7.1 Plan de maintenance

Intervalle	Opération de maintenance
Opérations régulières	▶ Vérifier l'étanchéité de la connexion entre la partie supérieure et le corps de vanne.
1 à 2 fois par an	▶ Actionner les robinets à membrane habituellement dans la même position ouverte ou fermée pour vérifier leur bon fonctionnement.
100 000 actionnements pour	▶ Inspection visuelle du corps de vanne.
• DIASTAR Ten/TenPlus : à une pression nominale inférieure à 10 bar, à 20 °C et avec de l'eau	▶ Démontez le servomécanisme et vérifiez si la membrane est endommagée.
• DIASTAR Six : à une pression nominale inférieure à 6 bar, à 20 °C et avec de l'eau	▶ Le cas échéant, remplacez une membrane endommagée*.
50 000 actionnements à	▶ Inspection visuelle du corps de vanne.
• une pression nominale supérieure à 10 bar, à 20 °C et avec de l'eau	▶ Démontez le servomécanisme et vérifiez si la membrane est endommagée.
• DIASTAR Sixteen	▶ Le cas échéant, remplacez une membrane endommagée*.

* Les membranes en PTFE (PTFE/EPDM ; PTFE/FKM) doivent toujours être remplacées après démontage.

- ▶ En cas de conditions d'utilisation divergentes (par ex. températures plus élevées, fluides à effet abrasif), des contrôles plus fréquents sont recommandés.

AVERTISSEMENT !

Contrôle régulier de l'usure !

Des composants au contact du fluide sont exposés à une usure. Une maintenance plus fréquente est requise en cas de mouvements de réglage fréquents ou d'utilisation de fluides chimiquement agressifs ou contaminés.

- ▶ De manière régulière, inspectez visuellement la vanne et en contrôlez son fonctionnement compte tenu des conditions d'utilisation et des risques encourus dans le but de prévenir des fuites et des dommages.
- ▶ À intervalles réguliers, démontez et inspectez l'intérieur de la vanne à la recherche de traces d'usures.
- ▶ Adaptez la fréquence de maintenance aux conditions d'utilisation et aux sollicitations qui en résultent pour la vanne.
- ▶ Remplacez immédiatement des composants usés de l'intérieur de la vanne.
- ▶ Portez un équipement de protection individuelle approprié.

AVERTISSEMENT !

Joint non étanches !

Risque de blessure dû à une fuite de fluide causée par des joints endommagés, vieillissants ou mal lubrifiés.

- ▶ Dans la mesure du possible, stockez les joints dans un endroit frais (à température ambiante), sec et sombre.
- ▶ Avant le montage, inspectez les joints à la recherche d'altérations, comme des fissures et des durcissements.
- ▶ Vérifiez régulièrement l'absence de dommages et remplacez les joints si nécessaire.
- ▶ Lubrifiez les joints avec de la graisse à base de silicone ou de polysiloxane. Ne pas utiliser de lubrifiant à base d'huile minérale ou de vaseline (pétrolatum).
- ▶ Respectez les consignes spécifiques du fabricant pour assurer l'absence de silicone sur les vannes (nettoyage de silicone).

DANGER !

Ne pas lubrifier l'écrou de boîtier !

L'utilisation de lubrifiants peut provoquer des fissures de contrainte sur le corps de vanne, notamment avec les plastiques amorphes. Risque de contact avec un fluide dangereux. Le bon fonctionnement de la vanne ne serait plus garanti dans ce cas.

- ▶ Ne pas utiliser de lubrifiant au niveau des raccords filetés entre l'écrou du boîtier et le corps de vanne.

7.2 Dépose et démontage

DANGER !

Sortie incontrôlée du fluide !

Si la pression n'a pas été complètement relâchée dans le système de tuyauterie, le fluide peut s'échapper de manière incontrôlée. Risque de blessure selon la nature du fluide.

- ▶ Relâcher complètement la pression dans le tuyau avant d'ouvrir.
- ▶ Dans le cas de fluides toxiques, inflammables, chauds ou explosifs, vidanger et rincer totalement le tuyau avant le démontage. Attention aux éventuels résidus.
- ▶ Assurer une collecte sécurisée du fluide à l'aide de mesures appropriées (par ex. raccordement du bac collecteur).
- ▶ Vider la vanne en position verticale et semi-ouverte, collecter le fluide.
- ▶ Des résidus de fluides dangereux peuvent rester dans la vanne malgré la vidange.
- ▶ Porter un équipement de protection individuelle approprié.

DANGER !

Utilisation de fluides dangereux ou non autorisés !

Les fluides chauds ou chimiquement agressifs non autorisés peuvent attaquer les matériaux, provoquer des dommages corporels et constituer un danger pour l'environnement.

Les composants qui ne sont pas en contact avec le fluide sont exposés en cas de fuites à l'intérieur du robinet.

- ▶ Respecter les fiches techniques de sécurité ou les règles de sécurité applicables aux fluides utilisés.
- ▶ Vérifier la compatibilité des matériaux du robinet avec le fluide.
- ▶ Ne pas utiliser de fluides non autorisés.
- ▶ Inspecter régulièrement le robinet à la recherche de traces d'usure, le cas échéant procéder à une maintenance.
- ▶ Porter un équipement de protection individuelle approprié.
- ▶ En cas de fluides chauds : intervenir uniquement sur une installation refroidie.
- ▶ En cas de doute concernant les fluides autorisés, contacter la société de distribution Georg Fischer Piping Systems.

7.3 Remplacement de la membrane

La fréquence de changement de membrane dépend du nombre de cycles de réglage et du fluide utilisé. Pour contrôler la membrane, procéder au démontage conforme de la partie supérieure.

REMARQUE !

La membrane est une pièce d'usure !

En cas d'utilisation intensive, la membrane est soumise à une usure accrue et doit être remplacée plus souvent. Risque de dommages corporels et matériels. en présence d'une membrane usée ou non étanche.

- ▶ Contrôler régulièrement la membrane et les joints selon l'intensité de fonctionnement et les remplacer si nécessaire.
- ▶ Utiliser exclusivement des membranes compatibles avec la vanne, conformément à la plaque signalétique.

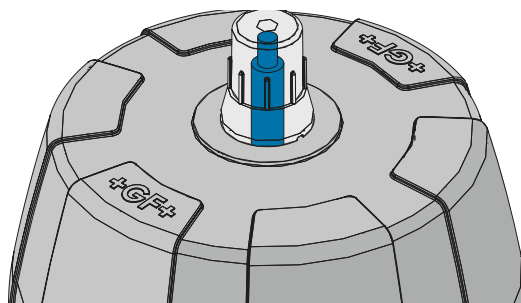
ATTENTION !

Remplacer le jeu complet de membrane !

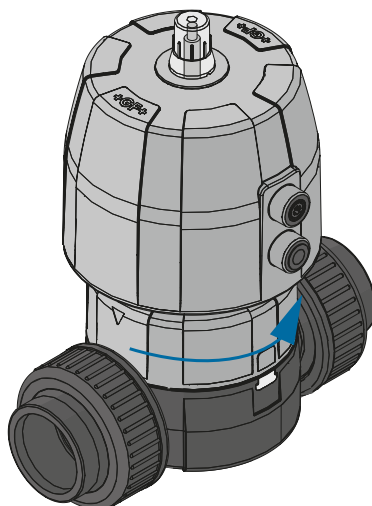
Si des membranes en PTFE sont utilisées avec des membranes en EPDM ou FKM, remplacer les deux membranes.

- ▶ S'assurer que les deux membranes sont remplacées.

1. Mettre la conduite hors pression et la vider. S'assurer que le robinet à membrane est intégralement vidé et hors pression. Les capteurs de niveau de remplissage et les capteurs de pression indiquent « 0 ».
2. Mettre le servomécanisme en Position « OUVERT ». L'indication de position est située en haut.



3. À l'aide d'une clé à sangle (disponible en option), dévisser avec précaution l'écrou de boîtier.



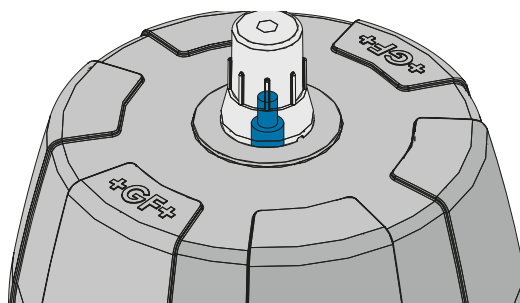
ATTENTION !

Outil inapproprié pour écrou de boîtier !

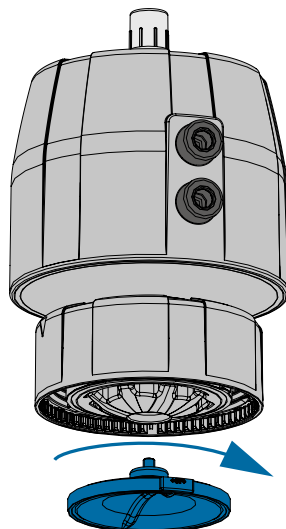
Un outil incompatible peut endommager l'écrou de boîtier. Une éventuelle fuite de fluide peut entraîner des dommages corporels et matériels.

- ▶ Utiliser exclusivement une clé à sangle ou une clé à griffe pour ouvrir et fermer l'écrou de boîtier.

4. Mettre le servomécanisme en Position « FERMÉ ».



5. Pour démonter la membrane du boîtier : tenir le servomécanisme et tourner la membrane dans le sens antihoraire.



6. Insérer la nouvelle membrane dans la même position que l'ancienne.
- ▶ Placer le servomécanisme en position verticale pendant les premières révolutions pour que le support de membrane puisse saisir la tige filetée de la membrane.
 - ▶ Visser la membrane à la main dans le sens horaire.
 - ▶ Tourner à nouveau la membrane de 90° minimum/360° maximum. Réaligner le renfort d'étanchéité de la membrane parallèlement à la pièce de compression. Positionner les oreilles de la membrane exactement entre les rainures de guidage du boîtier intérieur.

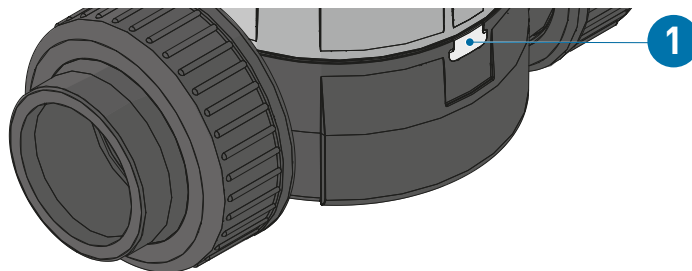
AVERTISSEMENT !

Vissage incorrect de la membrane !

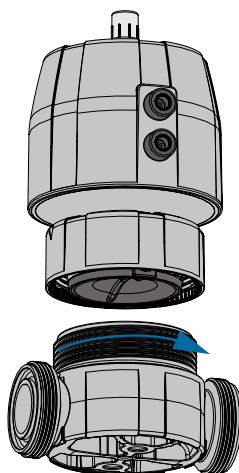
Risque de fuites et de dommages matériels si la membrane n'a pas été correctement vissée dans le boîtier interne comme indiqué. Le bon fonctionnement de la vanne n'est plus garanti dans ce cas.

- ▶ Visser la membrane correctement dans le boîtier intérieur.

7. En cas de changement de matériau de la membrane : desserrer et retirer l'Verrou à friction (1) sur le corps de vanne à l'aide d'un tournevis. Enfoncer un nouvel Verrou à friction.



8. Placer le servomécanisme avec l'écrou de boîtier sur le corps de vanne et le positionner : aligner le renfort traversant de la membrane parallèlement à la pièce de compression.



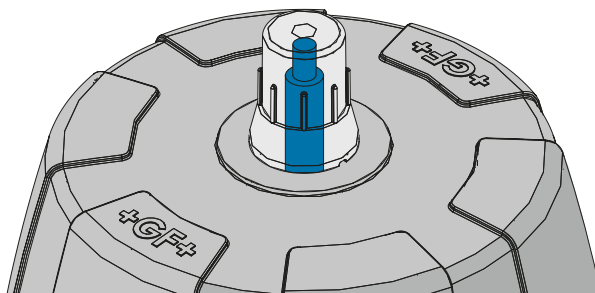
DANGER !

Ne pas lubrifier l'écrou de boîtier !

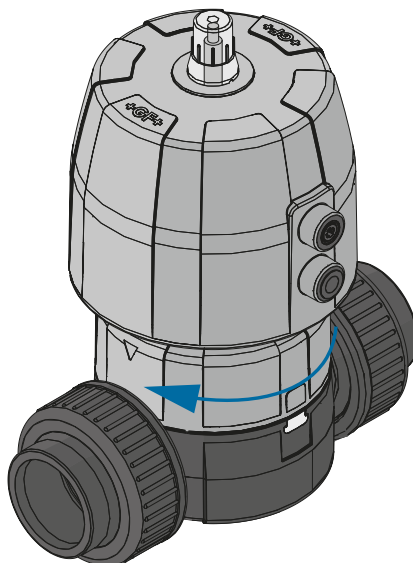
L'utilisation de lubrifiants peut provoquer des fissures de contrainte sur le corps de vanne, notamment avec les plastiques amorphes. Risque de contact avec un fluide dangereux. Le bon fonctionnement de la vanne ne serait plus garanti dans ce cas.

- Ne pas utiliser de lubrifiant au niveau des raccords filetés entre l'écrou du boîtier et le corps de vanne.

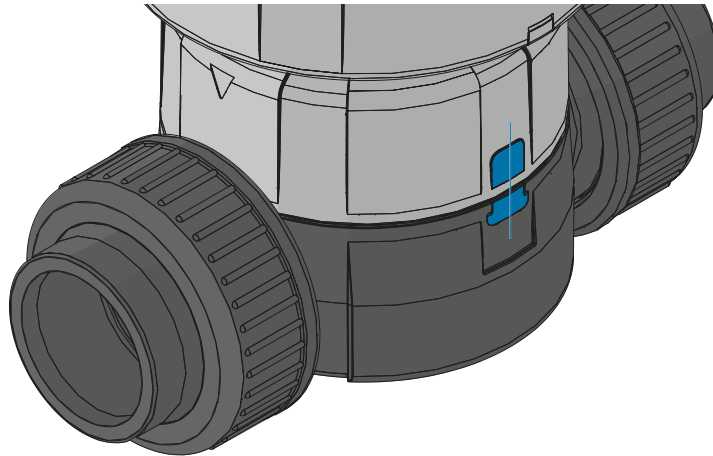
9. Mettre le servomécanisme en Position « OUVERT ». L'indication de position est située en haut.



10. Serrer l'écrou de boîtier à la main. La membrane est centrée.



11. Serrer fermement l'écrou de boîtier à l'aide d'une clé à sangle/d'un outil spécial jusqu'à...
- obtenir un interstice de 0,5 mm à 1 mm entre le corps de vanne et l'écrou de boîtier...
 - et un alignement du repère demi-rond de l'écrou du boîtier avec l'Verrou à friction du corps de vanne.



Remarque : pour les vannes avec limiteur de course intégré, il est recommandé de réajuster la vanne après l'assemblage.

8 Dépannage

Défaut	Cause possible	Dépannage
Fuite vers l'extérieur au niveau de l'assemblage à brides	Variation de température	▶ Resserrer le raccord et, le cas échéant, remplacer le joint.
	Joint défectueux	▶ Remplacer le joint.
Fuite vers l'extérieur au niveau de l'écrou d'accouplement	Raccord desserré de l'écrou d'accouplement et du corps de vanne	▶ Serrer le raccord à la main.
	Joint défectueux	▶ Remplacer le joint.
Fuite au niveau du raccord entre le corps de vanne et l'écrou de boîtier	L'écrou du boîtier n'est pas correctement serré	▶ Resserrer l'écrou de boîtier.
	Membrane usée	▶ Remplacer la membrane.
	Corps de vanne défectueux	▶ Inspecter le corps de vanne à la recherche de dommages et, le cas échéant, le remplacer.
	Montage/alignement incorrect de la membrane	▶ Vérifier que la membrane est correctement montée.
Fuite au niveau du siège/fuite traversante	Membrane usée	▶ Remplacer la membrane.
Fuite du fluide de commande due à une prise d'air non raccordée	Joints usés	▶ Remplacer les joints de pivot et de piston.
Fuite du fluide de commande au niveau de la purge d'air	Joints et membrane usés	▶ Remplacer les joints de pivot et de piston.
La vanne n'exerce pas la course spécifiée ou ne ferme pas/ne s'ouvre pas	Niveau de la pression de commande incorrect	▶ Vérifier la pression de commande.
	Le mode de fonctionnement et les raccords du fluide de commande ne concordent pas	▶ Vérifier les fonctions (FC, FO, DA) et les raccords correspondants.
	Conduite d'aération et de purge défectueuse	▶ Vérifier le fonctionnement de la conduite d'aération et de purge.
Le robinet à membrane ne s'ouvre pas complètement	Montage/alignement incorrect de la membrane	▶ Vérifier que la membrane est correctement montée.
Le robinet à membrane ne se ferme pas complètement	Pression trop élevée dans le système de tuyauterie	▶ Actionner la vanne exclusivement en conformité avec les données spécifiées.
	Corps étrangers entre la membrane et le corps de vanne	▶ Retirer les corps étrangers et vérifier si le corps de vanne et la membrane sont endommagés.
	Composants défectueux	▶ Vérifier si le corps de vanne et la membrane sont endommagés, les remplacer si nécessaire.
Actionnement grippé de la vanne	Pivot ou joints usés	▶ Remplacer les joints et, le cas échéant, des éléments fonctionnels.
Déformation ou dilatation du tuyau et/ou du robinet à membrane	Les forces du tuyau sont trop élevées	▶ Améliorer le support du tuyau.
Usure prématurée du robinet à membrane ou de différentes pièces	Le matériau n'est pas suffisamment résistant	▶ Sélectionner des matériaux appropriés, voir les « Bases de planification Georg Fischer pour l'industrie ».
	Fluide encrassé	▶ Vérifier/éliminer l'encrassement du fluide.

Usure prématurée de la membrane	Pression de commande trop élevée	▶ Sélectionner la pression de commande selon le diagramme de pression de commande correspondant.
	Le mode de fonctionnement et les raccords du fluide de commande ne concordent pas	▶ Vérifier les fonctions (FC, FO, DA) et les raccords correspondants.
	Le servomécanisme ne correspond pas à la pression du fluide	▶ Sélectionner un type de servomécanisme adapté.
	Roulette de purge encrassée	▶ Vérifier et nettoyer l'orifice de purge de la partie supérieure.
Décoloration blanche sur l'écrou du boîtier	Dommages chimiques	▶ Remplacer immédiatement la membrane et tous les composants usés conformément aux règles de sécurité spécifiées.

9 Accessoires et pièces de rechange

ATTENTION !

N'apporter aucune modification au produit !

Dégâts matériels et/ou risque de blessure possibles en cas de modification du produit ou de pièces de rechange non compatibles.

- ▶ Prévenir toute activation accidentelle de l'appareil ou de l'installation.
- ▶ Ne pas utiliser de pièces de rechange défectueuses.

ATTENTION !

Pièces de rechange inappropriées !

Utiliser exclusivement des pièces de rechange d'origine prévues pour le type de vanne et fournies par Georg Fischer Piping Systems.

- ▶ Utiliser exclusivement des pièces de rechange d'origine de Georg Fischer Piping Systems conformément aux indications de la plaquette signalétique.

9.1 Accessoires

- Dispositif de réponse électrique avec des commutateurs de type AgNi et Au
- Conversion en un boîtier résistant à la pression
- Clé à sangle
- Vannes pilote : types PV94/95, MNL532, 5470

10 Élimination

- ▶ Avant l'élimination, trier les différents matériaux et séparer les matériaux recyclables, les déchets normaux et les déchets spéciaux.
- ▶ En cas d'élimination ou de recyclage du produit, des composants individuels et de l'emballage, respecter les dispositions légales et décrets en vigueur.
- ▶ Respecter les prescriptions, normes et directives nationales spécifiques.

AVERTISSEMENT !

Composants contaminés !

Les pièces du produit peuvent être contaminées avec des fluides nocifs pour la santé et pour l'environnement, de sorte qu'un simple nettoyage n'est pas suffisant ! Risque de blessures corporelles et de dégâts environnementaux dus à ces substances. Avant l'élimination du produit :

- ▶ Collecter les fluides qui s'écoulent et les éliminer conformément aux dispositions locales.
- ▶ Consulter la fiche technique de sécurité des fluides utilisés.
- ▶ Neutraliser les éventuels résidus de fluide sur le produit.
- ▶ Trier les différents matériaux (plastiques, métaux, etc.) et les éliminer conformément aux dispositions locales.

A votre service dans le monde entier

Nos sociétés de vente et nos représentants assurent le support local aux clients dans plus de 100 pays.

www.gfps.com

Argentina / Southern South America

Georg Fischer Central Plastics Sudamérica S.R.L.
Buenos Aires / Argentina
Phone +54 11 4512 02 90
gfccentral.ps.ar@georgfischer.com
www.gfps.com/ar

Australia

Georg Fischer Pty Ltd
Riverwood NSW 2210
Phone +61 (0) 2 9502 8000
australia.ps@georgfischer.com
www.gfps.com/au

Austria

Georg Fischer Rohrleitungssysteme GmbH
3130 Herzogenburg
Phone +43 (0) 2782 856 43-0
austria.ps@georgfischer.com
www.gfps.com/at

Belgium / Luxembourg

Georg Fischer NV/SA
1600 Sint-Pieters-Leeuw / Belgium
Phone +32 (0) 2 556 40 20
Fax +32 (0) 2 524 34 26
be.ps@georgfischer.com
www.gfps.com/be

Brazil

Georg Fischer Sist. de Tub. Ltda.
04571-020 São Paulo/SP
Phone +55 (0) 11 5525 1311
br.ps@georgfischer.com
www.gfps.com/br

Canada

Georg Fischer Piping Systems Ltd
Mississauga, ON L5T 2B2
Phone +1 (905) 670 8005
Fax +1 (905) 670 8513
ca.ps@georgfischer.com
www.gfps.com/ca

China

Georg Fischer Piping Systems Ltd
Shanghai 201319
Phone +86 21 3899 3899
china.ps@georgfischer.com
www.gfps.com/cn

Denmark / Iceland

Georg Fischer A/S
2630 Taastrup / Denmark
Phone +45 (0) 70 22 19 75
info.dk.ps@georgfischer.com
www.gfps.com/dk

Finland

Georg Fischer AB
01510 Vantaa
Phone +358 (0) 9 586 58 25
Fax +358 (0) 9 586 58 29
info.fi.ps@georgfischer.com
www.gfps.com/fin

France

Georg Fischer SAS
95932 Roissy Charles de Gaulle Cedex
Phone +33 (0) 1 41 84 68 84
fr.ps@georgfischer.com
www.gfps.com/fr

Germany

Georg Fischer GmbH
73095 Albershausen
Phone +49 (0) 7161 302 0
info.de.ps@georgfischer.com
www.gfps.com/de

India

Georg Fischer Piping Systems Pvt. Ltd
400 083 Mumbai
Phone +91 22 4007 2000
Fax +91 22 4007 2020
branchoffice@georgfischer.com
www.gfps.com/in

Indonesia

PT Georg Fischer Indonesia
Karawang 41371, Jawa Barat
Phone +62 267 432 044
Fax +62 267 431 857
indonesia.ps@georgfischer.com
www.gfps.com/id

Italy

Georg Fischer S.p.A.
20864 Agrate Brianza (MB)
Phone +39 02 921 86 1
Fax +39 02 921 86 24 7
it.ps@georgfischer.com
www.gfps.com/it

Japan

Georg Fischer Ltd
530-0003 Osaka
Phone +81 (0) 6 6341 2451
jp.ps@georgfischer.com
www.gfps.com/jp

Korea

Georg Fischer Korea Co. Ltd
Unit 2501, U-Tower
120 Heungdeok Jungang-ro
(Yeongdeok-dong)
Giheung-gu, Yongin-si, Gyeonggi-do
Phone +82 31 8017 1450
Fax +82 31 217 1454
kor.ps@georgfischer.com
www.gfps.com/kr

Malaysia

George Fischer (M) Sdn. Bhd.
41200 Klang, Selangor Darul Ehsan
Phone +60 (0) 3 3122 5585
Fax +60 (0) 3 3122 5575
my.ps@georgfischer.com
www.gfps.com/my

Mexico / Northern Latin America

Georg Fischer S.A. de C.V.
CP 66603 Apodaca, Nuevo León / Mexico
Phone +52 (81) 1340 8586
Fax +52 (81) 1522 8906
mx.ps@georgfischer.com
www.gfps.com/mx

Middle East

Georg Fischer Piping Systems (Switzerland) Ltd
Dubai / United Arab Emirates
Phone +971 4 289 49 60
gcc.ps@georgfischer.com
www.gfps.com/int

Netherlands

Georg Fischer N.V.
8161 PA Epe
Phone +31 (0) 578 678 222
nl.ps@georgfischer.com
www.gfps.com/nl

New Zealand

Georg Fischer Ltd
5018 Upper Hutt
Phone +04 527 9813
Fax +04 527 9834
nz.ps@georgfischer.com
www.gfps.com/nz

Norway

Georg Fischer AS
1351 Rud
Phone +47 67 18 29 00
no.ps@georgfischer.com
www.gfps.com/no

Philippines

George Fischer Pte. Ltd.
Philippines Representative Office
1500 San Juan City
Phone +632 571 2365
Fax +632 571 2368
gpp.ps@georgfischer.com
www.gfps.com/sg

Poland

Georg Fischer Sp. z o.o.
05-090 Sekocin Nowy
Phone +48 (0) 22 31 31 0 50
poland.ps@georgfischer.com
www.gfps.com/pl

Romania

Georg Fischer Piping Systems (Switzerland) Ltd
020257 Bucharest - Sector 2
Phone +40 (0) 21 230 53 80
ro.ps@georgfischer.com
www.gfps.com/int

Russia

Georg Fischer Piping Systems (Switzerland) Ltd
Moscow 125040
Phone +7 495 748 11 44
ru.ps@georgfischer.com
www.gfps.com/ru

Singapore

Georg Fischer Pte Ltd
528 872 Singapore
Phone +65 6747 0611
Fax +65 6747 0577
gsp.ps@georgfischer.com
www.gfps.com/sg

Spain / Portugal

Georg Fischer S.A.
28046 Madrid / Spain
Phone +34 (0) 91 781 98 90
es.ps@georgfischer.com
www.gfps.com/es

Sweden

Georg Fischer AB
117 43 Stockholm
Phone +46 (0) 8 506 775 00
info.se.ps@georgfischer.com
www.gfps.com/se

Switzerland

Georg Fischer Rohrleitungssysteme (Schweiz) AG
8201 Schaffhausen
Phone +41 (0) 52 631 3026
ch.ps@georgfischer.com
www.gfps.com/ch

Taiwan

Georg Fischer Co. Ltd
San Chung Dist., New Taipei City
Phone +886 2 8512 2822
Fax +886 2 8512 2823
www.gfps.com/tw

United Kingdom / Ireland

George Fischer Sales Limited
Coventry, CV2 2ST / United Kingdom
Phone +44 (0) 2476 535 535
uk.ps@georgfischer.com
www.gfps.com/uk

USA / Caribbean

Georg Fischer LLC
92618 Irvine, CA / USA
Phone +1 714 731 8800
Fax +1 714 731 6201
us.ps@georgfischer.com
www.gfps.com/us

Vietnam

Georg Fischer Pte Ltd
Representative Office
Ho Chi Minh City
Phone +84 28 3948 4000
Fax +84 28 3948 4010
gsp.ps@georgfischer.com
www.gfps.com/vn

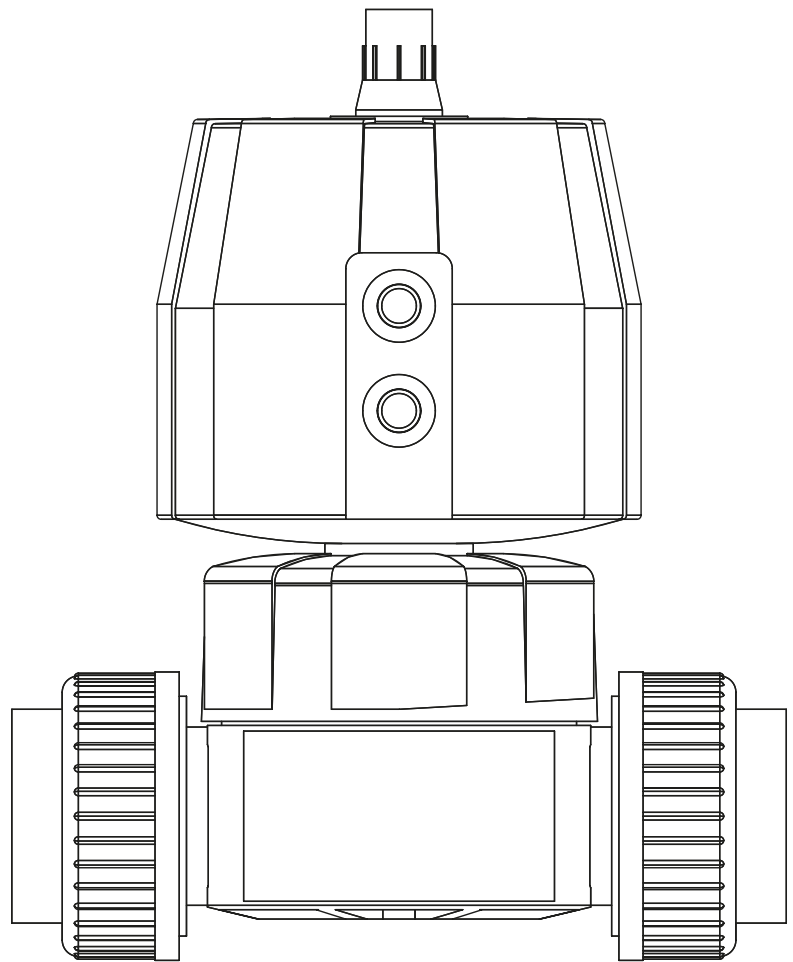
International

Georg Fischer Piping Systems (Switzerland) Ltd
8201 Schaffhausen / Switzerland
Phone +41 (0) 52 631 3003
Fax +41 (0) 52 631 2893
info.export@georgfischer.com
www.gfps.com/int

Les informations et les données techniques (ci-après « Données ») contenues ici ne sont pas contractuelles, sauf mention explicite par écrit. Les données ne constituent pas une garantie expresse ou implicite des caractéristiques et ne garantissent pas des propriétés spécifiques ou une durabilité. Toutes les données sont sujettes à modification. Les conditions générales et les conditions de vente de Georg Fischer Piping Systems sont applicables.

Válvula de membrana neu- mática DIASTAR

Manual de instrucciones



Traducción de las instrucciones de uso originales

Exoneración de responsabilidad

Los datos técnicos no son vinculantes. No representan ninguna garantía de las características, condiciones o durabilidad del dispositivo. Sujeto a modificaciones. Son válidas nuestras Condiciones Generales de Venta.

Índice

1	Acerca de este documento	121
1.1	Documentación complementaria	121
1.2	Símbolos	121
1.3	Abreviaturas	121
1.4	Términos empleados	121
2	Advertencias de seguridad	122
2.1	Significado de las palabras de señalización	122
2.2	Respeto del manual de instrucciones	122
2.3	Seguridad y responsabilidad	122
2.4	Indicaciones para el personal de servicio y operación	123
3	Descripción del producto	124
3.1	Uso conforme a lo dispuesto	124
3.2	Uso no conforme a lo dispuesto	124
3.3	Declaración de conformidad CE	124
3.4	Vista general de tipos	125
3.5	Componentes y funcionamiento	125
3.6	Identificación	127
3.7	Datos técnicos	128
4	Instalación	137
4.1	Preparación	137
4.2	Proceso de instalación	138
4.3	Cambio de la posición de las conexiones para la presión de control	140
4.4	Conexión de la presión de control	142
5	Puesta en funcionamiento	143
5.1	Preparación	143
5.2	Prueba de presión	143
6	Servicio normal	144

6.1	Medidas durante el funcionamiento	144
7	Servicio	145
7.1	Plan de mantenimiento	145
7.2	Desensamblaje y desmontaje	146
7.3	Cambio de la membrana	147
8	Solución de problemas	151
9	Accesorios y recambios	152
9.1	Accesorios	152
10	Eliminación	152

1 Acerca de este documento

1.1 Documentación complementaria

Documento	
Fundamentos de planificación industrial de GF	700671687
Ficha técnica	www.gfps.com/is-manuals-valves
Resistencia química	www.gfps.com

Estos documentos están disponibles en su filial de la sociedad Georg Fischer o en www.gfps.com.

1.2 Símbolos

Símbolo	Significado
•	Enumeración en un orden no definido.
▶	Requerimiento de actuación: aquí se requiere una acción.
1.	Llamada a la acción en un orden determinado: aquí se requiere una acción en el orden especificado.

1.3 Abreviaturas

Abreviatura	Significado
DN	Diámetro nominal
PN	Presión nominal
FC	Función FC / cierre con resistencia de resorte
FO	Función FO / apertura con resistencia de resorte
DA	Función DA / doble efecto

1.4 Términos empleados

Término	Significado
Válvula	Válvula de membrana neumática DIASTAR
Medio	Medio operativo que fluye por la válvula.

2 Advertencias de seguridad

Las indicaciones de seguridad se aplican a la utilización tal como se describe en „Uso conforme a lo dispuesto“.

Las advertencias de seguridad no cubren los siguientes casos:

- Eventos que ocurren por casualidad durante la instalación, el funcionamiento y el servicio.
- El operador es responsable de las disposiciones de seguridad locales y localizadas.

2.1 Significado de las palabras de señalización

En este manual se utilizan indicaciones de advertencia para advertir al usuario de peligros mortales, lesiones, o daños materiales.

¡Dichas advertencias siempre deben leerse y respetarse!

¡PELIGRO!

¡Peligro inminente!

Peligro mortal o lesiones de máxima gravedad en caso de inobservancia.

- ▶ Medidas para evitar el peligro.

¡ADVERTENCIA!

¡Posible peligro!

Peligro de sufrir lesiones severas en caso de incumplimiento.

- ▶ Medidas para evitar el peligro.

¡ATENCIÓN!

¡Situación peligrosa!

Peligro de sufrir lesiones leves en caso de inobservancia.

- ▶ Medidas para evitar el peligro.

¡¡AVISO!

¡Situación peligrosa!

Peligro de daños materiales en caso de inobservancia.

2.2 Respeto del manual de instrucciones

El manual de instrucciones forma parte del producto y es un elemento importante del concepto de seguridad.

- ▶ Lea y tenga en cuenta el manual de instrucciones.
- ▶ Guarde el manual de instrucciones junto con el producto de manera que esté siempre disponible.
- ▶ Entregar el manual de instrucciones en caso de transmitir el producto a otros usuarios.

2.3 Seguridad y responsabilidad

- ▶ Utilizar el producto exclusivamente conforme a lo dispuesto, ver el apartado "Uso conforme a lo dispuesto".
- ▶ No utilizar ningún producto deteriorado o averiado. Reemplazar inmediatamente el producto deteriorado.
- ▶ Asegurarse de que el sistema de tuberías sea instalado profesionalmente e inspeccionado con regularidad.
- ▶ A las válvulas se les aplican las mismas normas de seguridad que rigen para el sistema de tuberías en el que están instaladas.

2.4 Indicaciones para el personal de servicio y operación

El manual de instrucciones está dirigido a los siguientes grupos de destinatarios:

Operario

Los operarios cuentan con formación sobre el funcionamiento del producto y siguen las normas de seguridad.

Personal de servicio

El personal de servicio goza de formación técnica y realiza la instalación, la puesta en funcionamiento y trabajos de mantenimiento.

¡PELIGRO!

¡Manipulación incorrecta!

La instalación, la puesta en funcionamiento o el servicio incorrectos pueden ocasionar lesiones o daños materiales, y contaminar el medioambiente.

- ▶ Encomendar la instalación y la puesta en funcionamiento del producto y los accesorios únicamente a personas con la formación, los conocimientos o la experiencia necesarios.
- ▶ Informar periódicamente al personal sobre todas las cuestiones relacionadas con la normativa local vigente de seguridad laboral y protección medioambiental, especialmente en lo relativo a tuberías a presión.

¡PELIGRO!

¡Uso de medios peligrosos y no autorizados!

Los medios químicos agresivos no autorizados o los medios calientes pueden dañar los materiales, ocasionar lesiones y contaminar el medio ambiente.

Los componentes que no entran en contacto con el medio se pueden dañar por fugas dentro de la válvula.

- ▶ Respetar las fichas técnicas de seguridad o bien las normas de seguridad vigentes para los medios utilizados.
- ▶ Revisar de la compatibilidad del material de la válvula con el medio.
- ▶ No usar ningún medio no autorizado.
- ▶ Revisar con regularidad si la válvula presenta desgaste y realizar el servicio cuando sea necesario.
- ▶ Utilizar el equipo de protección individual adecuado.
- ▶ Con medios calientes: Trabajar solo con el equipo enfriado.
- ▶ En caso de dudas respecto a los medios autorizados debe contactar con Georg Fischer Piping Systems empresa de distribución.

3 Descripción del producto

3.1 Uso conforme a lo dispuesto

La válvula de membrana neumática DIASTAR está concebida exclusivamente para ser montadas en un sistema de tuberías industrial compatible y allí cortar, dejar pasar o regular el flujo de los medios autorizados.

Solo se debe usar dentro de la resistencia química de toda la valvulería y todos los componentes.

3.2 Uso no conforme a lo dispuesto

Cualquier otro uso diferente al uso descrito se considera incorrecto y está, por lo tanto, prohibido. Si se montan o utilizan productos inadecuados en aplicaciones relevantes para la seguridad se pueden generar estados operativos accidentales en la aplicación que podrían generar riesgos de lesiones o daños materiales. Emplear el producto en una aplicación relevante para la seguridad solo cuando ese uso esté especificado y explícitamente permitido en la documentación del producto.

Georg Fischer Piping Systems Ltd. no asume ninguna responsabilidad por daños ocasionados por el uso incorrecto de la válvula. Los riesgos en caso de uso incorrecto son asumidos únicamente por el usuario.

3.3 Declaración de conformidad CE

El fabricante Georg Fischer Piping Systems Ltd., 8201 Schaffhausen (Suiza), declara que las máquinas mencionada a continuación de conformidad con las normas constructivas armonizadas enumeradas son máquinas en el sentido de la Directiva europea de máquinas 2006/42/CE anexo II A y cumplen los requisitos de dicha directiva aplicables a máquinas. La documentación técnica para máquinas se ha elaborado conforme al anexo II, Parte A de dicha Directiva y que la marca CE en las máquina declara su cumplimiento. Por lo demás, declaramos que las máquinas cumplen las disposiciones pertinentes de las demás directivas UE.

Grupo de producto	Placa de identificación	Otras directivas y normas de diseño armonizadas
Válvula de membrana neumática	DIASTAR Six DIASTAR Ten DIASTAR TenPlus DIASTAR Sixteen	<ul style="list-style-type: none"> • EN ISO 16138 • 2006/42/CE • 2014/68/UE • 2011/65/UE • EN ISO 12100 • EN 1349 • EN ISO 4414 • NE 19

Schaffhausen, a 09.04.2024

Bastian Lübke

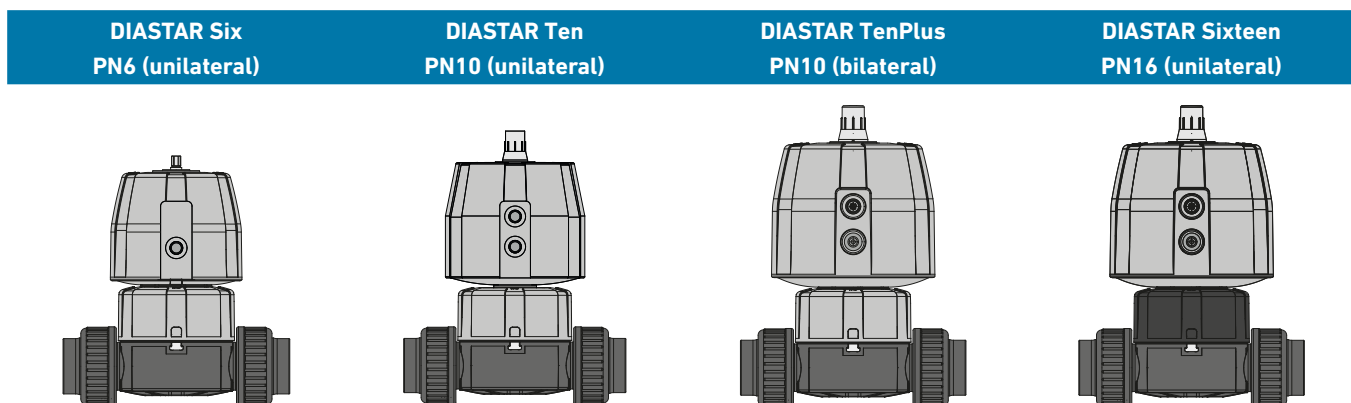
Head of Global R&D

Georg Fischer Piping Systems Ltd.

CH-8201 Schaffhausen (Suiza)



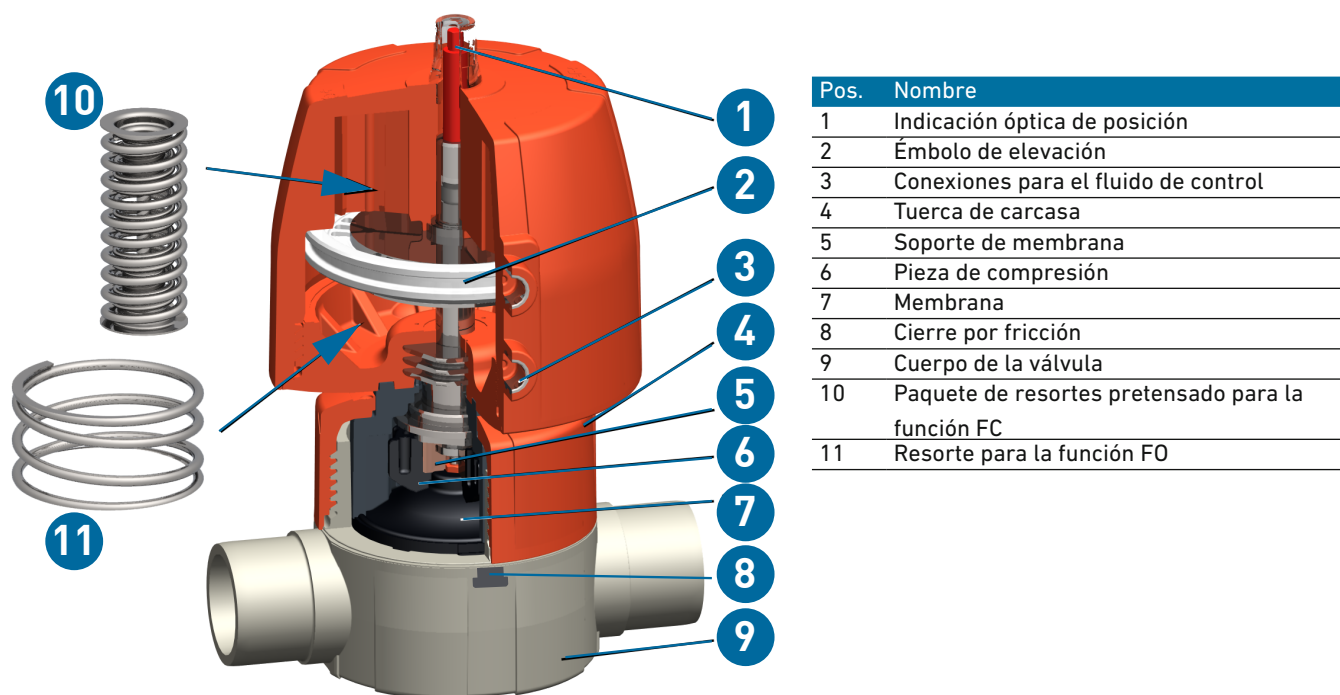
3.4 Vista general de tipos



3.5 Componentes y funcionamiento

3.5.1 Estructura

La estructura constructiva de la válvula es idéntica para los cuatro tipos de cuerpos de válvula, exceptuando las conexiones.



Modo de funcionamiento DA sin resorte (pos. 10 o 11).

3.5.2 Función

Función FC

En reposo la válvula está cerrada por la resistencia de resorte. Si el actuador se presuriza con la presión de control (conexión abajo) se abre la válvula. Si sale la presión de control la resistencia de resorte cierra la válvula.

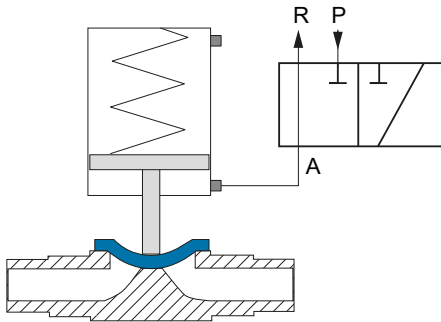
Función FO

En reposo la válvula está abierta por la resistencia de resorte. Si el actuador se presuriza con la presión de control (conexión arriba) se cierra la válvula. Si sale la presión de control la resistencia de resorte abre la válvula.

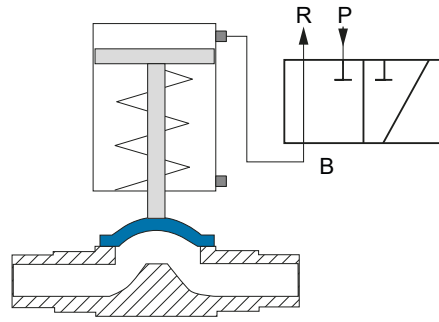
Función DA

La válvula no tiene ninguna posición inicial definida. La válvula se abre y cierra generando la presión de control en la conexión correspondientes (conexión arriba para cierre, conexión abajo para apertura).

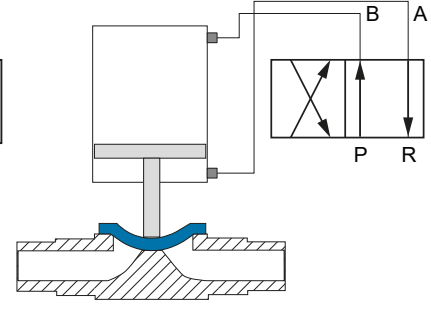
Selección de válvula solenoide y la rosca de conexión respectiva



Función FC con una válvula solenoide piloto de 3/2 vías en conexión abajo



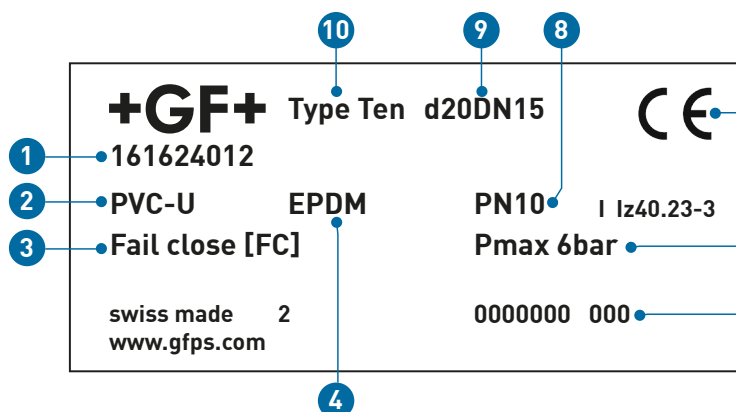
Función FO con una válvula solenoide piloto de 3/2 vías en conexión arriba



Función DA con una válvula solenoide piloto de 4/2 vías o de 5/2 vías. Se usan ambas conexiones.

3.6 Identificación

3.6.1 Válvula de membrana

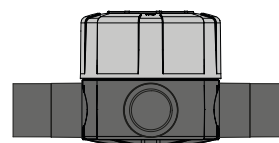
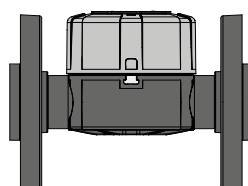
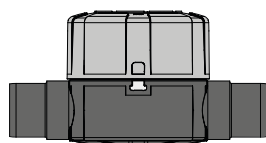
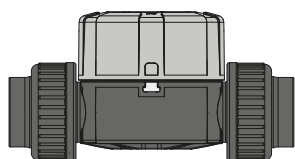


Pos.	Nombre
1	Número de referencia
2	Material del cuerpo de la válvula
3	Modo de funcionamiento
4	Material de la membrana
5	Número de serie
6	Presión de control máx.
7	Marcado CE y homologaciones
8	Presión nominal
9	Dimensión
10	Tipo DIASTAR

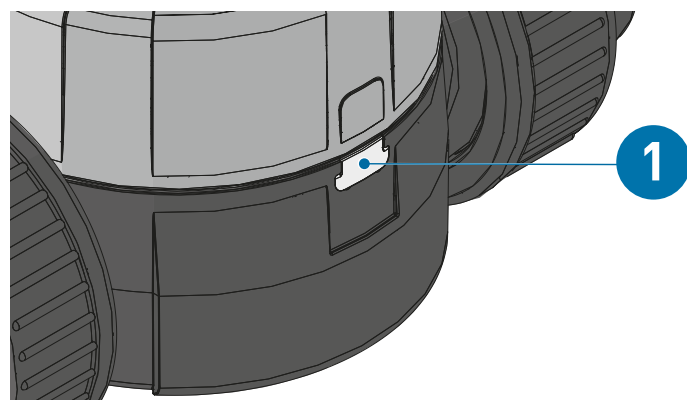
3.6.2 Cuerpo de la válvula

Los cuerpos de válvula son adecuados para distintas variantes de conexión:

Tipo 514	Tipo 515	Tipo 517	Tipo 519
Radial montable y desmontable	Variante de manguito	Variante abridada	Válvula de salida



3.6.3 Característica identificatoria del material de la membrana



Pos.	Nombre
1	Cierre por fricción

El color de la cierre por fricción en el cuerpo de la válvula identifica el material de la membrana.

Cierre por fricción	Material de la membrana	Junta tórica*
Color		
Negro	EPDM	EPDM
Blanco	PTFE/EPDM	FKM
Verde	PTFE/FKM	FKM
Rojo	FKM	FKM
Azul	NBR	EPDM

*para tipo 514

3.7 Datos técnicos

3.7.1 Especificaciones

























Especificaciones				
Medios autorizados	Medios líquidos y gaseosos que en el funcionamiento normal no influyen negativamente en las propiedades físicas y químicas del material correspondientes de la cuerpo de la válvula y la membrana. Puede obtener información sobre la resistencia química de Georg Fischer Verkaufsgesellschaft o en www.gfps.com erhältlich.			
Dimensiones	Tipo Six	d20/DN15 – d63/DN50, 3/8" – 2"		
	Tipo Ten	d20/DN15 – d63/DN50, 3/8" – 2"		
	Tipo TenPlus	d20/DN15 – d63/DN50, 3/8" – 2"		
	Tipo Sixteen	d20/DN15 – d63/DN50, 1/2" – 2"		
Materiales	Cuerpo de la válvula	Tipo Six	UPVC, PVC-C, ABS, PP-H	
		Tipo Ten	UPVC, PVC-C, ABS, PP-H, PP-N, PVDF, PVDF-HP	
		Tipo TenPlus	UPVC, PVC-C, ABS, PP-H, PP-N, PVDF, PVDF-HP	
		Tipo Sixteen	UPVC, PVC-C, ABS, PVDF, PVDF-HP	
	Tuerca de carcasa	PPGF30 para PN10		
		PPSGF40 para PN16 (solo aplicaciones con agua)		
		Juntas/ membranas ¹⁾	Tipo Six	EPDM, FKM
			Tipo Ten	EPDM, PTFE/EPDM, FKM, PTFE/FKM, NBR, FFKM
Tipo TenPlus	EPDM, PTFE/EPDM, FKM, PTFE/FKM, NBR, FFKM			
Tipo Sixteen	EPDM, PTFE/EPDM, FKM, PTFE/FKM, NBR, FFKM			
Vista general de tipos	Tipo Six	Presión nominal: 6 bar	Presión del medio: unilateral	
	Tipo Ten	Presión nominal: 10 bar	Presión del medio: unilateral	
	Tipo TenPlus	Presión nominal: 10 bar	Presión del medio: bilateral	
	Tipo Sixteen	Presión nominal: 16 bar	Presión del medio: unilateral	
Temperatura de servicio ²⁾ (material del cuerpo de válvula)	PVC-U	De 0 a 60 °C		
	PVC-C	De 0 a 80 °C		
	ABS	De -30 a 60 °C		
	PP	De 0 a 80 °C		
	PVDF	De -20 a 140 °C		
Funciones	Tipo Six	FC		
	Tipo Ten	FC, FO, DA		
	Tipo TenPlus	FC		
	Tipo Sixteen	FC, FO, DA		
Accionamiento	Neumático			
Conexiones	Tipo 514	Racor con manguito para cemento disolvente, rosca interior, manguito para soldadura por fusión, boquilla de soldadura a tope		
	Tipo 515	tope macho para cemento disolvente, boquilla de soldadura por fusión socket, boquilla de soldadura a tope		
	Tipo 517	Brida fija ³⁾ , brida rotativa		
	Tipo 519	Válvula de 3 vías con boquilla de soldadura a tope		
Certificaciones	ACS, FDA, DIBt, TA aire, NAMSA			

¹⁾ Otras combinaciones a petición.

²⁾ En función de la temperatura de presión diagrama en la ficha técnica. Los rangos de temperatura pueden variar dependiendo de la combinación de materiales de obturación.

³⁾ Solo la variante JIS.

3.7.2 Tamaños de actuador DIASTAR

DN	DIASTAR Six FC	DIASTAR Ten FC/FO/DA	DIASTAR Sixteen FC	DIASTAR Sixteen DA/FO
15	 1	 1	 2	 1
20	 2	 2	 2	 2
25	 2	 2	 3	 2
32	 3	 3	 4	 3
40	 3	 4	 5	 4
50	 3	 4	 5	 4

3.7.3 Conexión de aire

	DIASTAR Six FC	DIASTAR Ten FC/FO/ DA	DIASTAR TenPlus FC	DIASTAR Sixteen FC
d20/DN15	G 1/8"	G 1/8"	G 1/8"	G 1/8"
d25/DN20	G 1/8"	G 1/8"	G 1/8"	G 1/8"
d32/DN25	G 1/8"	G 1/8"	G 1/8"	G 1/8"
d40/DN32	G 1/8"	G 1/8"	G 1/4"	G 1/4"
d50/DN40	G 1/8"	G 1/4"	G 1/4"	G 1/4"
d63/DN50	G 1/8"	G 1/4"	G 1/4"	G 1/4"

¡AVISO!

¡Interacción entre la presión del medio y los paquetes de resortes!

Las fuerzas de cierre de los accionamientos se han diseñado para las etapas de presión específicas PN. Si se opera con presiones de medio muy bajas y accionamientos muy fuertes la membrana se desgasta demasiado. Usar p. ej. DIASTAR Sixteen (FC) solo con presiones de medio > PN6.

- ▶ Para prolongar la vida útil con presiones de medio bajas se puede reducir la cantidad de paquetes de resortes. Para una disposición específica póngase en contacto con su persona de contacto en Georg Fischer Piping Systems.Piping Systems.

¡PELIGRO!

¡Reducción de la cantidad de paquetes de resortes!

Al reducir la cantidad de paquetes de resortes se reduce a fuerza de cierre. Con un ascenso de la presión del medio la válvula de membrana ya no puede boquear o no completamente el sistema de conductos si faltan paquetes de resortes. Puede mermar la funcionalidad del sistema.

- ▶ Disponer las válvulas de membrana y los paquetes de resortes en función de la presión del medio.

3.7.4 Presión de control

Función FC	Función FO	Función DA
Máximo 6 bares para la función FC, presiones de control inferiores posibles al reducir los paquetes de resortes. En función de la dimensión, véase la tabla de etapas de presión y los diagramas de la presión de control.	5 bares máximo para la función FO. Con la dimensión DN50 y a partir de una presión del medio de >10 bar la presión de control máx. es de 6 bares. En función de la dimensión, véase la tabla de etapas de presión y los diagramas de la presión de control.	5 bares máximo para la función DA. Con la dimensión DN50 y a partir de una presión del medio de >10 bar la presión de control máx. es de 6 bares. En función de la dimensión, véase la tabla de etapas de presión y los diagramas de la presión de control.
Clases de aire comprimido (ISO 8573-1) 2 o 3 con -10°C y 3 o 4 con T>0°C	Clases de aire comprimido (ISO 8573-1) 2 o 3 con -10°C y 3 o 4 con T>0°C	Clases de aire comprimido (ISO 8573-1) 2 o 3 con -10°C y 3 o 4 con T>0°C
A partir de una presión de medio de 10 bares la presión de control debe estar estrangulada (ajustar tiempo de posicionamiento del accionamiento a aprox. 3 s)	A partir de una presión de medio de 10 bares la evacuación del fluido de control debe estar estrangulada (ajustar tiempo de posicionamiento del accionamiento a aprox. 3 s)	A partir de una presión de medio de 10 bares la evacuación del fluido de control debe estar estrangulada (ajustar tiempo de posicionamiento del accionamiento a aprox. 3 s)
Temperatura máx. del fluido de control 40°C	Temperatura máx. del fluido de control 40°C	Temperatura máx. del fluido de control 40°C
	Dependiendo de la presión del medio se pueden seleccionar presiones de control inferiores.	Dependiendo de la presión del medio se pueden seleccionar presiones de control inferiores.

Aviso: Para conseguir la vida útil óptima de la valvulería recomendamos ajustar la presión de control en función de la presión del fluido – véase Membrana con presión de control.


3.7.5 Volumen de control

	DIASTAR Six (FC) [dm ³]	DIASTAR Ten (FC) [dm ³]	DIASTAR Ten (FO) [dm ³]	DIASTAR Ten (DA) [dm ³]		DIASTAR TenPlus (FC) [dm ³]	DIASTAR Sixteen (FC) [dm ³]
				cerrado	abierto		
20DN15	0.04	0.04	0.07	0.07	0.04	0.10	0.10
25DN20	0.12	0.12	0.20	0.20	0.12	0.12	0.12
32DN25	0.12	0.12	0.23	0.23	0.12	0.22	0.22
40DN32	0.24	0.24	0.44	0.44	0.24	0.40	0.40
50DN40	0.24	0.42	0.86	0.86	0.42	0.70	0.70
63DN50	0.24	0.44	0.86	0.86	0.44	0.80	0.80

3.7.6 Niveles de presión



DIASTAR Six FC

Materi- al_cuerpo de la válvula	PVC-U, PVC-C, ABS, PP-H, PP-N	
	Etapas de presión [bar]	Presión de control máx. ²⁾ [bar]
DN	EPDM ¹⁾	
20DN15	6	2.6
25DN20	6	3.8
32DN25	6	3.8
40DN32	6	3.8
50DN40	6	3.8
63DN50	6	5.5

Presión del medio  unilateral



DIASTAR Ten FC

Materi- al_cuerpo de la válvula	PVC-U, PVC-C, ABS, PP-H, PVDF, PVDF-HP, PP-N		
	Etapas de presión [bar]		Presión de control máx. ²⁾ [bar]
DN	EPDM ¹⁾	PTFE	
20DN15	10	10/6*	5.4
25DN20	10	10/6*	5.4
32DN25	10	10/6*	5.4
40DN32	10	10/6*	5.4
50DN40	10	10/6*	5.4
63DN50	10	6/5	5.4

Presión del medio  unilateral  unilateral

DIASTAR Ten FO/DA

Materi- al_cuerpo de la válvula	PVC-U, PVC-C, ABS, PP-H, PVDF, PVDF-HP, PP-N			
	Etapas de presión [bar]		Presión de control máx. ³⁾ [bar]	
DN	EPDM ¹⁾	PTFE	EPDM ¹⁾	PTFE
20DN15	10	10/6*	4.5	3.5
25DN20	10	10/6*	4.5	3
32DN25	10	10/6*	4.5	3.5
40DN32	10	10/6*	4.5	3.5
50DN40	10	10/6*	3.5	3.5
63DN50	10	10/6*	3.5	4.5

Presión del medio  unilateral  unilateral



*Con presión del medio bilateral.

¹⁾ también se aplica a otras membranas de elastómero tales como FKM, NBR, etc.



²⁾ Con presión del medio de 0 bares.

³⁾ Con presión del medio de 10 bares.

DIASTAR TenPlus FC

Materi- al_cuerpo de la válvula	Etapa de presión [bar]		Presión de control máx. ²⁾ [bar]
	EPDM ¹⁾	PTFE	
PVC-U, PVC-C, ABS, P-H, PVDF, PVDF-HP			
DN	EPDM ¹⁾	PTFE	Presión de control máx. ²⁾ [bar]
20DN15	10	10	5.4
25DN20	10	10	5.4
32DN25	10	10	5.4
40DN32	10	10	5.4
50DN40	10	10	5.4
63DN50	10	10	5.4
Presión del medio	 bilateral	 bilateral	

DIASTAR Sixteen FC

Materi- al_cuerpo de la válvula	Etapa de presión [bar]		Presión de control máx. ²⁾ [bar]
	EPDM ¹⁾	PTFE	
PVC-U, PVDF, PVDF-HP			
DN	EPDM ¹⁾	PTFE	Presión de control máx. ²⁾ [bar]
20DN15	16	16	5.5
25DN20	16	16	5.5
32DN25	16	16	5.5
40DN32	16	16	5.5
50DN40	16	16	5.5
63DN50	16	10	5.5
Presión del medio	 unilateral	 unilateral	

¹⁾ también se aplica a otras membranas de elastómero tales como FKM, NBR, etc.

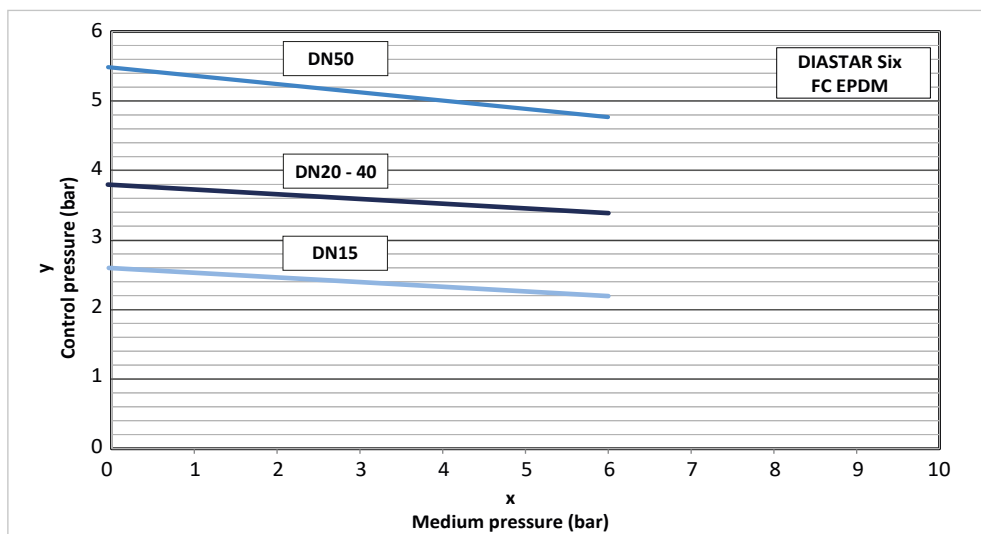
²⁾ Con presión del medio de 0 bares.

Aviso: Para conseguir la vida útil óptima de la valvulería recomendamos ajustar la presión de control PS en función de la presión del fluido – véase Membrana con presión de control. La presión de control PS puede variar en función del diámetro nominal DN, del material de la membrana y del funcionamiento del accionamiento.

Si se usan presiones de control diferentes en la planta se recomienda usar una válvula reguladora de presión. Para una disposición específica póngase en contacto con su persona de contacto en Georg Fischer Piping Systems.Piping Systems.

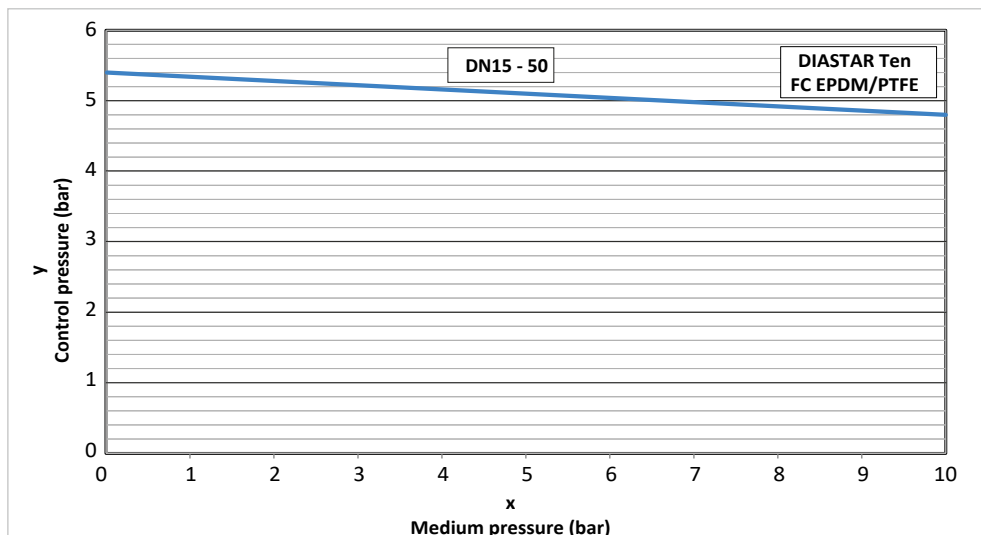
3.7.7 Diagramas de la presión de control

DIASTAR Six FC con membrana EPDM*



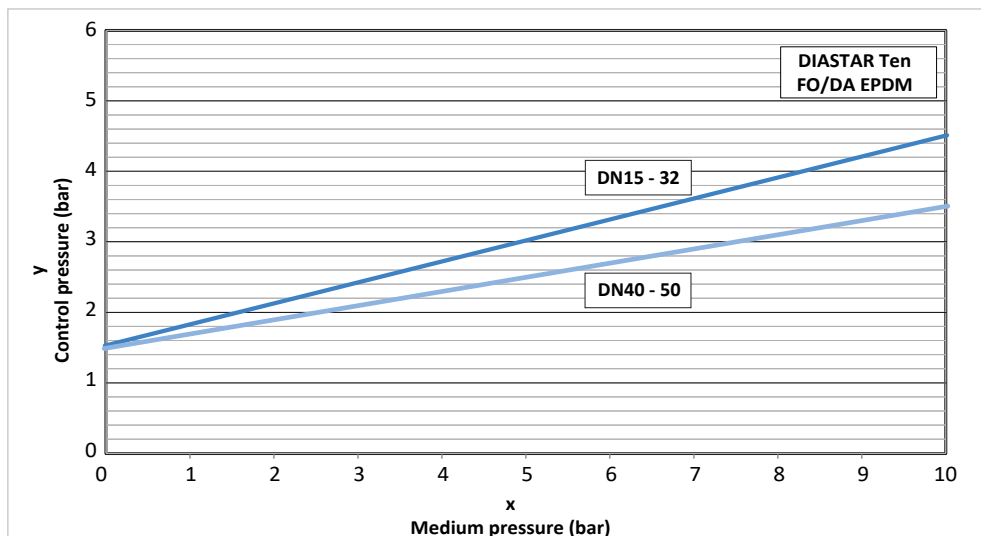
x Presión del medio
y Presión de control

DIASTAR Ten FC con membrana EPDM* o PTFE



x Presión del medio
y Presión de control

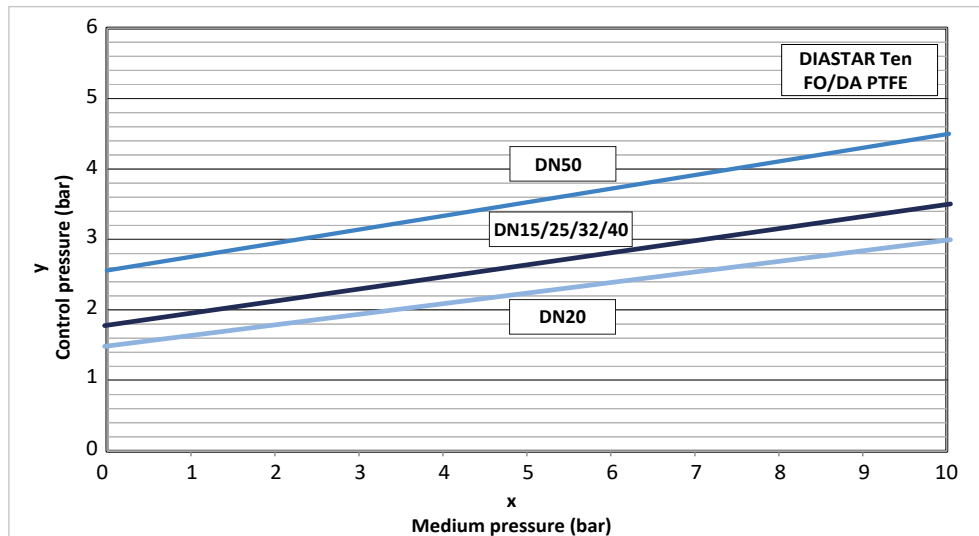
DIASTAR Ten FO y DA con membrana EPDM*



x Presión del medio
y Presión de control

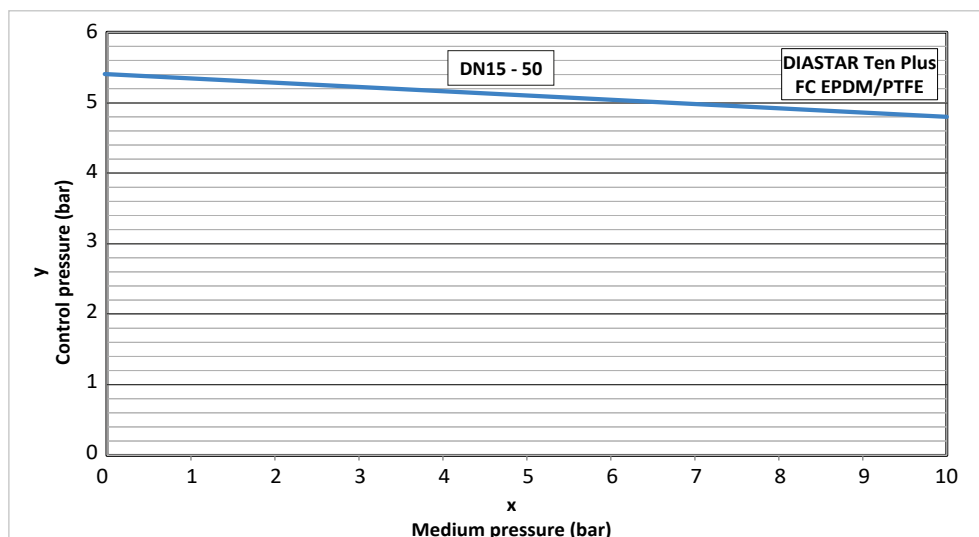
* también se aplica a otras membranas de elastómero tales como FKM, NBR, etc.

DIASTAR Ten FO y DA con membrana PTFE



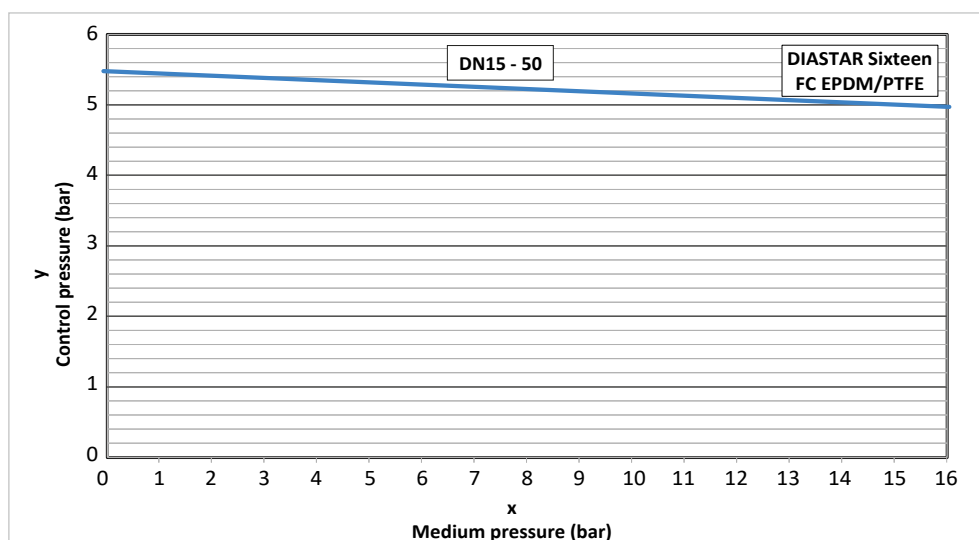
x Presión del medio
y Presión de control

DIASTAR TenPlus FC con membrana EPDM* o PTFE



x Presión del medio
y Presión de control

DIASTAR Sixteen FC con membrana EPDM* o PTFE



x Presión del medio
y Presión de control

* también se aplica a otras membranas de elastómero tales como FKM, NBR, etc.

3.7.8 Valores Kv100

Tipo 514 – 517

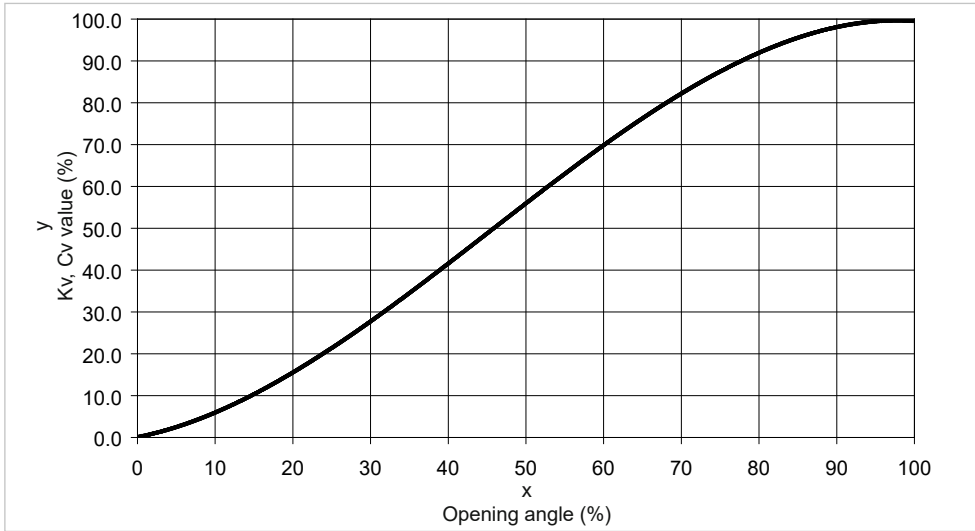
d (mm)	DN (mm)	Pulgadas (")	Kv 100 (l/min)	Cv 100 (US gal./min)	kv 100 (m ³ /h)
20	15	½	125	9	8
25	20	¾	271	19	16
32	25	1	481	33	29
40	32	1 ¼	759	52	45
50	40	1 ½	1263	87	76
63	50	2	1728	119	104

Tipo 519

d (mm)	DN (mm)	Pulgadas (")	Kv 100 (l/min)	Cv 100 (US gal./min)	kv 100 (m ³ /h)
20	15	½	57	4	3
25	20	¾	89	6	5
25	20	¾	118	8	7
32	25	1	80	6	5
32	25	1	105	7	6
32	25	1	231	16	14
40	32	1 ¼	85	6	5
40	32	1 ¼	119	8	7
40	32	1 ¼	153	11	9
40	32	1 ¼	187	13	11
50	40	1 ½	86	6	5
50	40	1 ½	160	11	10
50	40	1 ½	206	14	12
50	40	1 ½	524	36	31
50	40	1 ½	667	46	40
63	50	2	84	6	5
63	50	2	150	11	9
63	50	2	184	13	11
63	50	2	471	32	28
63	50	2	610	42	37
63	50	2	747	52	45
90	80	3	82	6	5
90	80	3	103	7	6
90	80	3	129	9	8
90	80	3	623	43	37
90	80	3	696	48	42
110	100	4	78	5	4
110	100	4	103	7	6
110	100	4	131	9	8
110	100	4	604	42	36
110	100	4	661	46	40
140	125	5	146	10	9
140	125	5	382	26	23
140	125	5	440	30	26
140	125	5	502	35	30
160	150	6	139	10	8
160	150	6	382	26	23
160	150	6	436	30	26
160	150	6	498	34	30

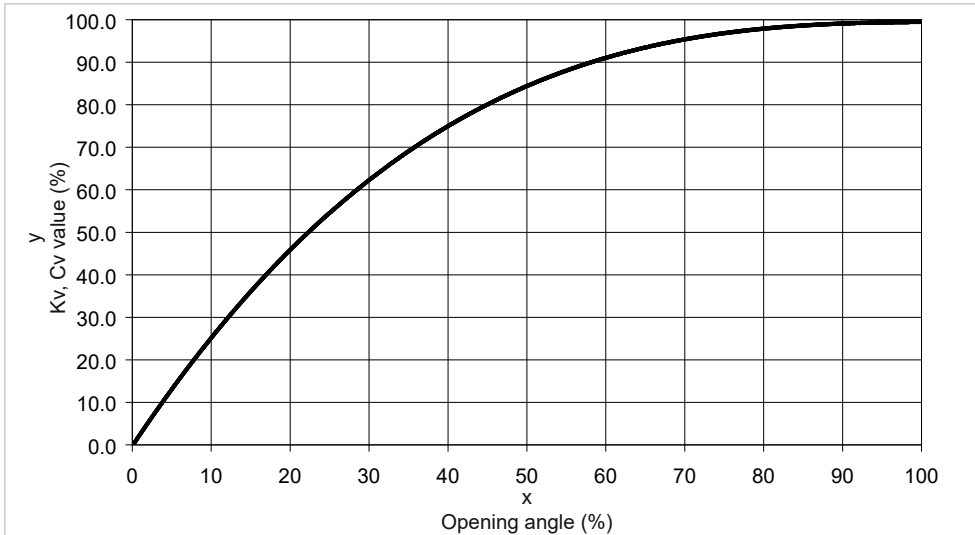
3.7.9 Caudal

Características de flujo tipo 514-517



x Ángulo de apertura (%)
y Kv, valor Cv (%)

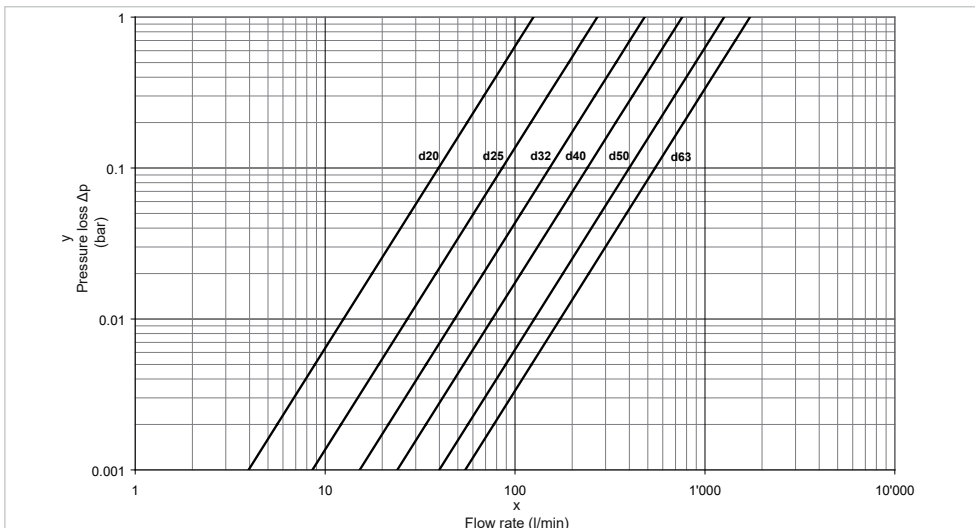
Características de flujo tipo 519



x Ángulo de apertura (%)
y Kv, valor Cv (%)

3.7.10 Pérdidas de presión

Tipo 514 - 517



x Caudal (l/min)
y pérdida de presión Δp (bar)

4 Instalación

4.1 Preparación

¡PELIGRO!

¡Válvula no apta para la aplicación!

La válvula cuenta con propiedades, medidas de montaje y conexiones propias del producto. El uso de una válvula no apta para la aplicación concreta puede ocasionar lesiones y daños materiales, así como contaminar el medioambiente.

- ▶ Revisar de la compatibilidad del material de la válvula con el medio.
- ▶ Comparar las dimensiones del sistema de tuberías con la válvula, conforme se indica en la placa de identificación.
- ▶ Asegurarse de que la clase de presión y el tipo de conexión sean apropiados para las condiciones de aplicación.

¡PELIGRO!

¡Escape incontrolado del medio!

Si la presión no se ha cortado por completo en el sistema de tuberías, el medio podría desviarse de forma incontrolada. En función del tipo de medio, existe peligro de sufrir lesiones.

- ▶ Despresurización completa de la tubería antes de abrir.
- ▶ En el caso de fluidos tóxicos, calientes o explosivos: vacíe completamente la tubería y límpiela antes de desmontarla. Fíjese en que no queden residuos.
- ▶ Asegúrese de que el fluido se recoja con seguridad adoptando las medidas adecuadas (p. ej. conexión a un recipiente colector).
- ▶ Con la válvula en la posición semiabierta, vacíe la válvula en posición vertical recogiendo el medio.
- ▶ Pese al drenaje en la válvula pueden quedar residuos de medios peligrosos.
- ▶ Utilizar el equipo de protección individual adecuado.

¡AVISO!

¡Almacenamiento y transporte incorrectos!

Una manipulación incorrecta puede influir negativamente en la funcionalidad y la calidad del producto.

- ▶ Transporte y almacenamiento del producto en el embalaje original cerrado.
- ▶ Proteja el producto de influencias físicas dañinas como la luz, el polvo, el calor, la humedad y la radiación ultravioleta.
- ▶ Almacenamiento del producto con la posición abierta (estado de entrega).
- ▶ Antes de la instalación, examen general de daños.
- ▶ Saque el producto de su embalaje original justo antes de su montaje.
- ▶ Está prohibido montar válvulas que presenten fallos de funcionamiento.

4.2 Proceso de instalación

- ▶ Instale la válvula siempre en la posición abierta.

¡PELIGRO!

¡Uso de medios peligrosos y no autorizados!

Los medios químicos agresivos no autorizados o los medios calientes pueden dañar los materiales, ocasionar lesiones y contaminar el medio ambiente.

Los componentes que no entran en contacto con el medio se pueden dañar por fugas dentro de la válvula.

- ▶ Respetar las fichas técnicas de seguridad o bien las normas de seguridad vigentes para los medios utilizados.
- ▶ Revisar de la compatibilidad del material de la válvula con el medio.
- ▶ No usar ningún medio no autorizado.
- ▶ Revisar con regularidad si la válvula presenta desgaste y realizar el servicio cuando sea necesario.
- ▶ Utilizar el equipo de protección individual adecuado.
- ▶ Con medios calientes: Trabajar solo con el equipo enfriado.
- ▶ En caso de dudas respecto a los medios autorizados debe contactar con Georg Fischer Piping Systems empresa de distribución.

¡ATENCIÓN!

¡Fuerzas de dilatación térmica sobre el sistema de tuberías!

Si con en caso de fluctuaciones de temperatura se impide la dilatación térmica se pueden producir fuerzas longitudinales y de flexión. Podrían dañarse el sistema de tuberías y la válvula.

- ▶ Asegurarse de que las fuerzas sean absorbidas por puntos fijos adecuados delante o detrás de la válvula o que la propia válvula esté instalada como punto fijo.

¡ATENCIÓN!

¡Tubería no alineada!

Riesgo de lesiones o daños materiales debido a fugas en la tubería ocasionadas por fuerzas de tensión en el sistema de tuberías.

- ▶ Asegúrese de que la válvula esté alineada con la tubería.

4.2.1 Válvula radial montable y desmontable

Todos los materiales con el cuerpo de válvula tipo 514

12. Aflojar las tuercas de unión y deslizarlas en los extremos de tubería previstos.
13. Pegar, atornillar o soldar las piezas de conexión sobre los extremos de la tubería en función de su tipo (el método concreto se describe en Fundamentos de planificación industrial Georg Fischer Uniones pegadas/soldadas).
14. Fijar la válvula de membrana entre las piezas de conexión.
15. Apretar las tuercas de acoplamiento a mano.

¡ADVERTENCIA!

¡Apretar las tuercas de unión hasta DN50 solo a mano!

Riesgo de lesiones o daños materiales por fugas de líquidos debido a tuercas de unión demasiado apretadas o defectuosas.

- ▶ Apretar las tuercas de unión hasta DN50 solo a mano sin utilizar ninguna herramienta.
- ▶ Las tuercas de unión de más de DN50 se aprietan con una llave de correa con el par de apriete indicado en la documentación técnica.

4.2.2 Unión pegada

PVC-U, PVC-C y ABS - con el cuerpo de válvula tipo 514, 515

Unir entre sí únicamente materiales idénticos. Una vez transcurrido el tiempo de secado, enjuagar la sección de tubería lo más rápido posible con agua sin presión, ver capítulo "Tecnología de soldadura" en los "Fundamentos de planificación industrial".

¡ADVERTENCIA!

¡Unión de materiales mutuamente incompatibles!

Riesgo de lesiones o daños materiales debido a fugas en el sistema de tuberías ocasionadas por la unión de materiales no mutuamente compatibles.

- ▶ Solo se permite unir mediante soldadura o pegado materiales idénticos.
- ▶ Las secciones de tubería con uniones pegadas deben ser purgadas despresurizadas con agua lo más rápidamente posible tras concluir la unión.

4.2.3 Unión soldada

PP-H, PP-N, PVDF, PVDF-HP - con el cuerpo de válvula tipo 514, 515, 519

Unir entre sí únicamente materiales idénticos, ver capítulo "Tecnología de soldadura" en los "Fundamentos de planificación industrial".

¡ADVERTENCIA!

¡Unión de materiales mutuamente incompatibles!

Riesgo de lesiones o daños materiales debido a fugas en el sistema de tuberías ocasionadas por la unión de materiales no mutuamente compatibles.

- ▶ Solo se permite unir mediante soldadura o pegado materiales idénticos.

4.2.4 Conexión de brida

Todos los materiales con el cuerpo de válvula tipo 517

Consulte los pares de apriete de los tornillos en los capítulos respectivos de los "Fundamentos de planificación industrial".

¡ATENCIÓN!

¡Conexiones de brida no estancas!

Riesgo de lesiones o daños materiales debido a fugas en el sistema de tuberías.

- ▶ Comprobación periódica de que el medio no sale al exterior.
- ▶ En caso de que salga medio por las conexiones de brida, apretarlas.

¡ATENCIÓN!

¡Caras de soldadura contaminadas!

Riesgo de lesiones por contacto con el medio debido a conexiones no estancas.

- ▶ Proteger las caras de soldadura y las piezas de empalme de daños y contaminación, especialmente de partículas duras o afilados.

4.3 Cambio de la posición de las conexiones para la presión de control

Las conexiones para la presión de control se pueden ubicar en pasos de 90° para alinearlas óptimamente con el sistema de tuberías.

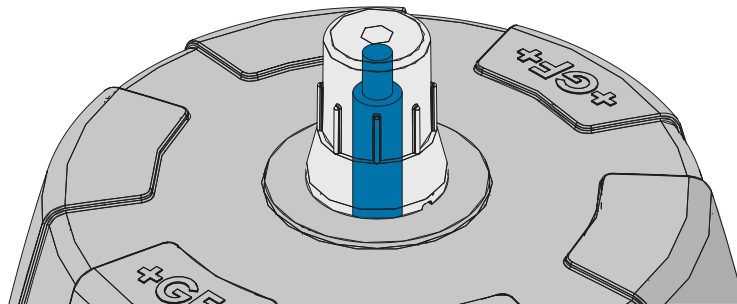
¡PELIGRO!

¡Escape incontrolado del medio!

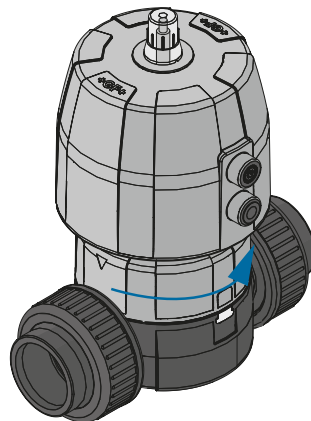
Si la presión no se ha cortado por completo en el sistema de tuberías, el medio podría desviarse de forma incontrolada. En función del tipo de medio, existe peligro de sufrir lesiones.

- ▶ Despresurización completa de la tubería antes de abrir.
- ▶ En el caso de fluidos tóxicos, calientes o explosivos: vacíe completamente la tubería y límpiela antes de desmontarla. Fíjese en que no queden residuos.
- ▶ Asegúrese de que el fluido se recoja con seguridad adoptando las medidas adecuadas (p. ej. conexión a un recipiente colector).
- ▶ Con la válvula en la posición semiabierta, vacíe la válvula en posición vertical recogiendo el medio.
- ▶ Pese al drenaje en la válvula pueden quedar residuos de medios peligrosos.
- ▶ Utilizar el equipo de protección individual adecuado.

1. Asegurarse de que la válvula de membrana esté completamente drenada y despresurizada. Los sensores de nivel y de presión marcan «0».
2. Poner el actuador en posición «abierta». El indicador de posición está arriba.



3. Abrir la tuerca de carcasa con la llave de correa.



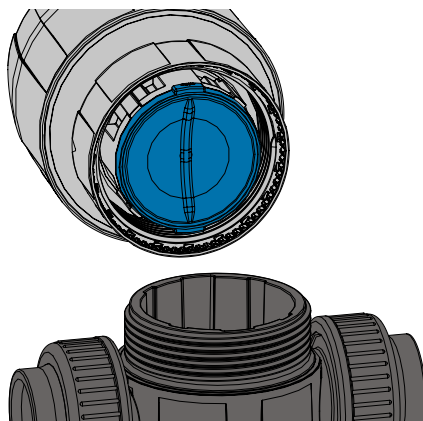
¡ATENCIÓN!

¡Herramienta incorrecta para la tuerca de carcasa!

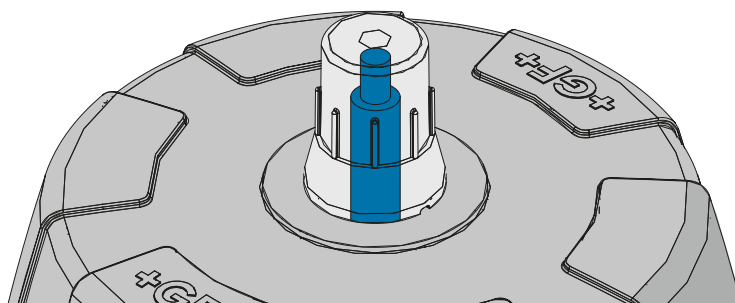
El uso de herramientas no compatibles puede dañar la tuerca de la carcasa. La salida de medio puede ocasionar lesiones y daños materiales.

- ▶ Abrir y cerrar la tuerca de carcasa solo con llave de correa o llave de gancho.

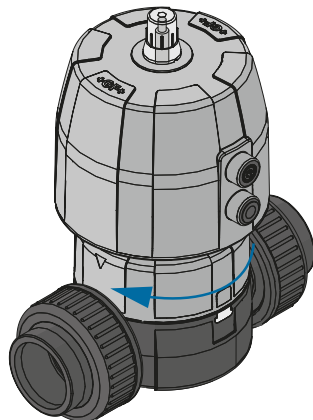
4. Girar el accionamiento 90°.
5. Alinear la membrana paralela a la pieza de compresión. Ubicando las aletas de la membrana justo entre las trabillas de la carcasa interior. Consejo: en la posición «cerrada» la membrana se puede alinear con mayor facilidad.



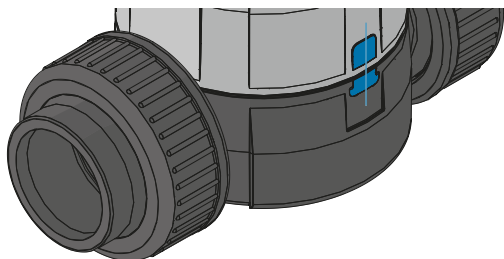
6. Si fuese necesario, poner el actuador en posición «abierta». El indicador de posición está arriba.



7. Colocar el accionamiento sobre el cuerpo de la válvula y apretar la tuerca de carcasa a mano. La membrana está centrada.



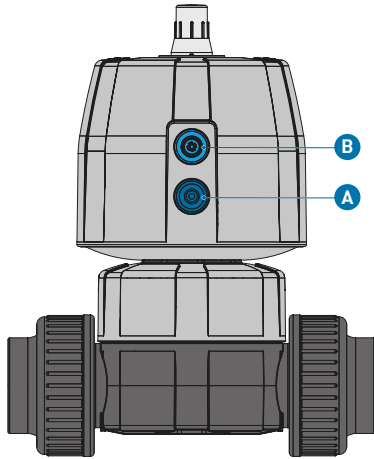
8. Apretar la tuerca de carcasa con la llave de correa / la herramienta especial hasta que...
 - haya una ranura de entre 0,5mm y 1mm entre el cuerpo de la válvula y la tuerca de la carcasa...
 - y la marca de alineación de la tuerca esté alineada con la cierre por fricción.



Aviso: En las válvulas con limitador de carrera integrado recomendamos reajustar la válvula tras ensamblarla.

4.4 Conexión de la presión de control

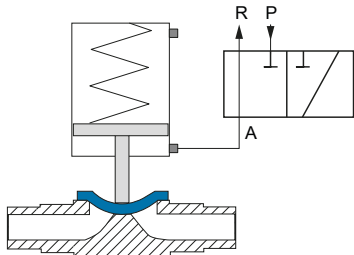
	FC	FO	DA
B	CERRADO	X	X
A	ABIERTO	X	X



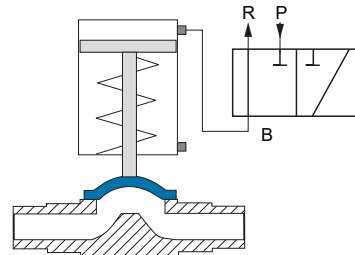
Conexión de aire de control
G 1/8" o G 1/4"

4.4.1 Válvula de membrana con función FC / FO

Válvula de membrana con función FC

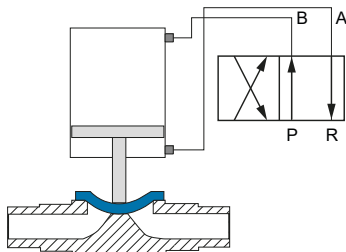


Válvula de membrana con función FO



- ▶ Usar válvula piloto de 3/2 vías (p. ej. PV94 o MNL532).
- ▶ La presión de control se debe conectar, si procede, directamente en el actuador con un tornillo hueco en las placas de conexión múltiples o los grupos de válvulas.

4.4.2 Válvula de membrana con función DA



- ▶ Usar válvula piloto de 4/2- o 5/2 vías (p. ej. MNL532 o 5470).
- ▶ La presión de control se debe conectar, si procede, directamente en el actuador o rebajada en los grupos de válvulas con una placa de conexión Namur.

5 Puesta en funcionamiento

5.1 Preparación

1. Comprobar el funcionamiento: cierre y vuelva a abrir la válvula.
2. Purgue el sistema de tuberías.

5.2 Prueba de presión

La prueba de presión de las válvulas se rige por las mismas normas que el sistema de tuberías (consulte el capítulo manipulación e instalación de los «Fundamentos para la planificación industrial GF»).

1. Asegúrese de que todas las válvulas están en la posición abierta o cerrada necesaria.
2. A partir de una presión de medio de 10 bares estrangular la evacuación del fluido de control (ajustar tiempo de posicionamiento del accionamiento a aprox. 3 s).
3. Llene el sistema de tuberías con el medio de inspección y desairee con precaución.
4. Genere la presión de inspección.
5. Revise la estanqueidad de las válvulas y las conexiones durante la prueba de presión.
6. Tras concluir la prueba de estanqueidad con éxito: retire el medio de inspección.
7. Anotar los resultados.

¡PELIGRO!

¡Sistema de tuberías no estanco!

Por conexiones no estancas pueden salir medios y ocasionar daños materiales, lesiones y contaminar el medio ambiente.

- ▶ Comprobar la estanqueidad de las conexiones antes de la puesta en funcionamiento.
- ▶ Comprobación periódica de que el medio no sale al exterior.
- ▶ Utilizar el equipo de protección individual adecuado.

¡PELIGRO!

¡Presión demasiado alta!

Si se excede la presión máxima permitida el sistema de tuberías puede dañarse y por ello salir medios y ocasionar daños materiales, lesiones y contaminar el medio ambiente.

- ▶ El componente del sistema de tuberías con la PN más baja determina la presión de prueba máxima permitida en la sección de la tubería.
- ▶ Tomar medidas para evitar los golpes de presión.
- ▶ Utilizar el equipo de protección individual adecuado.

¡ATENCIÓN!

¡Presión de prueba máxima permitida!

Para la prueba de presión de las válvulas en posición abierta, se aplican las mismas instrucciones que para el sistema de tuberías (máx. 1,5 x PN, y máx. PN + 5 bar), pero la presión de prueba en posición de válvula cerrada no debe superar el máx. 1,1 x PN. 1,1 x PN.

- ▶ Para obtener información detallada, consulte los fundamentos de planificación de Georg Fischer.
- ▶ Después de la prueba de presión con éxito: Retire el medio de prueba.
- ▶ Registre los resultados.

6 Servicio normal

6.1 Medidas durante el funcionamiento

¡PELIGRO!

¡Uso de medios peligrosos y no autorizados!

Los medios químicos agresivos no autorizados o los medios calientes pueden dañar los materiales, ocasionar lesiones y contaminar el medio ambiente.

Los componentes que no entran en contacto con el medio se pueden dañar por fugas dentro de la válvula.

- ▶ Respetar las fichas técnicas de seguridad o bien las normas de seguridad vigentes para los medios utilizados.
- ▶ Revisar de la compatibilidad del material de la válvula con el medio.
- ▶ No usar ningún medio no autorizado.
- ▶ Revisar con regularidad si la válvula presenta desgaste y realizar el servicio cuando sea necesario.
- ▶ Utilizar el equipo de protección individual adecuado.
- ▶ Con medios calientes: Trabajar solo con el equipo enfriado.
- ▶ En caso de dudas respecto a los medios autorizados debe contactar con Georg Fischer Piping Systems empresa de distribución.

¡PELIGRO!

¡Uso de medios peligrosos y difusores!

Los medios químicos agresivos pueden dañar los materiales, ocasionar lesiones y contaminar el medio ambiente. Los componentes que no entran en contacto con el medio se pueden dañar por fugas o difusión y ocasionar la explosión de las tuercas de la carcasa.

- ▶ Para aplicaciones con medios peligrosos y difusos, se recomienda contactar con el representante responsable de GF.
- ▶ Se recomienda la inspección visual periódica de todos los componentes de la válvula de diafragma. Para ello, se debe vaciar completamente la válvula, desinstalarla y desmontarla.
- ▶ Utilice un equipo de protección adecuado.

¡PELIGRO!

¡Operación de la válvula como válvula final con medios peligrosos!

Por el uso de la válvula como válvula final pueden salir medios agresivos de forma descontrolada y ocasionar daños materiales, lesiones y contaminar el medio ambiente.

- ▶ Despresurizar el sistema de tuberías antes de abrir la válvula.
- ▶ Abrir únicamente la válvula como válvula final si el medio puede recogerse y derivarse de manera segura.
- ▶ Utilizar el equipo de protección individual adecuado.

¡PELIGRO!

¡Sistema de tuberías no estanco!

Por conexiones no estancas pueden salir medios y ocasionar daños materiales, lesiones y contaminar el medio ambiente.

- ▶ Comprobar la estanqueidad de las conexiones antes de la puesta en funcionamiento.
- ▶ Comprobación periódica de que el medio no sale al exterior.
- ▶ Utilizar el equipo de protección individual adecuado.

¡AVISO!

¡Evitar la cavitación!

La cavitación puede provocar daños en componentes dentro de la válvula de membrana.

- ▶ Emplear la válvula solo en el modo regular óptimo.

¡AVISO!

¡La válvula está atorada!

Las válvulas que están continuamente en la misma posición pueden atorarse con el paso del tiempo.

- ▶ Accionar la válvula como mínimo 1-2 veces al año para comprobar su capacidad de funcionamiento.

7 Servicio

7.1 Plan de mantenimiento

Intervalo	Operación de mantenimiento
Periódicamente	▶ Comprobar que la parte superior y el cuerpo de la válvula están unidos de forma estanca.
1 o 2 veces al año	▶ Accionar las válvulas de membrana que están permanentemente abiertas o cerradas para comprobar su funcionalidad.
100.000 ciclos en <ul style="list-style-type: none"> • DIASTAR Ten/ TenPlus: menos de 10 bares de presión nominal con 20°C y agua • DIASTAR Six: menos de 6 bares de presión nominal con 20°C y agua 	▶ Realizar un control visual del cuerpo de la válvula. ▶ Desmontar el actuador y comprobar si la membrana presenta daños. ▶ En caso de estar dañada, sustituir la membrana*.
50.000 ciclos en <ul style="list-style-type: none"> • más de 10 bares de presión nominal con 20°C y agua • DIASTAR Sixteen 	▶ Realizar un control visual del cuerpo de la válvula. ▶ Desmontar el actuador y comprobar si la membrana presenta daños. ▶ En caso de estar dañada, sustituir la membrana*.

* Los membranas de PTFE (PTFE/EPDM; PTFE/FKM) deben sustituirse siempre después de desmontarlos.

- ▶ Si las condiciones de uso difieren (p. ej. temperaturas más altas, medios con fricción) se recomiendan controles más frecuentes.

¡ADVERTENCIA!

¡Control regular del grado de desgaste!

Los componentes que entran en contacto con el medio están sujetos a desgaste. Los movimientos de ajuste frecuentes o el uso de medios químicos agresivos o sucios exigen un servicio más frecuente.

- ▶ Ejecución regular de controles visuales y funcionales de la válvula en función de las condiciones de uso y del peligro potencial para evitar fugas y daños.
- ▶ Desmontar la válvula y comprobar el grado de desgaste del interior de la válvula en intervalos adecuados.
- ▶ Adaptar la frecuencia del mantenimiento a las condiciones de uso y a la carga a la que, por ellas, está sujeta la válvula.
- ▶ Los componentes del interior de la válvula desgastados deben ser reemplazados de inmediato.
- ▶ Utilizar el equipo de protección individual adecuado.

¡ADVERTENCIA!

¡Juntas no estancas!

Riesgo de lesiones por escape de medios debido a juntas dañadas, envejecidas o mal lubricadas.

- ▶ Almacenar las juntas preferiblemente en un lugar fresco, seco y oscuro (a temperatura ambiente).
- ▶ Compruebe que las juntas no presentan daños de envejecimiento, como fisuras y durezas, antes de montarlas.
- ▶ Inspección regular de daños y, si procede, sustitución de las juntas.
- ▶ Lubrique las juntas con grasa con base de silicona o poliol. No se deben utilizar nunca lubricantes con una base de aceite mineral o vaselina (petrolato).
- ▶ Tenga en cuenta las indicaciones específicas del fabricante relativas a válvulas sin daños en el esmalte (limpieza LABS).

¡PELIGRO!

¡No lubricar la tuerca de carcasa!

El uso de lubricantes puede ocasionar fisuras de tensión en el cuerpo de la válvula, especialmente en plásticos amorfos. Eso podría ocasionar contacto con medios peligrosos. Ya no se podría garantizar la funcionalidad de la válvula.

- ▶ No utilizar lubricantes en la conexión roscada entre la tuerca de la carcasa y el cuerpo de la válvula.

7.2 Desensamblaje y desmontaje

¡PELIGRO!

¡Escape incontrolado del medio!

Si la presión no se ha cortado por completo en el sistema de tuberías, el medio podría desviarse de forma incontrolada. En función del tipo de medio, existe peligro de sufrir lesiones.

- ▶ Despresurización completa de la tubería antes de abrir.
- ▶ En el caso de fluidos tóxicos, calientes o explosivos: vacíe completamente la tubería y límpiela antes de desmontarla. Fíjese en que no queden residuos.
- ▶ Asegúrese de que el fluido se recoja con seguridad adoptando las medidas adecuadas (p. ej. conexión a un recipiente colector).
- ▶ Con la válvula en la posición semiabierta, vacíe la válvula en posición vertical recogiendo el medio.
- ▶ Pese al drenaje en la válvula pueden quedar residuos de medios peligrosos.
- ▶ Utilizar el equipo de protección individual adecuado.

¡PELIGRO!

¡Uso de medios peligrosos y no autorizados!

Los medios químicos agresivos no autorizados o los medios calientes pueden dañar los materiales, ocasionar lesiones y contaminar el medio ambiente.

Los componentes que no entran en contacto con el medio se pueden dañar por fugas dentro de la válvula.

- ▶ Respetar las fichas técnicas de seguridad o bien las normas de seguridad vigentes para los medios utilizados.
- ▶ Revisar de la compatibilidad del material de la válvula con el medio.
- ▶ No usar ningún medio no autorizado.
- ▶ Revisar con regularidad si la válvula presenta desgaste y realizar el servicio cuando sea necesario.
- ▶ Utilizar el equipo de protección individual adecuado.
- ▶ Con medios calientes: Trabajar solo con el equipo enfriado.
- ▶ En caso de dudas respecto a los medios autorizados debe contactar con Georg Fischer Piping Systems empresa de distribución.

7.3 Cambio de la membrana

La frecuencia del cambio de la membrana depende de la cantidad de ciclos de ajuste y del medio empleado. Se puede controlar la membrana desmontando correctamente la parte superior.

⚠ ¡AVISO!

¡La membrana es una pieza de desgaste!

Si se usa mucho o en condiciones duras la membrana se desgasta sobremanera y debe ser reemplazada con más frecuencia. Si la membrana está desgastada o no es estanca pueden provocarse lesiones o daños materiales.

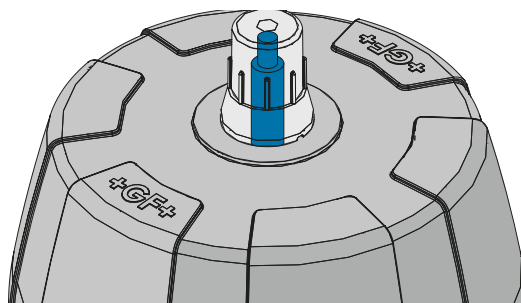
- ▶ Controlar y, si procede, reemplazar con regularidad las membrana y las juntas en función de la carga de uso.
- ▶ Usar solamente membranas compatibles con la válvula, consulte la placa de identificación.

⚠ ¡ATENCIÓN!

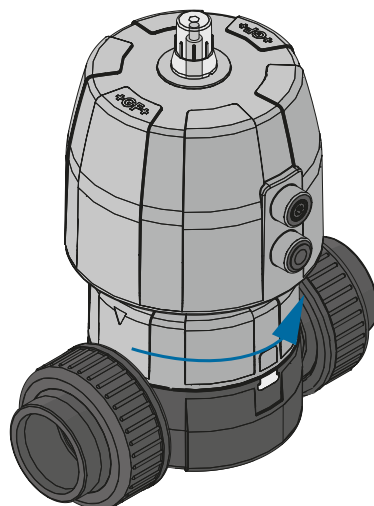
¡Cambiar todo el kit de la membrana!

Si se emplean membranas PTFE con EPDM o FKM hay que cambiar ambas membranas.

- ▶ Asegúrese de que se reemplazan ambas membranas.
1. Despresurizar y vaciar el conducto. Asegurarse de que la válvula de membrana esté completamente drenada y despresurizada. Los sensores de nivel y de presión marcan «0».
 2. Poner el actuador en posición «abierta». El indicador de posición está arriba.



3. Abrir la tuerca de la carcasa cuidadosamente desenroscando con una llave de correa (disponible por separado).



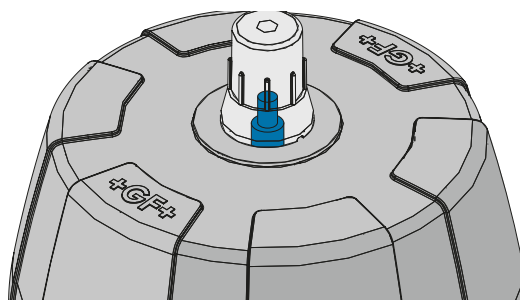
⚠ ¡ATENCIÓN!

¡Herramienta incorrecta para la tuerca de carcasa!

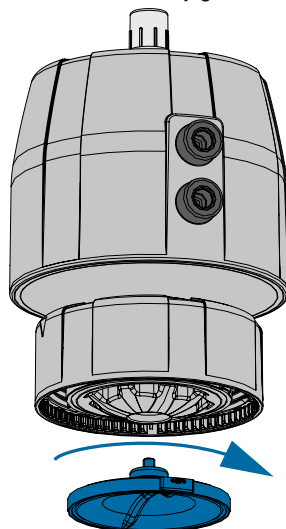
El uso de herramientas no compatibles puede dañar la tuerca de la carcasa. La salida de medio puede ocasionar lesiones y daños materiales.

- ▶ Abrir y cerrar la tuerca de carcasa solo con llave de correa o llave de gancho.

4. Poner el actuador en posición «cerrado».



5. Para desmontar la membrana de la carcasa agarrar el actuador y girar la membrana en sentido antihorario.



6. Montar la nueva membrana en la misma posición que la usada.
 - ▶ Para las primeras vueltas poner el actuador perpendicular para que el soporte de membrana pueda asir la varilla roscada de la membrana.
 - ▶ Enroscar la nueva membrana a mano girando en sentido horario.
 - ▶ Volver a girar la membrana de vuelta como mínimo 90°/máximo 360°. Alinear el refuerzo de estanqueidad de la membrana paralelo a la pieza de compresión. Las aletas de la membrana deben estar justo entre la estrecha ranura guía de la carcasa interior.

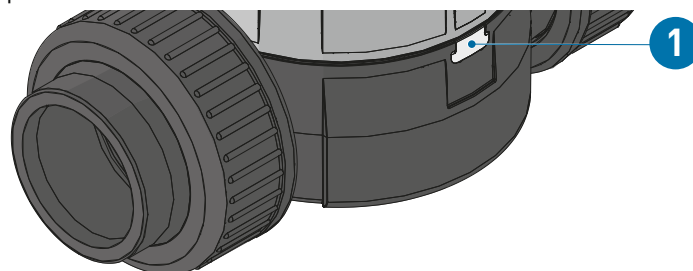
⚠ ¡ADVERTENCIA!

¡Membrana enroscada en la dirección falsa!

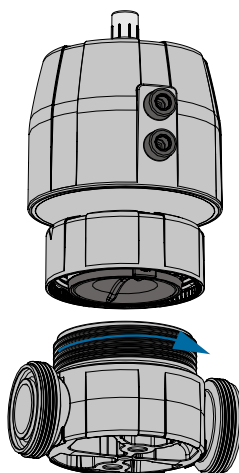
Si no se enrosca la membrana en la carcasa interior tal como se describe se pueden generar fugas, pérdidas y daños materiales. Ya no se podría garantizar el funcionamiento de la válvula.

- ▶ Enroscar la membrana correctamente en la carcasa interior.

7. Al cambiar el material de la membrana: soltar y retirar la placa (1) divisora en el cuerpo de válvula usando un destornillador. Presionar una nueva cierre por fricción.



8. Poner el actuador con la tuerca de carcasa sobre el cuerpo de la válvula y ubicar el refuerzo de paso de la membrana paralelo a la pieza de compresión.



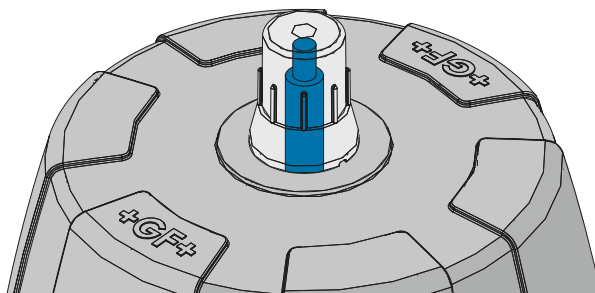
⚠ ¡PELIGRO!

¡No lubricar la tuerca de carcasa!

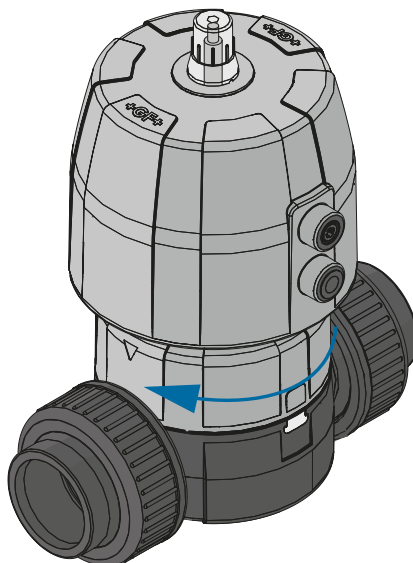
El uso de lubricantes puede ocasionar fisuras de tensión en el cuerpo de la válvula, especialmente en plásticos amorfos. Eso podría ocasionar contacto con medios peligrosos. Ya no se podría garantizar la funcionalidad de la válvula.

- ▶ No utilizar lubricantes en la conexión roscada entre la tuerca de la carcasa y el cuerpo de la válvula.

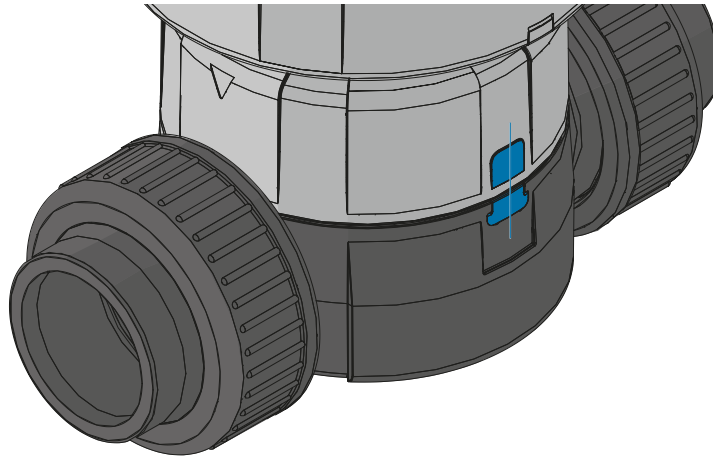
9. Poner el actuador en posición «abierto». El indicador de posición está arriba.



10. Apretar la tuerca de carcasa a mano. La membrana está centrada.



11. Apretar la tuerca de carcasa con la llave de correa / la herramienta especial hasta que...
- haya una ranura de entre 0,5mm y 1mm entre el cuerpo de la válvula y la tuerca de la carcasa...
 - y el indicador semiesférico de la tuerca esté alineado con la cierre por fricción en el cuerpo de la válvula.



Aviso: En las válvulas con limitador de carrera integrado recomendamos reajustar la válvula tras ensamblarla.

8 Solución de problemas

Avería	Causa posible	Solución de problemas
Fugas hacia el exterior en la conexión de brida	Cambio de temperatura	▶ Reapretar la unión y, si procede, reemplazar la junta.
	Junta defectuosa	▶ Reemplazar la junta.
Fuga hacia el exterior en la tuerca de unión	Conexión suelta entre la tuerca de unión y el cuerpo de la válvula	▶ Apretar la unión a mano.
	Junta defectuosa	▶ Reemplazar la junta.
Fuga en la unión entre el cuerpo de la válvula y la tuerca de la carcasa	La tuerca de la carcasa no está bien apretada	▶ Reapretar la tuerca de carcasa.
	Membrana desgastada	▶ Cambiar la membrana.
	Cuerpo de la válvula defectuoso	▶ Inspeccionar si hay daños en el ecuerpo de la válvula y cambiarlo, si procede.
	Membrana mal montada/alineada	▶ Revisar el correcto montaje de la membrana.
Fugas en el asiento/la fuga de paso	Membrana desgastada	▶ Cambiar la membrana.
Fugas del fluido de control por una conexión de aire no cerrada	Juntas desgastadas	▶ Cambiar las juntas de husillo y émbolo.
Fugas del fluido de control por la purga	Desgaste de las juntas y la membrana	▶ Cambiar las juntas de husillo y émbolo.
La válvula no efectúa la carrera específica o no se abre o cierra completamente	La presión de control no se ha seleccionado correctamente	▶ Comprobar la presión de control.
	El modo de funcionamiento y las conexiones del fluido de control no son compatibles	▶ Comprobar la función (FC, FO, DA) y las conexiones correspondientes.
	Línea de aireación y desaireación defectuosa	▶ Comprobar el funcionamiento de las líneas de aireación y desaireación.
La válvula de membrana no se abre completamente	Membrana mal montada/alineada	▶ Revisar el correcto montaje de la membrana.
La válvula de membrana no se cierra completamente	Presión demasiado alta en el sistema de tuberías	▶ Operar la válvula solo dentro de los datos especificados.
	Cuerpo ajeno entre la membrana y el cuerpo de la válvula	▶ Retirar el cuerpo ajeno y revisar si hay daños en el cuerpo de la válvula.
	Componentes defectuosos	▶ Inspeccionar si hay daños en la membrana y el cuerpo de la válvula y cambiar, si procede.
Accionamiento de la válvula difícil de mover	Desgaste del husillo o de las juntas	▶ Cambiar las juntas y, si procede, las piezas funcionales.
La tubería o la válvula de membrana se deforman o se dilatan	Las fuerzas de la tubería son demasiado altas	▶ Mejorar el apoyo de la tubería.
Desgaste prematuro de la válvula de membrana o de piezas individuales	Los materiales no son suficientemente resistentes	▶ Seleccionar materiales adecuados, consulte Fundamentos de planificación industrial de GF.
	Medio sucio	▶ Revisar el grado de suciedad del medio / limpiar.

Membrana prematuramente desgastada	Presión de control muy alta	▶ Seleccionar la presión de control correspondiente del diagrama de presiones de control.
	El modo de funcionamiento y las conexiones del fluido de control no son compatibles	▶ Comprobar la función (FC, FO, DA) y las conexiones correspondientes.
	No se ha seleccionado un actuador acorde con la presión del fluido	▶ Seleccionar el tipo de actuador adecuado.
	Orificio de desaireación sucio	▶ Controlar y limpiar el orificio de desaireación en la pieza superior.
Manchas blanquecinas en la tuerca de la carcasa	Daños químicos	▶ Cambio inmediato de la membrana y de todos los componentes desgastados respetando todas las normas de seguridad.

9 Accesorios y recambios

¡ATENCIÓN!

¡No realizar cambios en el producto!

Daños materiales o riesgo de lesiones por cambios en el producto o piezas de repuesto incompatibles.

- ▶ Asegurar la instalación/aparato frente a un accionamiento involuntario.
- ▶ No utilizar piezas de repuesto defectuosas.

¡ATENCIÓN!

¡Recambios falsos!

En caso de sustitución solo se deben utilizar las piezas de recambio originales de Georg Fischer Piping Systems previstas para el tipo de válvula.

- ▶ Usar únicamente piezas de recambio originales de Georg Fischer Piping Systems con la información de la placa de identificación.

9.1 Accesorios

- Indicador de posición eléctrico con interruptores AgNi y Au
- Reequipamiento con carcasa resistente a la presión
- Llave de correa
- Válvulas piloto: tipo PV94/95, MNL532, 5470

10 Eliminación

- ▶ Antes de eliminar los materiales individuales, estos deben separarse en residuos reciclables, residuos normales y residuos especiales.
- ▶ Al eliminar o reciclar el producto, los componentes individuales y el embalaje, deben observarse las normas locales y disposiciones legales vigentes.
- ▶ Observar las instrucciones, normativas y estándares específicos del país.

¡ADVERTENCIA!

¡Componentes contaminados!

¡Algunas partes del producto pueden estar contaminadas con fluidos nocivos para la salud y el medio ambiente y, por tanto, no basta simplemente con limpiarlas! Estos fluidos pueden causar daños personales y medioambientales. Antes de eliminar el producto:

- ▶ recoger los fluidos que se escapan y desecharlos de acuerdo con la normativa local.
- ▶ Consulte la ficha técnica de seguridad del fluido empleado.
- ▶ Neutralice los posibles restos de fluido en el producto.
- ▶ Separar y desechar los materiales (plásticos, metales, etc.) de acuerdo con la normativa local.

Presencia en todo el mundo

Nuestras compañías de venta y distribuidores aseguran el apoyo al cliente final en más de 100 países.

www.gfps.com

Argentina / Southern South America

Georg Fischer Central Plastics Sudamérica S.R.L.
Buenos Aires / Argentina
Phone +54 11 4512 02 90
gfccentral.ps.ar@georgfischer.com
www.gfps.com/ar

Australia

Georg Fischer Pty Ltd
Riverwood NSW 2210
Phone +61 (0) 2 9502 8000
australia.ps@georgfischer.com
www.gfps.com/au

Austria

Georg Fischer Rohrleitungssysteme GmbH
3130 Herzogenburg
Phone +43 (0) 2782 856 43-0
austria.ps@georgfischer.com
www.gfps.com/at

Belgium / Luxembourg

Georg Fischer NV/SA
1600 Sint-Pieters-Leeuw / Belgium
Phone +32 (0) 2 556 40 20
Fax +32 (0) 2 524 34 26
be.ps@georgfischer.com
www.gfps.com/be

Brazil

Georg Fischer Sist. de Tub. Ltda.
04571-020 São Paulo/SP
Phone +55 (0) 11 5525 1311
br.ps@georgfischer.com
www.gfps.com/br

Canada

Georg Fischer Piping Systems Ltd
Mississauga, ON L5T 2B2
Phone +1 (905) 670 8005
Fax +1 (905) 670 8513
ca.ps@georgfischer.com
www.gfps.com/ca

China

Georg Fischer Piping Systems Ltd
Shanghai 201319
Phone +86 21 3899 3899
china.ps@georgfischer.com
www.gfps.com/cn

Denmark / Iceland

Georg Fischer A/S
2630 Taastrup / Denmark
Phone +45 (0) 70 22 19 75
info.dk.ps@georgfischer.com
www.gfps.com/dk

Finland

Georg Fischer AB
01510 Vantaa
Phone +358 (0) 9 586 58 25
Fax +358 (0) 9 586 58 29
info.fi.ps@georgfischer.com
www.gfps.com/fin

France

Georg Fischer SAS
95932 Roissy Charles de Gaulle Cedex
Phone +33 (0) 1 41 84 68 84
fr.ps@georgfischer.com
www.gfps.com/fr

Germany

Georg Fischer GmbH
73095 Albershausen
Phone +49 (0) 7161 302 0
info.de.ps@georgfischer.com
www.gfps.com/de

India

Georg Fischer Piping Systems Pvt. Ltd
400 083 Mumbai
Phone +91 22 4007 2000
Fax +91 22 4007 2020
branchoffice@georgfischer.com
www.gfps.com/in

Indonesia

PT Georg Fischer Indonesia
Karawang 41371, Jawa Barat
Phone +62 267 432 044
Fax +62 267 431 857
indonesia.ps@georgfischer.com
www.gfps.com/id

Italy

Georg Fischer S.p.A.
20864 Agrate Brianza (MB)
Phone +39 02 921 86 1
Fax +39 02 921 86 24 7
it.ps@georgfischer.com
www.gfps.com/it

Japan

Georg Fischer Ltd
530-0003 Osaka
Phone +81 (0) 6 6341 2451
jp.ps@georgfischer.com
www.gfps.com/jp

Korea

Georg Fischer Korea Co. Ltd
Unit 2501, U-Tower
120 Heungdeok Jungang-ro
(Yeongdeok-dong)
Giheung-gu, Yongin-si, Gyeonggi-do
Phone +82 31 8017 1450
Fax +82 31 217 1454
kor.ps@georgfischer.com
www.gfps.com/kr

Malaysia

Georg Fischer (M) Sdn. Bhd.
41200 Klang, Selangor Darul Ehsan
Phone +60 (0) 3 3122 5585
Fax +60 (0) 3 3122 5575
my.ps@georgfischer.com
www.gfps.com/my

Mexico / Northern Latin America

Georg Fischer S.A. de C.V.
CP 66603 Apodaca, Nuevo León / Mexico
Phone +52 (81) 1340 8586
Fax +52 (81) 1522 8906
mx.ps@georgfischer.com
www.gfps.com/mx

Middle East

Georg Fischer Piping Systems (Switzerland) Ltd
Dubai / United Arab Emirates
Phone +971 4 289 49 60
gcc.ps@georgfischer.com
www.gfps.com/int

Netherlands

Georg Fischer N.V.
8161 PA Epe
Phone +31 (0) 578 678 222
nl.ps@georgfischer.com
www.gfps.com/nl

New Zealand

Georg Fischer Ltd
5018 Upper Hutt
Phone +04 527 9813
Fax +04 527 9834
nz.ps@georgfischer.com
www.gfps.com/nz

Norway

Georg Fischer AS
1351 Rud
Phone +47 67 18 29 00
no.ps@georgfischer.com
www.gfps.com/no

Philippines

Georg Fischer Pte. Ltd.
Philippines Representative Office
1500 San Juan City
Phone +632 571 2365
Fax +632 571 2368
sgp.ps@georgfischer.com
www.gfps.com/sg

Poland

Georg Fischer Sp. z o.o.
05-090 Sekocin Nowy
Phone +48 (0) 22 31 31 0 50
poland.ps@georgfischer.com
www.gfps.com/pl

Romania

Georg Fischer Piping Systems (Switzerland) Ltd
020257 Bucharest - Sector 2
Phone +40 (0) 21 230 53 80
ro.ps@georgfischer.com
www.gfps.com/int

Russia

Georg Fischer Piping Systems (Switzerland) Ltd
Moscow 125040
Phone +7 495 748 11 44
ru.ps@georgfischer.com
www.gfps.com/ru

Singapore

Georg Fischer Pte Ltd
528 872 Singapore
Phone +65 6747 0611
Fax +65 6747 0577
sgp.ps@georgfischer.com
www.gfps.com/sg

Spain / Portugal

Georg Fischer S.A.
28046 Madrid / Spain
Phone +34 (0) 91 781 98 90
es.ps@georgfischer.com
www.gfps.com/es

Sweden

Georg Fischer AB
117 43 Stockholm
Phone +46 (0) 8 506 775 00
info.se.ps@georgfischer.com
www.gfps.com/se

Switzerland

Georg Fischer Rohrleitungssysteme (Schweiz) AG
8201 Schaffhausen
Phone +41 (0) 52 631 3026
ch.ps@georgfischer.com
www.gfps.com/ch

Taiwan

Georg Fischer Co. Ltd
San Chung Dist., New Taipei City
Phone +886 2 8512 2822
Fax +886 2 8512 2823
www.gfps.com/tw

United Kingdom / Ireland

Georg Fischer Sales Limited
Coventry, CV2 2ST / United Kingdom
Phone +44 (0) 2476 535 535
uk.ps@georgfischer.com
www.gfps.com/uk

USA / Caribbean

Georg Fischer LLC
92618 Irvine, CA / USA
Phone +1 714 731 8800
Fax +1 714 731 6201
us.ps@georgfischer.com
www.gfps.com/us

Vietnam

Georg Fischer Pte Ltd
Representative Office
Ho Chi Minh City
Phone +84 28 3948 4000
Fax +84 28 3948 4010
sgp.ps@georgfischer.com
www.gfps.com/vn

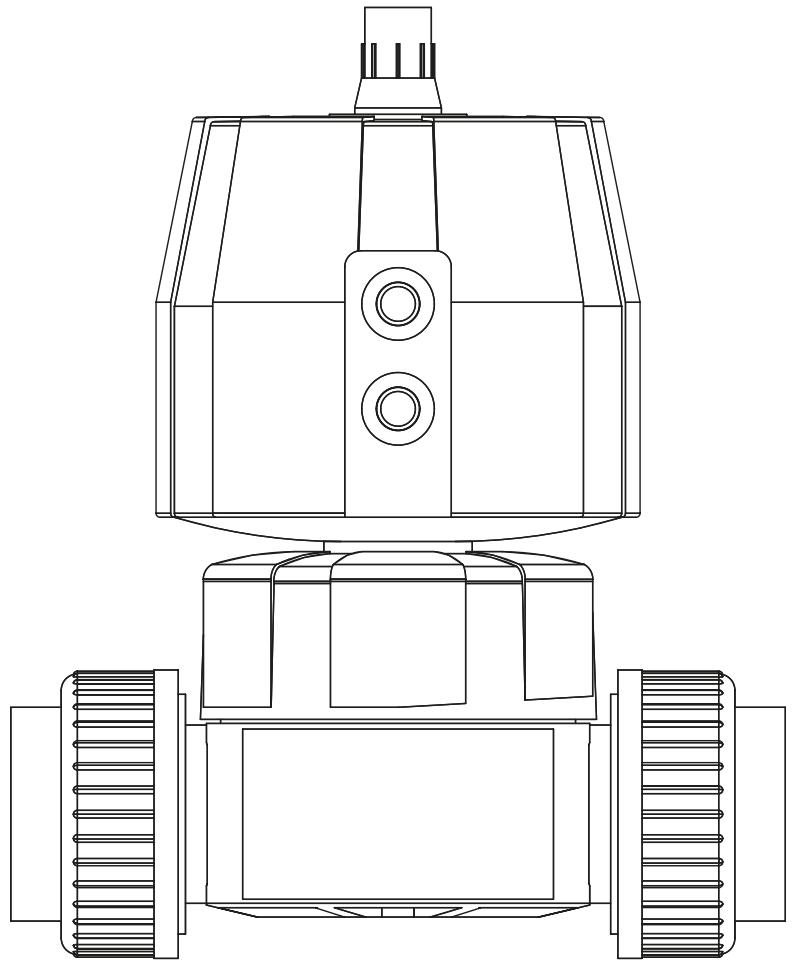
International

Georg Fischer Piping Systems (Switzerland) Ltd
8201 Schaffhausen / Switzerland
Phone +41 (0) 52 631 3003
Fax +41 (0) 52 631 2893
info.export@georgfischer.com
www.gfps.com/int

Esta información y características técnicas (en adelante, "datos") no son vinculantes a no ser que se confirme expresamente por escrito. Los datos no constituyen características explícitas, implícitas o garantizadas, propiedades garantizadas o una garantía de durabilidad. Todos los datos están sujetos a modificaciones. Se aplican las Condiciones Generales de Venta de Georg Fischer Piping Systems.

气动隔膜阀 DIASTAR

操作说明书



原始操作说明书

免责条款

技术参数不具有约束力。该数据既不具备保证属性也不能保证质量和持久性。保留更改权。适用于一般销售条件。

目录

1	关于本文件	159
1.1	其他适用文件	159
1.2	符号	159
1.3	缩写	159
1.4	所用术语	159
2	安全说明	160
2.1	信号词的含义	160
2.2	按操作说明书操作	160
2.3	安全与责任	160
2.4	服务和操作人员须知	161
3	产品说明	162
3.1	常规使用	162
3.2	不按常规使用	162
3.3	EC 符合性声明	162
3.4	类型概览	163
3.5	构造与功能	163
3.6	识别	165
3.7	技术参数	166
4	安装	175
4.1	准备工作	175
4.2	安装过程	176
4.3	改变控制压力的连接位置	178
4.4	连接控制压力	180
5	投入运行	181
5.1	准备工作	181
5.2	压力测试	181
6	正常模式	182

6.1	运行期间的措施	182
7	维修	183
7.1	维修计划	183
7.2	清除和拆卸	184
7.3	更换隔膜	185
8	故障排除	189
9	附件和备件	189
9.1	备件	190
10	清洁	190

1 关于本文件

1.1 其他适用文件

文件

Georg Fischer 规划基础行业	700671687
数据表	www.gfps.com/is-manuals-valves
耐化学性	www.gfps.com

您可以在 Georg Fischer 销售公司或网站 www.gfps.com 获得这些资料。

1.2 符号

符号 含义

·	列项信息，无特定顺序。
▶	处理要求：此处须采取某些措施。
1.	有处理顺序的处理要求：此处须按规定的顺序采取某些措施。

1.3 缩写

缩写 含义

DN	公称直径
PN	公称压力
FC	功能 FC/阀门关闭
FO	功能 FO/阀门打开
DA	功能 DA/双重作用

1.4 所用术语

概念 含义

阀门	气动隔膜阀 DIASTAR
介质	流经阀门的工作介质。

2 安全说明

该安全说明适用于“常规使用”中描述的用途。

该安全说明不包括以下情况：

- 安装、运行和维护时发生的意外情况。
- 操作人员对当地和现场的安全规定负责。

2.1 信号词的含义

本说明书中标注了警告提示，提醒使用者注意人身伤害和财产损失。务必阅读和遵守这些警告提示！

危险！

紧急危险！

不遵守规定会造成死亡或重伤。

- ▶ 采取措施避免危险。

警告！

可能发生的危险！

不遵守规定会造成重伤。

- ▶ 采取措施避免危险。

小心！

危险情况！

不遵守规定会造成轻伤。

- ▶ 采取措施避免危险。

提示！

危险情况！

不遵守规定会造成财产损失。

2.2 按操作说明书操作

操作说明书是产品的一部分，也是安全概念中的一个重要因素。

- ▶ 阅读并遵守操作说明书。
- ▶ 始终将操作说明书与产品置于一处。
- ▶ 向后续所有产品使用者提供操作说明书。

2.3 安全与责任

- ▶ 只按预期使用产品，请参见“常规使用”。
- ▶ 不使用损坏或有缺陷的产品。立即更换损坏的产品。
- ▶ 确保管道系统正确安装并定期检查。
- ▶ 在管道中安装阀门时，要遵守与管道系统相同的安全说明。

2.4 服务和操作人员须知

本操作说明书涉及以下目标群体：

操作人员

操作人员需接受产品操作的培训并遵守安全规定。

服务人员

服务人员接受专业的技术培训并负责安装、投运以及维护工作。

危险！

操作不当！

错误安装、投运或维护可能会造成人身伤害和财产损失，甚至会危害环境。

- ▶ 产品及配件的安装和投运仅由经过必要培训、拥有相关知识和经验的人员进行。
- ▶ 定期指导人员了解当地工作安全和环境保护法规的所有适用事项，特别是关于压力管道。

危险！

使用有害及未经批准的介质！

使用未经批准的具有化学腐蚀性或高温介质会造成材料腐蚀、人员伤害以及环境污染。

不接触介质的部件可能会由于阀门内部泄露而遭受腐蚀。

- ▶ 请遵守使用介质的安全数据表和相关安全规定。
- ▶ 检查阀门材料和介质的兼容性。
- ▶ 不使用未经批准的介质。
- ▶ 定期检查阀门的磨损情况，必要时进行维修。
- ▶ 穿戴适当的防护装备。
- ▶ 对于高温介质：仅在已冷却的设备上工作。
- ▶ 如果对于已批准介质有疑问，请联系 Georg Fischer 管道系统销售公司。

3 产品说明

3.1 常规使用

气动隔膜阀 DIASTAR 仅在具有兼容性的工业管道系统中安装并隔绝、传递或控制经批准介质的流动。仅允许在整个配件和所有部件的耐化学性范围内使用。

3.2 不按常规使用

除常规使用所述的用途外，任何其他用途都不符合预期，因此不允许使用。如果在安全应用中安装或使用不合适的产品，使用时可能会出现意外，造成人员伤害和财产损失。当产品文件中明确规定和允许时，才能在安全应用中使用该产品。Georg Fischer 管道系统股份公司对因使用不当造成的损失不承担任何责任。其风险仅由用户自己承担。

3.3 EC 符合性声明

制造商 Georg Fischer 管道系统股份公司，8201 沙夫豪森市（瑞士）声明，根据列出的一致性结构标准，下列机器是欧盟机械指令 2006/42/EC，附件 II A 的机器，并且符合适用的机械指令要求。该机器的技术文件是根据该指令附件 VII，A 部分制定，机器上的 CE 标志表明其一致性。此外，我们表明该机器符合欧盟其他相关指令。

产品组	类型名称	其他指令和一致性设计标准
气动隔膜阀	DIASTAR Six	• EN ISO 16138 • 2006/42/EC
	DIASTAR Ten	• 2014/68/EU
	DIASTAR TenPlus	• 2011/65/EU
	DIASTAR Sixteen	• EN ISO 12100 • EN 1349 • EN ISO 4414 • NE 19

沙夫豪森市，09.04.2024

Bastian Lübke

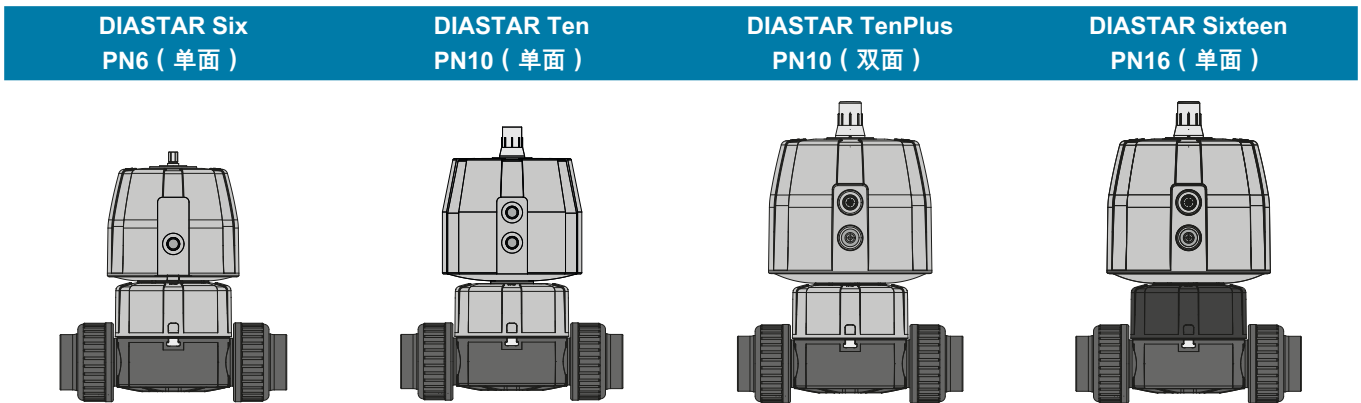
全球研发主管

Georg Fischer 管道系统有限公司

CH-8201 沙夫豪森市（瑞士）



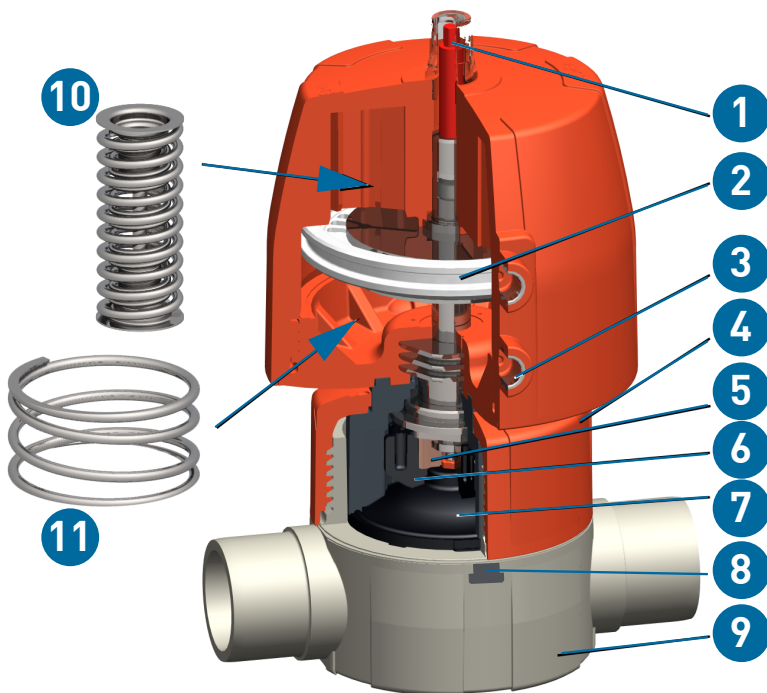
3.4 类型概览



3.5 构造与功能

3.5.1 构造

除连接处以外，四个阀体类型的阀门构造相同。



位置	名称
1	光学位置指示器
2	往复活塞
3	控制介质的连接
4	壳体螺母
5	隔膜支架
6	压力件
7	隔膜
8	摩擦锁
9	阀体
10	功能 FC 的预设弹簧叶片组
11	功能 FO 的弹簧

DA 功能无弹簧 (第 10 或 11 项)。

3.5.2 功能

功能 FC

静止状态下，阀门在弹力作用下关闭。当执行器受到压力（底部连接）时，阀门打开。释放压力，阀门在弹力作用下关闭。

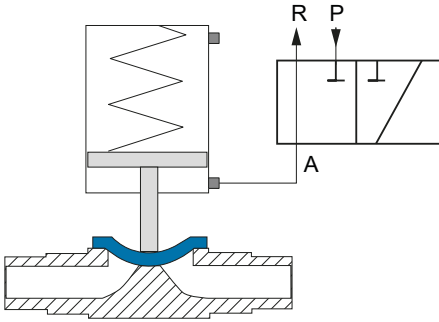
功能 FO

静止状态下，阀门在弹力作用下打开。当执行器受到压力（顶部连接）时，阀门关闭。释放压力，阀门在弹力作用下打开。

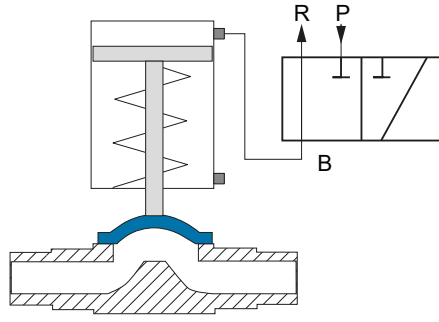
功能 DA

阀门未设定初始位置。通过在相应的连接处施加控制压力来打开和关闭阀门（顶部连接用于关闭，底部连接用于打开）。

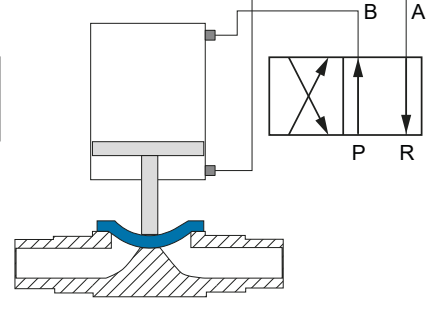
选择电磁阀和相关连接螺纹



功能 FC 带有用于底部连接的 3/2 先导式电磁阀



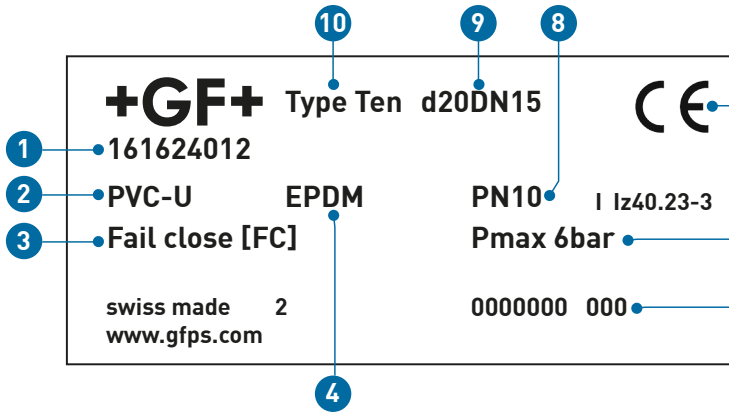
功能 FO 带有用于顶部连接的 3/2 先导式电磁阀



功能 DA 带有 4/2 或 5/2 先导式电磁阀。底部和顶部连接都使用。

3.6 识别

3.6.1 隔膜阀

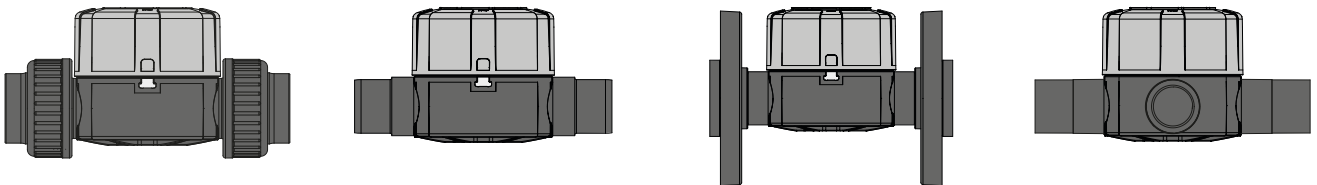


位置	名称
1	订单编号
2	阀体材料
3	功能原理
4	隔膜材料
5	系列号
6	最大控制压力
7	CE 标志和认证
8	公称压力
9	尺寸
10	DIASTAR 型号

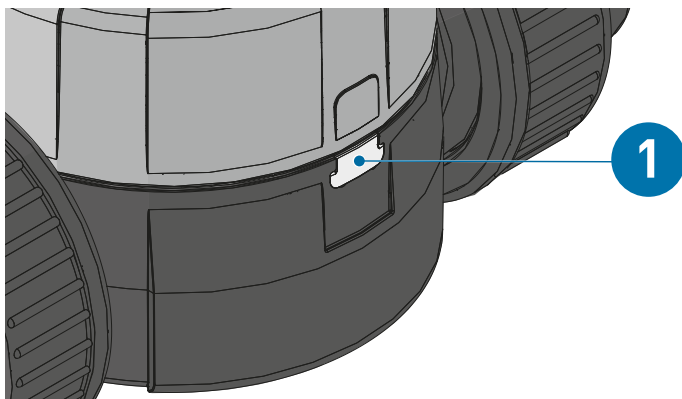
3.6.2 阀体

阀体适用于各种连接类型：

514 型号 径向可安装和可拆卸	515 型号 接头型号	517 型号 法兰型号	519 型号 排气阀
---------------------	----------------	----------------	---------------



3.6.3 隔膜材料识别特征



位置	名称
1	摩擦锁

阀体上摩擦锁的颜色表示隔膜的材料。

摩擦锁颜色	隔膜材料	O 形密封圈*
黑色	EPDM	EPDM
白色	PTFE/EPDM	FKM
绿色	PTFE/FKM	FKM
红色	FKM	FKM
蓝色	NBR	EPDM

*为 514 型号

3.7 技术参数

3.7.1 规格

























规格				
经批准的介质	正常模式下,不会对各自外壳和隔膜材料的物理及化学特性产生不利影响的液体和气体介质。您可以在 Georg Fischer 销售公司或网站 www.gfps.com 获得耐化学性的相关资料。			
尺寸	Typ Six	d20/DN15 – d63/DN50, 3/8" – 2"		
	Typ Ten	d20/DN15 – d63/DN50, 3/8" – 2"		
	Typ TenPlus	d20/DN15 – d63/DN50, 3/8" – 2"		
	Typ Sixteen	d20/DN15 – d63/DN50, 1/2" – 2"		
材料	阀体	Typ Six	PVC-U, PVC-C, ABS, PP-H	
		Typ Ten	PVC-U, PVC-C, ABS, PP-H, PP-N, PVDF, PVDF-HP	
		Typ TenPlus	PVC-U, PVC-C, ABS, PP-H, PP-N, PVDF, PVDF-HP	
		Typ Sixteen	PVC-U, PVC-C, ABS, PVDF, PVDF-HP	
	壳体螺母	PN10 的 PPGF30		
		PN16 的 PPSGF40 (仅在水中应用)		
	密封圈/隔膜 ¹⁾	Typ Six	EPDM, FKM	
		Typ Ten	EPDM, PTFE/EPDM, FKM, PTFE/FKM, NBR, FFKM	
		Typ TenPlus	EPDM, PTFE/EPDM, FKM, PTFE/FKM, NBR, FFKM	
		Typ Sixteen	EPDM, PTFE/EPDM, FKM, PTFE/FKM, NBR, FFKM	
	类型概览	Typ Six	公称压力: 6 bar	印刷介质: 单面
		Typ Ten	公称压力: 10 bar	印刷介质: 单面
Typ TenPlus		公称压力: 10 bar	印刷介质: 双面	
Typ Sixteen		公称压力: 16 bar	印刷介质: 单面	
运行温度 ²⁾ (阀体材料)	PVC-U	0 至 60 °C		
	PVC-C	0 至 80 °C		
	ABS	-30 至 60 °C		
	PP	0 至 80 °C		
	PVDF	-20 至 140 °C		
功能	Typ Six	FC		
	Typ Ten	FC, FO, DA		
	Typ TenPlus	FC		
	Typ Sixteen	FC, FO, DA		
驱动	气动			
连接处	514 型号	带粘接式套管、螺纹套管、焊接套管、热熔套管的螺栓连接		
	515 型号	粘接式接口、套接焊接接头、热熔套管		
	517 型号	固定法兰 ³⁾ , 背衬法兰		
	519 型号	带热熔套管的三通阀		
批准	ACS, FDA, DIBt, TA 气流, NAMSA			

¹⁾ 可根据要求提供更多组合方案。

²⁾ 根据数据表中的压力-温度示意图。根据密封材料的组合, 温度范围可能存在 偏差。

³⁾ 只有 JIS 型号。

3.7.2 DIASTAR 驱动器尺寸

DN	DIASTAR Six FC	DIASTAR Ten FC/FO/DA	DIASTAR Sixteen FC	DIASTAR Sixteen DA/FO
15	 1	 1	 2	 1
20	 2	 2	 2	 2
25	 2	 2	 3	 2
32	 3	 3	 4	 3
40	 3	 4	 5	 4
50	 3	 4	 5	 4

3.7.3 空气连接

	DIASTAR Six FC	DIASTAR Ten FC/FO/ DA	DIASTAR TenPlus FC	DIASTAR Sixteen FC
d20/DN15	G 1/8"	G 1/8"	G 1/8"	G 1/8"
d25/DN20	G 1/8"	G 1/8"	G 1/8"	G 1/8"
d32/DN25	G 1/8"	G 1/8"	G 1/8"	G 1/8"
d40/DN32	G 1/8"	G 1/8"	G 1/4"	G 1/4"
d50/DN40	G 1/8"	G 1/4"	G 1/4"	G 1/4"
d63/DN50	G 1/8"	G 1/4"	G 1/4"	G 1/4"

提示！

介质压力和弹簧叶片组之间的关系！

驱动器的关闭力根据规定的 PN 压力等级。在低压介质和极强的驱动力下操作，会导致隔膜受损程度增加，例如 DIASTAR Sixteen (FC) 只能在介质压力 > PN6 下使用。

- ▶ 减少弹簧叶片组的数量，可以延长低压介质的使用寿命。关于具体设计，请您联系 Georg Fischer 管道系统的负责人。

危险！

减少弹簧叶片组的数量！

减少弹簧叶片组可以削弱关闭力。通过增加介质压力，当弹簧叶片组缺少时，隔膜阀不会或不会完全关闭管道系统。这一过程可能会受到影响。

- ▶ 根据介质压力设计隔膜阀和弹簧叶片组。

3.7.4 控制压力

功能 FC	功能 FO	功能 DA
功能 FC 最大 6 bar；通过减少弹簧叶片组可以实现低控制压力。根据尺寸不同，参见压力等级表和控制压力图。	功能 FO 最大 5 bar。在尺寸 DN50 并且介质压力 >10 bar 时，最大控制压力为 6 bar。根据尺寸不同，参见压力等级表和控制压力图。	功能 DA 最大 5 bar。在尺寸 DN50 并且介质压力 >10 bar 时，最大控制压力为 6 bar。根据尺寸不同，参见压力等级表和控制压力图。
压缩空气等级 (ISO 8573-1) 在 -10°C 时为 2 或 3 级，在 T>0°C 时为 3 或 4 级	压缩空气等级 (ISO 8573-1) 在 -10°C 时为 2 或 3 级，在 T>0°C 时为 3 或 4 级	压缩空气等级 (ISO 8573-1) 在 -10°C 时为 2 或 3 级，在 T>0°C 时为 3 或 4 级
当介质压力超过 10 bar 后，必须通过排气对控制压力进行节流 (设置执行器的工作时间大约 3s)	当介质压力超过 10 bar 后，必须通过排气对控制介质进行节流 (设置执行器的工作时间大约 3s)	当介质压力超过 10 bar 后，必须通过排气对控制介质进行节流 (设置执行器的工作时间大约 3s)
控制介质的最高温度为 40°C	控制介质的最高温度为 40°C	控制介质的最高温度为 40°C
	根据介质压力不同，可以选择低控制压。	根据介质压力不同，可以选择低控制压。

提示：为了使配件达到最佳使用寿命，建议根据介质压力设置控制压力-参见控制压力图。


3.7.5 控制数额

	DIASTAR Six (FC)	DIASTAR Ten (FC)	DIASTAR Ten (FO)	DIASTAR Ten (DA)		DIASTAR TenPlus (FC)	DIASTAR Sixteen (FC)
	[dm³]	[dm³]	[dm³]	[dm³]	[dm³]	[dm³]	[dm³]
				close	open		
20DN15	0.04	0.04	0.07	0.07	0.04	0.10	0.10
25DN20	0.12	0.12	0.20	0.20	0.12	0.12	0.12
32DN25	0.12	0.12	0.23	0.23	0.12	0.22	0.22
40DN32	0.24	0.24	0.44	0.44	0.24	0.40	0.40
50DN40	0.24	0.42	0.86	0.86	0.42	0.70	0.70
63DN50	0.24	0.44	0.86	0.86	0.44	0.80	0.80

3.7.6 压力等级



DIASTAR Six FC

阀体材料	PVC-U, PVC-C, ABS, PP-H, PP-N	
	压力等级 [bar]	最大控制压力 ²⁾ [bar]
DN	EPDM ¹⁾	
20DN15	6	2.6
25DN20	6	3.8
32DN25	6	3.8
40DN32	6	3.8
50DN40	6	3.8
63DN50	6	5.5

介质压力  单侧



DIASTAR Ten FC

阀体材料	PVC-U, PVC-C, ABS, PP-H, PVDF, PVDF-HP, PP-N		
	压力等级 [bar]		最大控制压力 ²⁾ [bar]
DN	EPDM ¹⁾	PTFE	
20DN15	10	10/6*	5.4
25DN20	10	10/6*	5.4
32DN25	10	10/6*	5.4
40DN32	10	10/6*	5.4
50DN40	10	10/6*	5.4
63DN50	10	6/5	5.4

介质压力  单侧  单侧

DIASTAR Ten FO/DA

阀体材料	PVC-U, PVC-C, ABS, PP-H, PVDF, PVDF-HP, PP-N			
	压力等级 [bar]		最大控制压力 ³⁾ [bar]	
DN	EPDM ¹⁾	PTFE	EPDM ¹⁾	PTFE
20DN15	10	10/6*	4.5	3.5
25DN20	10	10/6*	4.5	3
32DN25	10	10/6*	4.5	3.5
40DN32	10	10/6*	4.5	3.5
50DN40	10	10/6*	3.5	3.5
63DN50	10	10/6*	3.5	4.5

介质压力  单侧  单侧


*两侧均受到介质压力的情况下。

¹⁾ 适用于如 FKM、NBR 等其他弹性体膜片。


²⁾ 在 0 bar 介质压力下。

³⁾ 在 10 bar 介质压力下。

DIASTAR TenPlus FC

阀体材料	PVC-U, PVC-C, ABS, P-H, PVDF, PVDF-HP		最大控制压力 ²⁾ [bar]
	压力等级 [bar]		
DN	EPDM ¹⁾	PTFE	
20DN15	10	10	5.4
25DN20	10	10	5.4
32DN25	10	10	5.4
40DN32	10	10	5.4
50DN40	10	10	5.4
63DN50	10	10	5.4
介质压力			
	双侧	双侧	

DIASTAR Sixteen FC

阀体材料	PVC-U, PVDF, PVDF-HP		最大控制压力 ²⁾ [bar]
	压力等级 [bar]		
DN	EPDM ¹⁾	PTFE	
20DN15	16	16	5.5
25DN20	16	16	5.5
32DN25	16	16	5.5
40DN32	16	16	5.5
50DN40	16	16	5.5
63DN50	16	10	5.5
介质压力			
	单侧	单侧	

¹⁾ 适用于如 FKM、NBR 等其他弹性体膜片。

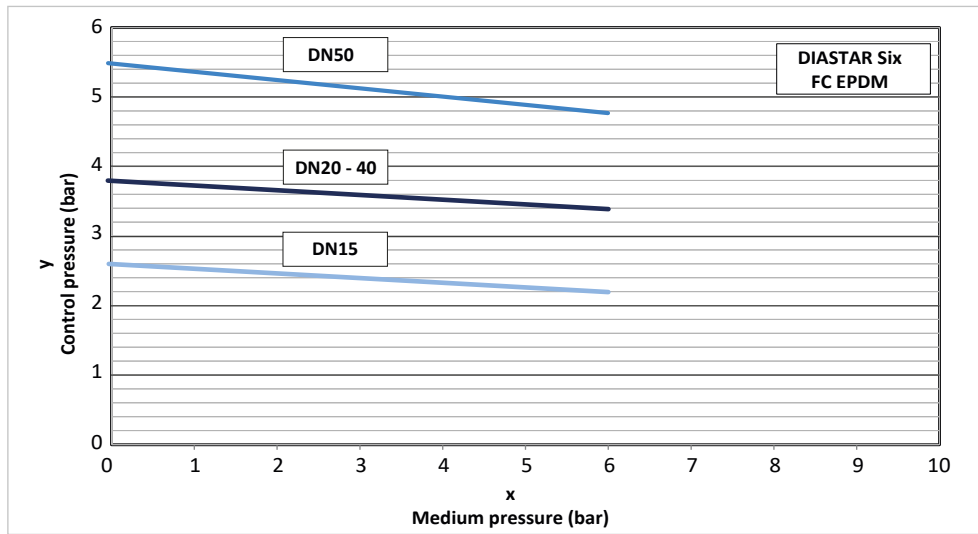
²⁾ 在 0 bar 介质压力下。

提示：为了使配件达到最佳使用寿命，建议根据介质压力设置控制压力-参见控制压力图。PS 控制压力随公称直径 DN、隔膜材料和功能不同而变化。

如果设备上使用不同的控制压力，建议使用压力调节阀。关于具体设计，请您联系 Georg Fischer 管道系统的负责人。

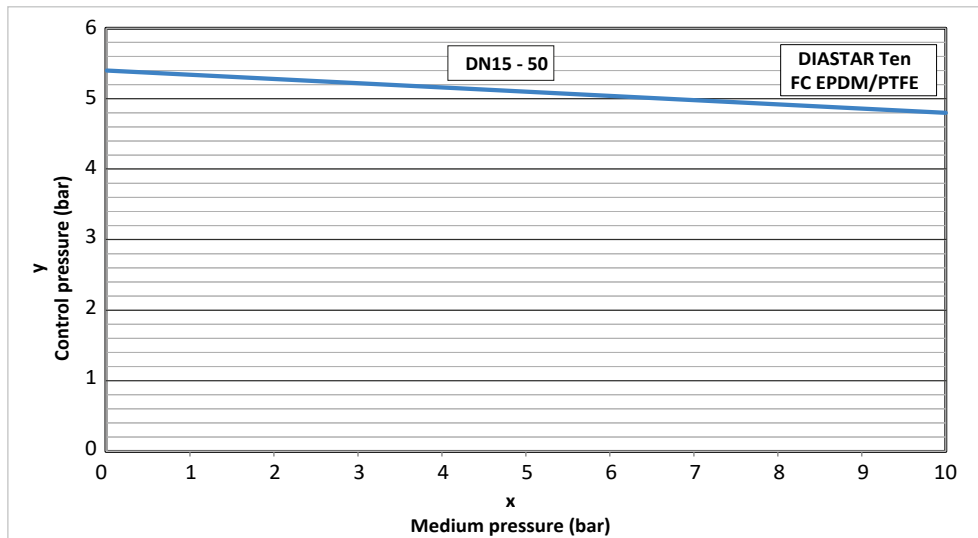
3.7.7 控制压力图

带有 EPDM* 隔膜的 DIASTAR Six FC



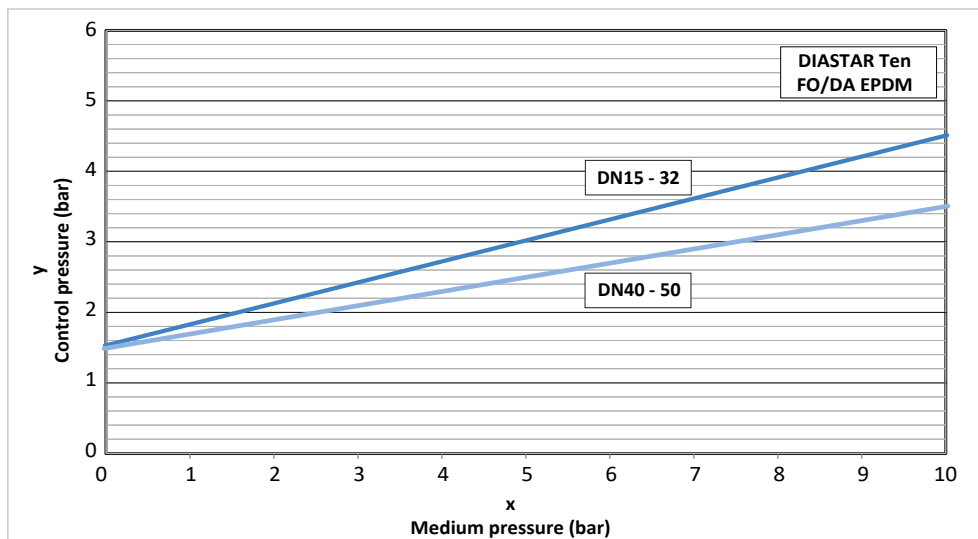
x 介质压力
y 控制压力

带有 EPDM* 或 PTFE 隔膜的 DIASTAR Ten FC



x 介质压力
y 控制压力

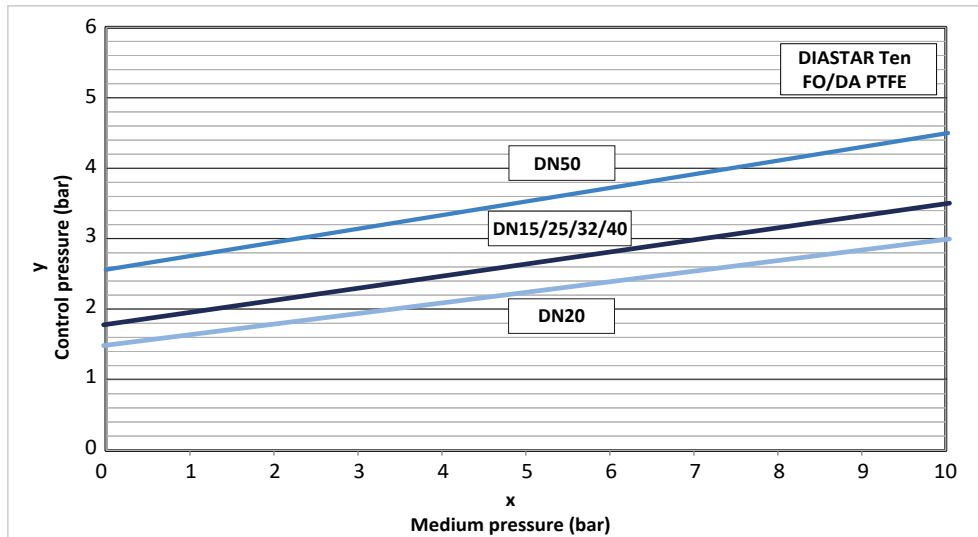
带有 EPDM* 隔膜的 DIASTAR Ten FO 和 DA



x 介质压力
y 控制压力

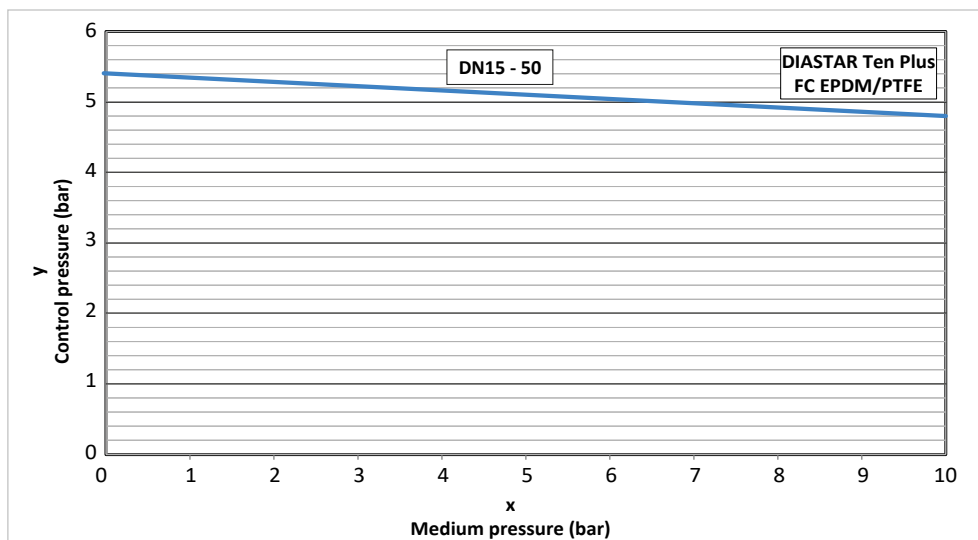
* 适用于如 FKM、NBR 等其他弹性体隔膜。

带有 PTFE 隔膜的 DIASTAR Ten FO 和 DA



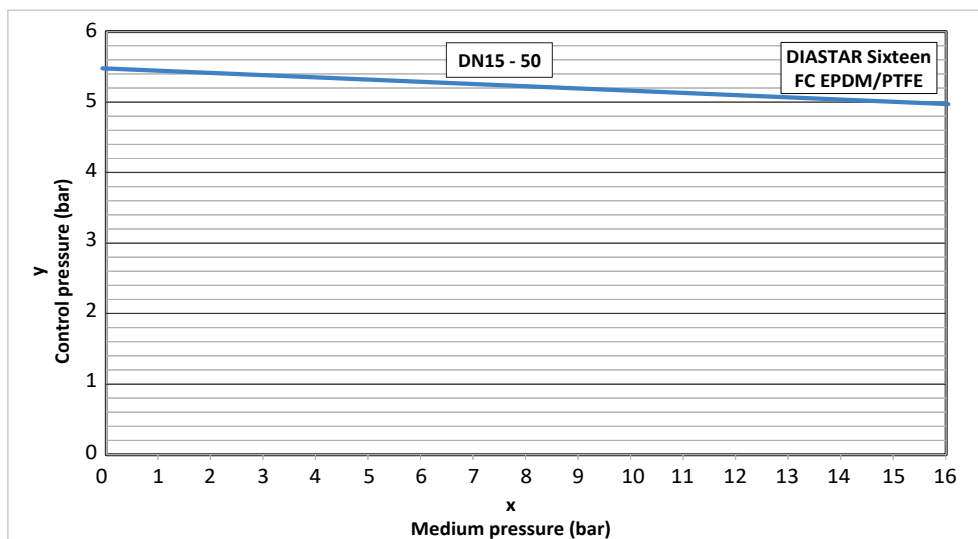
x 介质压力
y 控制压力

带有 EPDM* 或 PTFE 隔膜的 DIASTAR TenPlus FC



x 介质压力
y 控制压力

带有 EPDM* 或 PTFE 隔膜的 DIASTAR Sixteen FC



x 介质压力
y 控制压力

* 适用于如 FKM、NBR等其他弹性体隔膜。

3.7.8 100 千伏值

型号 514 至 517

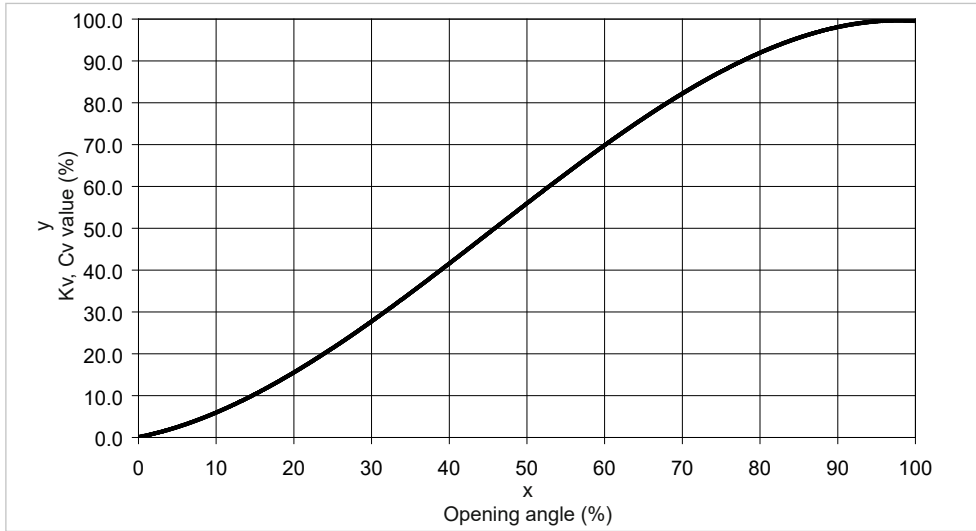
d (mm)	DN (mm)	英寸 (")	Kv 100 (l/min)	Cv 100 (US gal./ min)	kv 100 (m ³ /h)
20	15	½	125	9	8
25	20	¾	271	19	16
32	25	1	481	33	29
40	32	1 ¼	759	52	45
50	40	1 ½	1263	87	76
63	50	2	1728	119	104

519 型号

d (mm)	DN (mm)	英寸 (")	Kv 100 (l/min)	Cv 100 (US gal./ min)	kv 100 (m ³ /h)
20	15	½	57	4	3
25	20	¾	89	6	5
25	20	¾	118	8	7
32	25	1	80	6	5
32	25	1	105	7	6
32	25	1	231	16	14
40	32	1 ¼	85	6	5
40	32	1 ¼	119	8	7
40	32	1 ¼	153	11	9
40	32	1 ¼	187	13	11
50	40	1 ½	86	6	5
50	40	1 ½	160	11	10
50	40	1 ½	206	14	12
50	40	1 ½	524	36	31
50	40	1 ½	667	46	40
63	50	2	84	6	5
63	50	2	150	11	9
63	50	2	184	13	11
63	50	2	471	32	28
63	50	2	610	42	37
63	50	2	747	52	45
90	80	3	82	6	5
90	80	3	103	7	6
90	80	3	129	9	8
90	80	3	623	43	37
90	80	3	696	48	42
110	100	4	78	5	4
110	100	4	103	7	6
110	100	4	131	9	8
110	100	4	604	42	36
110	100	4	661	46	40
140	125	5	146	10	9
140	125	5	382	26	23
140	125	5	440	30	26
140	125	5	502	35	30
160	150	6	139	10	8
160	150	6	382	26	23
160	150	6	436	30	26
160	150	6	498	34	30

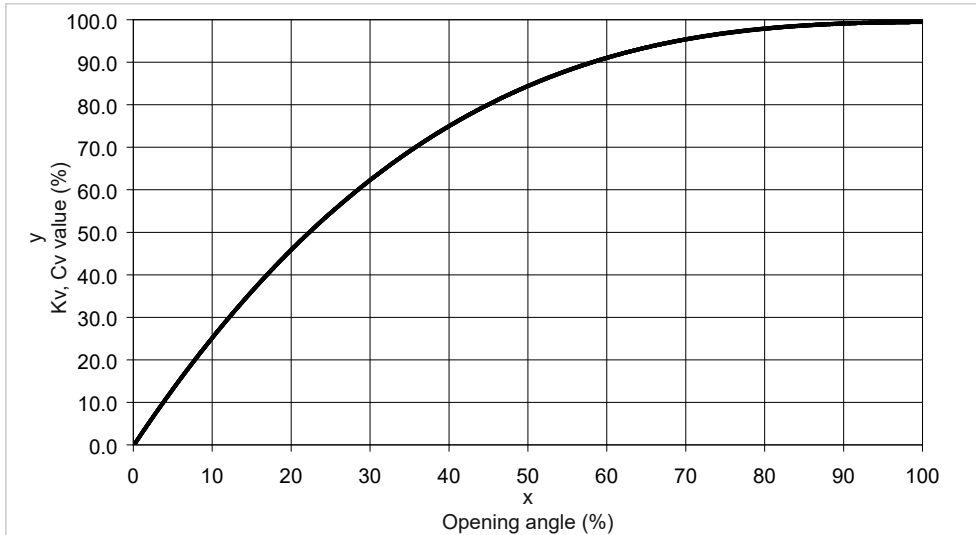
3.7.9 流量

型号 514至 517 的流量特征



x 打开角度 (%)
y kv, Cv 值 (%)

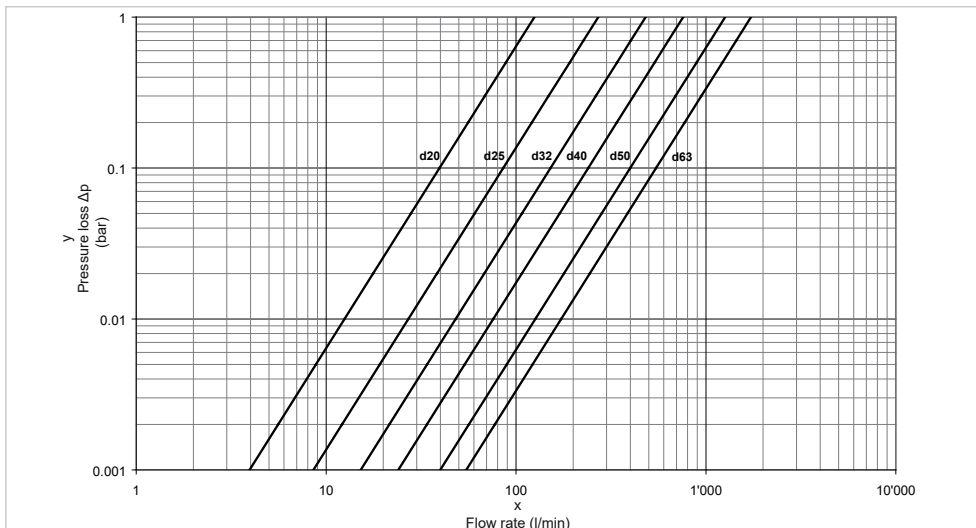
519 型号的流量特征



x 打开角度 (%)
y kv, Cv 值 (%)

3.7.10 压力损失

型号 514 至 517



x 流量
(l/min)
y 压力损失 Δp
(bar)

4 安装

4.1 准备工作

危险！

阀门不适合使用！

该阀门具有产品特定的性能、安装尺寸和连接方式。使用不合适的阀门可能会导致人身伤害和财产损失，甚至会危害环境。

- ▶ 检查阀门材料和介质的兼容性。
- ▶ 根据铭牌，匹配管道系统的尺寸和阀门。
- ▶ 确保压力等级、连接方式和连接维度符合使用条件。

危险！

介质不受控泄露！

如果管道中的压力没有完全释放，介质会不受控制地泄露出去。介质类型不同，存在受伤的风险。

- ▶ 开启管道之前，要将其中的压力完全释放。
- ▶ 如果存在有害、易燃、高温或易爆炸的介质，在释放压力前要将管道完全排空并清洗干净。此外，必须注意是否存在残留物。
- ▶ 通过相应的措施（如连接收集器），确保介质的安全收集。
- ▶ 在阀门位于半开位置时，将阀门竖直排空并收集介质。
- ▶ 虽然已进行排空，但阀门内仍可能存在有害介质残留物。
- ▶ 穿戴适当的防护装备。

提示！

错误储存和运输！

处理不当可能会削弱产品的功能特性和质量。

- ▶ 在原包装中储存和运输。
- ▶ 防止如光、灰尘、高温、潮湿、紫外线辐射和机械影响等有害物理影响。
- ▶ 在开放位置储存（供货状态）。
- ▶ 安装前检查有无损坏。
- ▶ 安装前不要从原包装中取出。
- ▶ 不得安装具有明显故障的阀门。

4.2 安装过程

- ▶ 始终在开放位置安装阀门。

危险！

使用有害及未经批准的介质！

使用未经批准的具有化学腐蚀性或高温介质会造成材料腐蚀、人员伤害以及环境污染。
不接触介质的部件可能会由于阀门内部泄露而遭受腐蚀。

- ▶ 请遵守使用介质的安全数据表和相关安全规定。
- ▶ 检查阀门材料和介质的兼容性。
- ▶ 不使用未经批准的介质。
- ▶ 定期检查阀门的磨损情况，必要时进行维修。
- ▶ 穿戴适当的防护装备。
- ▶ 对于高温介质：仅在已冷却的设备上工作。
- ▶ 如果对于已批准介质有疑问，请联系 Georg Fischer 管道系统销售公司。

小心！

管道系统中的热膨胀力！

如果在温度变化时阻止热膨胀，会导致轴向力和弯曲力。可能会损坏管道系统和阀门。

- ▶ 确保通过阀门前后合适的固定点吸收力。

小心！

管道未对齐！

由于管道系统的张力引起的泄露，会导致人身伤害和/或财产损失。

- ▶ 确保阀门和管道相互对齐。

4.2.1 径向可安装和可拆卸阀门

所有材料均使用型号 514 的阀体

12. 拧开联管螺母并移动至指定的管道终端。
13. 根据类型，将连接部件粘接、拧入或焊接到管道终端（参见 Georg Fischer 规划基础行业粘接/焊接连接）。
14. 将隔膜阀置于连接部件之间。
15. 用手拧紧联管螺母。

警告！

仅用手将联管螺母拧紧至 DN50！

由于联管螺母过紧或有缺陷引起的液体泄漏，会导致人身伤害和/或财产损失。

- ▶ 不使用辅助工具，仅用手将联管螺母拧紧至 DN50。
- ▶ 根据技术文件中指定的紧固扭矩，用带式扳手从 DN50 拧紧联管螺母。

4.2.2 粘接连接

PVC-U, PVC-C 和 ABS - 514、515型号阀体

仅连接相同的材料。固化时间结束后，用水无压地清洗管道部分（参见 Georg Fischer 规划基础行业中“连接技术”这一章）。

警告！

不相容材料的连接！

由于各种互不相容材料的连接引起的管道系统泄漏，会导致人身伤害和/或财产损失。

- ▶ 只有相同的材料才能通过焊接和粘接互相连接。
- ▶ 粘接完成后，必须尽快用水无压清洗带有粘接部分的管道。

4.2.3 焊接连接

PP-H, PP-N, PVDF, PVDF-HP - 阀体型号 514, 515, 519

仅连接相同的材料（参见 Georg Fischer 规划基础行业“连接技术”这一章）。

警告！

不相容材料的连接！

由于各种互不相容材料的连接引起的管道系统泄漏，会导致人身伤害和/或财产损失。

- ▶ 只有相同的材料才能通过焊接和粘接互相连接。

4.2.4 法兰连接

所有材料均使用型号 517 的阀体

螺丝的紧固力矩参见 Georg Fischer 规划基础行业。

小心！

法兰连接泄漏！

由于管道系统泄露，会导致人身伤害和/或财产损失。

- ▶ 定期检查有无介质泄漏到外面。
- ▶ 如果介质在法兰连接处有泄漏，需要重新拧紧。

小心！

污染了的密封表面！

由于连接处泄漏，与介质接触有受伤的风险。

- ▶ 保护密封表面和连接部件不受损坏和污染，尤其是不受坚硬或锋利的颗粒影响。

4.3 改变控制压力的连接位置

控制压力的连接处可以定位 90°，以便对准管道系统。

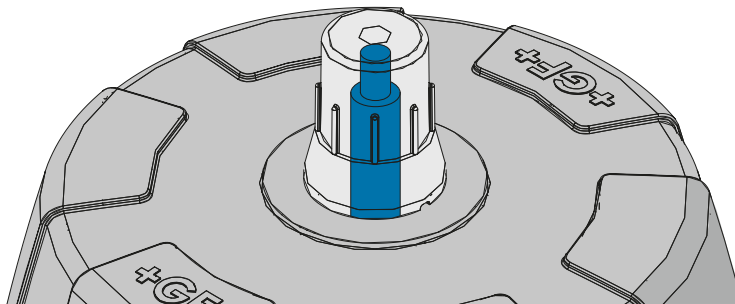
⚠危险！

介质不受控泄露！

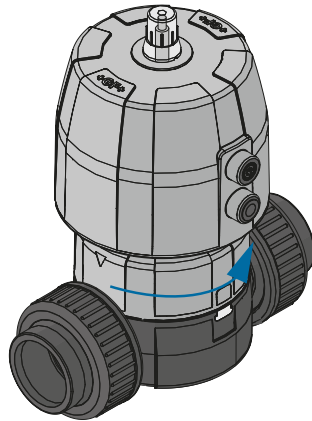
如果管道中的压力没有完全释放，介质会不受控制地泄露出去。介质类型不同，存在受伤的风险。

- ▶ 开启管道之前，要将其中的压力完全释放。
- ▶ 如果存在有害、易燃、高温或易爆炸的介质，在释放压力前要将管道完全排空并清洗干净。此外，必须注意是否存在残留物。
- ▶ 通过相应的措施（如连接收集器），确保介质的安全收集。
- ▶ 在阀门位于半开位置时，将阀门竖直排空并收集介质。
- ▶ 虽然已进行排空，但阀门内仍可能存在有害介质残留物。
- ▶ 穿戴适当的防护装备。

1. 确保隔膜阀已减压并完全清空。液位传感器和压力传感器显示“0”。
2. 将驱动器移至“打开”位置。位置指示器位于顶部。



3. 用带式扳手拧紧壳体螺母。



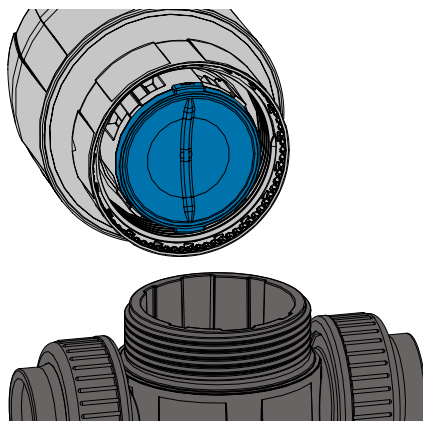
⚠小心！

壳体螺母工具错误！

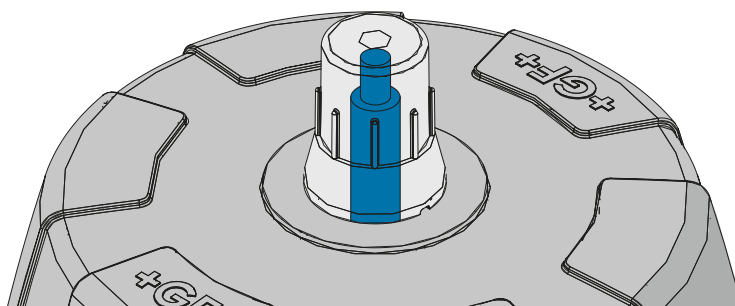
使用不兼容的工具会损坏壳体螺母。泄漏的介质会造成人身伤害和财产损失。

- ▶ 仅用带式扳手和钩形扳手打开和关闭壳体螺母。

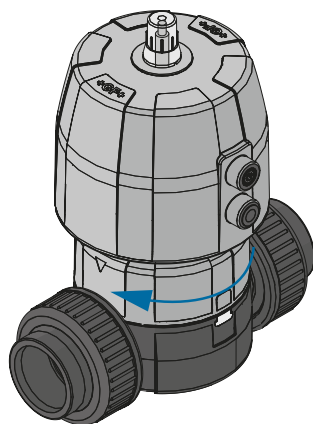
4. 驱动器转动 90°。
5. 将隔膜与密封条平行对齐。将隔膜的吊环准确放在内壳的窄导脊之间。提示：隔膜在关闭»位置能够更好对齐。



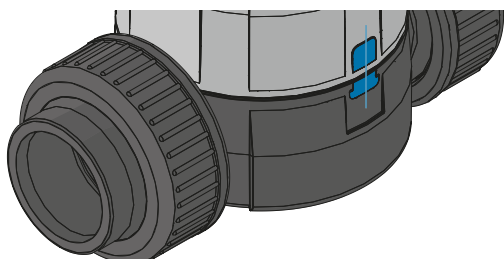
6. 将驱动器移至“打开”位置。位置指示器位于顶部。



7. 将驱动器置于阀体上，并手动拧紧壳体螺母。隔膜居中。



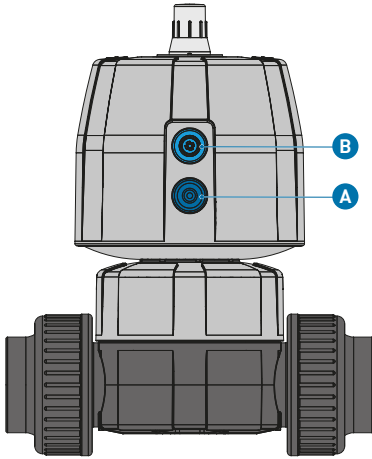
8. 带有带式扳手和专用工具拧紧壳体螺母，直到...
 - 阀体和壳体螺母之间间隙为 0.5mm 至 1mm...
 - 壳体螺母上的对齐标志对准摩擦锁。



提示：对于装有冲程限制的阀门，建议在重新组装之后再调整阀门。

4.4 连接控制压力

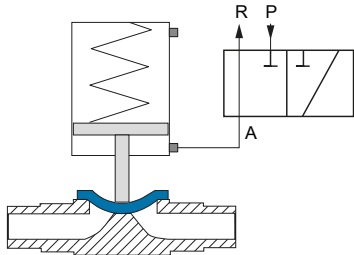
	FC	FO	DA
B 关闭		X	X
A 打开	X		X



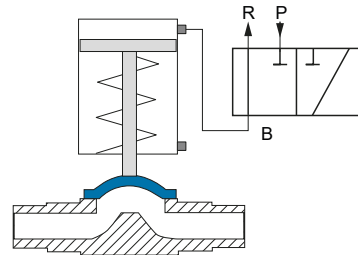
控制空气连接
G 1/8" 或 G 1/4"

4.4.1 具有 FC / FO 功能的隔膜阀

具有 FC 功能的隔膜阀

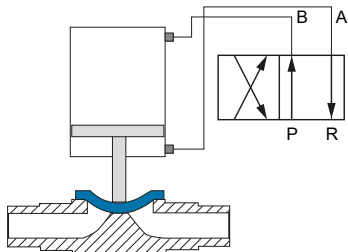


具有 FO 功能的隔膜阀



- ▶ 使用 3/2 压力先导阀 (例如 PV94 或 MNL532)。
- ▶ 根据需要，用一个空心螺钉将控制压力直接连接到执行器，或通过多个连接板和阀门终端远程连接。

4.4.2 具有 DA 功能的隔膜阀



- ▶ 使用 4/2 或 5/2 压力先导阀 (例如 MNL532 或 5470)。
- ▶ 根据需要，用一个 Namur 接线板将控制压力直接连接到执行器，或通过阀门终端远程连接。

5 投入运行

5.1 准备工作

1. 检查是否正常工作：关闭阀门并重新打开。
2. 清洗管道系统。

5.2 压力测试

阀门的压力测试与管道适用相同的说明（参见 Georg Fischer 规划基础行业中“加工和安装”这一章）。

1. 确保所有阀门处于所需的打开位置或关闭位置。
2. 当介质压力超过 10 bar 后，必须通过排气对控制介质进行节流并设置执行器的工作时间大约 3s。
3. 在管路系统中填充测试介质并小心排出。
4. 建立测试压力。
5. 压力测试期间，检查阀门和连接处是否密封。
6. 密封测试成功后，移去测试介质。
7. 记录结果。

危险！

管道系统泄漏！

由于连接处密封性较差，可能会导致介质泄漏、造成人身伤害和财产损失，甚至会危害环境。

- ▶ 投入运行前检查连接处的密封性。
- ▶ 定期检查有无介质泄漏到外面。
- ▶ 穿戴适当的防护装备。

危险！

压力过大！

超过允许的最大压力会损坏管道系统，可能会导致介质泄漏、造成人身伤害和财产损失，甚至会危害环境。

- ▶ 管道系统中 PN 值最低的部件决定了该部分所允许的最大测试压力。
- ▶ 采取措施，防止压力剧增。
- ▶ 穿戴适当的防护装备。

请注意！

最大允许的测试压力！

对于阀门在打开位置的压力测试，适用与管道相同的说明（最大 $1.5 \times PN$ ，最大 $PN + 5 \text{ bar}$ ），但关闭位置的测试压力不得超过最大 $1.1 \times PN$ 。 $1.1 \times PN$ 。

- ▶ 详细情况请见乔治费歇尔规划指南。
- ▶ 泄漏测试成功后：移除测试介质。
- ▶ 记录结果。

6 正常模式

6.1 运行期间的措施

危险！

使用有害及未经批准的介质！

使用未经批准的具有化学腐蚀性或高温介质会造成材料腐蚀、人员伤害以及环境污染。

不接触介质的部件可能会由于阀门内部泄露而遭受腐蚀。

- ▶ 请遵守使用介质的安全数据表和相关安全规定。
- ▶ 检查阀门材料和介质的兼容性。
- ▶ 不使用未经批准的介质。
- ▶ 定期检查阀门的磨损情况，必要时进行维修。
- ▶ 穿戴适当的防护装备。
- ▶ 对于高温介质：仅在已冷却的设备上工作。
- ▶ 如果对于已批准介质有疑问，请联系 Georg Fischer 管道系统销售公司。

危险！

使用有害及易扩散的介质！

高腐蚀性化学介质会造成材料腐蚀、人员伤害以及环境污染。未接触介质的部件可能会受到泄漏和扩散的影响，导致壳体螺母裂开。

- ▶ 对于有危险性和扩散性介质的应用，建议联系负责的GF代表。
- ▶ 建议定期对隔膜阀的所有部件进行外观检查。为此，必须将阀门完全排空，卸下，并拆开。
- ▶ 佩戴合适的防护设备。

危险！

将阀门作为具有危险介质的端阀进行操作！

当阀门作为端阀使用时，腐蚀性介质可能会不受控制地泄漏，造成人身伤害和财产损失以及环境污染。

- ▶ 阀门开启前，对管道系统进行减压。
- ▶ 只有当能安全收集和排出介质时，才可将阀门作为端阀开启。
- ▶ 穿戴适当的防护装备。

危险！

管道系统泄漏！

由于连接处密封性较差，可能会导致介质泄漏、造成人身伤害和财产损失，甚至会危害环境。

- ▶ 投入运行前检查连接处的密封性。
- ▶ 定期检查有无介质泄漏到外面。
- ▶ 穿戴适当的防护装备。

提示！

避免气穴现象！

气穴现象会损坏隔膜阀中的部件。

- ▶ 仅在最佳控制模式下使用阀门。

提示！

阀门已卡住！

持续处于相同位置的阀门可能随着时间而被卡住。

- ▶ 每年至少操作 1 至 2 次，检查其是否正常运行。

7 维修

7.1 维修计划

间隔	维修任务
定期执行	▶ 检查顶部部件和阀体间连接处是否泄漏。
每年 1-2 次	▶ 连续打开或关闭隔膜阀，检查是否正常工作。
100,000 次启闭以及在下述工作条件下	▶ 检查阀体。
· DIASTAR Ten/ TenPlus：在 20°C 下和水中，公称压力小于 10 bar	▶ 拆卸驱动器并检查隔膜是否损坏。
· DIASTAR Six：在 20°C 下和水中，公称压力小于 6 bar	▶ 更换损坏的隔膜。*
50,000 次启闭以及在下述工作条件下	▶ 检查阀体。
· 在 20°C 下和水中，公称压力大于 10 bar	▶ 拆卸驱动器并检查隔膜是否损坏。
· DIASTAR Sixteen	▶ 更换损坏的隔膜。*

* 由 PTFE (PTFE/EPDM ; PTFE/FKM) 制成的隔膜必须在拆卸后更换。

▶ 在存在偏差的操作条件下 (如高温、介质受损)，建议进行更频繁的检查。

警告！

定期检查磨损情况！

操作中与介质接触的部件会受到磨损。频繁地移动位置或使用具有化学腐蚀性和污染性的介质，会导致维修更加频繁。

- ▶ 根据使用条件和潜在危险对阀门的外观和功能进行定期检查，防止泄漏和损坏。
- ▶ 在适当的时间间隔内拆卸阀门并检查阀门内部是否磨损。
- ▶ 根据阀门的操作条件和产生的重量来调整其维修频率。
- ▶ 阀门内部磨损的部件应立即更换。
- ▶ 穿戴适当的防护装备。

警告！

密封圈泄漏！

由于密封圈损坏、老化或润滑不当造成介质泄漏，有受伤的风险。

- ▶ 将密封圈尽可能存放在阴凉 (室温)、干燥和黑暗中。
- ▶ 安装密封圈前，检查是否存在老化损坏的情况，如裂缝和硬化。
- ▶ 定期检查损坏情况，必要时更换密封圈。
- ▶ 用硅酮或多元醇基润滑脂对密封圈进行润滑。不要使用矿物油基润滑剂或凡士林 (矿脂)。
- ▶ 遵守制造商对油漆兼容阀门 (LABS 清洁) 的特殊说明。

危险！

不要润滑壳体螺母！

使用润滑剂，特别是在非结晶态塑料上使用，会导致阀体出现应力开裂。这可能会接触到有害介质。不再保障阀门的功能。

- ▶ 不要在壳体螺母和阀体的螺纹连接处使用润滑剂。

7.2 清除和拆卸

危险！

介质不受控泄露！

如果管道中的压力没有完全释放，介质会不受控制地泄露出去。介质类型不同，存在受伤的风险。

- ▶ 开启管道之前，要将其中的压力完全释放。
- ▶ 如果存在有害、易燃、高温或易爆炸的介质，在释放压力前要将管道完全排空并清洗干净。此外，必须注意是否存在残留物。
- ▶ 通过相应的措施（如连接收集器），确保介质的安全收集。
- ▶ 在阀门位于半开位置时，将阀门竖直排空并收集介质。
- ▶ 虽然已进行排空，但阀门内仍可能存在有害介质残留物。
- ▶ 穿戴适当的防护装备。

危险！

使用有害及未经批准的介质！

使用未经批准的具有化学腐蚀性或高温介质会造成材料腐蚀、人员伤害以及环境污染。

不接触介质的部件可能会由于阀门内部泄露而遭受腐蚀。

- ▶ 请遵守使用介质的安全数据表和相关安全规定。
- ▶ 检查阀门材料和介质的兼容性。
- ▶ 不使用未经批准的介质。
- ▶ 定期检查阀门的磨损情况，必要时进行维修。
- ▶ 穿戴适当的防护装备。
- ▶ 对于高温介质：仅在已冷却的设备上工作。
- ▶ 如果对于已批准介质有疑问，请联系 Georg Fischer 管道系统销售公司。

7.3 更换隔膜

隔膜的更换频率取决于操作周期的数量和所用的介质。通过对上部的专业拆卸对隔膜进行检查。

⚠提示！

隔膜易磨损！

大量使用导致磨损程度增加，必须频繁进行更换。如果隔膜受损或发生泄露可能造成人员伤亡及财产损失。

- ▶ 根据使用程度定期检查隔膜和密封圈，必要时进行更换。
- ▶ 按铭牌参数仅更换与阀门兼容的隔膜。

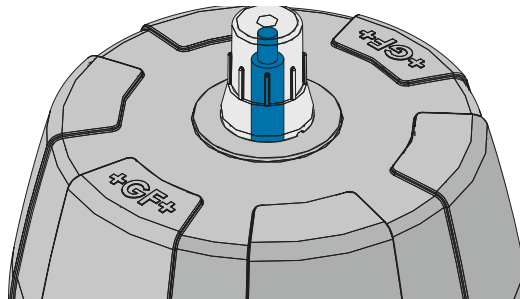
⚠小心！

更换整个隔膜组！

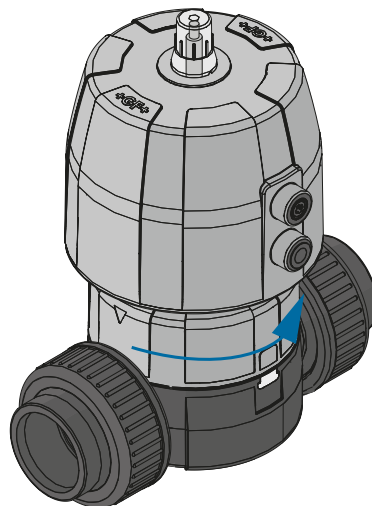
如果使用带有 EPDM 或 FKM 的 PTFE 隔膜，则必须更换这两个隔膜。

- ▶ 确保这两个隔膜都已更换。

1. 减压并排空管道。确保隔膜阀已减压并完全清空。液位传感器和压力传感器显示“0”。
2. 将驱动器移至“打开”位置。位置指示器位于顶部。



3. 使用带式扳手（单独购买）小心拧下壳体螺母。



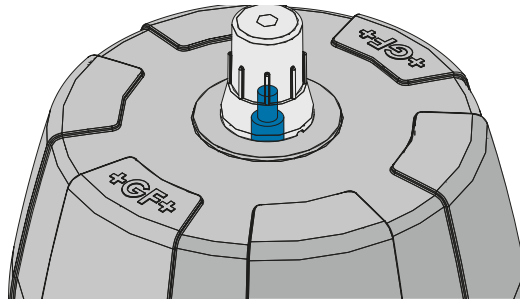
⚠小心！

壳体螺母工具错误！

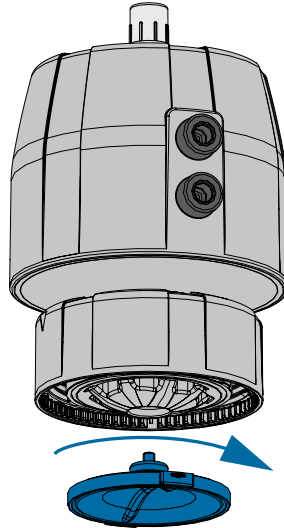
使用不兼容的工具会损坏壳体螺母。泄漏的介质会造成人身伤害和财产损失。

- ▶ 仅用带式扳手和钩形扳手打开和关闭壳体螺母。

4. 将阀门移至“关闭”位置。



5. 从壳体上拆卸隔膜：握紧驱动器并逆时针旋转隔膜。



6. 新隔膜安装在与旧隔膜相同的位置。

- ▶ 刚开始旋转时，将驱动器摆正，以便隔膜支架夹住隔膜的螺纹销钉。
- ▶ 顺时针手动拧入隔膜。
- ▶ 重新旋转隔膜最少 90°/最大 360°。重新调整隔膜的密封珠，使其平行于密封条。隔膜的吊环必须准确置于内壳体的狭窄导槽上。

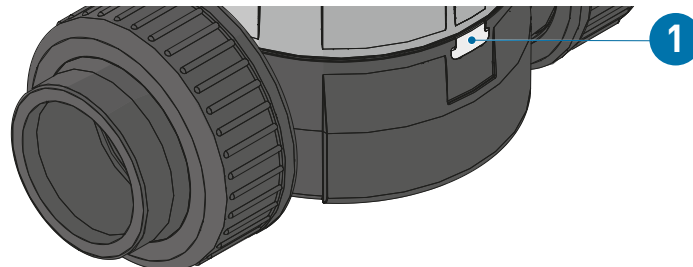
⚠警告！

隔膜旋拧错误！

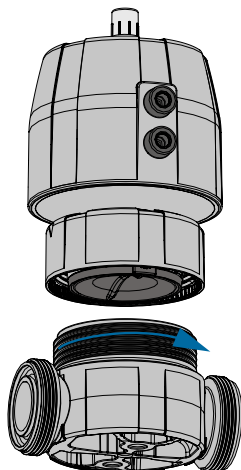
如果隔膜未按规定正确拧入内壳，可能会导致泄漏和材料损坏。不再保障阀门的功能。

- ▶ 将隔膜正确拧入内壳。

7. 如果更换隔膜材料：用螺丝刀拧松并取下阀体上的摩擦锁 (1)。按下新摩擦锁。



8. 将带有壳体螺母的驱动器置于阀体上并定位：隔膜贯通珠与密封条平行对齐。



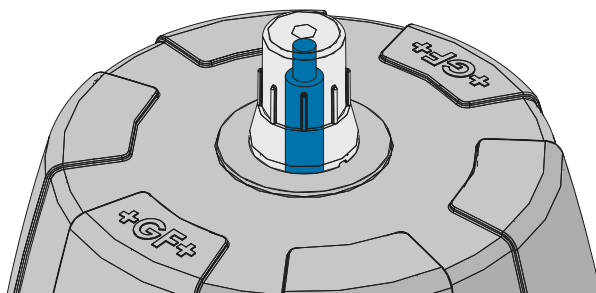
⚠ 危险！

不要润滑壳体螺母！

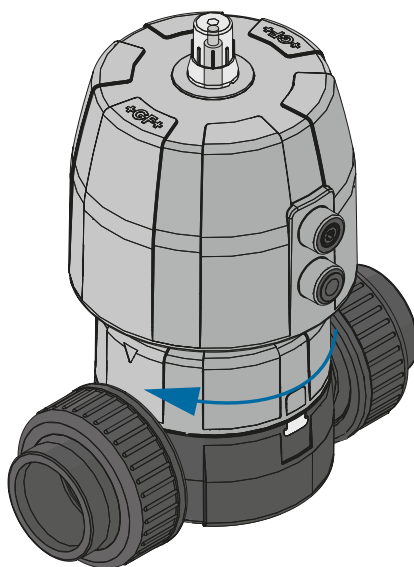
使用润滑剂，特别是在非结晶态塑料上使用，会导致阀体出现应力开裂。这可能会接触到有害介质。不再保障阀门的功能。

- ▶ 不要在壳体螺母和阀体的螺纹连接处使用润滑剂。

9. 将驱动器移至“打开”位置。位置指示器位于顶部。

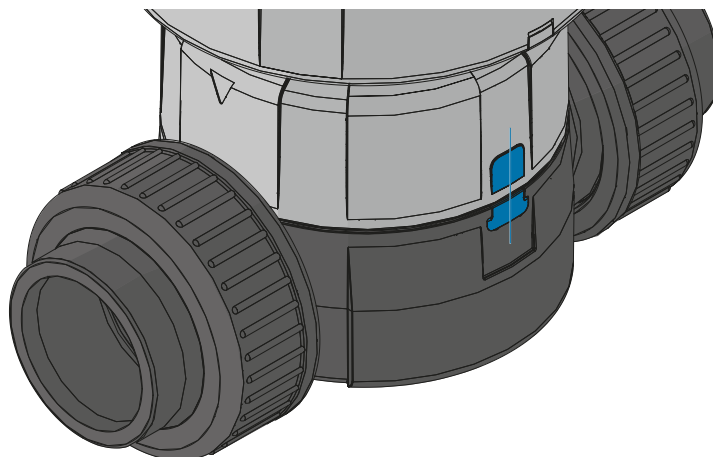


10. 手动拧紧壳体螺母。隔膜居中。



11. 带有带式扳手和专用工具拧紧壳体螺母，直到...

- 阀体和壳体螺母之间间隙为 0.5mm 至 1mm...
- 壳体螺母上的半圆指示器对准阀体上的摩擦锁。



提示：对于装有冲程限制的阀门，建议在重新组装之后再调整阀门。

8 故障排除

故障	可能的原因	故障排除
法兰连接处向外泄露	温度变化 有缺陷的密封圈	▶ 拧紧连接处，必要时更换密封圈。 ▶ 更换密封圈。
联管螺母向外泄露	联管螺母和阀体的连接处松动 有缺陷的密封圈	▶ 手动拧紧连接处。 ▶ 更换密封圈。
阀体和壳体螺母连接处泄露	壳体螺母未正确拧紧 隔膜受损 阀体存在缺陷 隔膜未正确安装/对齐	▶ 拧紧壳体螺母。 ▶ 更换隔膜。 ▶ 检查阀体的受损情况，必要时更换。 ▶ 检查隔膜是否正确安装。
阀座/通孔泄露	隔膜受损	▶ 更换隔膜。
控制介质从未连接的空气接口处泄漏	密封圈损坏	▶ 更换主轴密封圈和活塞密封圈。
排气时控制介质泄漏	密封圈和隔膜损坏	▶ 更换主轴密封圈和活塞密封圈。
配件未按指定上升或未关闭/打开	未正确选择控制压力水平 控制介质的功能与连接不匹配 通风管和排气管存在缺陷	▶ 检查控制压力。 ▶ 检查功能 (FC, FO, DA) 和相关连接。 ▶ 检查排气管和通风管是否正常工作。
隔膜阀未完全打开	隔膜未正确安装/对齐	▶ 检查隔膜是否正确安装。
隔膜阀未完全关闭	管道系统中的压力过高 隔膜和阀体间存在异物 有缺陷的部件	▶ 仅在规定的数值范围内操作阀门。 ▶ 拆除异物，检查阀体和隔膜是否损坏。 ▶ 检查阀体和隔膜的受损情况，必要时更换。
阀门启闭迟缓	主轴或密封圈存在磨损	▶ 更换密封圈，必要时更换功能部件。
管道和/或隔膜阀变形或膨胀	管道应力过大	▶ 改善对管道的支撑。
隔膜阀或个别零件过早出现磨损	材料不够稳定 介质受到污染	▶ 选择合适的材料，参见 Georg Fischer 规划基础行业。 ▶ 检查/清洁介质的污染情况。
隔膜过早磨损	控制压力过高 控制介质的功能与连接不匹配 未选择适合介质压力的驱动器 不干净的通风孔	▶ 根据相关控制压力图选择控制压力。 ▶ 检查功能 (FC, FO, DA) 和相关连接。 ▶ 选择合适的驱动器类型。 ▶ 检查并清洁顶部通风孔。
壳体螺母上出现白色变色	化学损害	▶ 根据所有规定的安全准则，立即更换隔膜和所有磨损部件。

9 附件和备件

⚠ 小心！

不要对产品进行任何更改！

由于对产品或不兼容性备件进行修改，造成材料损坏和/或有受伤风险。

- ▶ 确保装置/设备安全，防止意外操作。
- ▶ 不使用存在缺陷的备件。

⚠ 小心！

备件有误！

只有 Georg Fischer 管道系统阀门型号指定的原厂备件才能用于进行更换。

- ▶ 仅使用 Georg Fischer 管道系统原厂备件，其规格符合铭牌的要求。

9.1 备件

- 带有 AgNi 和 Au 开关类型的电动反馈信号装置
- 改为耐压型外壳
- 带式扳手
- 压力先导阀：型号 PV94/95、MNL532、5470

10 清洁

- ▶ 在处理不同材料之前，按照可回收垃圾、普通垃圾和特殊垃圾进行分类。
- ▶ 在处理或回收产品时，单个部件和包装时，要遵守当地的法律法规和条例。
- ▶ 遵守国家特定的法规、标准和指令。

警告！

受污染的部件！

产品的部件可能会被有害健康和环境的介质污染，因此简单的清洁是不够的！这些介质可能会造成人身伤害和环境污染。处理产品前：

- ▶ 收集泄漏的介质并按照当地法规进行处理。
- ▶ 查阅所用介质的安全数据表。
- ▶ 中和产品中的所有介质残留物。
- ▶ 根据当地法规对材料（塑料、金属等）进行分类和处理。

Worldwide at home

Our sales companies and representatives ensure local customer support in more than 100 countries.

www.gfps.com

Argentina / Southern South America

Georg Fischer Central Plastics Sudamérica S.R.L.
Buenos Aires / Argentina
Phone +54 11 4512 02 90
gfcentral.ps.ar@georgfischer.com
www.gfps.com/ar

Australia

Georg Fischer Pty Ltd
Riverwood NSW 2210
Phone +61 (0) 2 9502 8000
australia.ps@georgfischer.com
www.gfps.com/au

Austria

Georg Fischer Rohrleitungssysteme GmbH
3130 Herzogenburg
Phone +43 (0) 2782 856 43-0
austria.ps@georgfischer.com
www.gfps.com/at

Belgium / Luxembourg

Georg Fischer NV/SA
1600 Sint-Pieters-Leeuw / Belgium
Phone +32 (0) 2 556 40 20
Fax +32 (0) 2 524 34 26
be.ps@georgfischer.com
www.gfps.com/be

Brazil

Georg Fischer Sist. de Tub. Ltda.
04571-020 São Paulo/SP
Phone +55 (0) 11 5525 1311
br.ps@georgfischer.com
www.gfps.com/br

Canada

Georg Fischer Piping Systems Ltd
Mississauga, ON L5T 2B2
Phone +1 (905) 670 8005
Fax +1 (905) 670 8513
ca.ps@georgfischer.com
www.gfps.com/ca

China

Georg Fischer Piping Systems Ltd
Shanghai 201319
Phone +86 21 3899 3899
china.ps@georgfischer.com
www.gfps.com/cn

Denmark / Iceland

Georg Fischer A/S
2630 Taastrup / Denmark
Phone +45 (0) 70 22 19 75
info.dk.ps@georgfischer.com
www.gfps.com/dk

Finland

Georg Fischer AB
01510 Vantaa
Phone +358 (0) 9 586 58 25
Fax +358 (0) 9 586 58 29
info.fi.ps@georgfischer.com
www.gfps.com/fin

France

Georg Fischer SAS
95932 Roissy Charles de Gaulle Cedex
Phone +33 (0) 1 41 84 68 84
fr.ps@georgfischer.com
www.gfps.com/fr

Germany

Georg Fischer GmbH
73095 Albershausen
Phone +49 (0) 7161 302 0
info.de.ps@georgfischer.com
www.gfps.com/de

India

Georg Fischer Piping Systems Pvt. Ltd
400 083 Mumbai
Phone +91 22 4007 2000
Fax +91 22 4007 2020
branchoffice@georgfischer.com
www.gfps.com/in

Indonesia

PT Georg Fischer Indonesia
Karawang 41371, Jawa Barat
Phone +62 267 432 044
Fax +62 267 431 857
indonesia.ps@georgfischer.com
www.gfps.com/id

Italy

Georg Fischer S.p.A.
20864 Agrate Brianza (MB)
Phone +39 02 921 86 1
Fax +39 02 921 86 24 7
it.ps@georgfischer.com
www.gfps.com/it

Japan

Georg Fischer Ltd
530-0003 Osaka
Phone +81 (0) 6 6341 2451
jp.ps@georgfischer.com
www.gfps.com/jp

Korea

Georg Fischer Korea Co. Ltd
Unit 2501, U-Tower
120 Heungdeok Jungang-ro
(Yeongdeok-dong)
Giheung-gu, Yongin-si, Gyeonggi-do
Phone +82 31 8017 1450
Fax +82 31 217 1454
kor.ps@georgfischer.com
www.gfps.com/kr

Malaysia

George Fischer (M) Sdn. Bhd.
41200 Klang, Selangor Darul Ehsan
Phone +60 (0) 3 3122 5585
Fax +60 (0) 3 3122 5575
my.ps@georgfischer.com
www.gfps.com/my

Mexico / Northern Latin America

Georg Fischer S.A. de C.V.
CP 66603 Apodaca, Nuevo León / Mexico
Phone +52 (81) 1340 8586
Fax +52 (81) 1522 8906
mx.ps@georgfischer.com
www.gfps.com/mx

Middle East

Georg Fischer Piping Systems (Switzerland) Ltd
Dubai / United Arab Emirates
Phone +971 4 289 49 60
gcc.ps@georgfischer.com
www.gfps.com/int

Netherlands

Georg Fischer N.V.
8161 PA Epe
Phone +31 (0) 578 678 222
nl.ps@georgfischer.com
www.gfps.com/nl

New Zealand

Georg Fischer Ltd
5018 Upper Hutt
Phone +04 527 9813
Fax +04 527 9834
nz.ps@georgfischer.com
www.gfps.com/nz

Norway

Georg Fischer AS
1351 Rud
Phone +47 67 18 29 00
no.ps@georgfischer.com
www.gfps.com/no

Philippines

Georg Fischer Pte. Ltd.
Philippines Representative Office
1500 San Juan City
Phone +632 571 2365
Fax +632 571 2368
sgp.ps@georgfischer.com
www.gfps.com/sg

Poland

Georg Fischer Sp. z o.o.
05-090 Sekocin Nowy
Phone +48 (0) 22 31 31 0 50
poland.ps@georgfischer.com
www.gfps.com/pl

Romania

Georg Fischer Piping Systems (Switzerland) Ltd
020257 Bucharest - Sector 2
Phone +40 (0) 21 230 53 80
ro.ps@georgfischer.com
www.gfps.com/int

Russia

Georg Fischer Piping Systems (Switzerland) Ltd
Moscow 125040
Phone +7 495 748 11 44
ru.ps@georgfischer.com
www.gfps.com/ru

Singapore

George Fischer Pte Ltd
528 872 Singapore
Phone +65 6747 0611
Fax +65 6747 0577
sgp.ps@georgfischer.com
www.gfps.com/sg

Spain / Portugal

Georg Fischer S.A.
28046 Madrid / Spain
Phone +34 (0) 91 781 98 90
es.ps@georgfischer.com
www.gfps.com/es

Sweden

Georg Fischer AB
117 43 Stockholm
Phone +46 (0) 8 506 775 00
info.se.ps@georgfischer.com
www.gfps.com/se

Switzerland

Georg Fischer Rohrleitungssysteme (Schweiz) AG
8201 Schaffhausen
Phone +41 (0) 52 631 3026
ch.ps@georgfischer.com
www.gfps.com/ch

Taiwan

Georg Fischer Co. Ltd
San Chung Dist., New Taipei City
Phone +886 2 8512 2822
Fax +886 2 8512 2823
www.gfps.com/tw

United Kingdom / Ireland

George Fischer Sales Limited
Coventry, CV2 2ST / United Kingdom
Phone +44 (0) 2476 535 535
uk.ps@georgfischer.com
www.gfps.com/uk

USA / Caribbean

Georg Fischer LLC
92618 Irvine, CA / USA
Phone +1 714 731 8800
Fax +1 714 731 6201
us.ps@georgfischer.com
www.gfps.com/us

Vietnam

Georg Fischer Pte Ltd
Representative Office
Ho Chi Minh City
Phone +84 28 3948 4000
Fax +84 28 3948 4010
sgp.ps@georgfischer.com
www.gfps.com/vn

International

Georg Fischer Piping Systems (Switzerland) Ltd
8201 Schaffhausen / Switzerland
Phone +41 (0) 52 631 3003
Fax +41 (0) 52 631 2893
info.export@georgfischer.com
www.gfps.com/int

The information and technical data (altogether "Data") herein are not binding, unless explicitly confirmed in writing. The Data neither constitutes any expressed, implied or warranted characteristics, nor guaranteed properties or a guaranteed durability. All Data is subject to modification. The General Terms and Conditions of Sale of Georg Fischer Piping Systems apply.