

Electric position indicator ER52/53



General

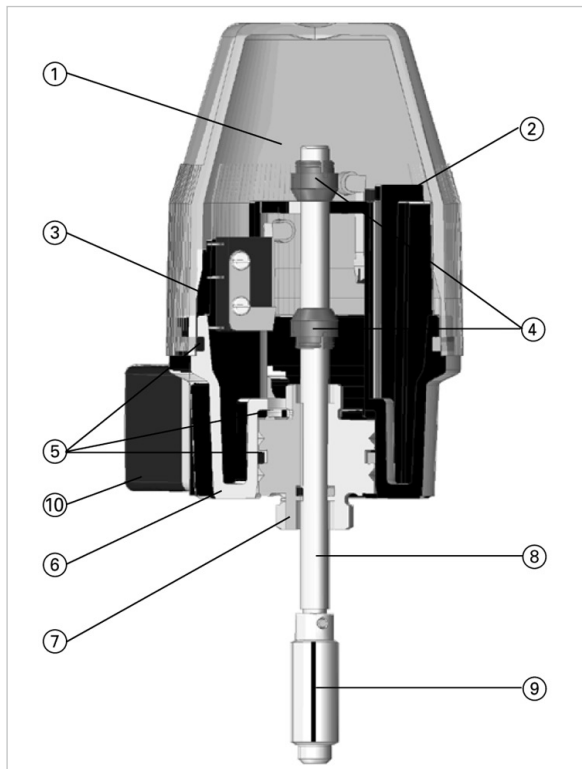
The electrical position indicator is used to indicate the valve position of GF diaphragm valves type DIASTAR. The position indicator can be screwed directly onto the diaphragm valve type DIASTAR.

- For pneumatic stroke actuators
- For DIASTAR Ten, Ten Plus, Sixteen, 025
- Mechanical switches (AgNi or Au)
- NPN/PNP, NAMUR
- With optical position indicator

Insert

- Type ER52 d20 – 63 DN15 – DN50
- Type ER53 d75 – 160 DN65 – DN150

Design of the position indicator Type ER52 (DN15 – 50) type ER53 (DN65 – DN150)



- 1 Cover SAN
- 2 Microswitch Closed
- 3 Microswitch Open
- 4 Cams PA
- 5 O-ring NBR
- 6 Housing PP
- 7 Brass base
- 8 Spindling of stainless steel
- 9 Connecting piece stainless steel (differs depending on actuator size)*
- 10 Unit plug 3P + E/EN 43650
- * Connecting pieces

	1/2	3	4	5
d	12 mm	16 mm	16 mm	16 mm
7				

Electrical connections

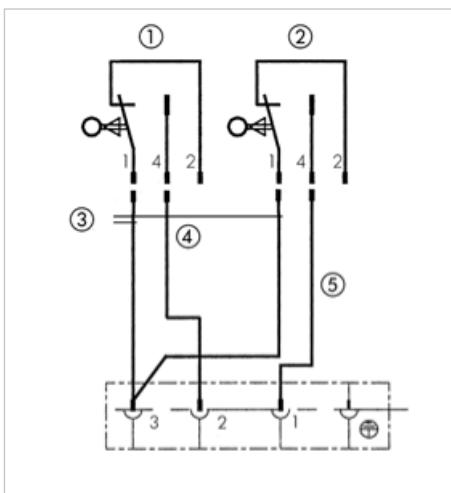
The position indicator is connected in standard version with unit plug.

Electric position indicator type ER52 / ER53

Type	Type of switch	Switching capacity
ER52-1	ER53-1	Microswitch AgNi
ER52-2	ER53-2	Microswitch with gold-plated Au
ER52-3	ER53-3	Inductive switch NPN
ER52-4	ER53-4	Inductive switch PNP
ER52-5	ER53-5	Inductive switch NAMUR
ER52-6	ER53-6	Microswitch Eexd
ER52-7	ER53-7	Analog position sensor

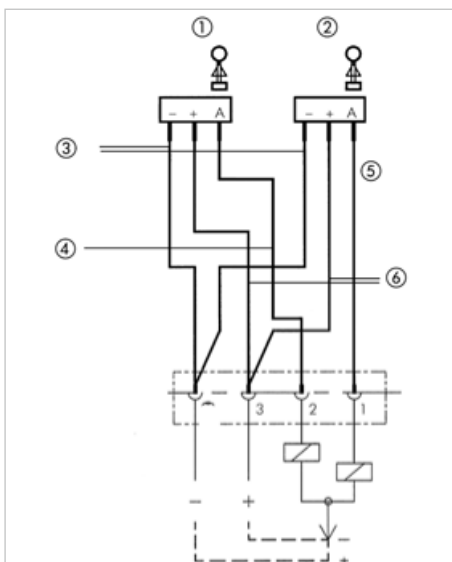
Connection diagrams

ER52-1, ER52-2, ER53-1, ER53-2



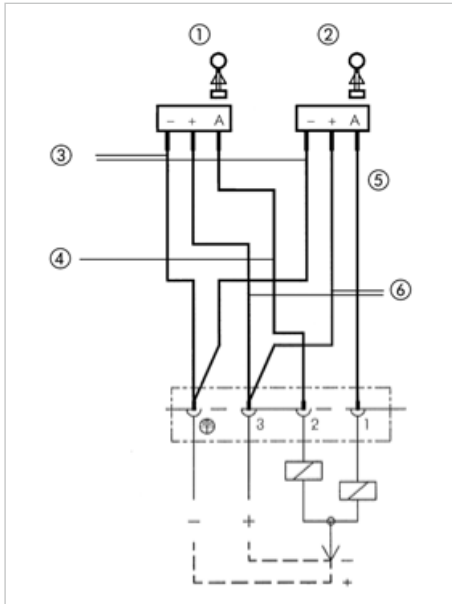
- 1 Closed
- 2 Opened
- 3 Black
- 4 White
- 5 Red

ER52-3, ER52-4



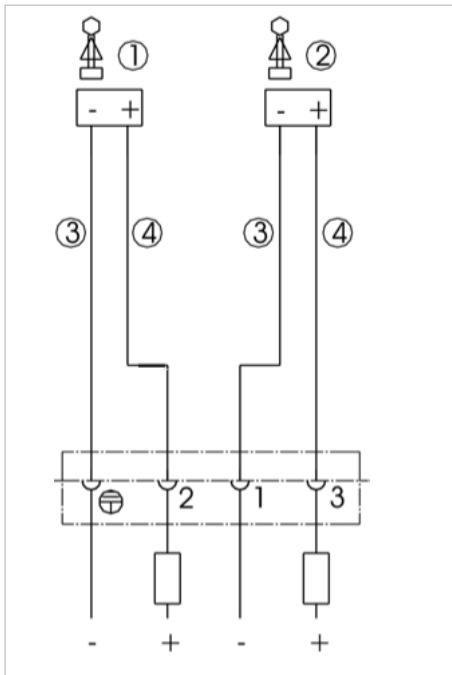
- 1 Closed
- 2 Opened
- 3 Blue
- 4 Black
- 5 Black
- 6 Brown

ER53-3, ER53-4



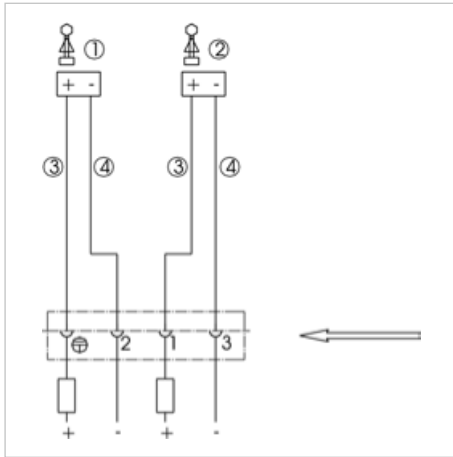
- 1 Closed
- 2 Opened
- 3 White
- 4 Red
- 5 Green
- 6 Black

ER52-5



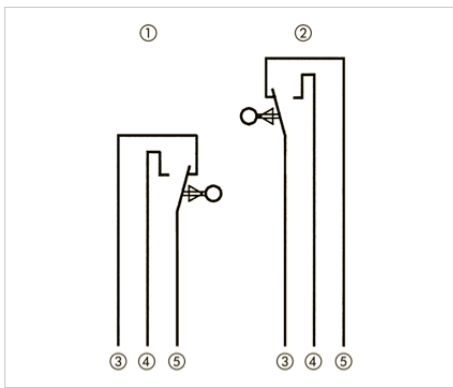
- 1 Closed
- 2 Opened
- 3 Blue
- 4 Brown

ER53-5



- 1 Closed
- 2 Opened
- 3 Black
- 4 White

ER52-6, ER53-6



- 1 Closed
- 2 Opened
- 3 Green
- 4 Brown
- 5 White

Actuator sizes DIASTAR DN15 – DN50

DN (mm)	Six – FC	Ten – FC	Sixteen – FC	Ten – FO/DA
15	1	1	2	1
20	2	2	2	2
25	2	2	3	2
32	3	3	4	3
40	3	4	5	4
50	3	4	5	4

i For more information on pneumatic Stroke actuator DIASTAR, see Planning Fundamentals, chapter „Pneumatic diaphragm valve“.

The information and technical data (altogether "Data") herein are not binding, unless explicitly confirmed in writing. The Data neither constitutes any expressed, implied or warranted characteristics, nor guaranteed properties or a guaranteed durability. All Data is subject to modification. The General Terms and Conditions of Sale of Georg Fischer Piping Systems apply.

11/2024-A

© Georg Fischer Piping Systems Ltd, 8201 Schaffhausen/Switzerland
Tel. +41 52 631 11 11 • www.gfps.com • E-Mail: info.ps@georgfischer.com