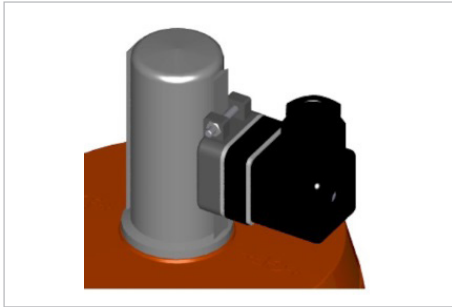


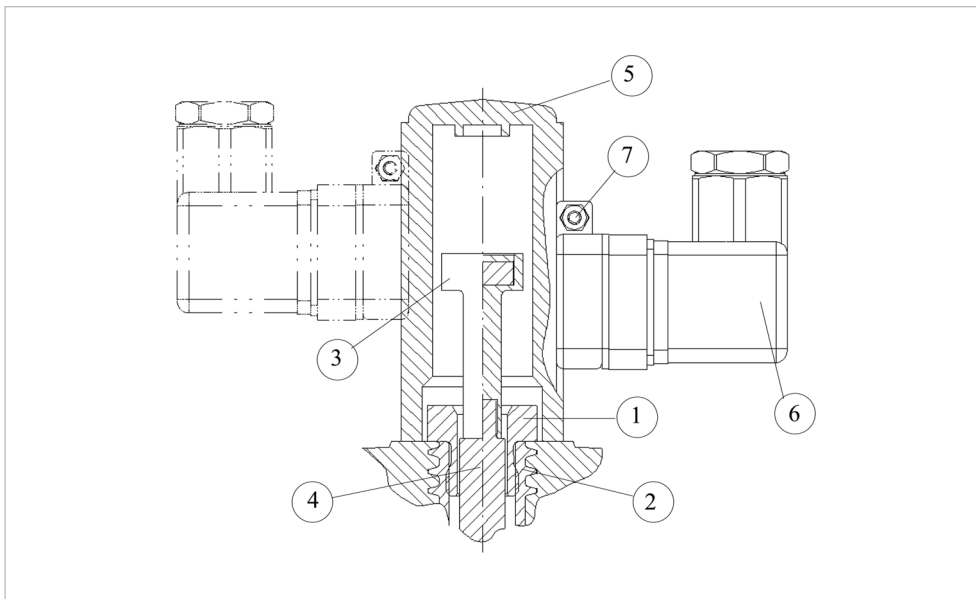
Electric position indicator type ER55



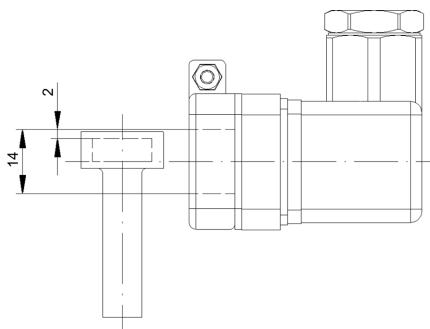
General

Electric position indicators are used to signal the valve positions. The GF position indicator type ER55 can be screwed directly into the diaphragm valve series DIASTAR type Ten and Sixteen and can indicate a valve position, open or closed. The switching point can be easily set with the adjustable Reed contact.

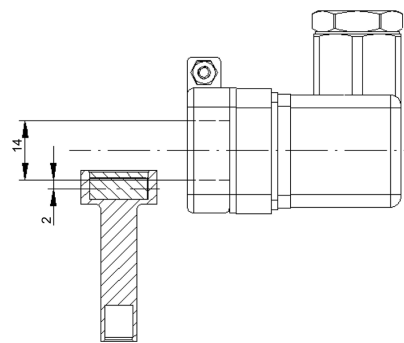
Design



- ① Adaptors
 - ② Insert
 - ③ Magnetic holder
 - ④ Position indicator
 - ⑤ Cover
 - ⑥ Reed contact
 - ⑦ Screw
- Valve OPEN contact open
Valve CLOSED contact closed



Valve in OPEN position



Valve in CLOSED position

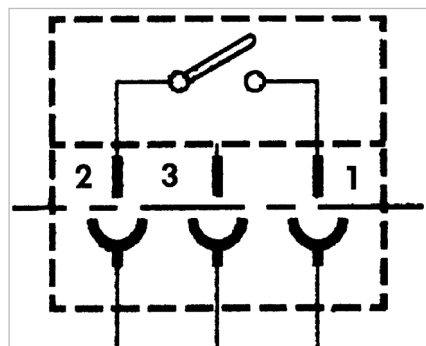
Technical data

Technical data	
Rated voltage	250 V, 50 – 60 Hz max.
Max. continuous current	200 mA
Peak-switch-on current	500 mA (use contact protection relay in case of inductive load)
Contact fitted	Monostable Reed contact
Electrical connection	Standard plug DIN EN 175301-803
Protection class	IP65 as per IEC EN 60529

Dimensions

	Product	Height X (mm)
	199 190 462	75
	199 190 464	48

Connection wiring diagram



The information and technical data (altogether "Data") herein are not binding, unless explicitly confirmed in writing. The Data neither constitutes any expressed, implied or warranted characteristics, nor guaranteed properties or a guaranteed durability. All Data is subject to modification. The General Terms and Conditions of Sale of Georg Fischer Piping Systems apply.

10/2021-A
 © Georg Fischer Piping Systems Ltd, 8201 Schaffhausen/Switzerland
 Tel. +41 52 631 11 11 • www.gfps.com • E-Mail: info.ps@georgfischer.com