

AS Interface

The Topmatic

AS interface type Topomatic for DIASTAR DN15 – DN150



The As-i controller enables modern and easy bus communication. The controller contains all the necessary electric and pneumatic components. Only the compressed air supply and cabling to the AS interface flat cable must be provided.

Technical data	
Housing materials	POM (black)
Cover material	PC (transparent brown)
Gasket	NBR
Power supply	31.6 V DC (ASi voltage)
Connector	M12 x 1 (4-pin)
AS interface specification	3.0
AS interface profile	S-3/ A.0.E
Power consumption	3.5 Watt
Protection class	IP67

ASCV 2300-11

AS interface type ASVC 2300-11 for PA11/21 and PA30 – PA90



Technical data	
Housing materials	POM (black)
Cover material	PC (gray)
Gasket	NBR
Power supply	31.6 V DC (ASi voltage)
Connector	M12 x 1 (4-pin)
AS interface specification	3.0
AS interface profile	S-7/ A.0.E
Power consumption	1.9 Watt
Protection class	IP67

i For more information on ASi, see Planning Fundamentals, chapter „AS Interface“.

Limit switch boxes



General

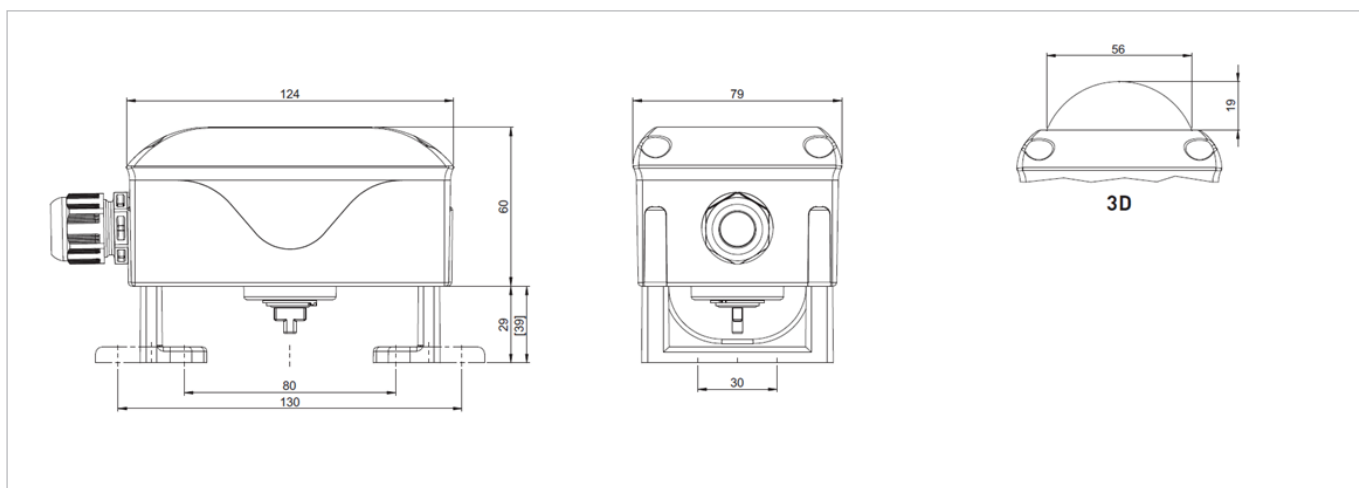
Plastic limit switches boxes for simple position feedback on actuator position (open/closed). The housing can be populated with various types of limit switches.

- Compact and flexible limit switch box made of polyamide (PA6) with a cover made of polycarbonate (PC) and 3D display
- Adjustable polyamide assembly bridge (PA6) 30 % fiberglass-reinforced, for simple installation in normal actuators according to VDI/VDE 3845
- Hole patterns: 80 x 30 mm and 130 x 30 mm (optional: 50 x 25 mm)
- Shaft heights: 20 and 30 mm
- Leak-tightness IP67 according to DIN EN 60529
- Cable threaded connection M20 x 1.5 black (for cable \varnothing 6 – 12 mm)
- Gaskets EPDM and NBR, stainless steel screws 1.4301, shaft polyamide PA6

Application

- Standard applications not in explosive environments
- 1 – 4 mechanical limit switches or inductive sensors in V3 version
- 1 – 3 slot initiators
- 1 – 2 cylindrical sensors \varnothing 8 – 18 mm

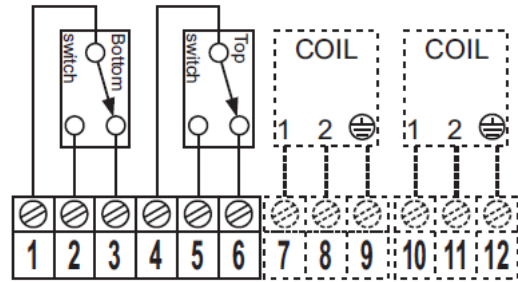
Dimensions



Technical data

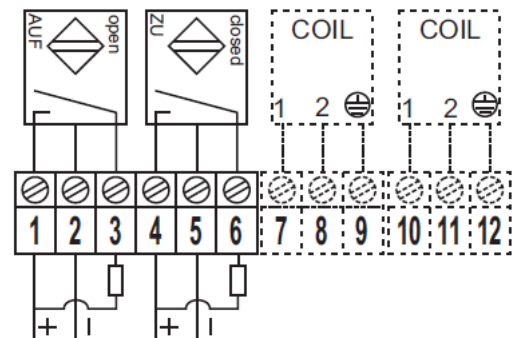
Wave box with mechanical toggle switches SPDT M001

Limit switch make	CHERRY	CHERRY
Limit switch type	D44X	D41X
Voltage	24-250V	24-250V
Maximum current	AC: 250V, 10A DC: 24V, 2,5A	AC: 250V, 0,1A DC: 24V, 0,1A
Contacts	Silver	Gold
SIL level	SIL 1-3 (IEC 61508:2010)	SIL 1-3 (IEC 61508:2010)
Temperature	(-40°C) -25°C ... +80°C	(-40°C) -25°C ... +80°C
Approvals	UL available upon request	UL available upon request



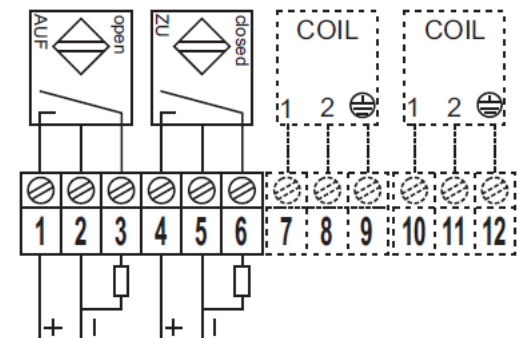
Wave box with inductive proximity switches, 3-wire NPN I006

Limit switch make	P+F	
Limit switch type	NBB2-V3-E0 (NPN N.O.)	
Voltage	10-30V DC	
Current consumption	100 mA	
Switching frequency	1000 Hz	
No-load current	15 mA	
Display	LED yellow	
Switch protection rating (IP code)	IP67	
Temperature	-25°C ... +70°C	



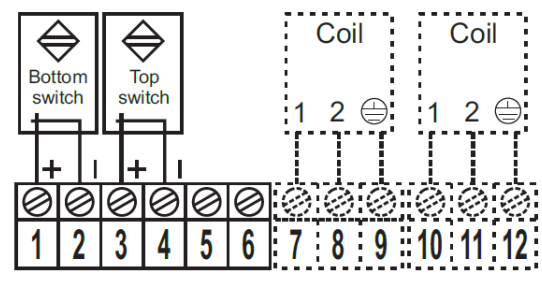
Wave box with inductive proximity switches, 3-wire PNP I001

Limit switch make	P+F	IFM
Limit switch type	NBB2-V3-E2 (PNP N.O.)	IS5001 (PNP N. O.)
Voltage	10-30V DC	10-36 V DC
Current consumption	100 mA	0-200 mA
Switching frequency	1000 Hz	800 Hz
No-load current	15 mA	15 mA
Display	LED yellow	LED yellow
Switch protection rating (IP code)	IP67	IP67
Temperature	-25°C ... +70°C	-25°C ... +80°C

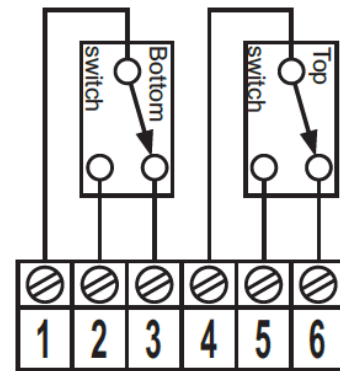


Wave box with inherently safe, inductive proximity switches I007, I017

Limit switch make	P+F	
Limit switch type	NJ2-V-3-N (open N.C.)	
Voltage	8,2V DC	
Current consumption	< 1 mA > 3mA	
Switching frequency	1000 Hz	
SIL Level	SIL 1-3 (IEC 61508:2010)	
Ambient temperature	-25°C ... +70°C	
ATEX/IECEX	II 2G Ex ia IIC T6 Gb II 2D Ex ia IIIC T80°C Db	
EC type examination certificate	IBExU 11 ATEX 1154 IECEX IBE 13.0042	
Ex zone	Zone 1, zone 21	



Wave box with mechanical toggle switches Ex d		M023, M019
Limit switch make	Bartec	
Limit switch type	07-1511-1530	
Function	Changer N.O./N.C.	
Contacts	Silver	
Voltage, current consumption	DC 24 V, 150 mA AC: 250V, 4A	
SIL Level	SIL 1-3 (IEC 61508:2010)	
Ambient temperature	Vestamid: -20 °C – +40 °C Aluminum: (-55 °C) -20 °C – +60 °C	
ATEX/IECEX	II 2G Ex de IIC T6 Gb II 2D Ex t IIIC T80°C Db	
EC type examination certificate	IBExU 12 ATEX 1022 X IECEX IBE 13.0041 X	
Ex zone	Zone 1, zone 21	



The information and technical data (altogether "Data") herein are not binding, unless explicitly confirmed in writing. The Data neither constitutes any expressed, implied or warranted characteristics, nor guaranteed properties or a guaranteed durability. All Data is subject to modification. The General Terms and Conditions of Sale of Georg Fischer Piping Systems apply.

10/2021-A
 © Georg Fischer Piping Systems Ltd, 8201 Schaffhausen/Switzerland
 Tel. +41 52 631 11 11 • www.gfps.com • E-Mail: info.ps@georgfischer.com