

## Flow Integral Systems with type 9900 Transmitter

Member of the SmartPro® Family of Instruments



### Product description

GF has combined the 9900 SmartPro® Transmitter with the 515/8510 and 2536/8512 Paddlewheel Flow sensors to create integral systems that are easy to order and simple to install. Integral systems are also available in conductivity, level, temperature, and pressure configurations.

Each integral system features a 9900 Transmitter which provides a local and easy to read LCD display. The push button keypad makes it easy to navigate through the transmitter's menu. The DC-powered 9900 features a scalable 4 to 20 mA output and open collector for process control.

Flow Integral Systems with 9900 Transmitters are combined with GF's field-proven Models 515/8510 and 2536/8512. These sensors reliably perform in flow ranges from 0.3 to 6 m/s (1 to 20 ft/s) and 0.1 to 6 m/s (0.3 to 20 ft/s) respectively for pipe sizes from ½ to 8 inches. They are available in a variety of materials including polypropylene and PVDF and are easily mounted in the pipe using GF's comprehensive line of standard fittings.

### Features

- Local display for sensor mounted instruments
- Provides 4 to 20 mA output
- "At a glance" visibility
- "Dial-type" digital bar graph
- NEMA 4X/IP65

### Applications

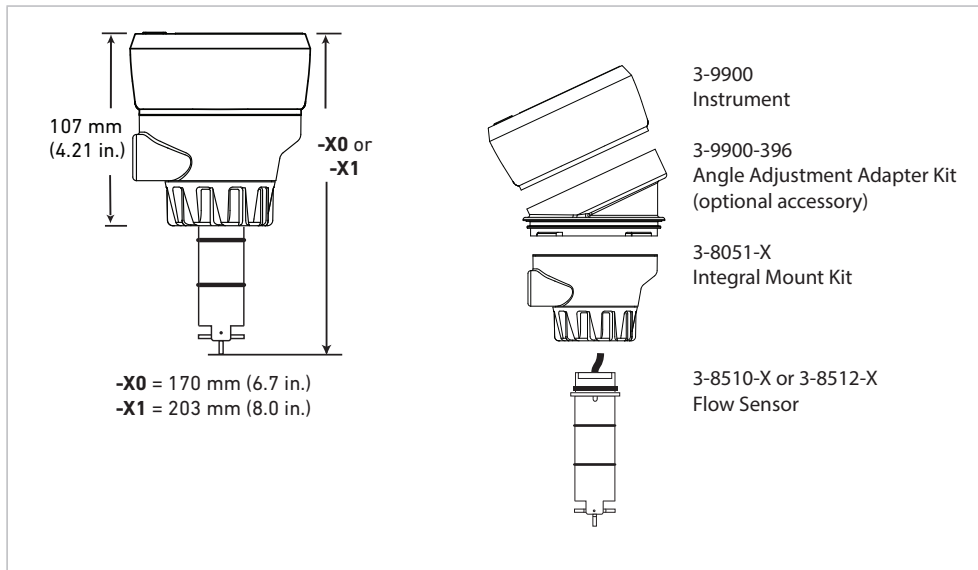
- RO/DI System Control
- Cooling Tower Control
- Water Quality Monitoring
- Filtration Systems
- Chemical Production
- Liquid Delivery Systems
- Pump Protection
- Scrubber Systems
- Semiconductor Water Production



## Technical Details

**i** See individual product pages for more information.

### Dimensions



## System Overview

### Integral Installation

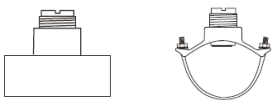
Type 9900 Transmitter  
With 3-8051-X Integral Mount Kit and 3-9900.396 Angle Adapter



GF Sensor  
3-8510-XX  
3-8512-XX



Customer supplied standard 3/4 in fittings



All sold separately

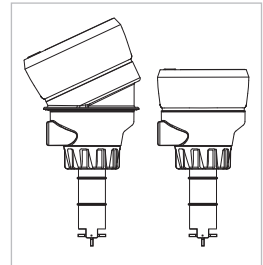
## Ordering Information

### Ordering Notes

Integral Mounts are available with all parts conveniently assembled (transmitter, sensor, and mounting kit). Alternatively, all three parts can be purchased separately. See individual transmitter and sensor pages for more information.

Mfr. Part No./Code	Instrument + Sensor	Angle adapter	Pipe Size	Sensor Body Material	Sensor Rotor/Pin Material
159 002 234	3-9900-1 w/3-8510-P0	yes	½ to 4 in.	Polypropylene	Black PVDF/Titanium
159 002 235	3-9900-1 w/3-8510-H0	yes	½ to 4 in.	Polypropylene	Black PVDF/Hastelloy-C
159 002 236	3-9900-1 w/3-8510-S0	yes	½ to 4 in.	Polypropylene	Black PVDF/Natural PVDF
159 002 237	3-9900-1 w/3-8510-T0	yes	½ to 4 in.	PVDF Natural	Natural PVDF/Natural PVDF
159 002 238	3-9900-1 w/3-8510-P1	yes	5 to 8 in.	Polypropylene	Black PVDF/Titanium
159 002 239	3-9900-1 w/3-8512-P0	yes	½ to 4 in.	Polypropylene	Black PVDF/Titanium
159 002 240	3-9900-1 w/3-8512-H0	yes	½ to 4 in.	Polypropylene	Black PVDF/Hastelloy-C
159 002 241	3-9900-1 w/3-8512-S0	yes	½ to 4 in.	Polypropylene	Black PVDF/Natural PVDF
159 002 242	3-9900-1 w/3-8512-V0	yes	½ to 4 in.	PVDF Natural	Natural PVDF/Hastelloy-C
159 002 243	3-9900-1 w/3-8512-T0	yes	½ to 4 in.	PVDF Natural	Natural PVDF/Natural PVDF
159 002 244	3-9900-1 w/3-8512-P1	yes	5 to 8 in.	Polypropylene	Black PVDF/Titanium
159 001 733*	3-9900-1 w/3-8510-P0	no	½ to 4 in.	Polypropylene	Black PVDF/Titanium
159 001 734*	3-9900-1 w/3-8510-H0	no	½ to 4 in.	Polypropylene	Black PVDF/Hastelloy-C
159 001 735*	3-9900-1 w/3-8510-S0	no	½ to 4 in.	Polypropylene	Black PVDF/Natural PVDF
159 001 736*	3-9900-1 w/3-8510-T0	no	½ to 4 in.	PVDF Natural	Natural PVDF/Natural PVDF
159 001 737*	3-9900-1 w/3-8510-P1	no	5 to 8 in.	Polypropylene	Black PVDF/Titanium
159 001 738*	3-9900-1 w/3-8512-P0	no	½ to 4 in.	Polypropylene	Black PVDF/Titanium
159 001 739*	3-9900-1 w/3-8512-H0	no	½ to 4 in.	Polypropylene	Black PVDF/Hastelloy-C
159 001 740*	3-9900-1 w/3-8512-S0	no	½ to 4 in.	Polypropylene	Black PVDF/Natural PVDF
159 001 741*	3-9900-1 w/3-8512-V0	no	½ to 4 in.	PVDF Natural	Natural PVDF/Hastelloy-C
159 001 742*	3-9900-1 w/3-8512-T0	no	½ to 4 in.	PVDF Natural	Natural PVDF/Natural PVDF
159 001 743*	3-9900-1 w/3-8512-P1	no	5 to 8 in.	Polypropylene	Black PVDF/Titanium

\*Only available in Europe.



## Accessoires

Mfr. Part	Code	Description
3-9900.396	159 001 701	Angle adjustment adapter kit
3-0252	159 001 808	Configuration Tool

The information and technical data (altogether "Data") herein are not binding, unless explicitly confirmed in writing. The Data neither constitutes any expressed, implied or warranted characteristics, nor guaranteed properties or a guaranteed durability. All Data is subject to modification. The General Terms and Conditions of Sale of Georg Fischer Piping Systems apply.

3-9900-Flow-099 Rev A

02/2025-A

© Georg Fischer Piping Systems Ltd, 8201 Schaffhausen/Switzerland

Tel. +41 52 631 11 11 • [www.gfps.com](http://www.gfps.com) • E-Mail: [info.ps@georgfischer.com](mailto:info.ps@georgfischer.com)