

Ball Valve 546 Pro

Labeling



Identify the ball valves in your piping systems clear and easy with the GF Ball Valve Labeling. Whether to comply with standards or for more clarity – you decide how to label your ball valves. Order the appropriate lever clip and print sheets now.

Benefits

- Increased safety for piping system and operator by labeling according to standards
- Improved efficiency of operation and maintenance
- Customised system identification

Specifications

- For GF Ball Valve Types 546 Pro, 523, 543 und 547
- Lever clip material: SAN
- Print sheet DIN A4: Polymer foil

Product features

- UV-, weather- and chemical resistant
- Can be labeled with laser printers or by hand

Transparent lever clips

Delivered in packs of 10 or 5 depending on the dimension.

Dimension [DN]	Dimension [inch]	Code	Quantity
DN10/15	3/8" – 1/2"	198 807 221	10 pc's
DN20/25	3/4" – 1"	198 807 222	10 pc's
DN32/40	1 1/4" – 1 1/2"	198 807 223	5 pc's
DN50	2"	198 807 224	5 pc's

Perforated print sheets for lever

Print sheets are available in two different packaging sizes.

Dimension [DN]	Dimension [inch]	Code	Quantity
DN10/15	3/8" – 1/2"	198 807 231	25 sheets with 48 labels
		198 807 241	100 sheets with 48 labels
		198 807 232	25 sheets with 24 labels
DN20/25	3/4" – 1"	198 807 242	100 sheets with 24 labels
		198 807 233	25 sheets with 18 labels
		198 807 243	100 sheets with 18 labels
DN32/40	1 1/4" – 1 1/2"	198 807 234	25 sheets with 11 labels
		198 807 234	100 sheets with 11 labels
		198 807 244	100 sheets with 11 labels
DN50	2"	198 807 244	100 sheets with 11 labels

Perforated print sheets for interface modul

Dimension [DN]	Dimension [inch]	Code	Quantity
DN 10 – 50	3/8" – 2"	198 807 230	25 Sheets with 81 labels

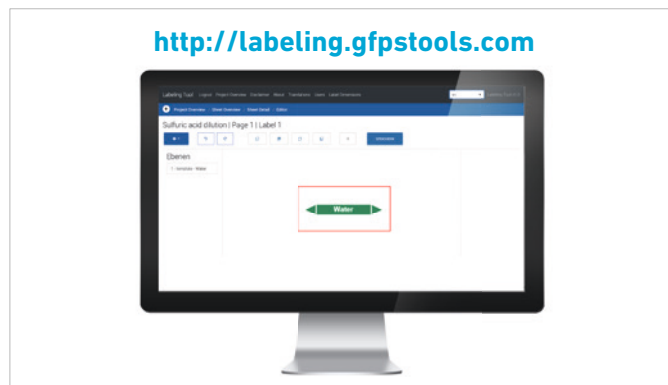
Get your individual label in just three steps

Tag your ball valve with a logo, function, medium or flow direction.

Step 1

Design your personalized label

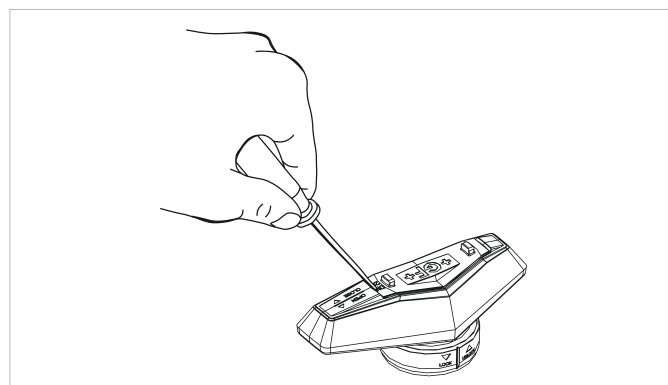
- Visit our labeling tool online:
<http://labeling.gfpstools.com>
- Customize the label according to your requirements
- In addition, flow-arrows and hazard symbols can be easily downloaded to design the labels



Step 2

Print your label

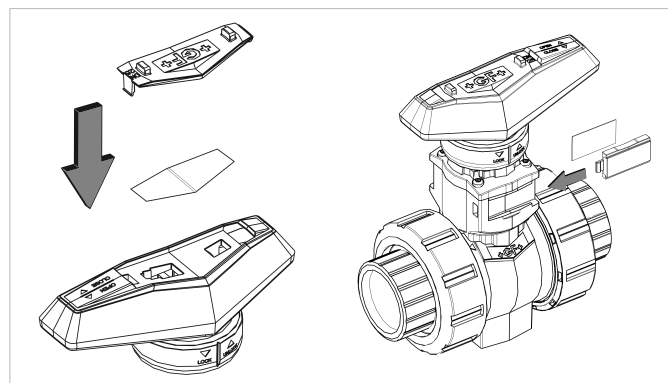
- Insert the print sheet according to the manufacturers description
- Print sheets can only be printed with laser printers
- Print sheets cannot be used a second time
- Can be labeled by hand as well



Step 3

Insert the label

- Detach labels from the print sheet
- Remove the back lever clip from the ball valve lever (see illustration)
- Insert the label in the cavity
- Install the transparent clip on the lever



The information and technical data (altogether "Data") herein are not binding, unless explicitly confirmed in writing. The Data neither constitutes any expressed, implied or warranted characteristics, nor guaranteed properties or a guaranteed durability. All Data is subject to modification. The General Terms and Conditions of Sale of Georg Fischer Piping Systems apply.

Your contact

Georg Fischer Piping Systems Ltd
Ebnatstrasse 111
8201 Schaffhausen / Switzerland
Telephone +41 (0) 52 631 11 11
www.gfps.com

