

# NeoFlow Automatic Control Valve



The NeoFlow pressure reducing valve from GF is a revolutionary design resulting in several advantages. The light weight design makes installing and servicing the valve much easier from traditional metal valves. This can turn a two person installation into a one person job saving time and money. The axial design allows for very low flow rates when compared to valves with a diaphragm. These low flow rates often eliminate the need to have two parallel valves on the same line. In many installations the high flow rates seen at peak times and the low flow rates seen at off peak times can be handled by a single valve. Like many Georg Fischer products, the NeoFlow utilizes premium polymers reducing corrosion. The simpler design with 1/10 the number of parts reduces maintenance costs giving servicers piece and mind reliable operation.

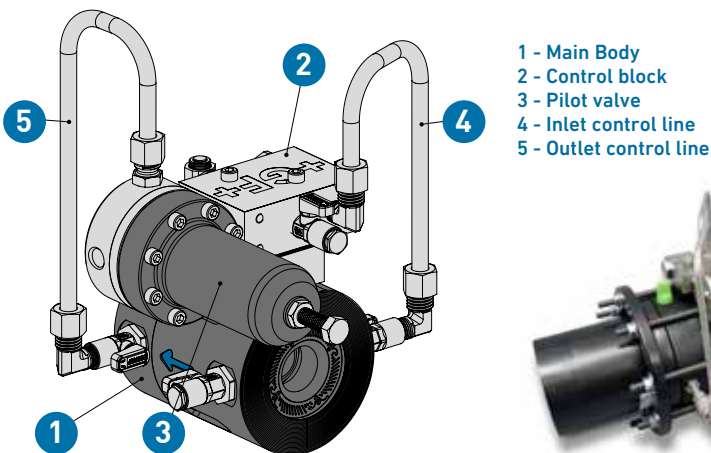
## Features & Benefits

- **Sizes 2"-12"**
- **Lower flow capabilities, 1/10 of traditional valves**
- **Lower maintenance, 1/10 parts of traditional valves**
- **Corrosion resistance polymer body**
- **Stainless Steel trim**
- **8 times lighter than traditional metal valve**
- **Easier and faster installation**
- **No stem to corrode or wear**
- **No diaphragm to wear**
- **Retrofit kits available**

## Applications

- **Potable water (NSF 61)**

Optional Spool piece for traditional valve retrofits



# Technical data

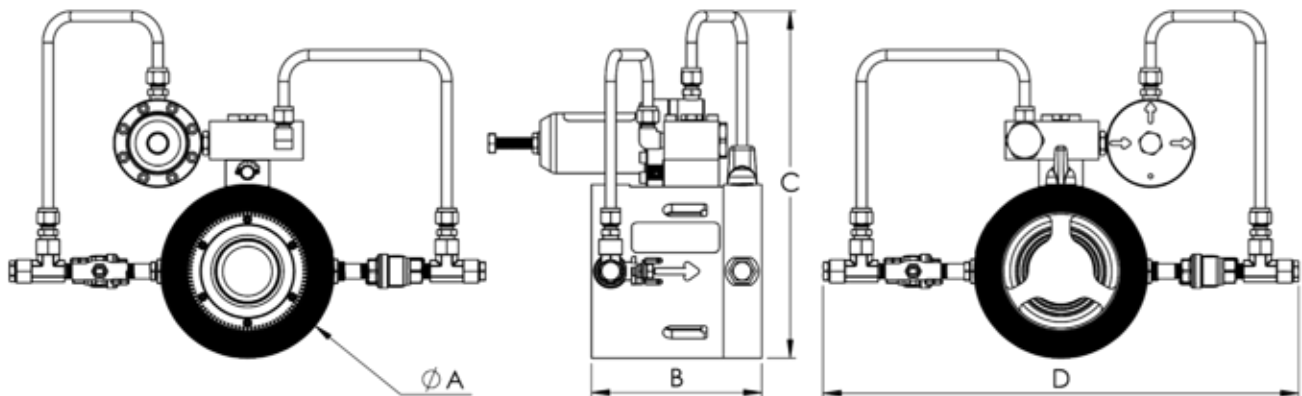
## Specifications

<b>Dimensions</b>	2" – 12"	
<b>Materials</b>	Housing	POM-C
	Piston	POM-C
	Elastomers	EPDM
	Fittings	Stainless steel
	Pilot control	Stainless steel, POM-C, PTFE
<b>Pressure ratings</b>	Maximum inlet pressure P1	232psig
	Maximum outlet pressure P2	232psig
	Outlet pressure range	1.5 - 230.5psig
	Minimal pressure difference P1– P2	1.5psig
<b>Flanges</b>	Imperial: ANSI 150	
<b>Valve actuation</b>	Pilot actuated; mechanical pilot valve	
<b>Classification acc. to ISO 1043</b>	POM	
<b>Standards</b>	NSF 61	
<b>UV Resistant</b>		

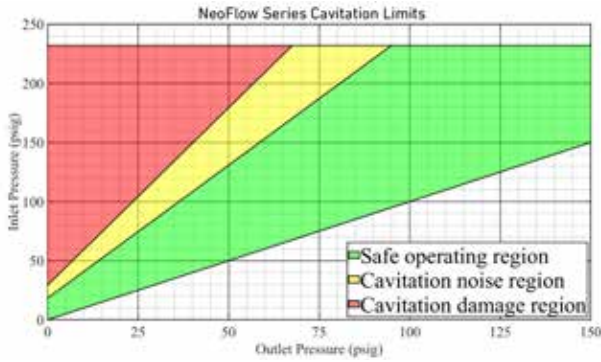
\*With medium temperature ≤ 68°F; >68°F on request

\*\*Depending on the pilot valve type

\*\*\*Depending on flow and size



Nominal Diameter (DN)	Diameter (A)	Length (B)	Height (C)	Width (D)	Weight (with Control System)
2"	4.1"	4.76"	10"	14.6"	10.8 lbs
3"	5.3"	5.31"	11.4"	15.8"	12 lbs
4"	6.2"	6.1"	12.2"	16.9"	15.2 lbs
6"	9"	8.98"	14.6"	19.7"	26.9 lbs
8"	10.7"	11.73"	16.9"	21.7"	46.3 lbs
10"	12.9"	13.7"	20.3"	23.6"	72.5 lbs
12"	15"	15.67"	21.85"	26.8"	108 lbs



NeoFlow Valve Size (Inch)	Cv (GPM)	Max Continuous Flow (GPM)	Max Intermittent Flow (GPM)	Min Flow (GPM)
2	46	209	262	0.16
3	95	461	577	0.35
4	176	795	993	0.6
6	392	1803	2254	1.4
8	653	3123	3903	2.3
10	894	4922	6152	3.69
12	1161	6986	8733	5.24

NeoFlow Valve Size (Inch)	Set-Point Range *14.5 to 130.5 Psig	Set-Point Range 72.5 to 166.7 Psig	Set-Point Range 101.5 to 225 Psig	Valve Weight (lbs)
2	193 174 011	193 174 411	193 174 611	10.8
3	193 174 013	194 174 413	194 174 613	12
4	193 174 014	195 174 414	195 174 614	15.2
6	193 174 017	196 174 417	196 174 617	26.9
8	193 174 020	197 174 420	197 174 620	46.3
10	193 174 022	198 174 422	198 174 622	72.5
12	193 174 023	199 174 423	199 174 623	108

\* Standard offering

**Water Temp °F	32 - 73	86	95	104	113	122	131
Maximum Pressure psig	232	220	210	199	162	132	107

\*\* NeoFlow can be used up to 158°F for intermittent scheduled maintenance purposes at low pressures only (<43psig)

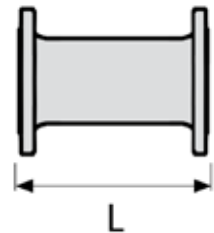
**Pressure ranges of the pilot valve springs**

Color coding Pilot valve spring	Pressure range Adjustable (psig)
Black*	14.5 - 131*
Blue	73 - 195
Green	102 - 230.5

\* Standard offering Note: Other springs available for lower pressure ranges.

**Spacer Size L Dimension**

	2"	3"	4"	6"	8"	10"	12"
Wilkins ZW209, Cla Val 90-01 Watts LFM115, Singer 106-PG / S106-PG	-	6.69	8.9	11.02	13.65	16.05	18.33
BERMAD 700 SIGMA EN	-	6.89	7.68	9.92	11.89	15.04	17.79
BERMAD 700 - Classic Y-Pattern	-	-	6.5	7.36	7.96	10.12	-

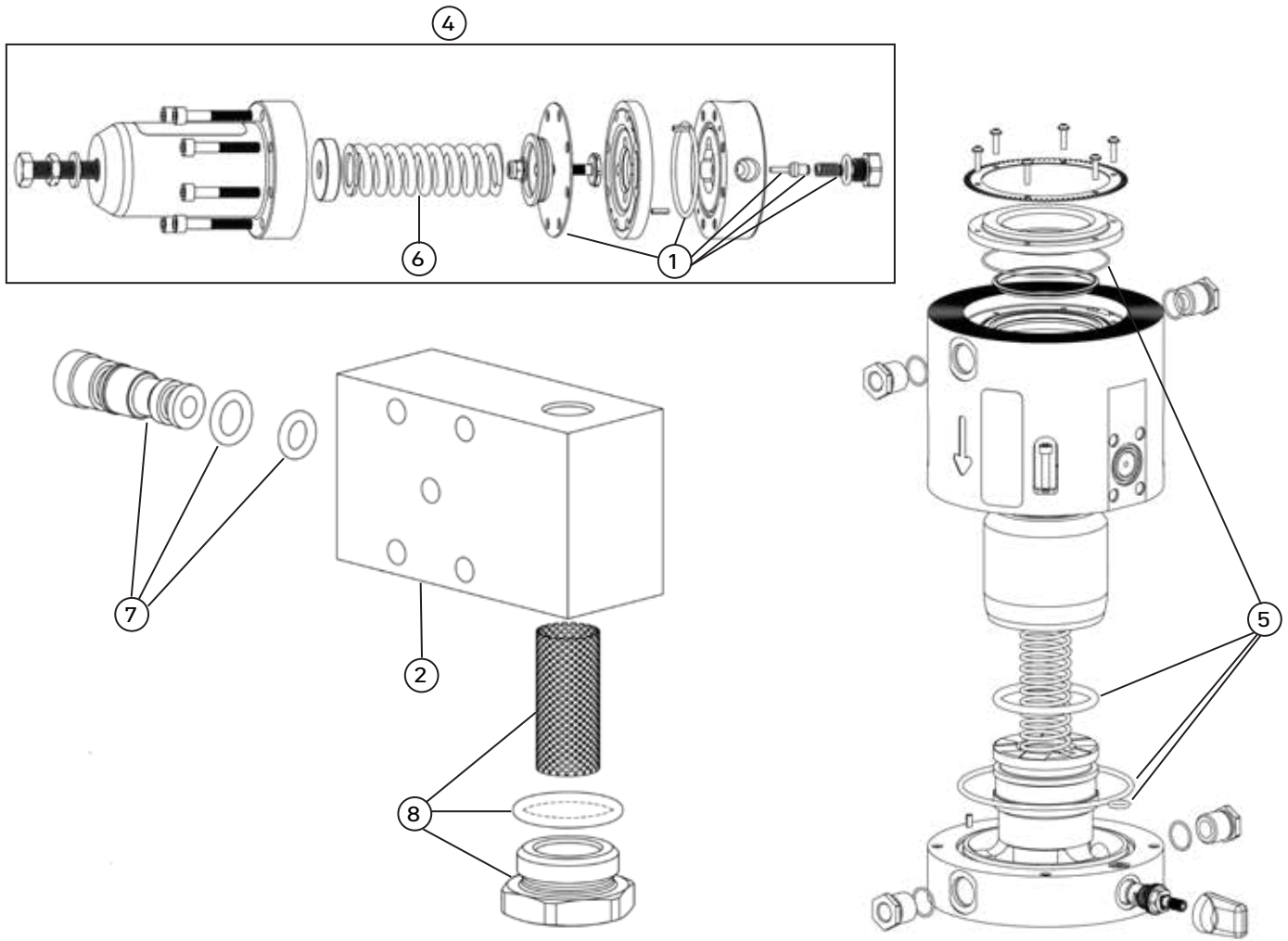


**HDPE Spacer Part Number**

	2"	3"	4"	6"	8"	10"	12"
Wilkins ZW209, Cla Val 90-01 Watts LFM115, Singer 106-PG / S106-PG	-	150174001	150174003	150174006	150174009	150174012	150174015
BERMAD 700 SIGMA EN	-	150174002	150174004	150174007	150174010	150174013	150174016
BERMAD 700 - Classic Y-Pattern	-	-	150174005	150174008	150174011	150174014	-

**Ductile Iron Spacer Part Number**

	2"	3"	4"	6"	8"	10"	12"
Wilkins ZW209, Cla Val 90-01 Watts LFM115, Singer 106-PG / S106-PG	-	150174017	150174019	150174022	150174025	150174028	150174031
BERMAD 700 SIGMA EN	-	150174018	150174020	150174023	150174026	150174029	150174032
BERMAD 700 - Classic Y-Pattern	-	-	150174021	150174024	150174027	150174030	-



No.	Code	Description
1	173021400	<b>Pilot Repair Kit</b> (Actuator, Actuator Pin, Spring, Diaphragm, O-Ring)
2	173021401	<b>Control block</b> (fully assembled)
3	173021402	<b>Ball valve</b> (2 pcs.)
4	173021403	<b>Pilot assembly</b> ( fully assembled)
5	173021404	<b>O-Ring kit 2"</b> (yellow marked)
5	173021405	<b>O-Ring kit 3"</b> (yellow marked)
5	173021406	<b>O-Ring kit 4"</b> (yellow marked)
5	173021407	<b>O-Ring kit 6"</b> (yellow marked)
5	173021408	<b>O-Ring kit 8"</b> (yellow marked)
5	173021409	<b>O-Ring kit 10"</b> (yellow marked)
5	173021410	<b>O-Ring kit 12"</b> (yellow marked)
6	173021423	<b>Spring, black</b>
6	173021424	<b>Spring, blue</b>
7	173021427	<b>Restrictor Kit</b> (yellow marked)
8	173021428	<b>Filter Kit</b> ( 60 Mesh Strainer, Control block strainer plug, BS119 Strainer)

## GF Piping Systems

Tel. (714) 731-8800, Toll Free (800) 854-4090, Fax (714) 731-6201  
 us.ps@georgfischer.com, www.gfpiping.com

M974 4pp Rev C (2/24)  
 ©Georg Fischer LLC  
 Printed in USA